



US00D473681S

(12) **United States Design Patent**
Thorpe

(10) **Patent No.:** **US D473,681 S**

(45) **Date of Patent:** **** Apr. 22, 2003**

(54) **COSMETIC CONTAINER WITH SLIDABLE TRAY**

DESCRIPTION

(75) Inventor: **Timothy Thorpe**, Chislehurst (GB)

(73) Assignee: **HCT Limited**, Hong Kong (CN)

(**) Term: **14 Years**

(21) Appl. No.: **29/171,432**

(22) Filed: **Nov. 22, 2002**

(51) **LOC (7) Cl.** **28-03**

(52) **U.S. Cl.** **D28/83**

(58) **Field of Search** D28/76-83; 132/293-307,
132/314, 315; 206/581, 823

(56) **References Cited**

U.S. PATENT DOCUMENTS

1,453,563	A	5/1923	Albert	
1,895,061	A	1/1933	Worssam	
2,582,593	A	1/1952	Kramer	88/92
D268,292	S *	3/1983	Chevassus	D28/83
4,555,020	A	11/1985	Campello et al.	206/235
4,744,376	A	5/1988	Verducci	132/82 C
D321,415	S	11/1991	Chen	D28/80
D338,279	S *	8/1993	Davis	D28/83
D345,826	S *	4/1994	Byars et al.	D28/83
5,337,890	A	8/1994	Lai	206/235
5,353,947	A	10/1994	Zinnbauer et al.	220/331
D433,539	S *	11/2000	Gavin	D28/78
6,363,947	B1	4/2002	Wu	132/297
D457,687	S *	5/2002	Millar	D28/83

* cited by examiner

Primary Examiner—Jennifer Rivard

(74) *Attorney, Agent, or Firm*—Norris, McLaughlin & Marcus

(57) **CLAIM**

The ornamental design for a cosmetic container with slid-able tray, as shown and described.

FIG. 1 is a top perspective view showing the first embodiment of my new design with its cover in a closed position and its slidable tray in an inward position;

FIG. 2 is a front end elevational view showing the cover in its closed position and the tray in its inward position;

FIG. 3 is a back end elevational view showing the cover in its closed position and the tray in its inward position;

FIG. 4 is a left side elevational view showing the cover in its closed position and the tray in its inward position;

FIG. 5 is a top plan view showing the cover in its closed position and the tray in its inward position;

FIG. 6 is a bottom plan view showing the cover in its closed position and the tray in its inward position;

FIG. 7 is a top perspective view showing the cover in its open position and the tray in its inward position;

FIG. 8 is a front end elevational view showing the cover in its open position and the tray in its inward position;

FIG. 9 is a back end elevational view showing the cover in its open position and the tray in its inward position;

FIG. 10 is a left side elevational view showing the cover in its open position and the tray in its inward position;

FIG. 11 is a top plan view showing the cover in its open position and the tray in its inward position;

FIG. 12 is a top perspective view showing the cover in its open position and the tray in its outward position;

FIG. 13 is a left side elevational view showing the cover in its open position and the tray in its outward position;

FIG. 14 is a top plan view showing the cover in its open position and the tray in its outward position;

FIG. 15 is a bottom plan view showing the cover in its open position and the tray in its outward position; and,

FIG. 16 is a top perspective view of the second embodiment of my design showing the cover in its open position and the tray in its outward position. With the exception of the make-up shown in the three containers, all other views of the second embodiment are identical to the first embodiment.

1 Claim, 7 Drawing Sheets

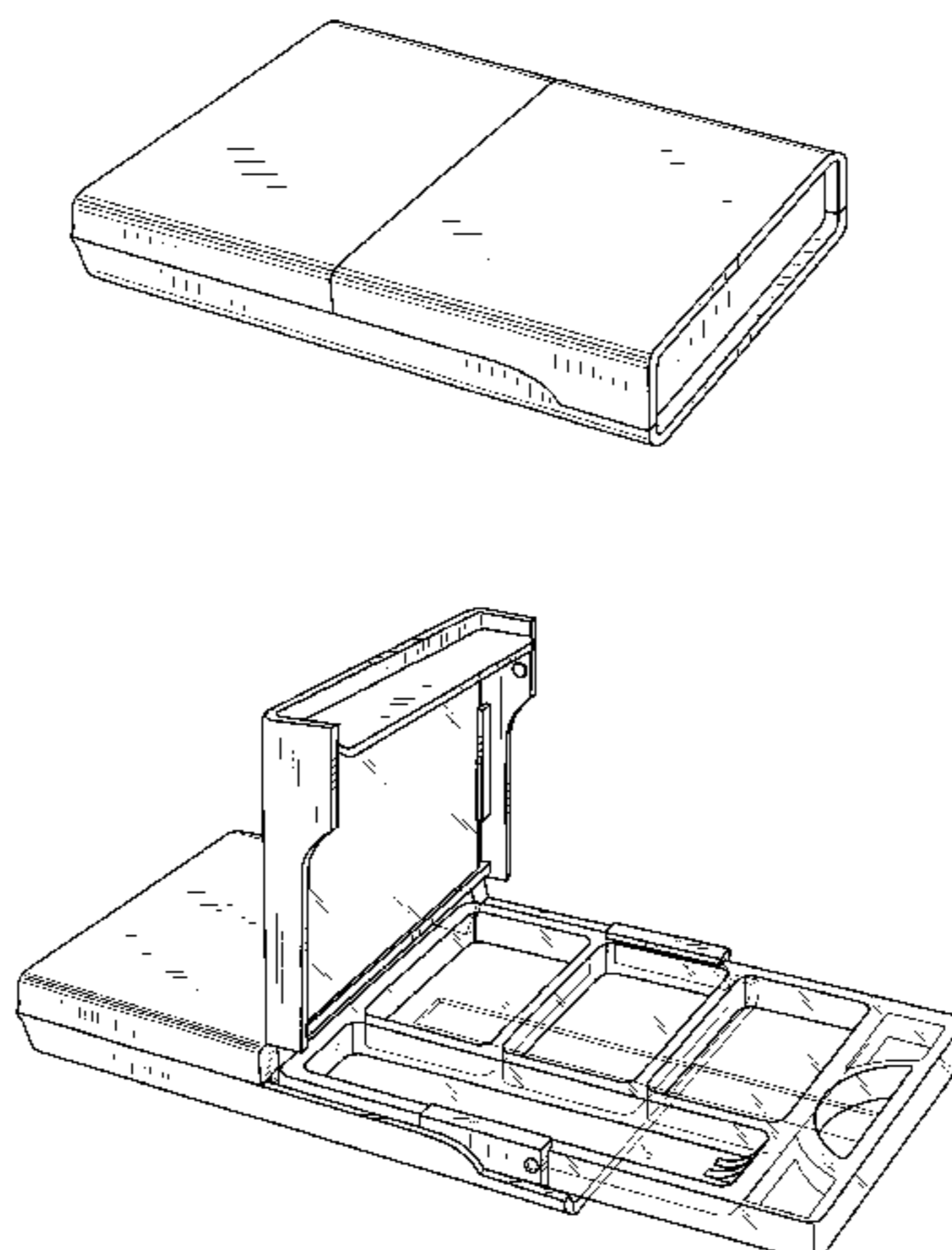


FIG. 1

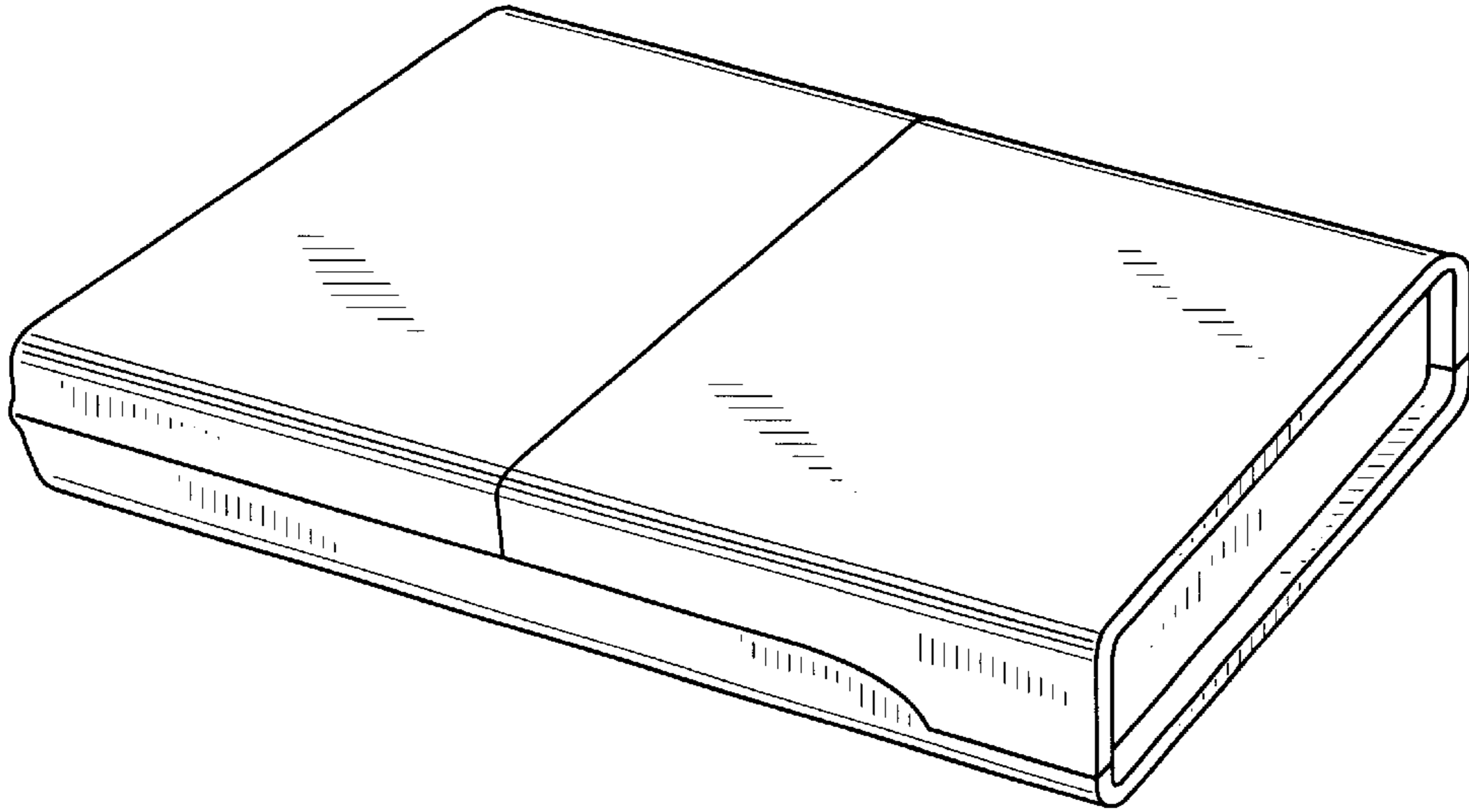


FIG. 2

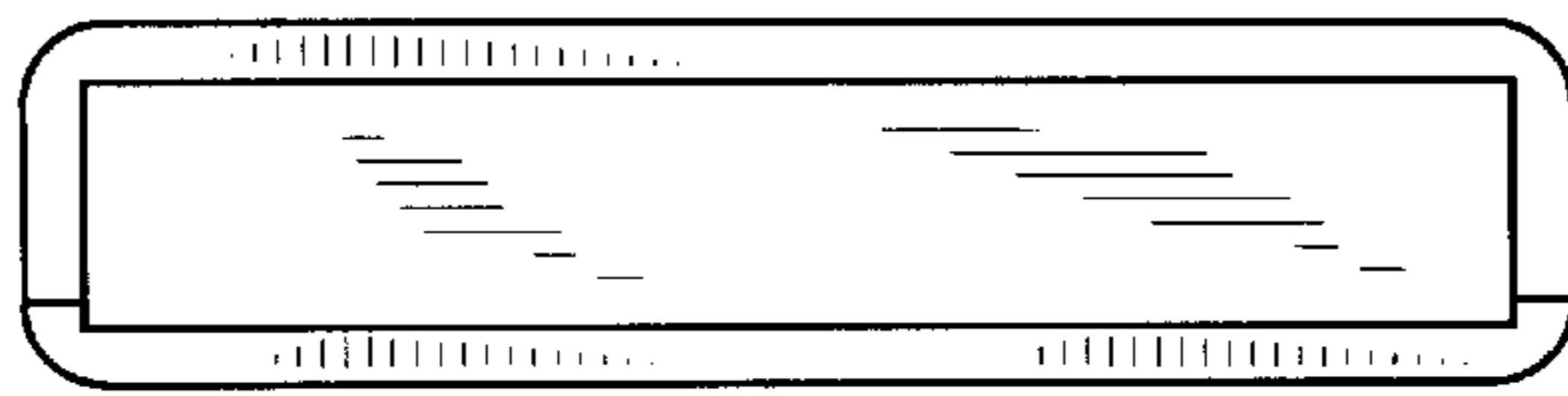


FIG. 3

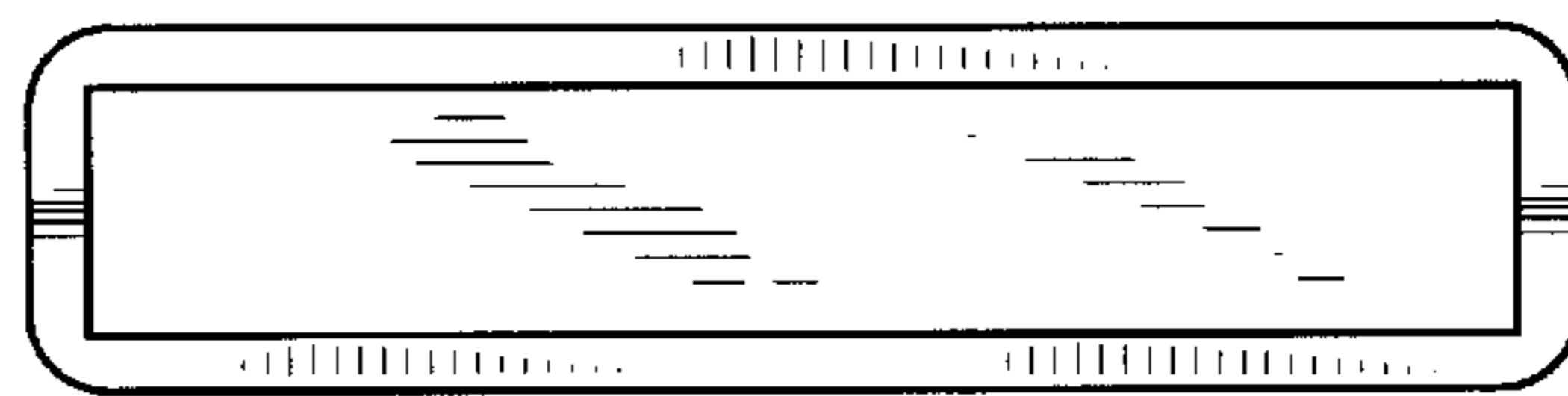


FIG. 4

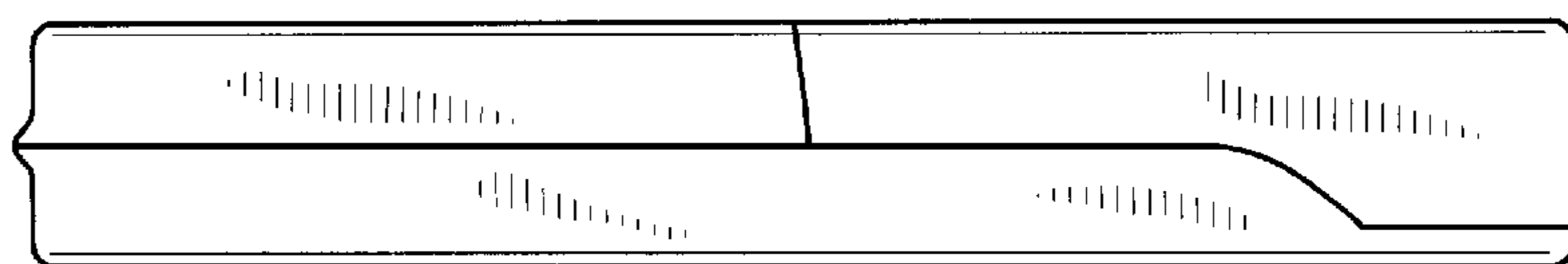


FIG. 5

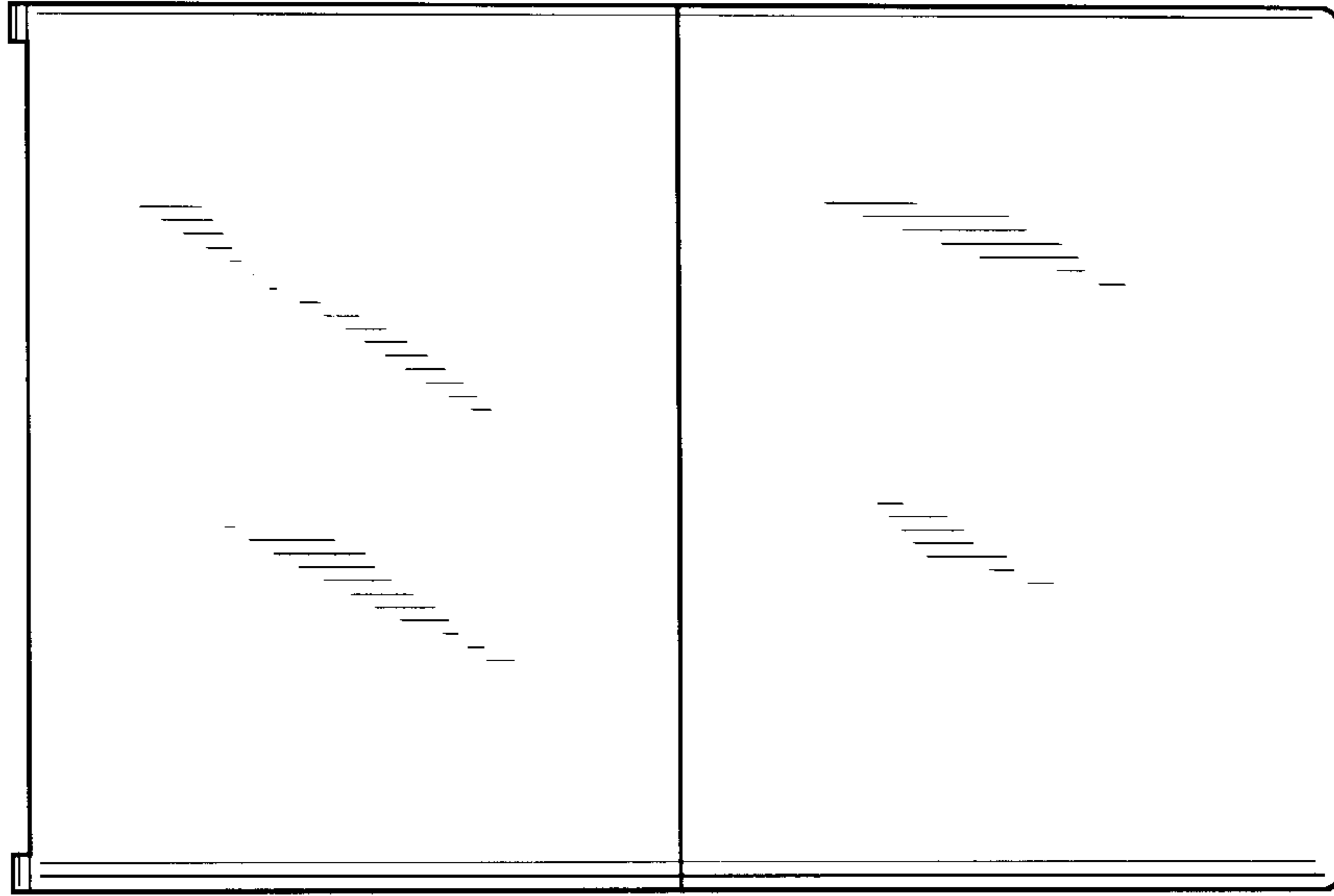
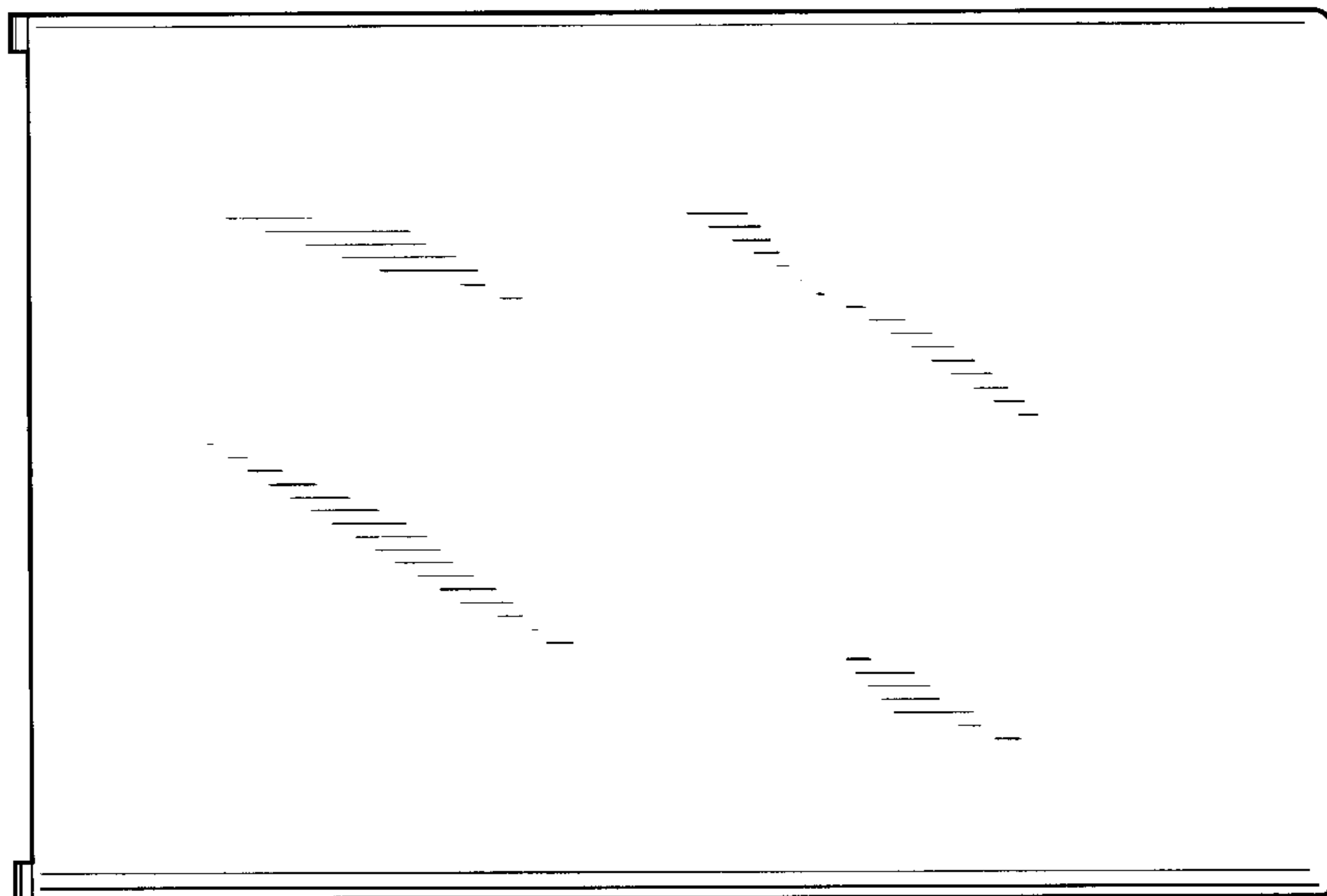


FIG. 6



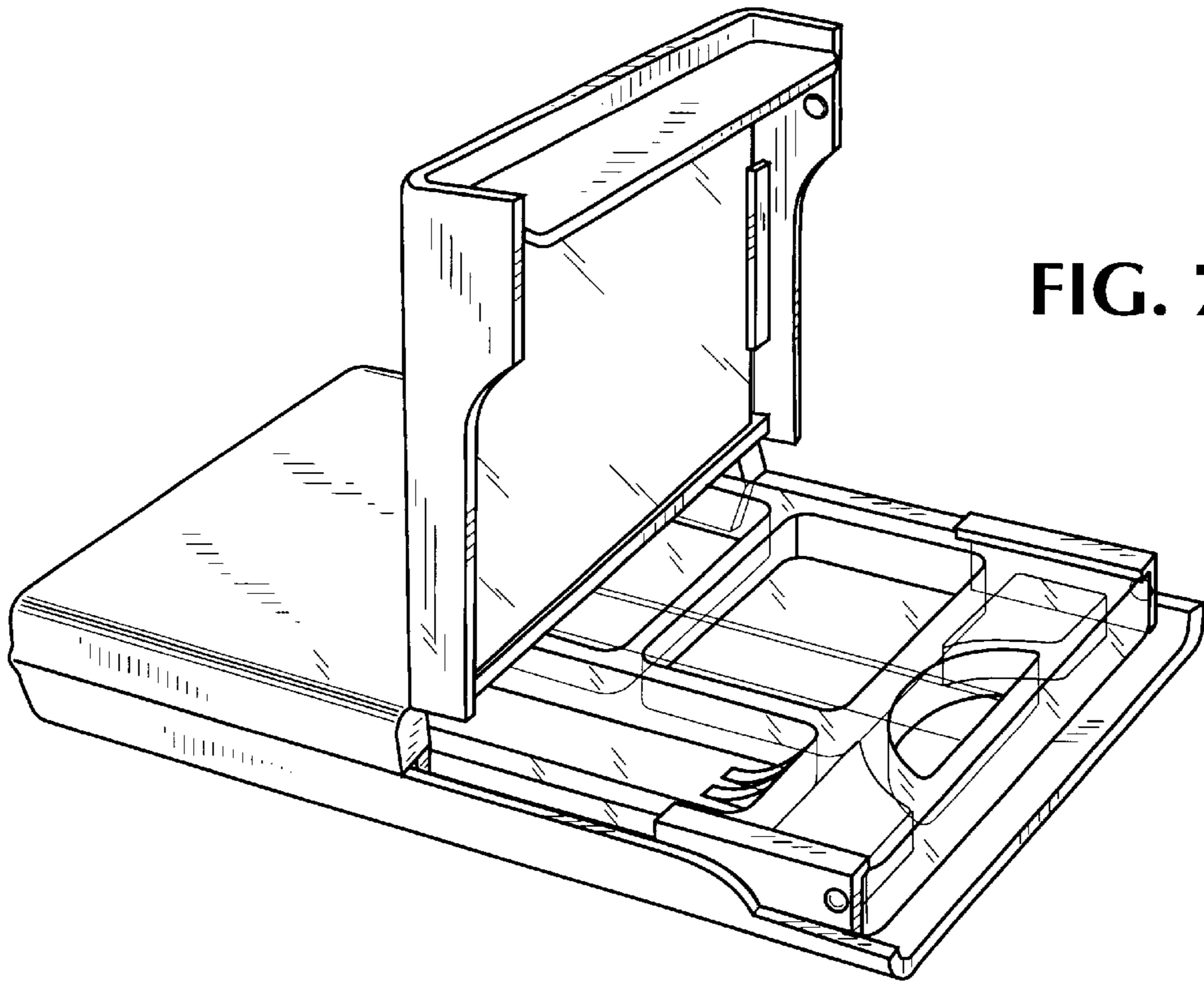


FIG. 7

FIG. 8

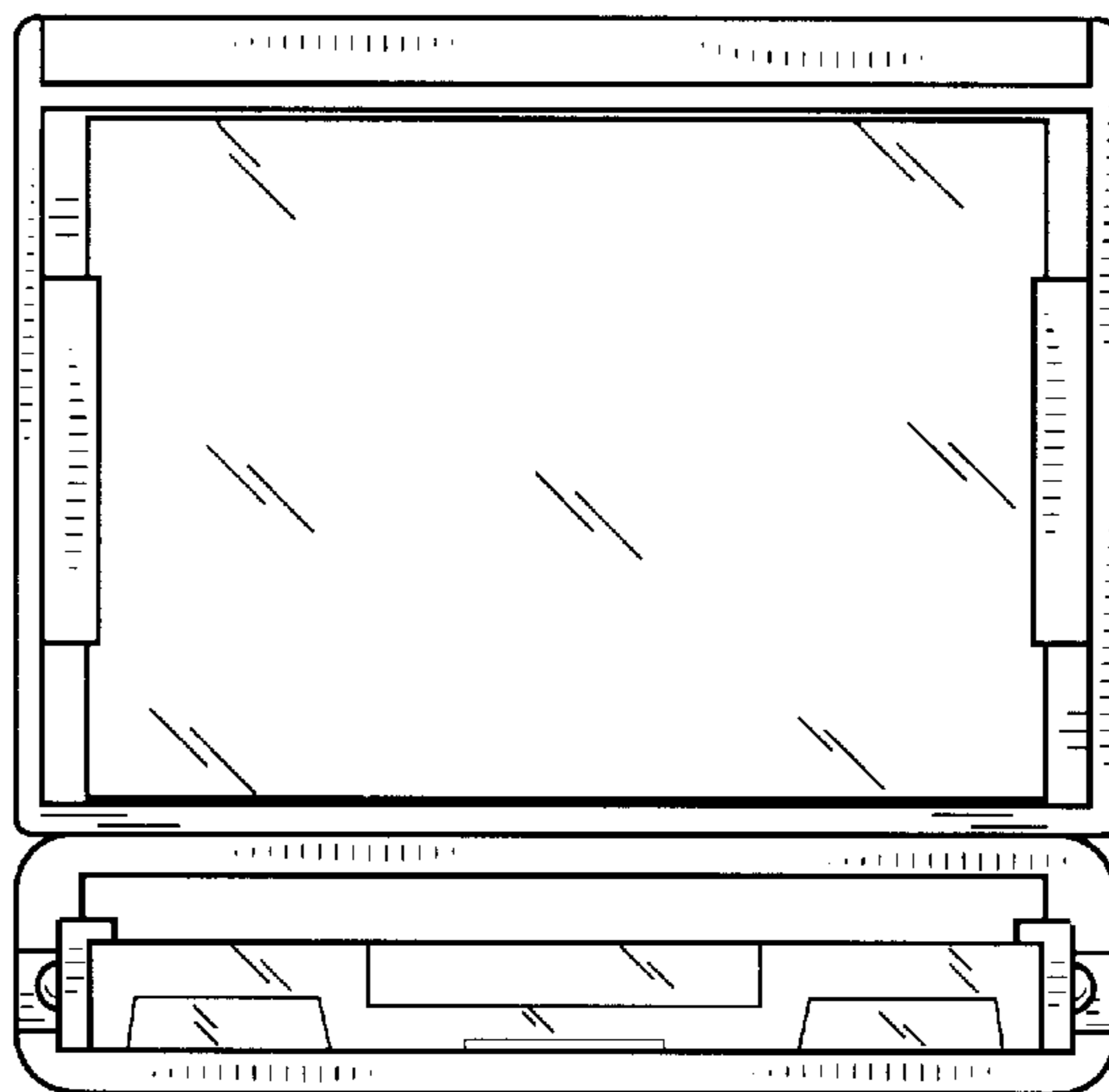


FIG. 9

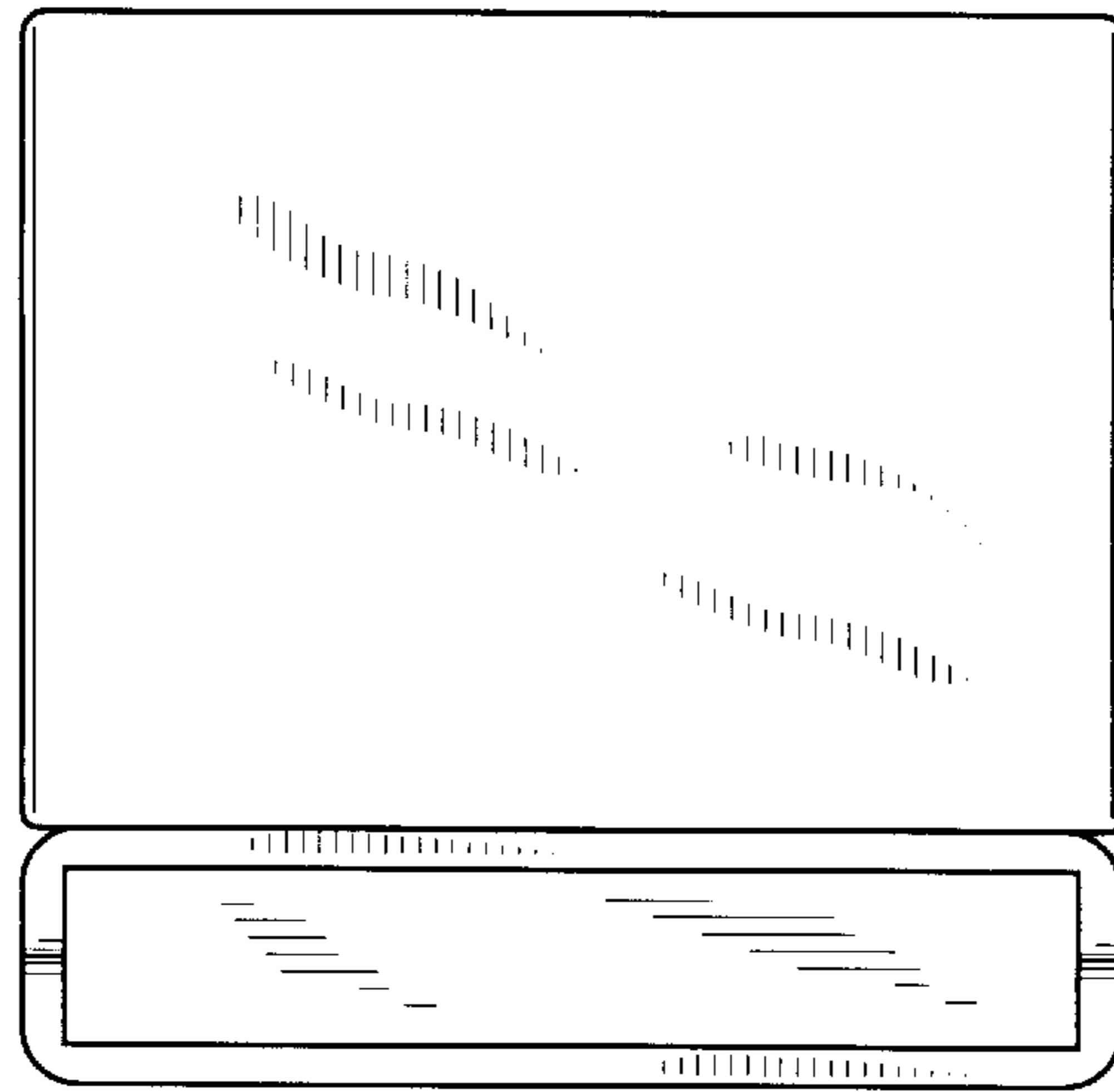


FIG. 10

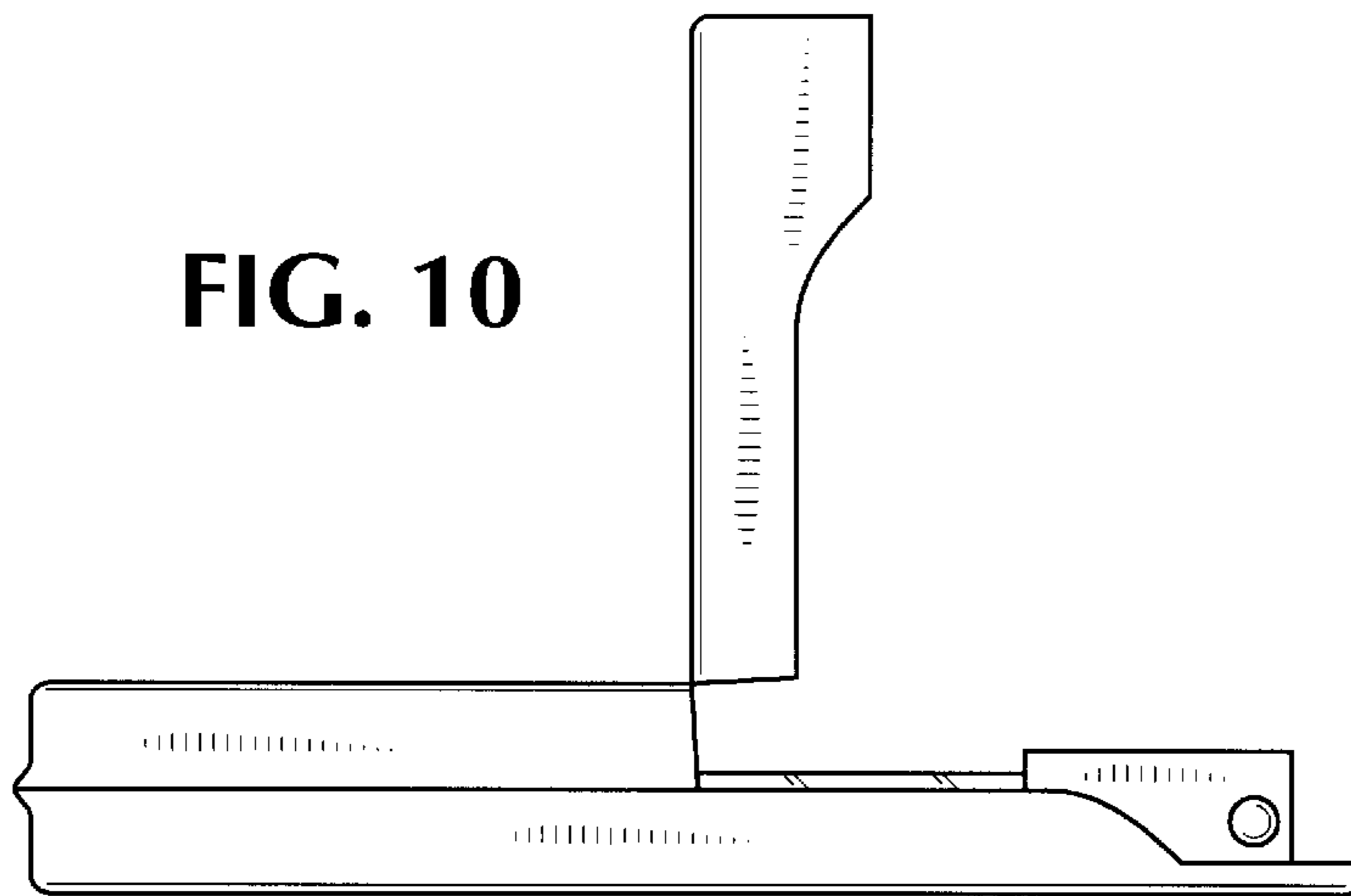
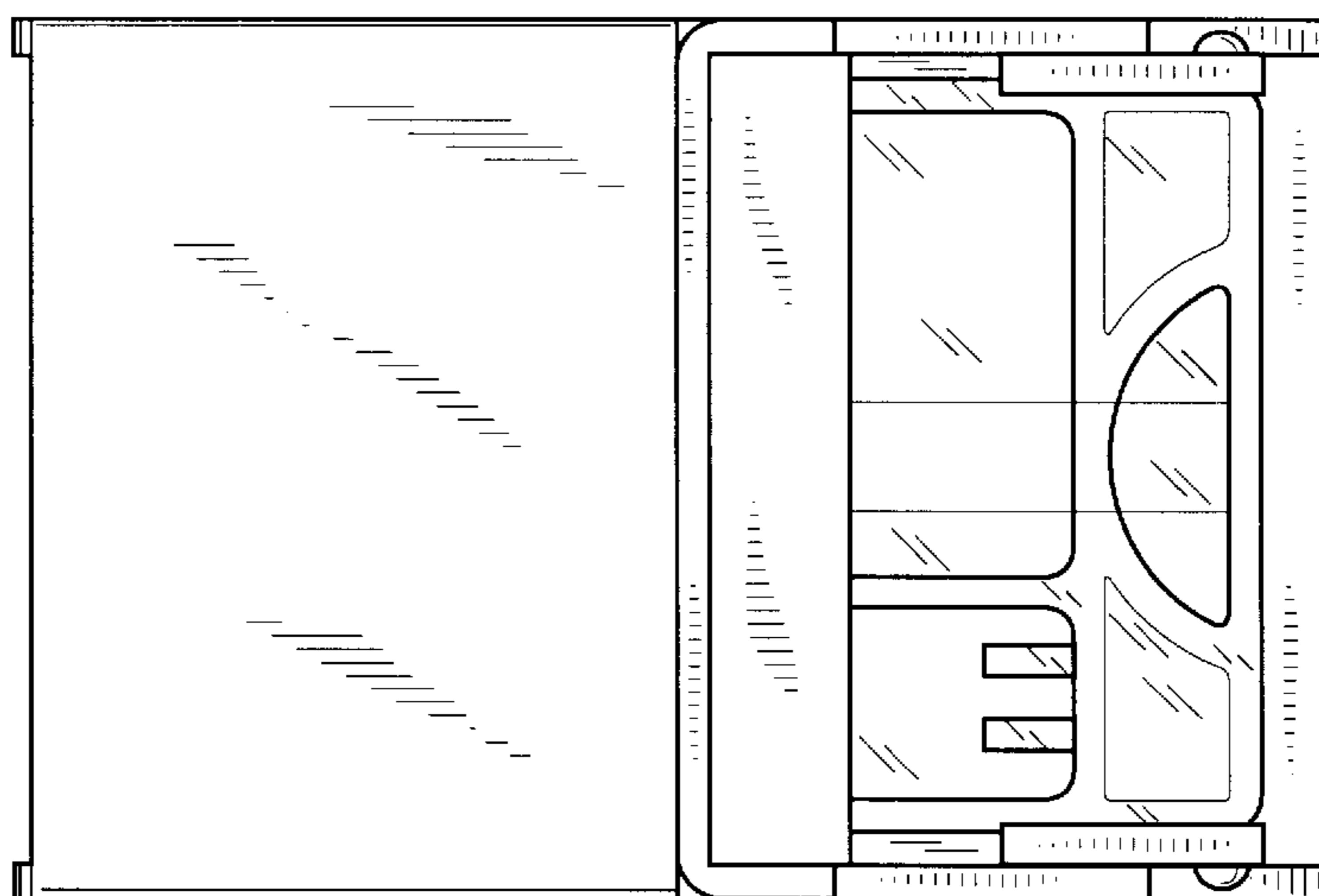


FIG. 11



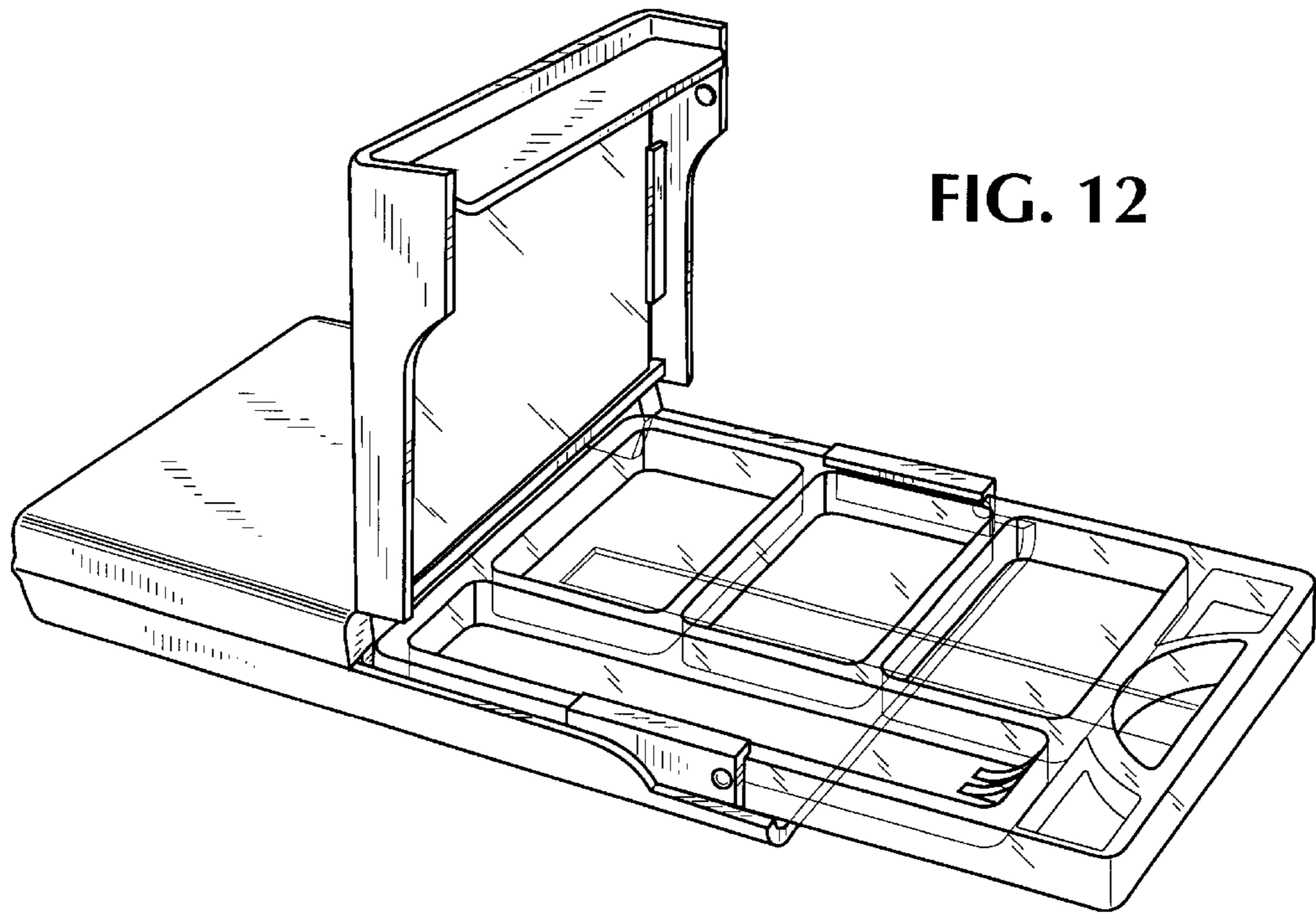


FIG. 12

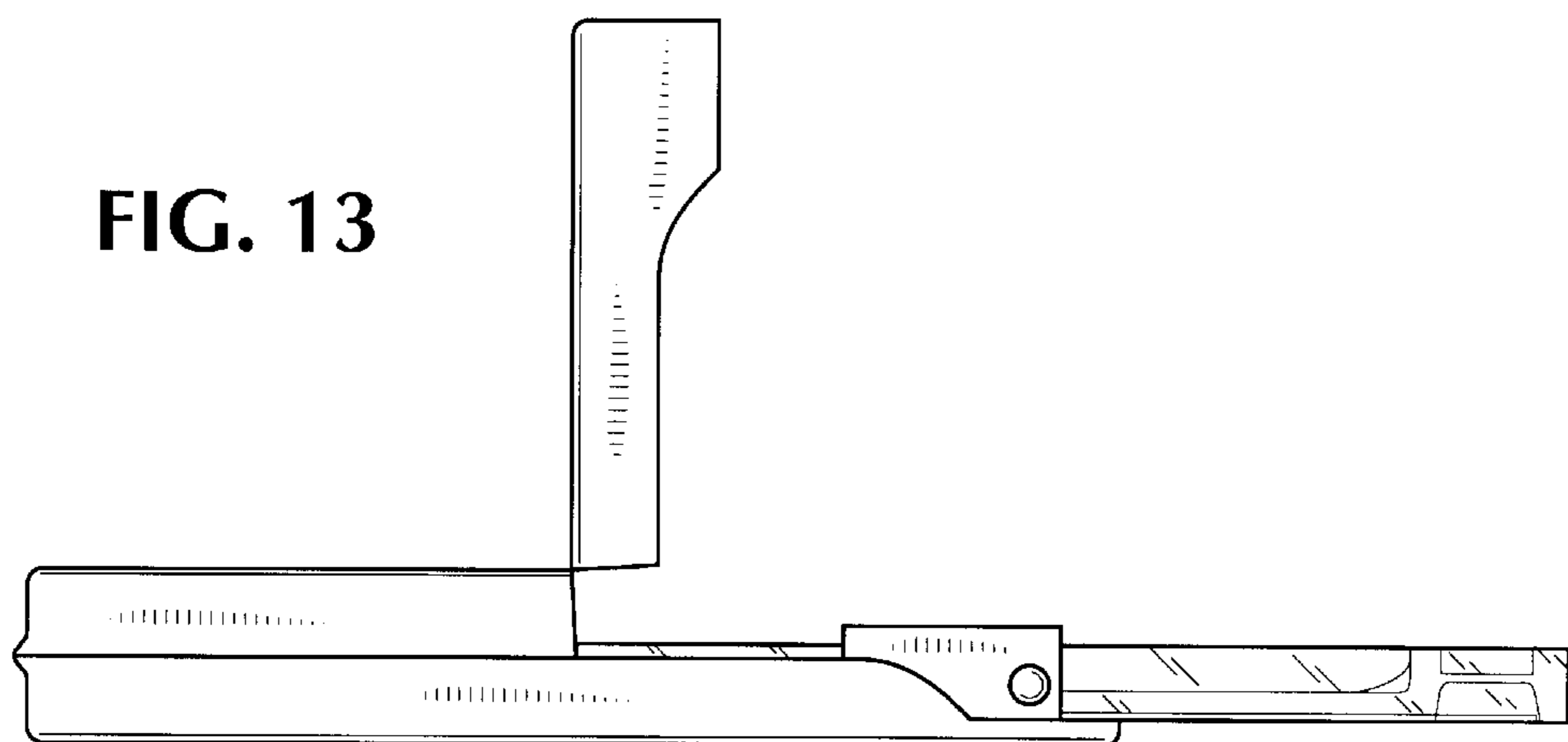


FIG. 13

FIG. 14

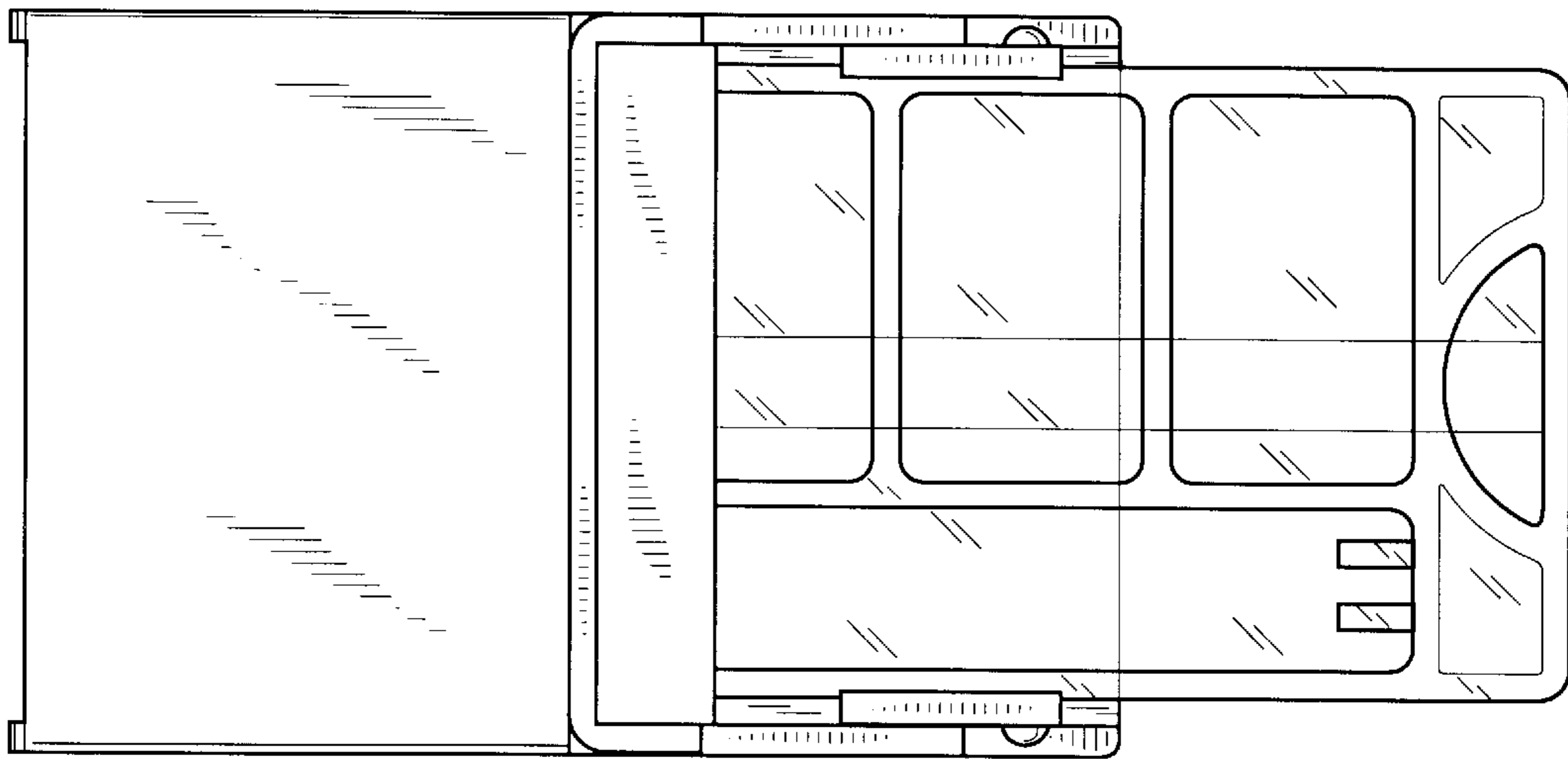
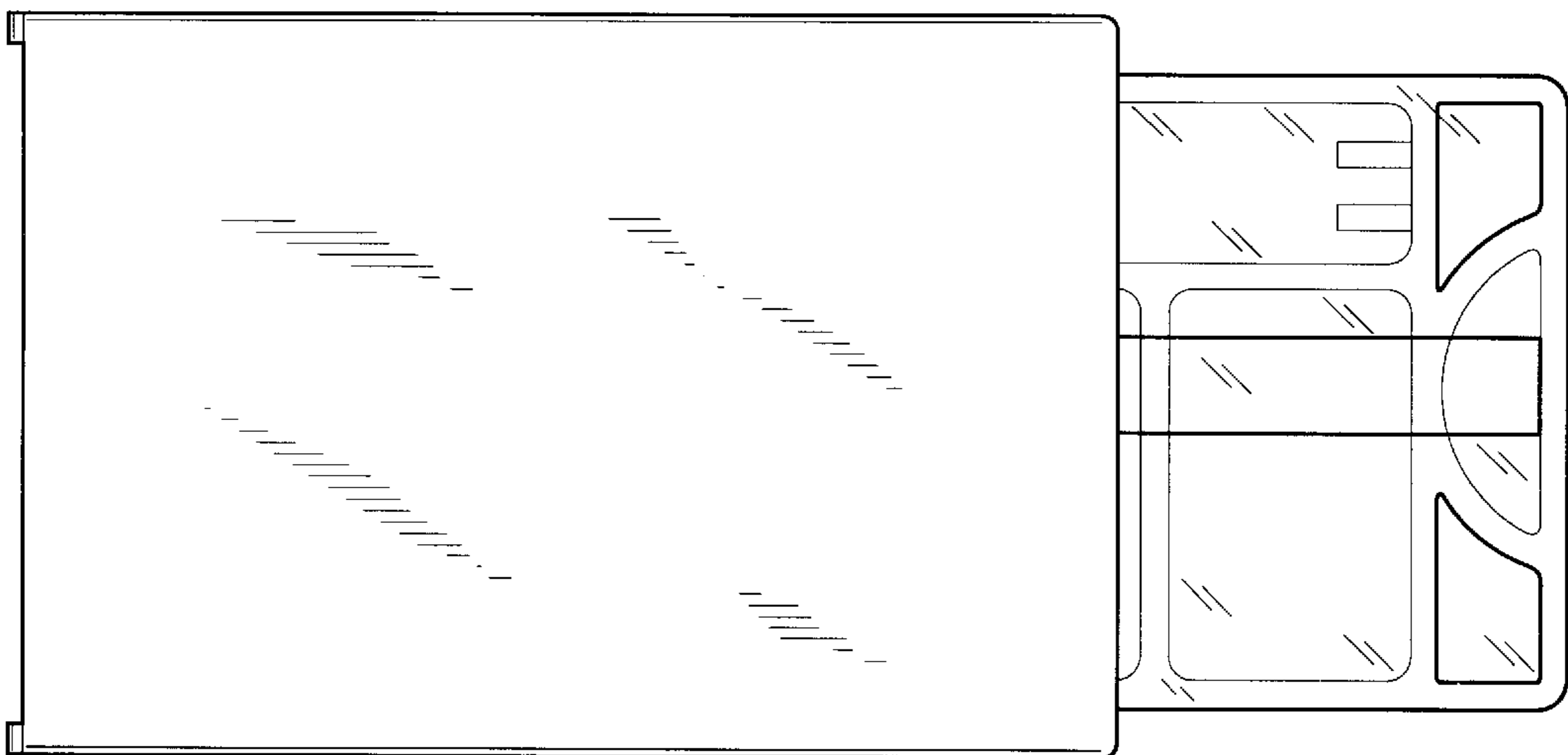


FIG. 15



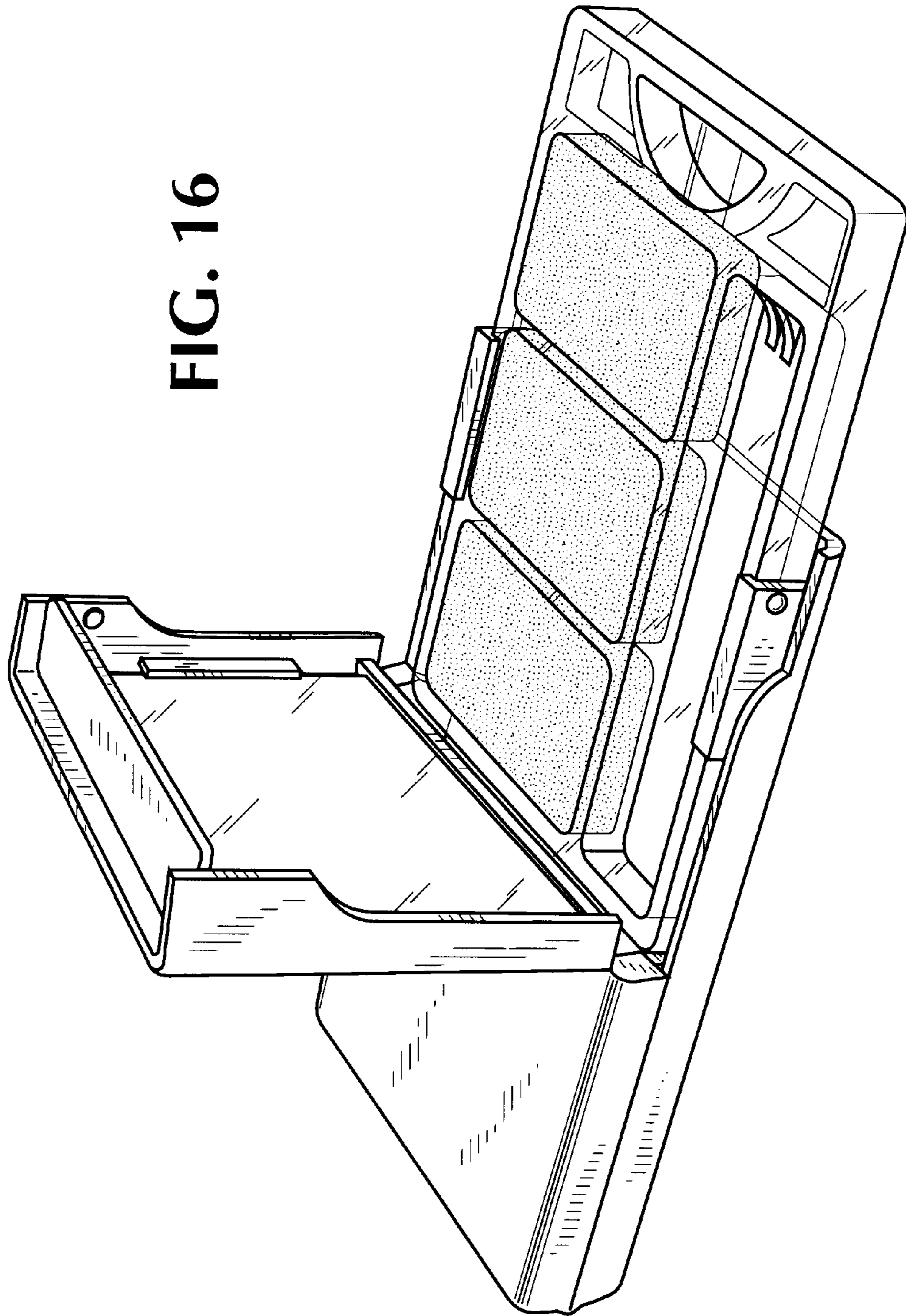


FIG. 16