



US00D473678S

(12) **United States Design Patent**
Shyu

(10) **Patent No.:** **US D473,678 S**

(45) **Date of Patent:** **** Apr. 22, 2003**

(54) **HAIR CLIP**

6,408,859 B1 * 6/2002 Shyu 132/277

(76) Inventor: **Shyh Ming Shyu**, No. 119, Lane 234,
Chengbei Rd., Tainan City (TW)

(**) Term: **14 Years**

(21) Appl. No.: **29/167,198**

(22) Filed: **Sep. 11, 2002**

(51) **LOC (7) Cl.** **28-03**

(52) **U.S. Cl.** **D28/40**

(58) **Field of Search** D28/39-43, 25,
D28/27, 28, 29, 32; 132/277, 273, 275,
276; D8/395; D9/434, 435; 24/500-502,
507-511

(56) **References Cited**

U.S. PATENT DOCUMENTS

1,889,166	A	*	11/1932	Widerman	
D143,734	S	*	8/1946	Huppert D28/40
D381,119	S	*	7/1997	Chang D28/40
5,979,467	A	*	11/1999	Potut et al. 132/277
D434,526	S	*	11/2000	Weaver D28/40

OTHER PUBLICATIONS

Hong Kong Enterprise, Oct. 1997, p. 1143, hair clips.*

* cited by examiner

Primary Examiner—Lucy Lieberman

(74) *Attorney, Agent, or Firm*—Bacon & Thomas, PLLC

(57) **CLAIM**

The ornamental design for a hair clip, as shown.

DESCRIPTION

FIG. 1 is a perspective view of a hair clip showing my new design:

FIG. 2 is a front elevational view thereof;

FIG. 3 is rear elevational view thereof;

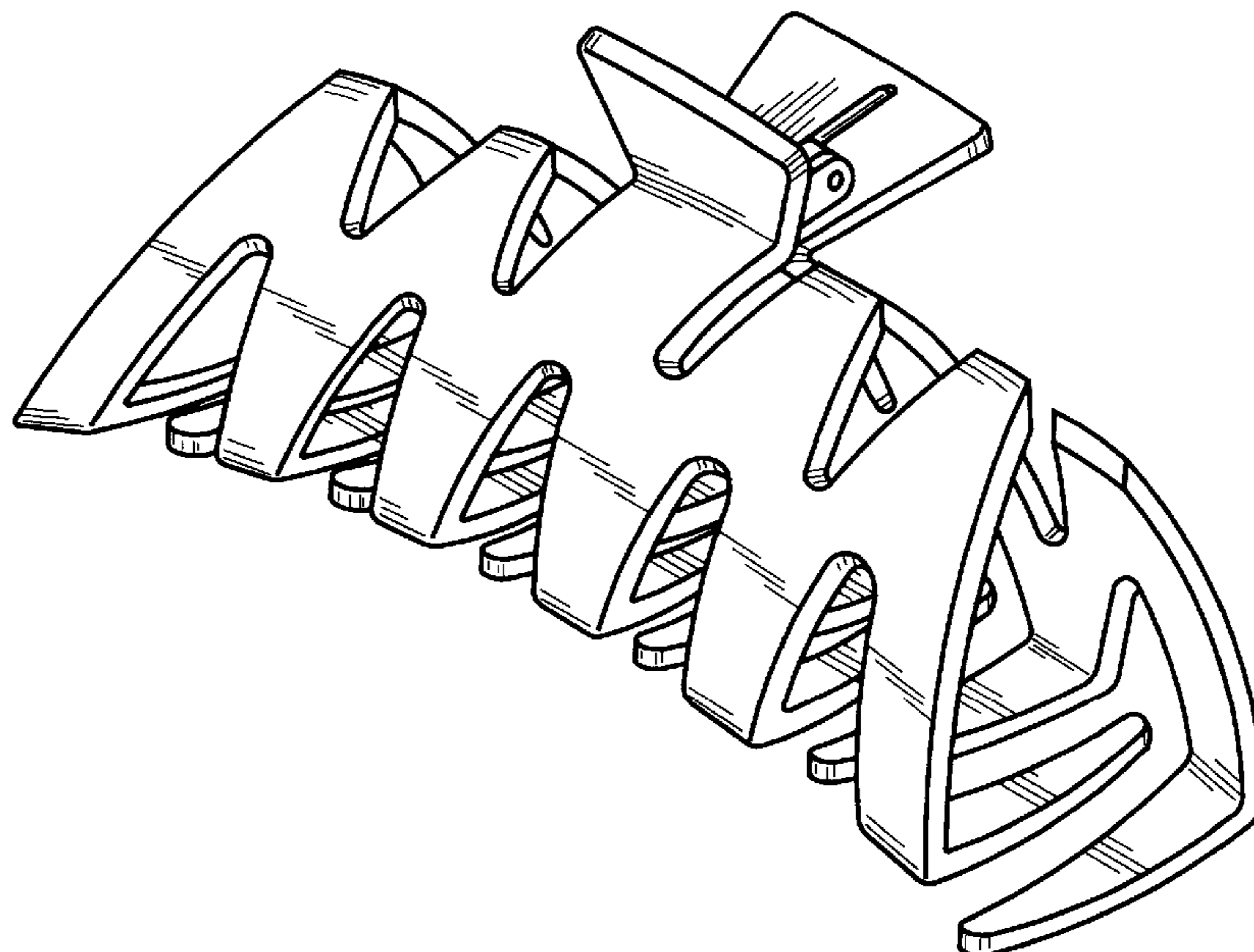
FIG. 4 is a left side elevational view thereof;

FIG. 5 is a right side elevational view thereof;

FIG. 6 is a top plan view thereof; and,

FIG. 7 is a bottom plan view thereof.

1 Claim, 4 Drawing Sheets



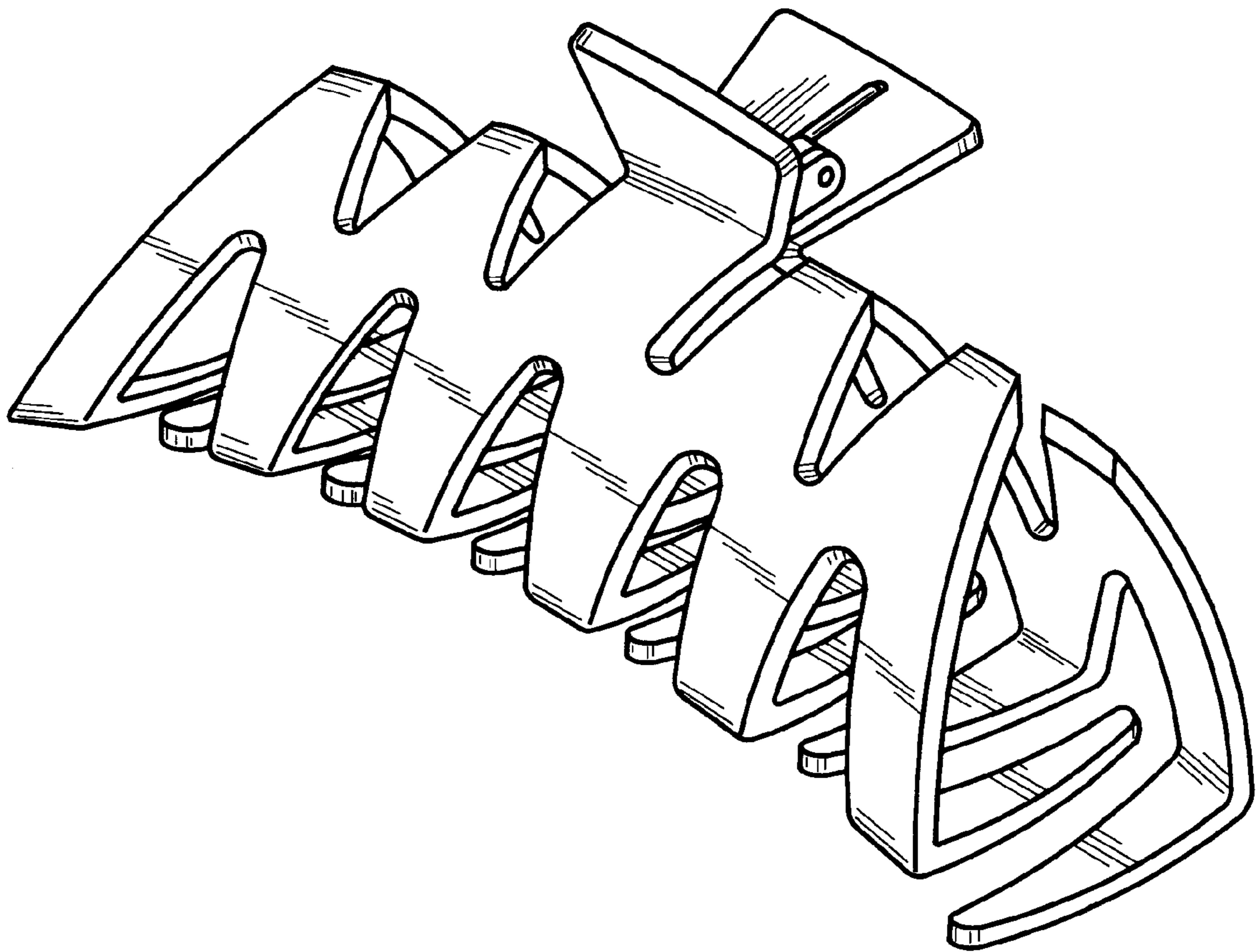


FIG. 1

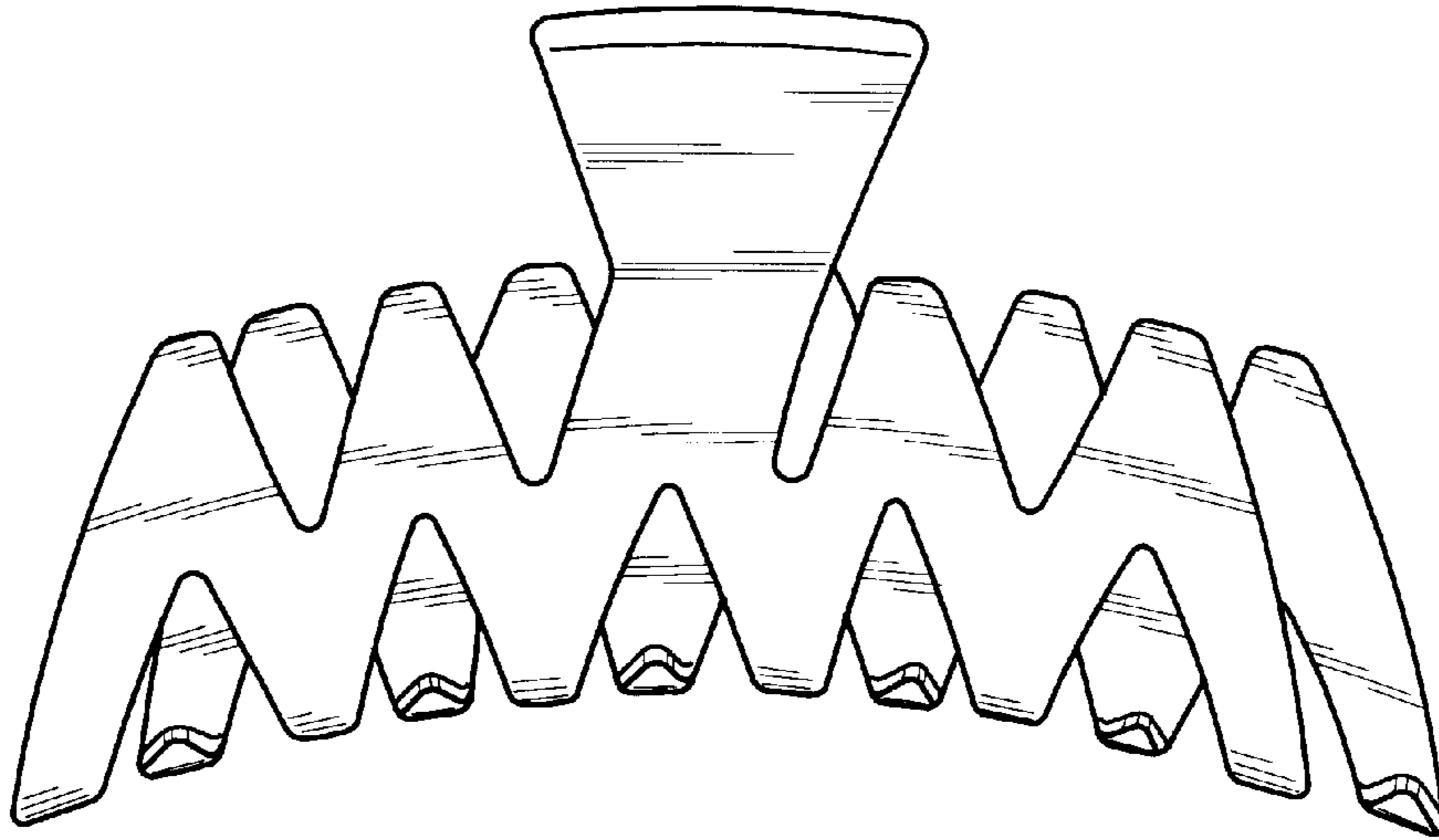


FIG. 2

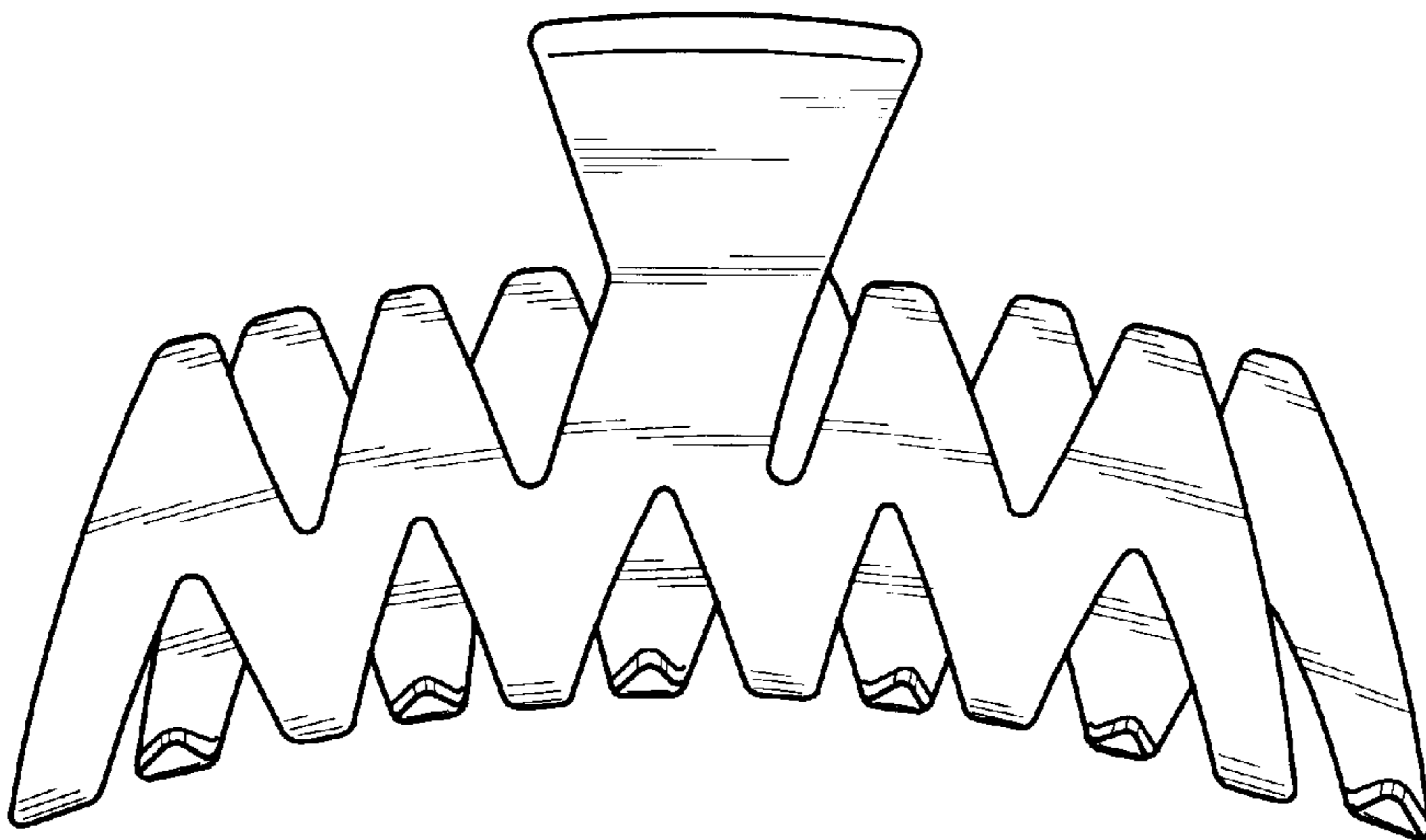


FIG. 3

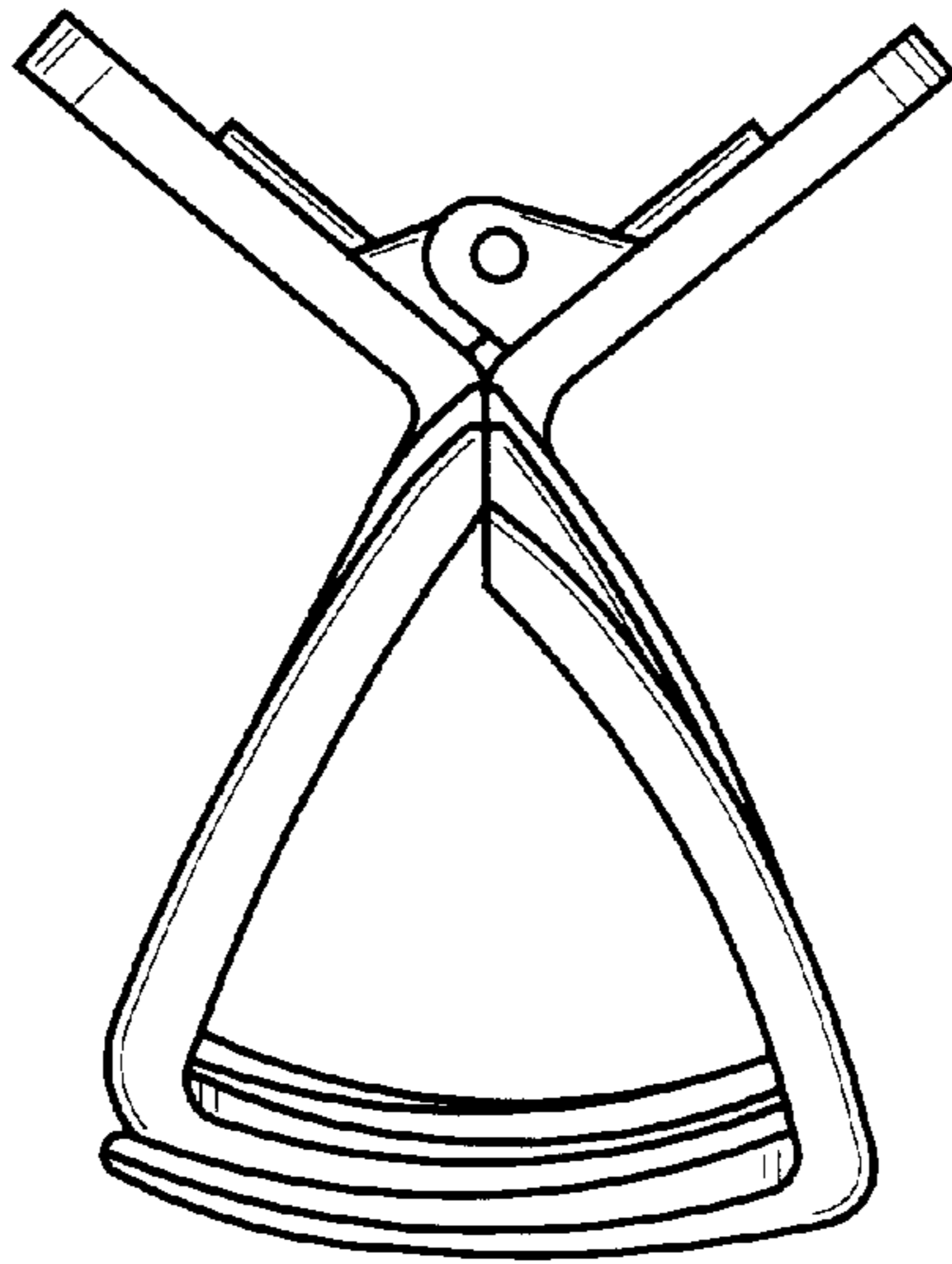


FIG. 4

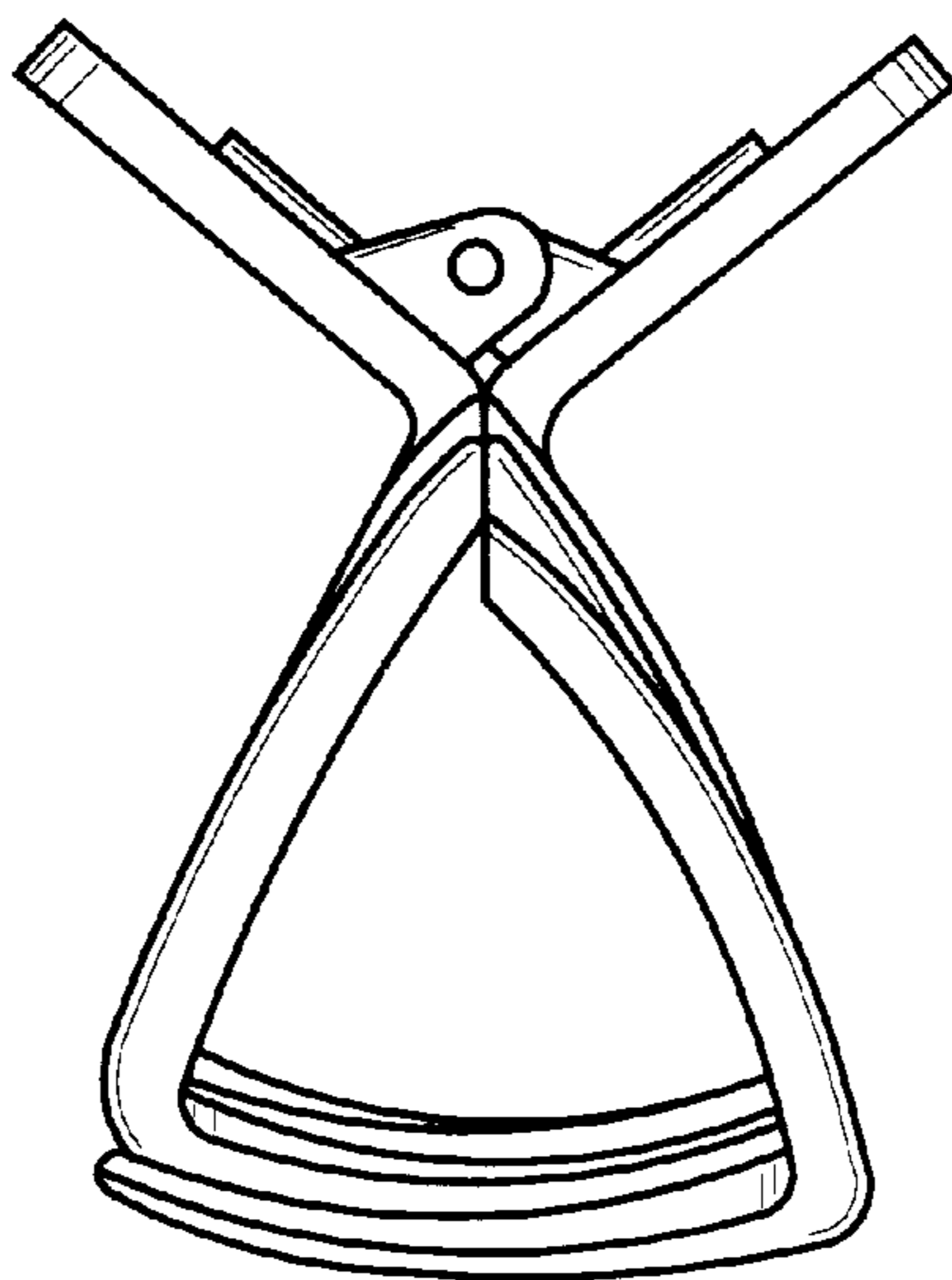


FIG. 5

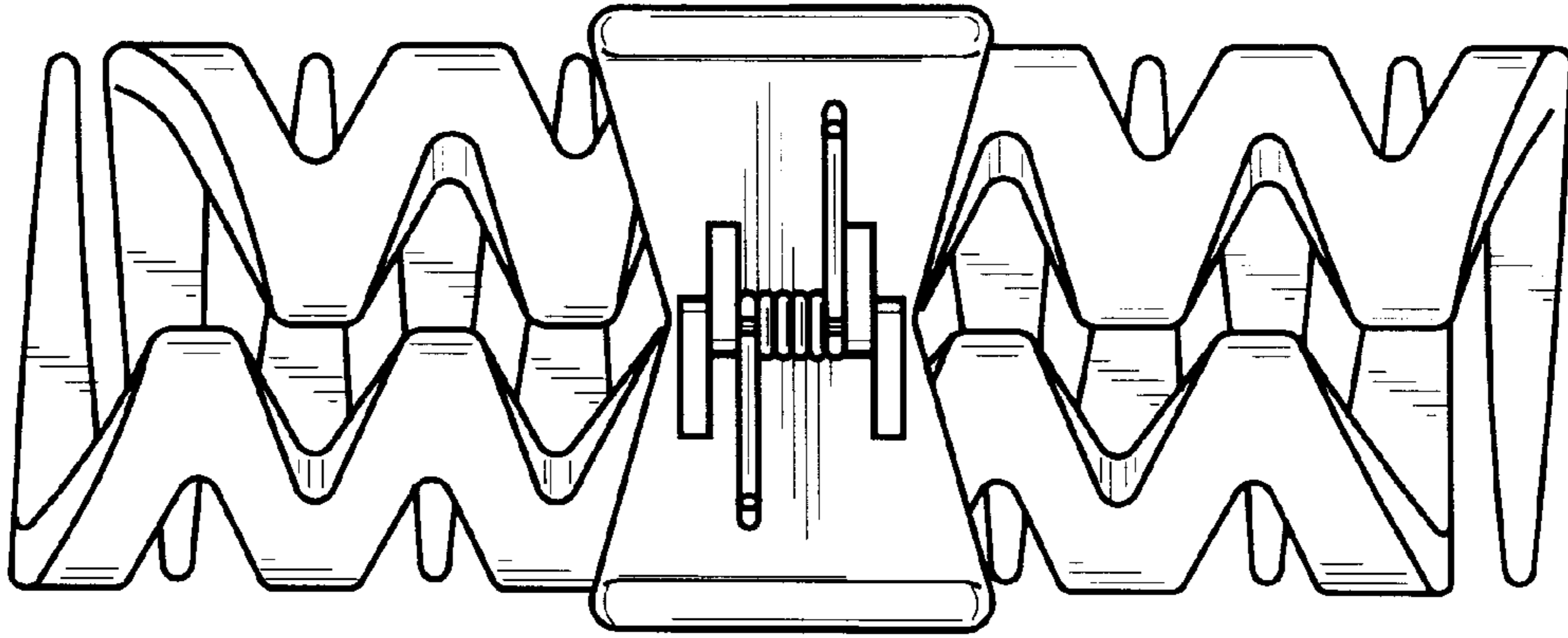


FIG. 6

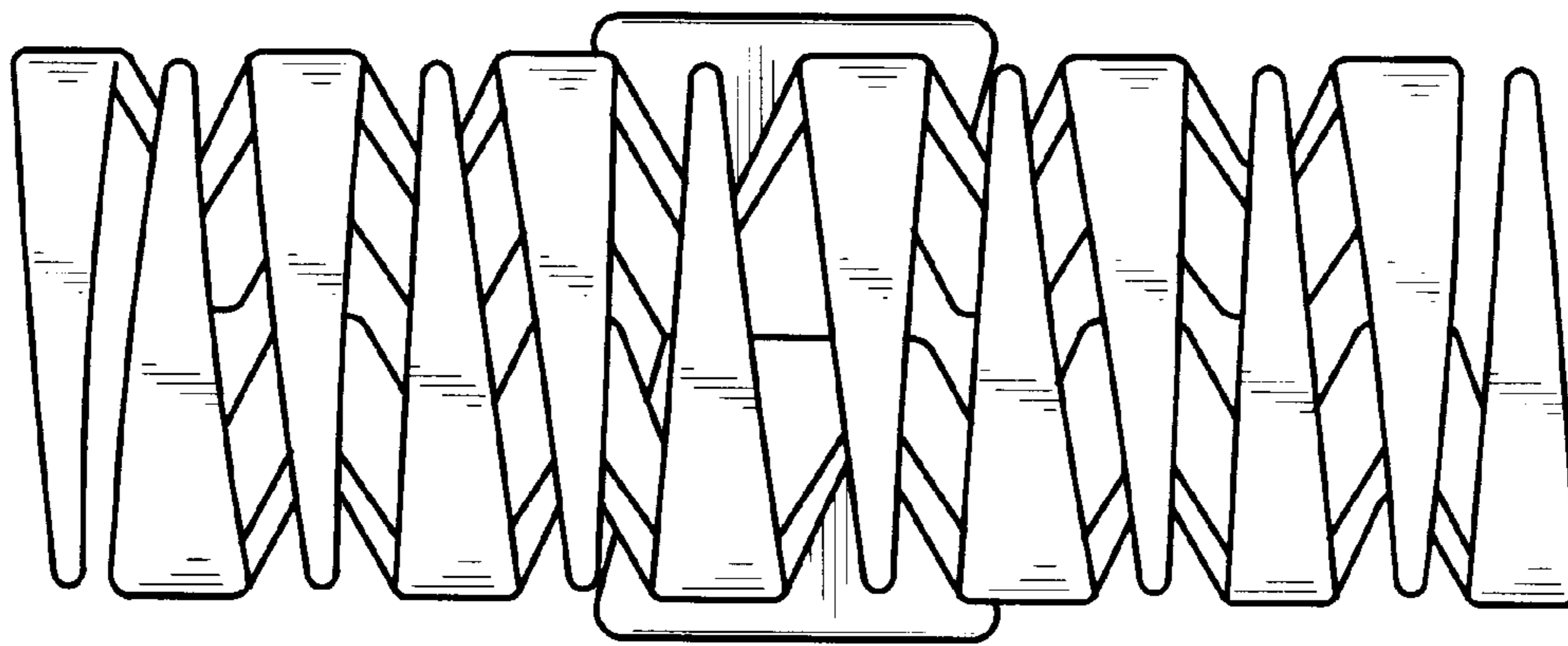


FIG. 7