



US00D473673S

(12) **United States Design Patent**  
**Crelin**

(10) **Patent No.:** **US D473,673 S**

(45) **Date of Patent:** **\*\* Apr. 22, 2003**

(54) **COMBINED POLYGONAL LIGHT FIXTURE  
AND MOUNTING SYSTEM**

(75) **Inventor:** **Robert Crelin**, Branford, CT (US)

(73) **Assignee:** **Lighting by Branford, LLC**, Guilford,  
CT (US)

(\*\*) **Term:** **14 Years**

(21) **Appl. No.:** **29/149,674**

(22) **Filed:** **Oct. 15, 2001**

**Related U.S. Application Data**

(62) Division of application No. 29/137,740, filed on Feb. 28,  
2001, now Pat. No. Des. 454,652.

(51) **LOC (7) Cl.** ..... **26-03**

(52) **U.S. Cl.** ..... **D26/87**

(58) **Field of Search** ..... D26/72, 87, 92,  
D26/152; 362/147, 432, 404-408

(56) **References Cited**

**U.S. PATENT DOCUMENTS**

- D388,217 S \* 12/1997 Hsu ..... D26/85
- D420,459 S \* 2/2000 Meck et al. .... D26/87
- D439,362 S \* 3/2001 Berry ..... D26/87
- D445,213 S \* 7/2001 Jones et al. .... D26/87

**OTHER PUBLICATIONS**

Taiwan Lighting Aug. 2000, p. 133 item No. BR2004.\*  
Home Lighting and Accessories, Mar. 1996, p. 51, item No.  
643-06-00 by American Lantern.\*

\* cited by examiner

*Primary Examiner*—Alan P. Douglas

*Assistant Examiner*—Clare E. Heflin

(74) *Attorney, Agent, or Firm*—St. Onge Steward Johnston  
& Reens

(57) **CLAIM**

I claim the ornamental design for a combined polygonal  
light fixture and mounting system, as shown and described.

**DESCRIPTION**

FIG. 1 is an isometric view of a combined polygonal light  
fixture and mounting system in accordance with the new  
design;

FIG. 2 is a front view of the combined polygonal light fixture  
and mounting system shown in FIG. 1;

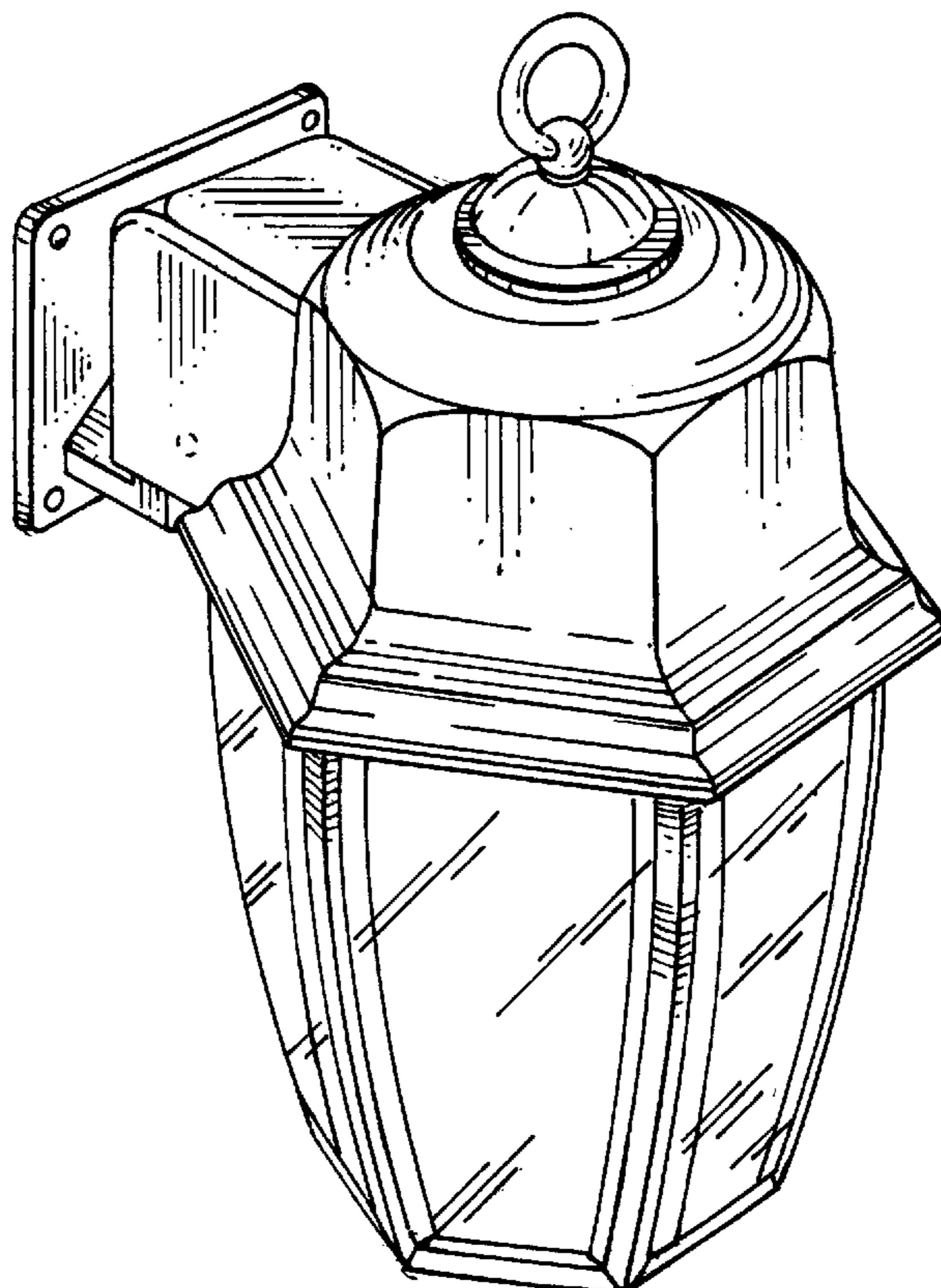
FIG. 3 is a left side view of the combined polygonal light  
fixture and mounting system shown in FIG. 1;

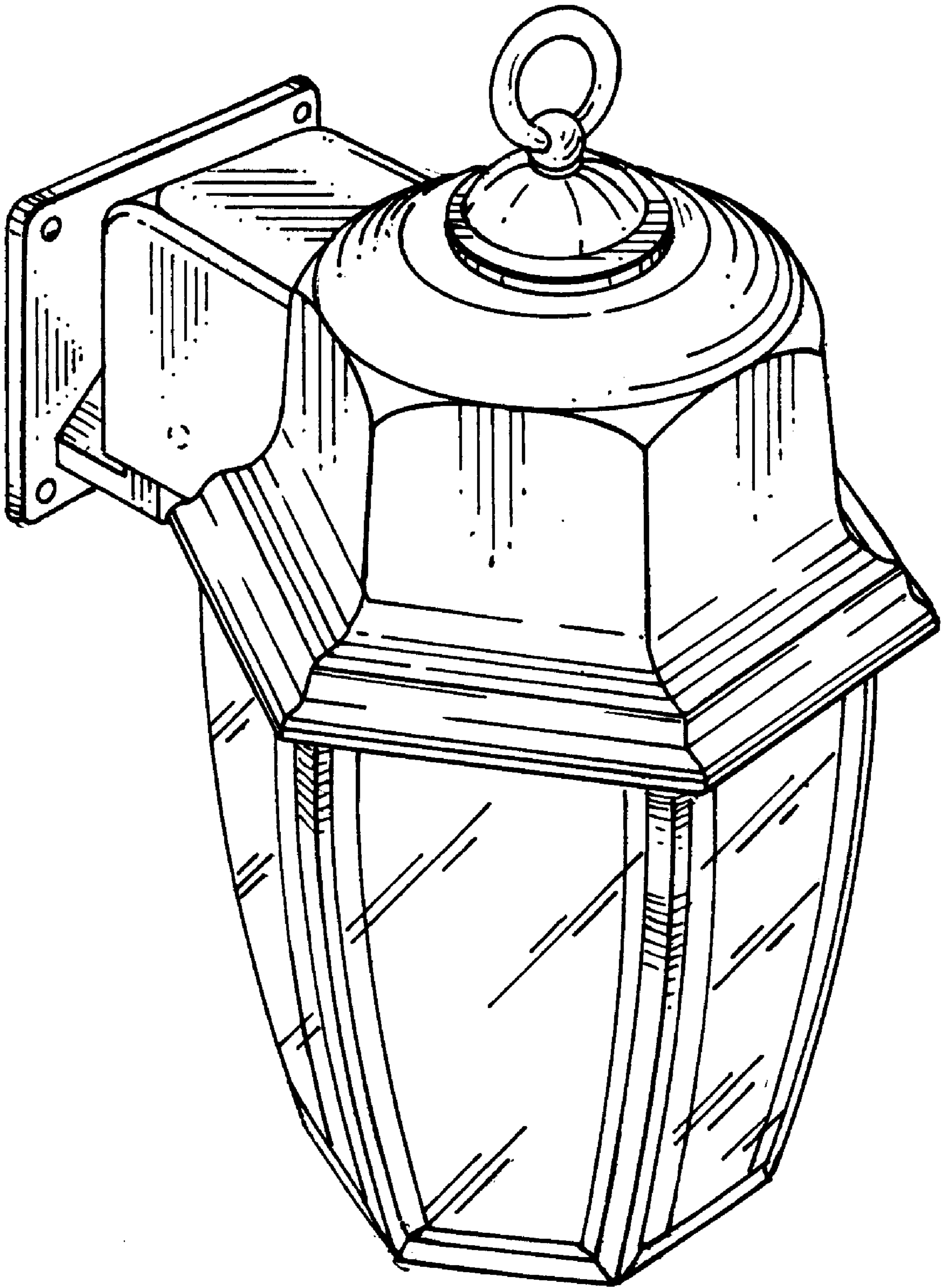
FIG. 4 is a top view of the combined polygonal light fixture  
and mounting system shown in FIG. 1;

FIG. 5 is a bottom view of the combined polygonal light  
fixture and mounting system shown in FIG. 1; and,

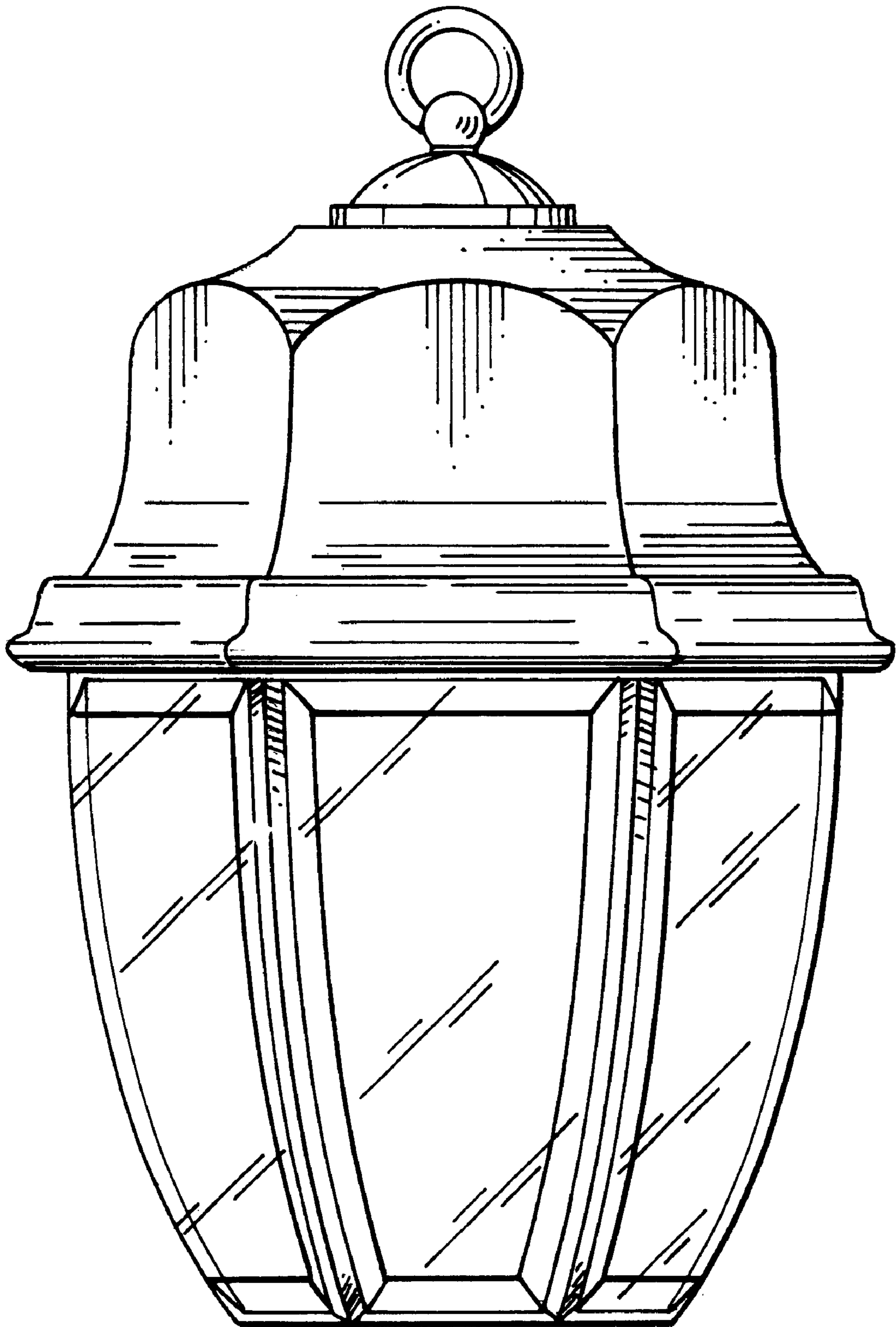
FIG. 6 is a rear view of the combined polygonal light fixture  
and mounting system shown in FIG. 1.

**1 Claim, 5 Drawing Sheets**

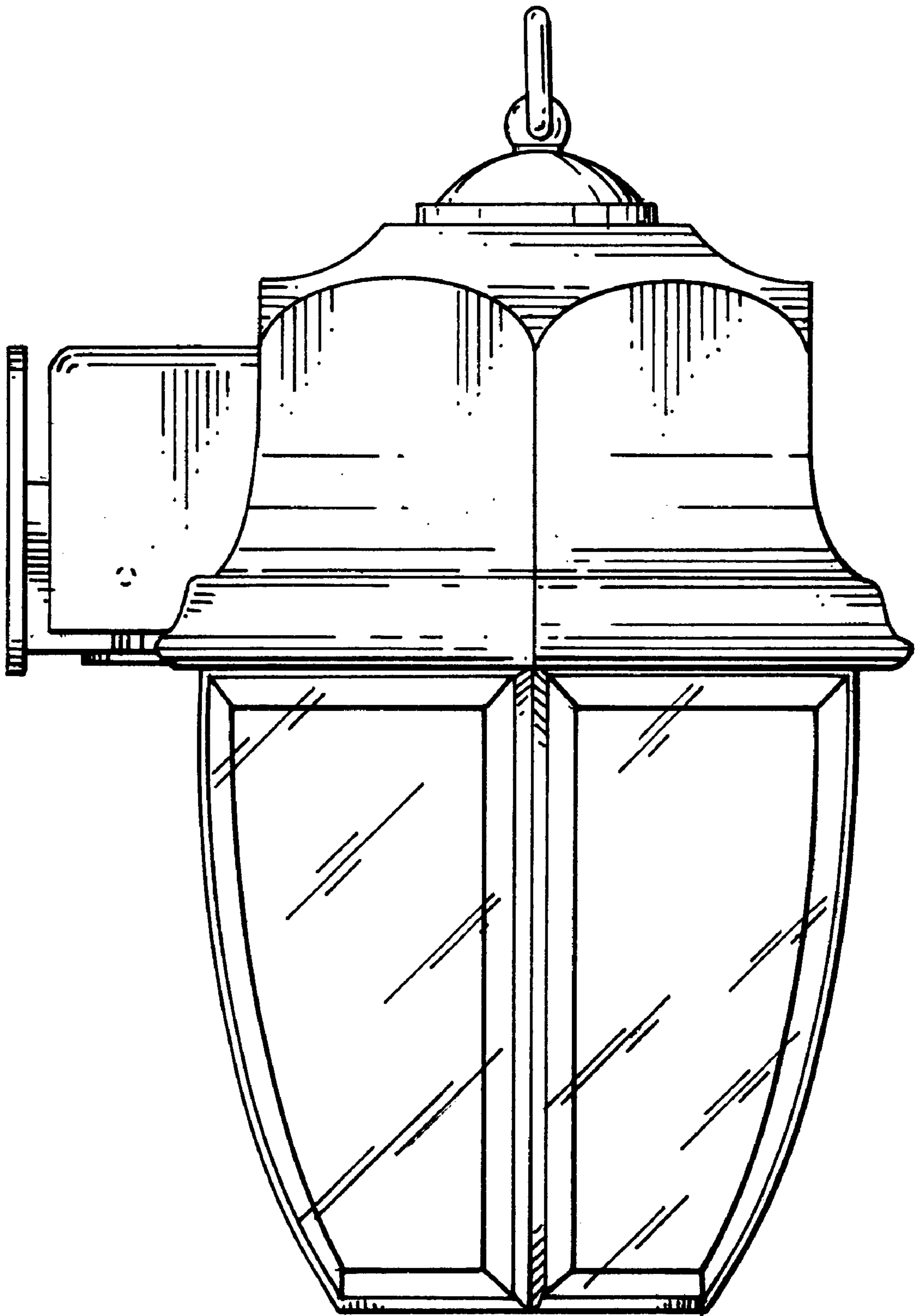




*FIG. 1*



*FIG. 2*



*FIG. 3*



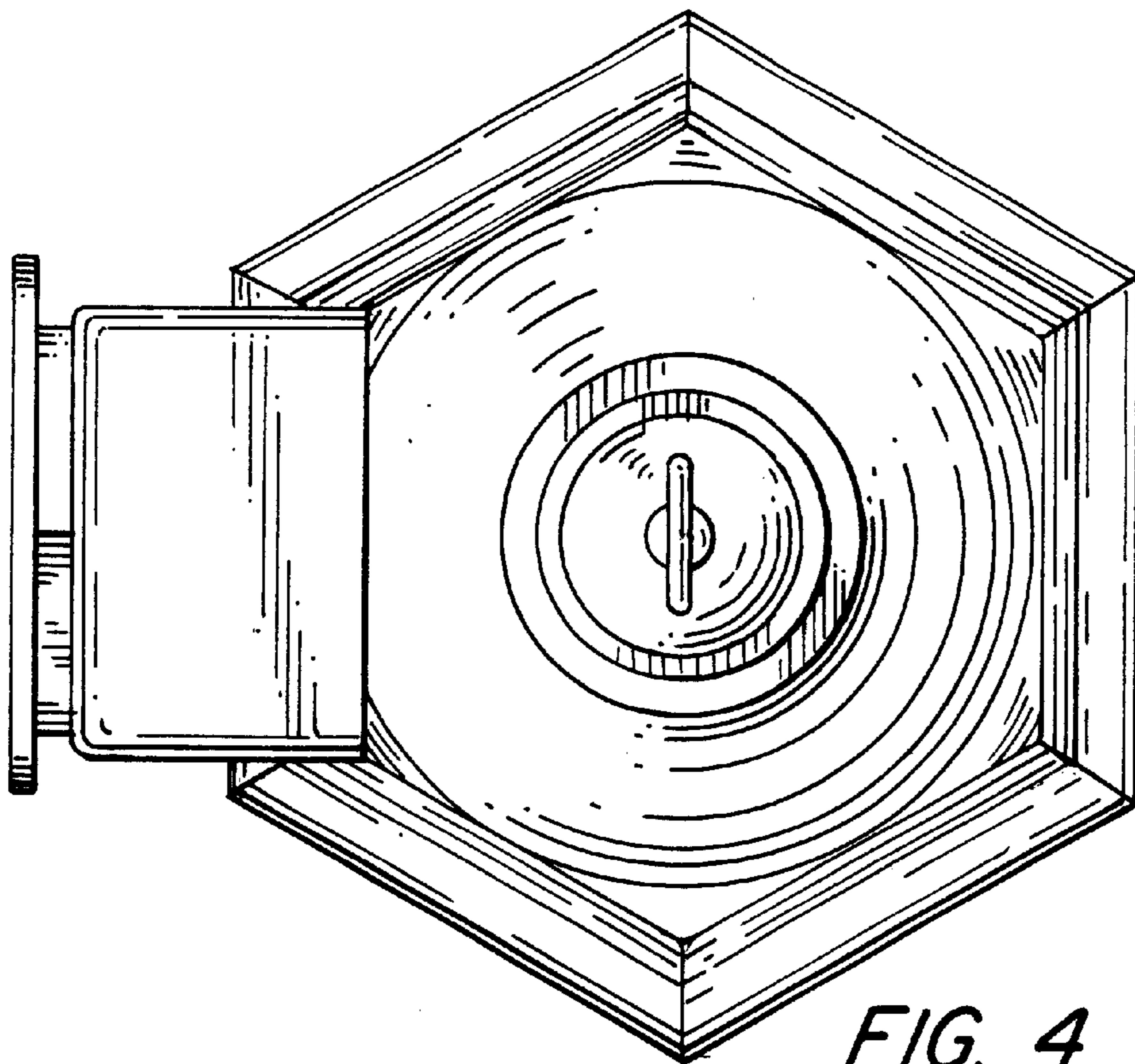


FIG. 4

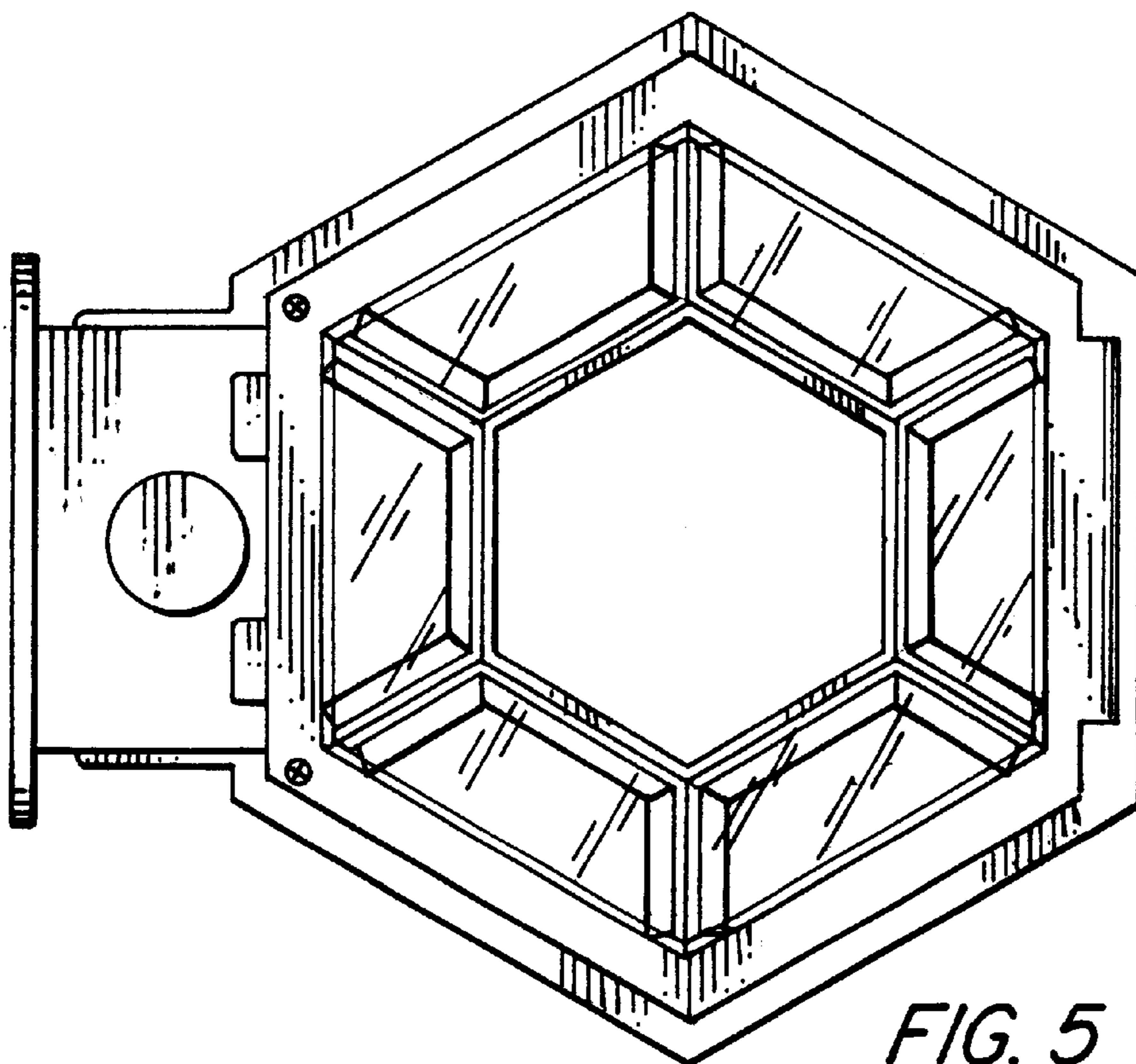
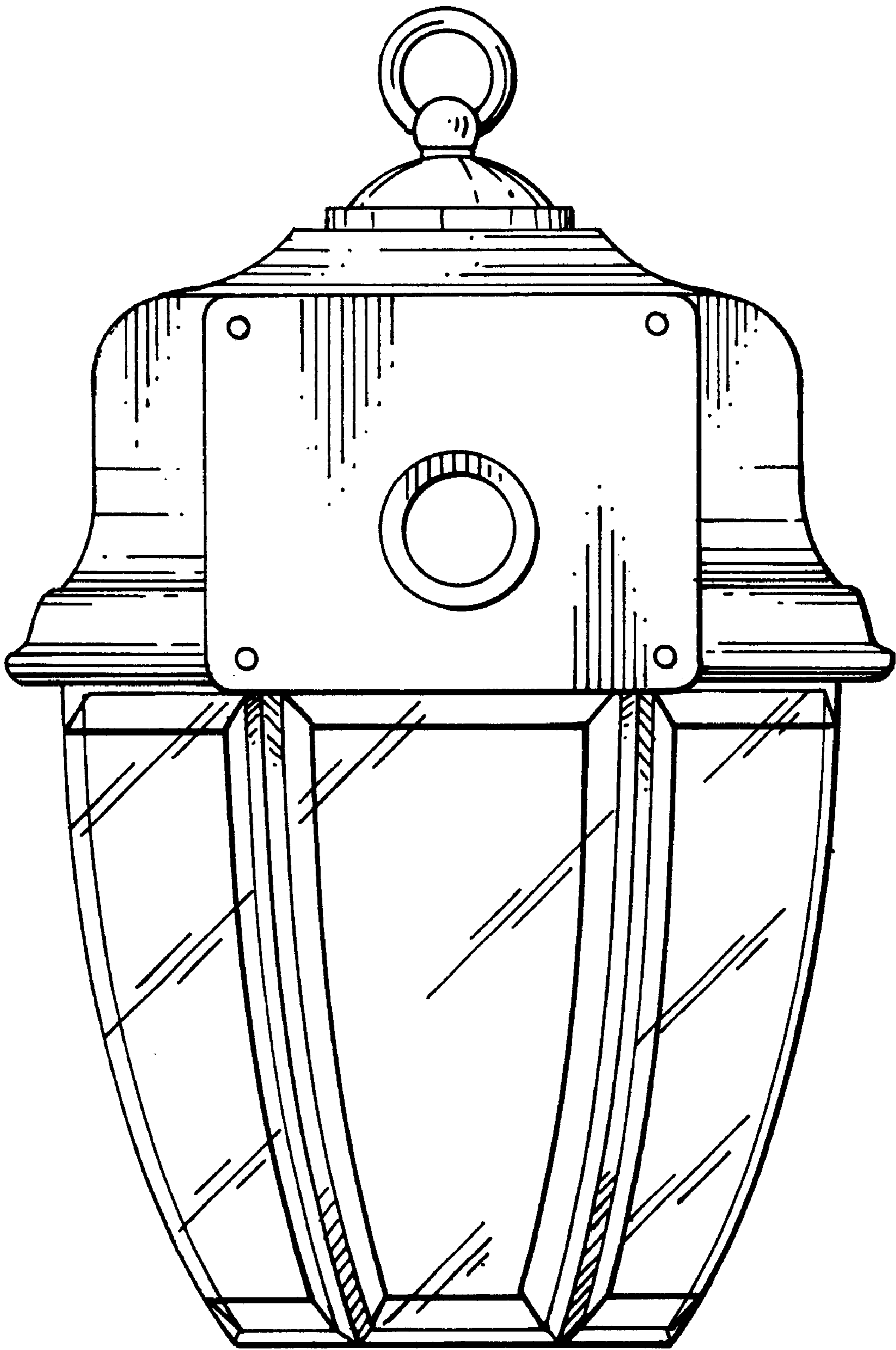


FIG. 5



*FIG. 6*