



US00D473670S

(12) **United States Design Patent**
Kelmelis et al.

(10) **Patent No.:** **US D473,670 S**

(45) **Date of Patent:** **** Apr. 22, 2003**

(54) **INTERSPACED FLUSH LIGHTING ASSEMBLY**

D397,818 S * 9/1998 Herst et al. D26/119
5,906,427 A * 5/1999 Noh 362/219

(76) Inventors: **Victor Kelmelis**, 3833 Bledsoe Ave.,
Los Angeles, CA (US) 90066; **Maurice Cohen**, 6517 Hayes Dr., Los Angeles,
CA (US) 90048

* cited by examiner

Primary Examiner—Alan P. Douglas
Assistant Examiner—Clare E. Heflin
(74) *Attorney, Agent, or Firm*—Curtis L. Harrington

(**) Term: **14 Years**

(57) **CLAIM**

(21) Appl. No.: **29/137,588**

The ornamental design for a interspaced flush lighting assembly, as shown and described.

(22) Filed: **Feb. 23, 2001**

(51) **LOC (7) Cl.** **26-05**

(52) **U.S. Cl.** **D26/74; D26/76**

(58) **Field of Search** D26/75-79, 3;
362/217, 218, 219, 220, 221, 222, 223

DESCRIPTION

(56) **References Cited**

U.S. PATENT DOCUMENTS

2,506,951	A	*	5/1950	Doane	D26/77
3,846,072	A	*	11/1974	Patterson	362/218
4,042,819	A	*	8/1977	Dacal	362/222
4,045,665	A	*	8/1977	Williams et al.	362/223
4,109,305	A	*	8/1978	Claussen et al.	362/220
4,477,863	A	*	10/1984	Walz	362/217
D312,319	S	*	11/1990	Kunz	D26/72
5,624,178	A	*	4/1997	Lee, Jr.	362/220
5,755,507	A	*	5/1998	Hucks	362/217

FIG. 1 is a lower perspective view of the interspaced flush lighting assembly, with the housing shown broken away to depict indeterminate length and with the cover in exploded view for illustrative purposes only;

FIG. 2 is a view as in FIG. 1 with the cover in place;

FIG. 3 is a side view, the opposite side view being identical;

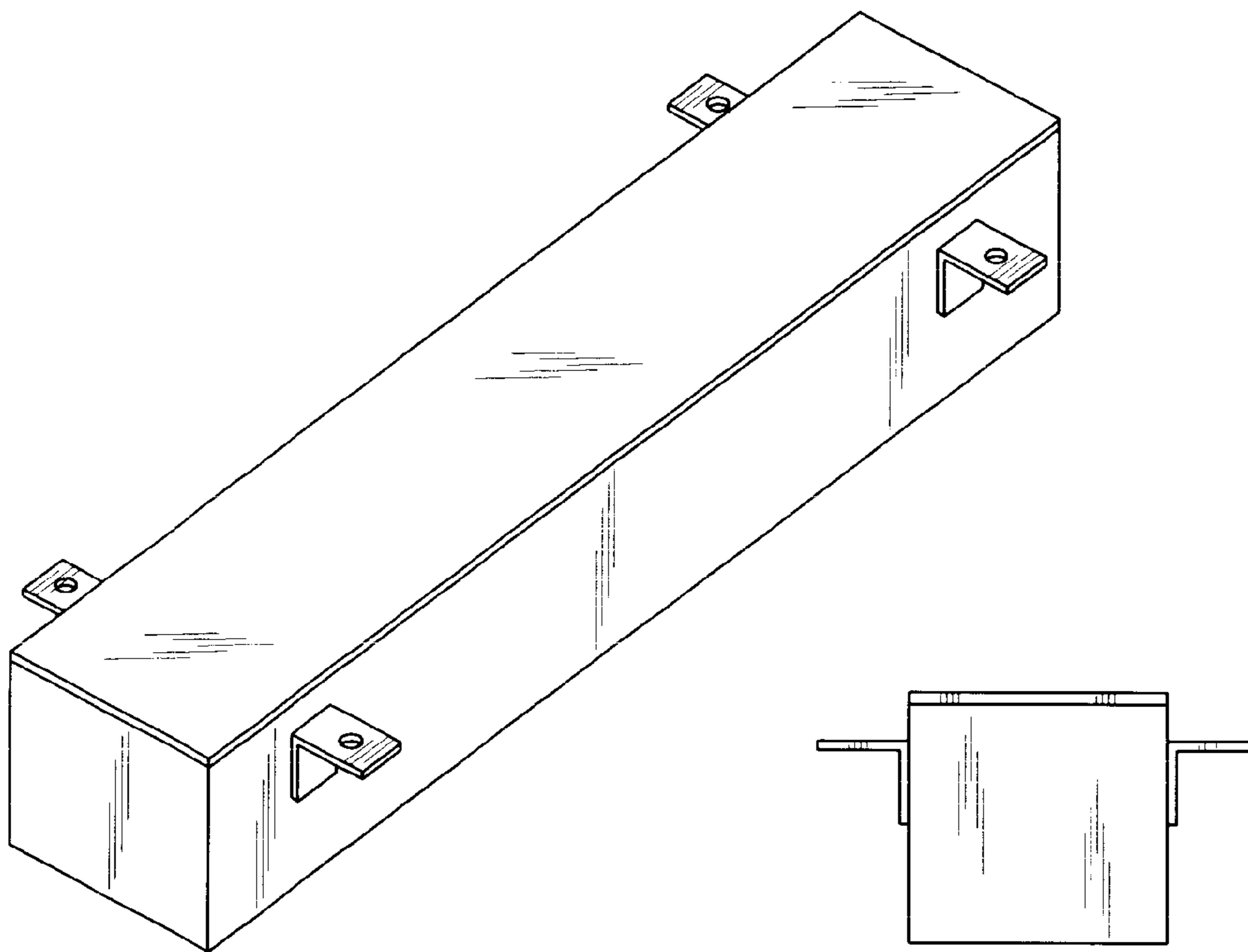
FIG. 4 is an end view, the opposite end view being identical;

FIG. 5 is a rear view; and,

FIG. 6 is a plan frontal view.

In FIG. 1 the sections of mirror or wall shown adjacent the fixture, and the fluorescent bulbs are shown in broken lines for illustrative purposes only and form no part of the claimed design.

1 Claim, 3 Drawing Sheets



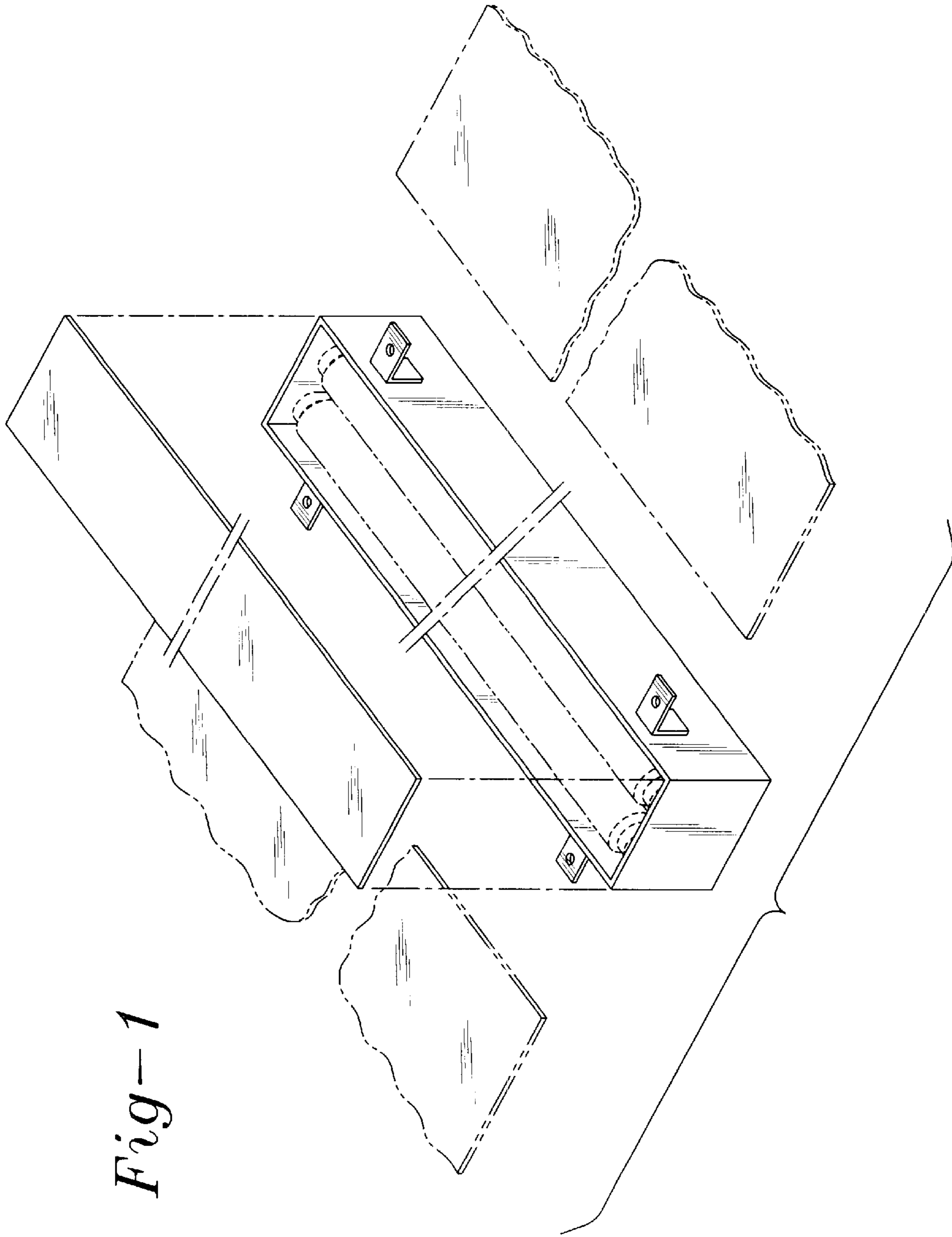


Fig-1

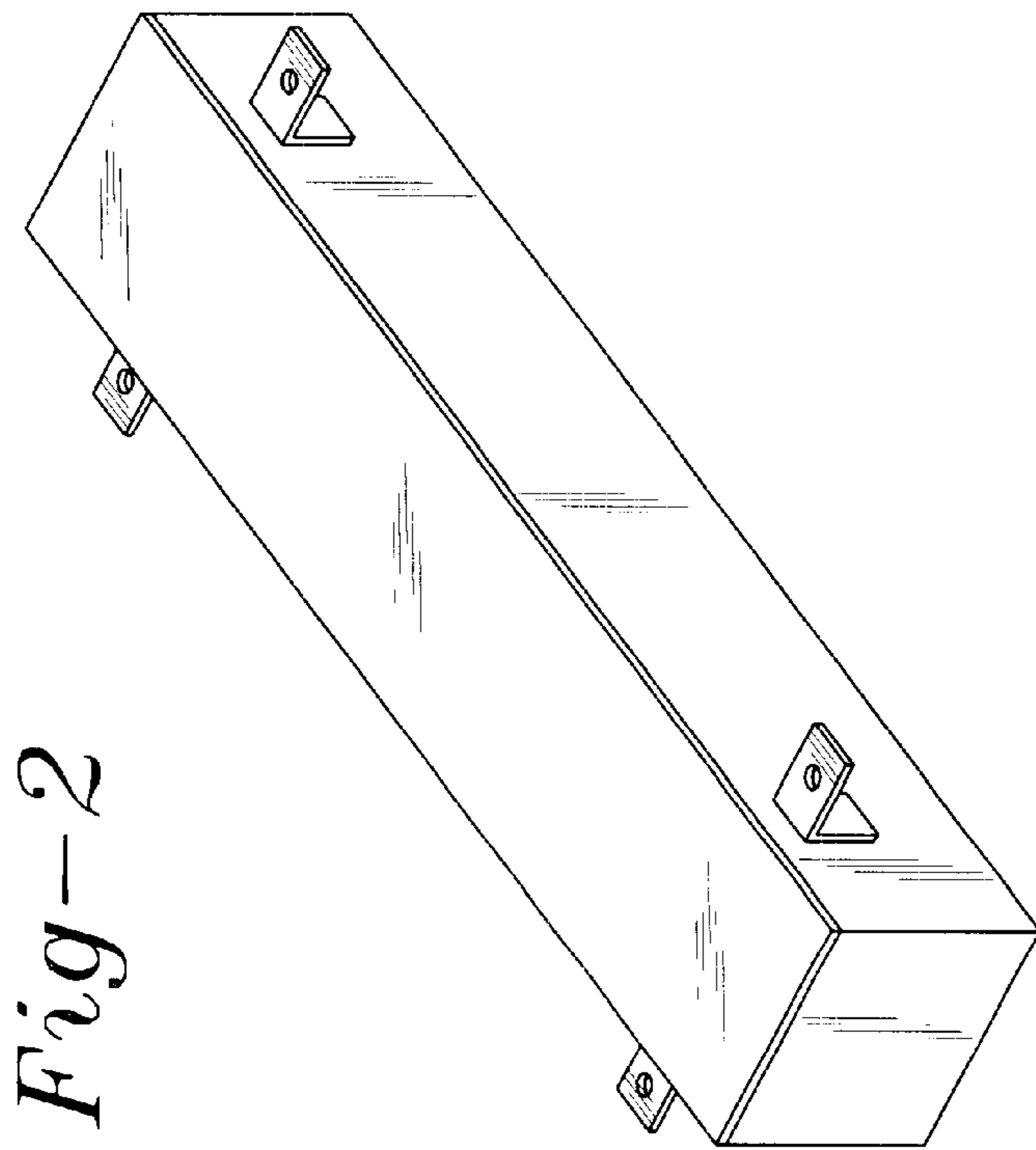


Fig-2

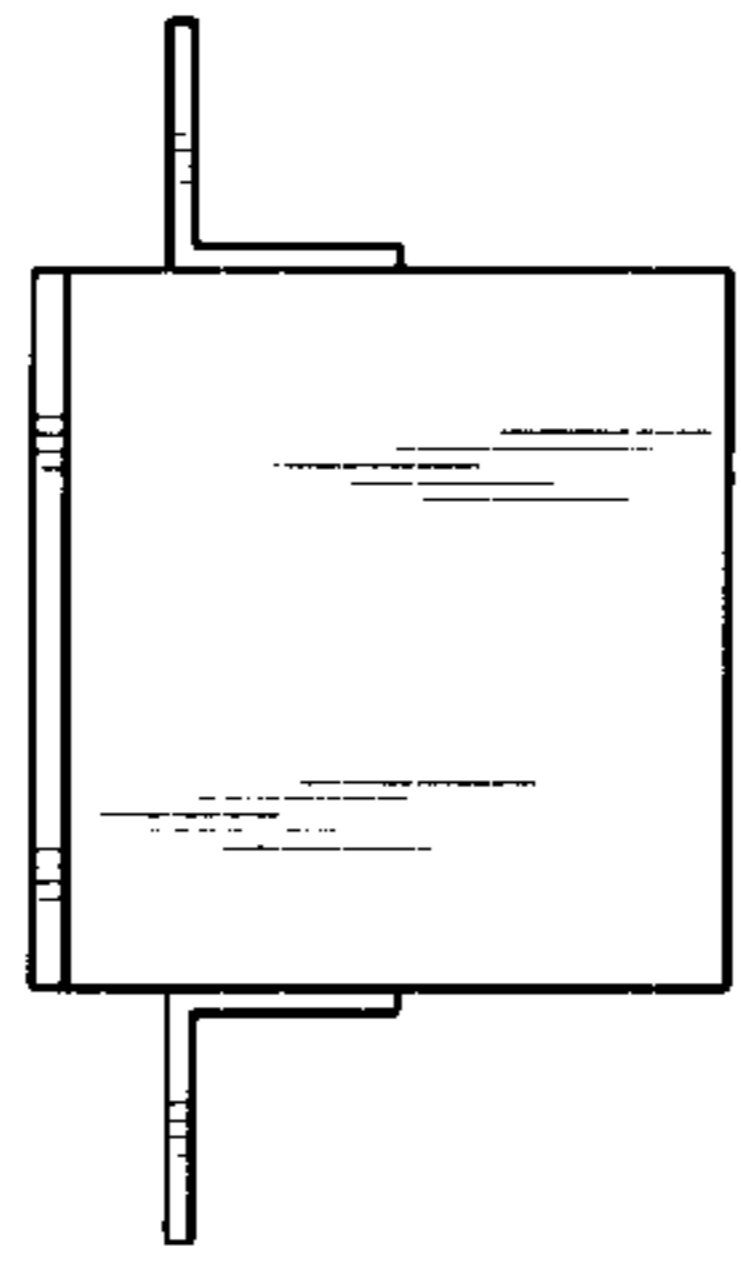


Fig-4

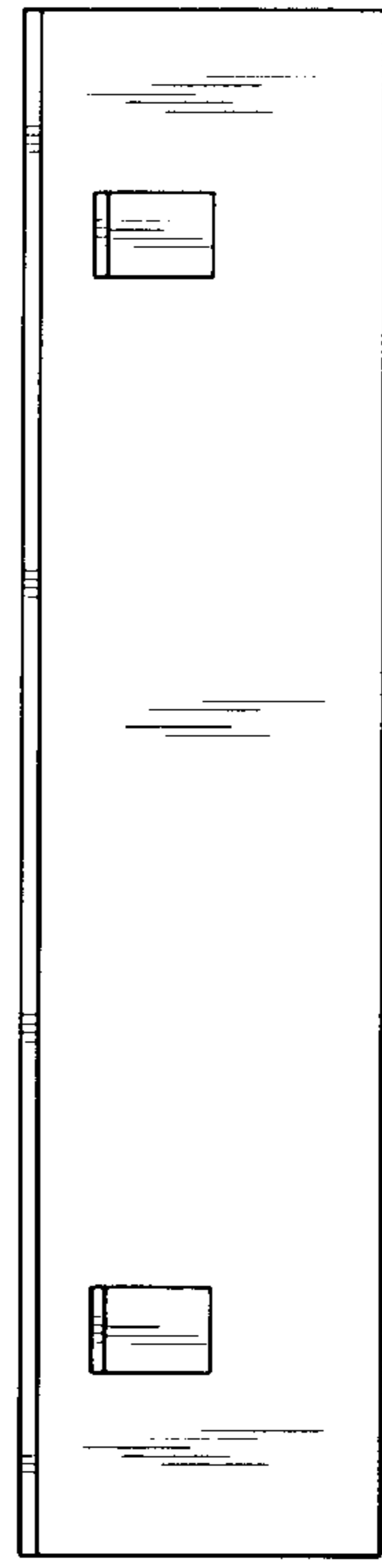


Fig-3

Fig-6

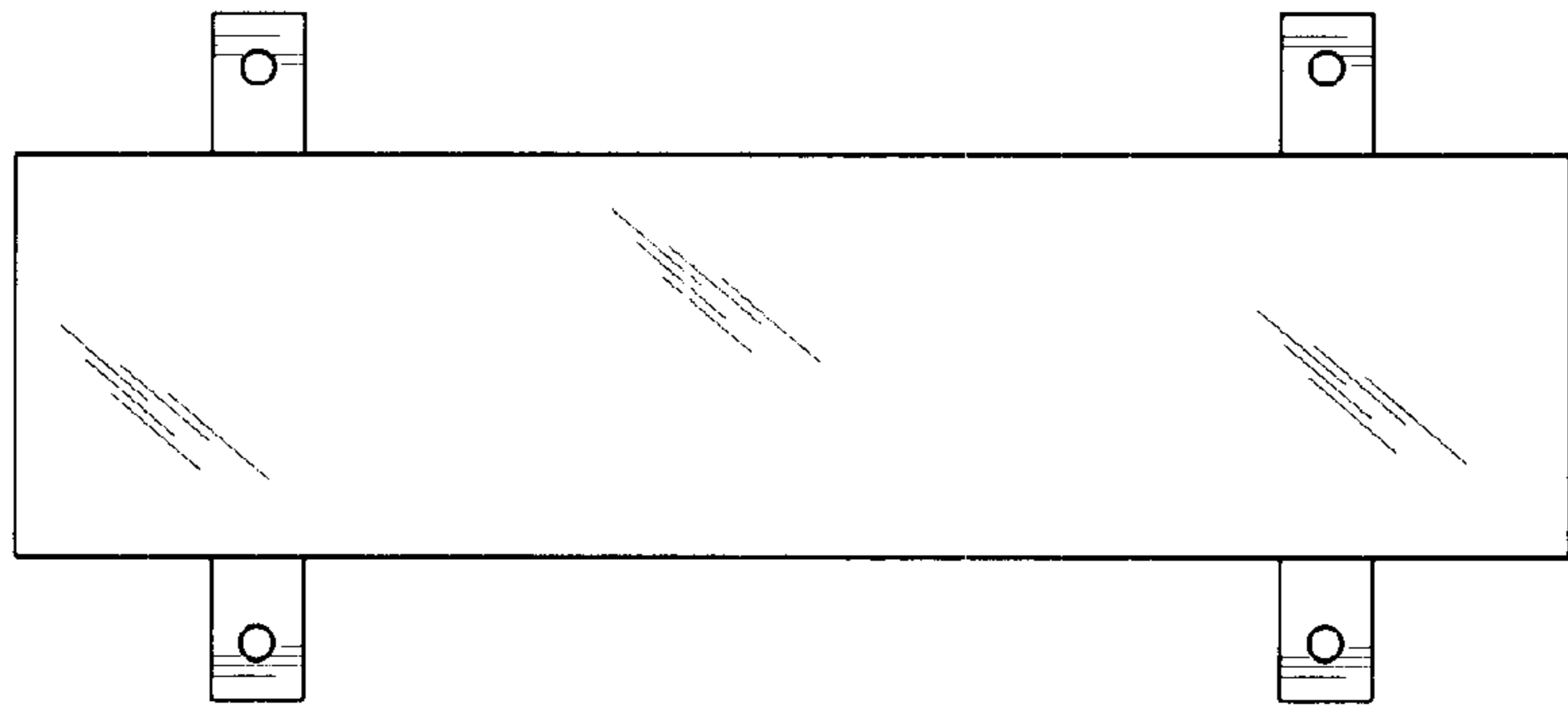


Fig-5

