



US00D473669S

(12) **United States Design Patent**
Hille et al.

(10) **Patent No.:** **US D473,669 S**

(45) **Date of Patent:** **** Apr. 22, 2003**

(54) **LIGHTING FIXTURE**

(75) Inventors: **Jonathan D. Hille**, Tempe, AZ (US);
Jeffrey B. Berghoff, Gilbert, AZ (US);
Jon T. Lundquist, Chandler, AZ (US)

(73) Assignee: **Atom Lighting, Inc.**, Tempe, AZ (US)

(**) Term: **14 Years**

(21) Appl. No.: **29/158,080**

(22) Filed: **Mar. 28, 2002**

(51) **LOC (7) Cl.** **26-05**

(52) **U.S. Cl.** **D26/63**

(58) **Field of Search** D26/60-72, 44;
362/269, 270, 275, 277, 278, 281, 283-286,
289, 401, 402, 423, 427

(56) **References Cited**

U.S. PATENT DOCUMENTS

3,798,438 A * 3/1974 Menichetti 362/282
D232,656 S * 9/1974 Aulenti D26/63

D253,853 S * 1/1980 Gerber D26/63
D463,599 S * 9/2002 Hille et al. D26/67
D463,600 S * 9/2002 Hille et al. D26/67

* cited by examiner

Primary Examiner—Alan P. Douglas

Assistant Examiner—Clare E. Heflin

(74) *Attorney, Agent, or Firm*—Snell & Wilmer, L.L.P.

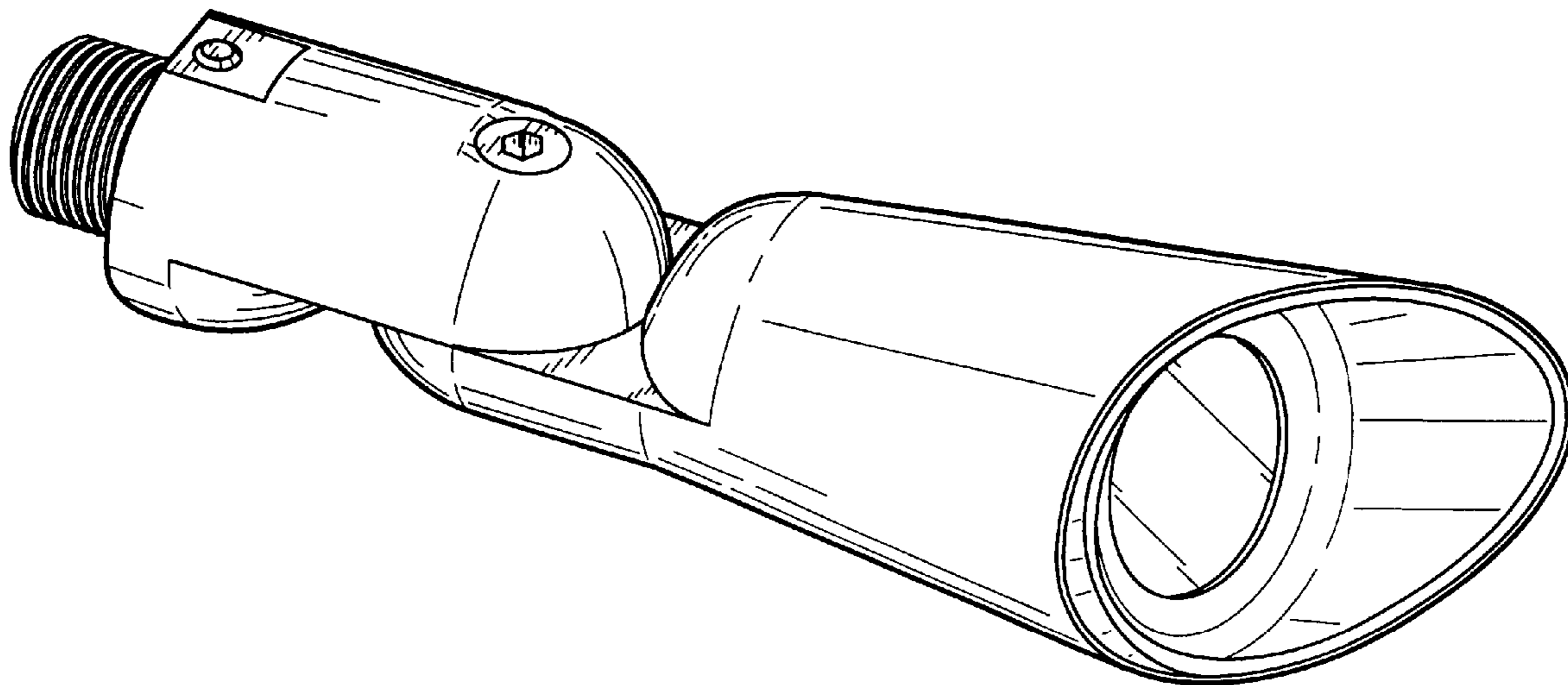
(57) **CLAIM**

The ornamental design for the lighting fixture, as shown and described.

DESCRIPTION

FIG. 1 is a front view of a lighting fixture showing our new design;
FIG. 2 is a back view thereof;
FIG. 3 is a side view thereof;
FIG. 4 is an opposite side view thereof;
FIG. 5 is a top view thereof;
FIG. 6 is a bottom view thereof; and,
FIG. 7 is a perspective view thereof.

1 Claim, 4 Drawing Sheets



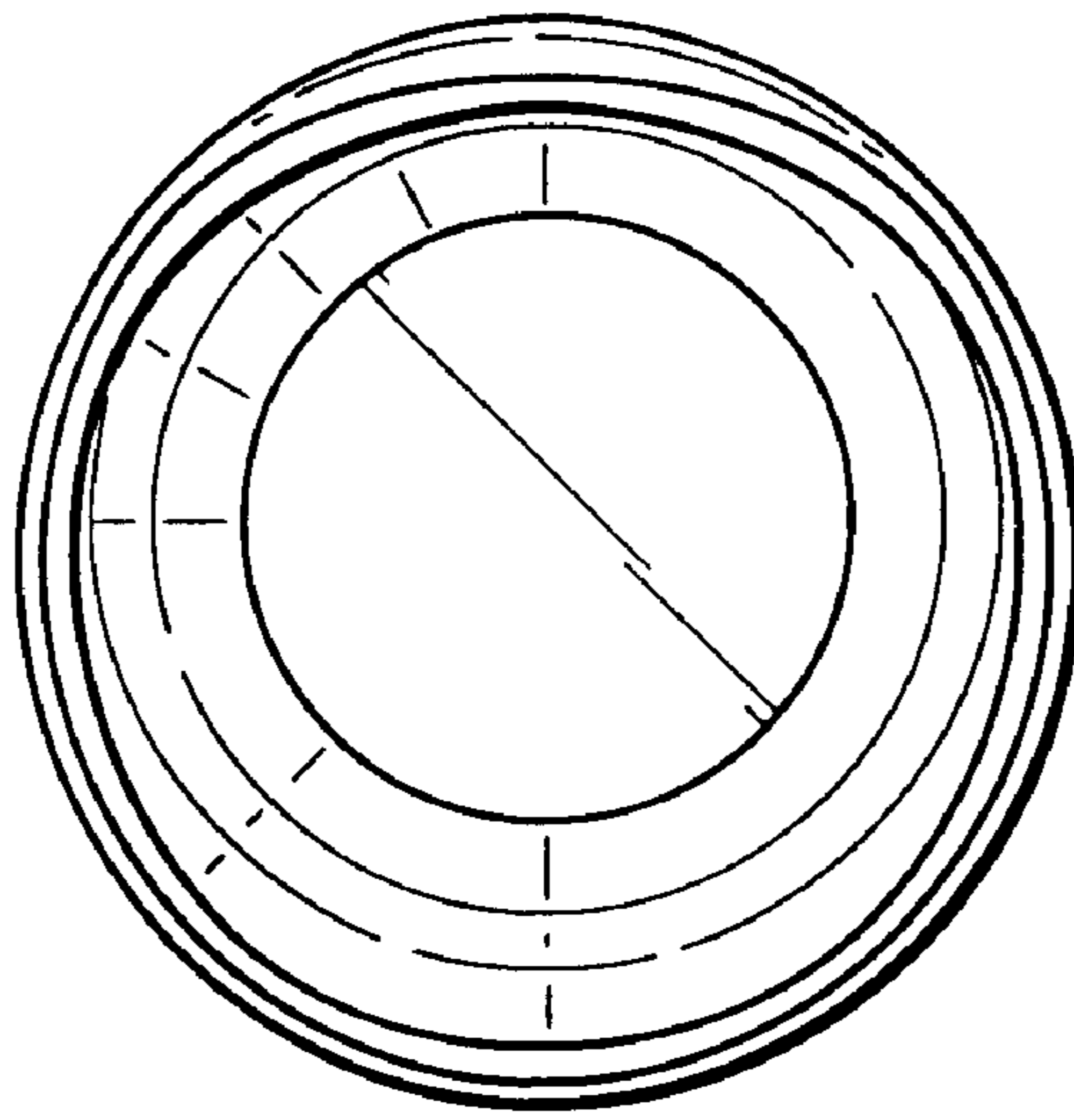


FIG. 1

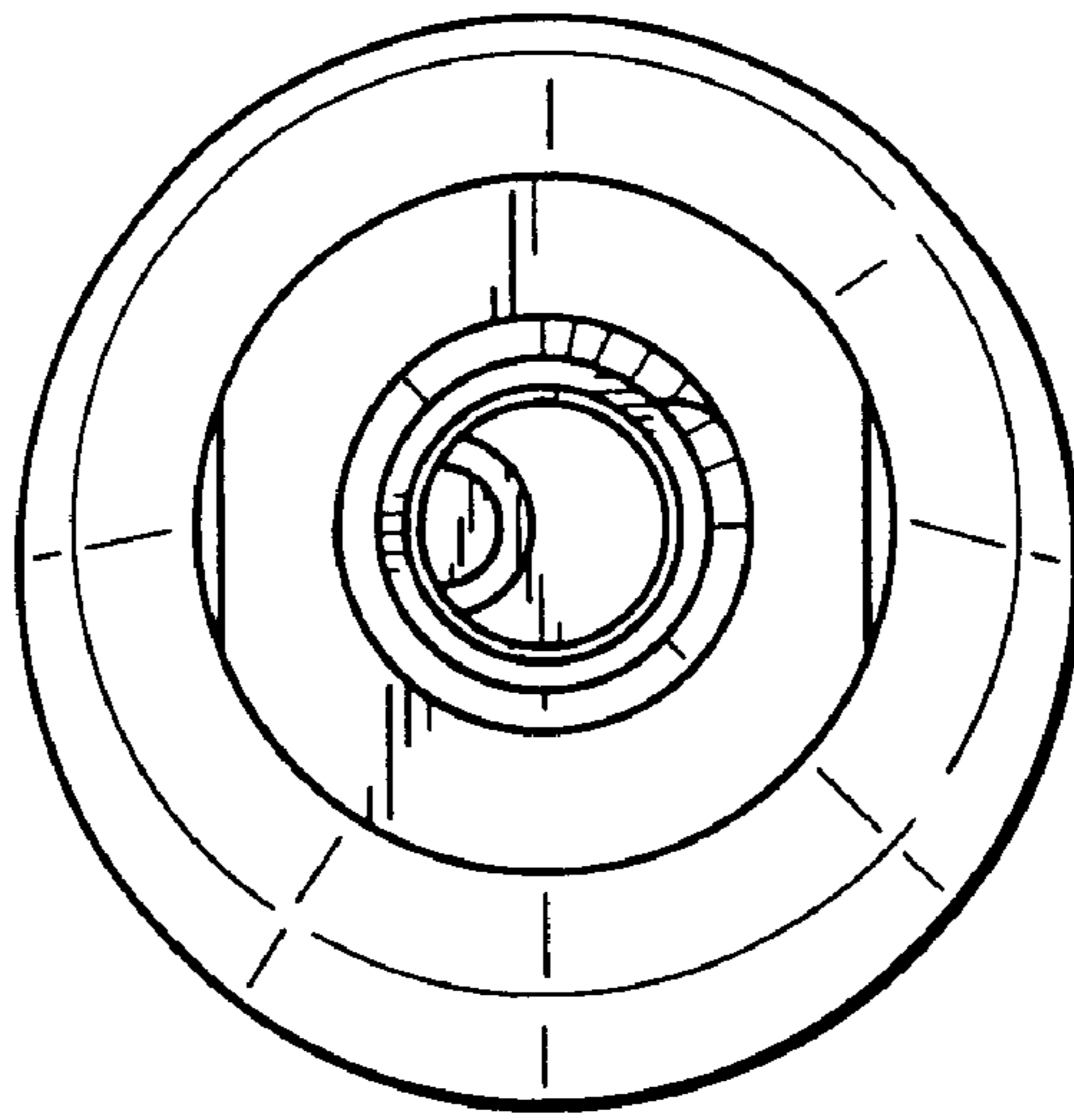


FIG. 2

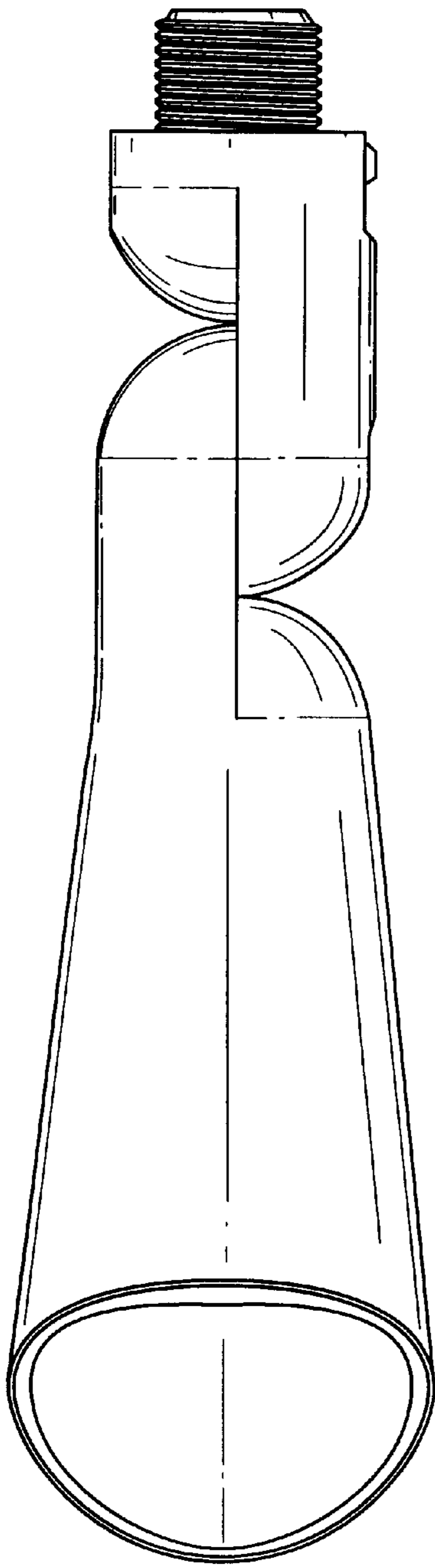


FIG.3

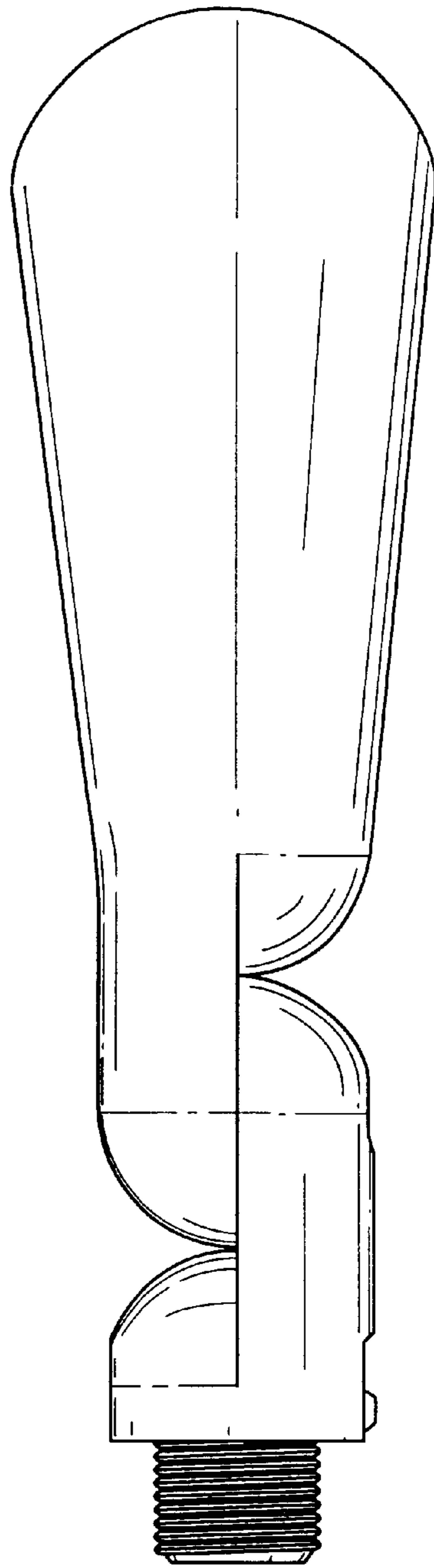


FIG.4

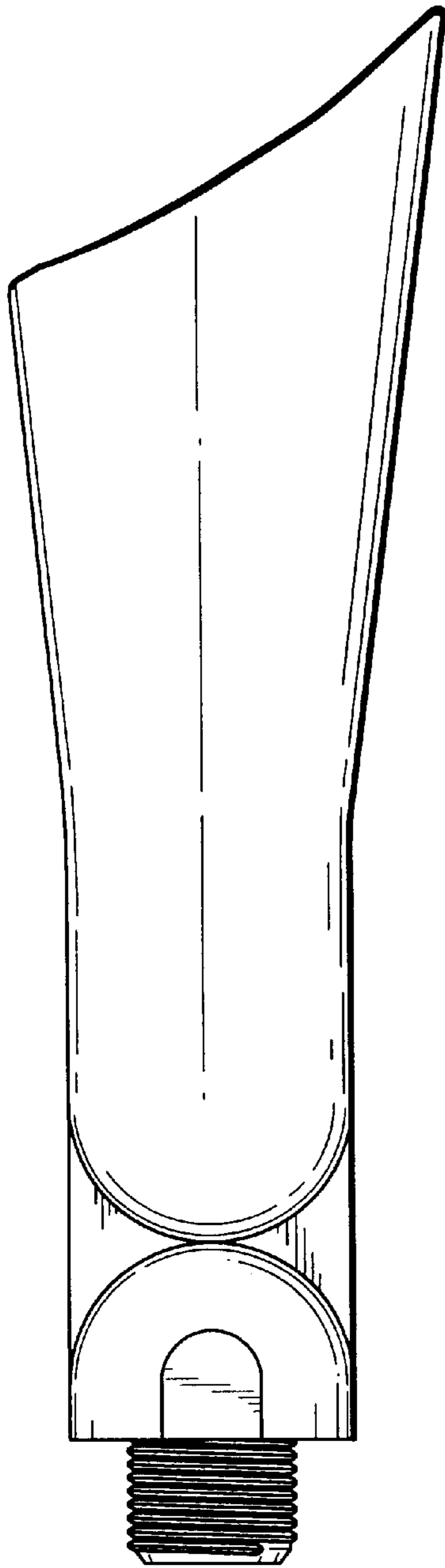


FIG. 5

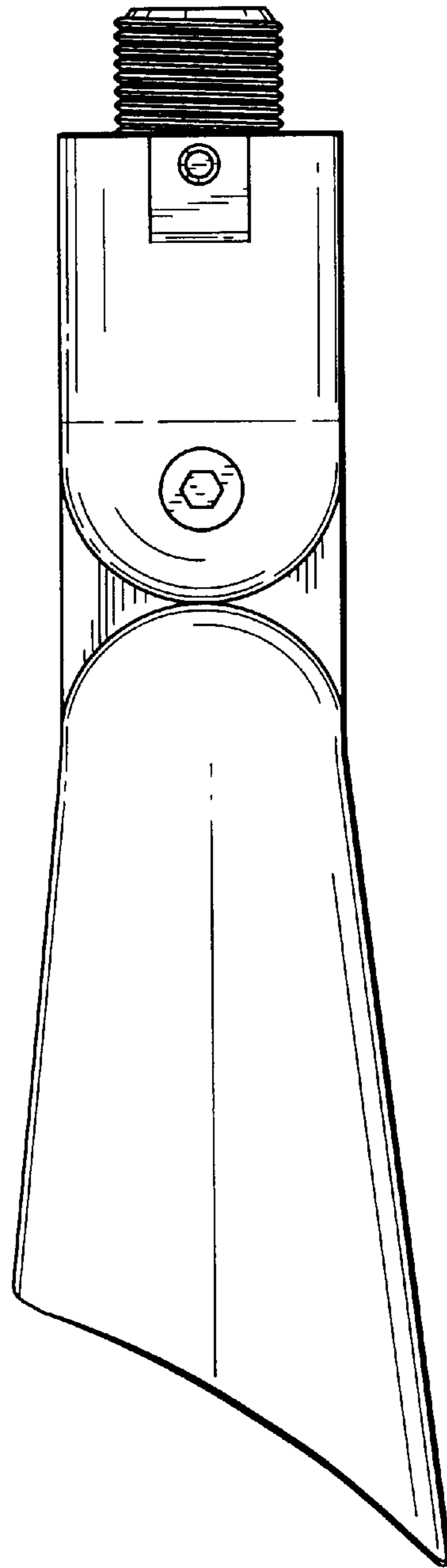


FIG. 6

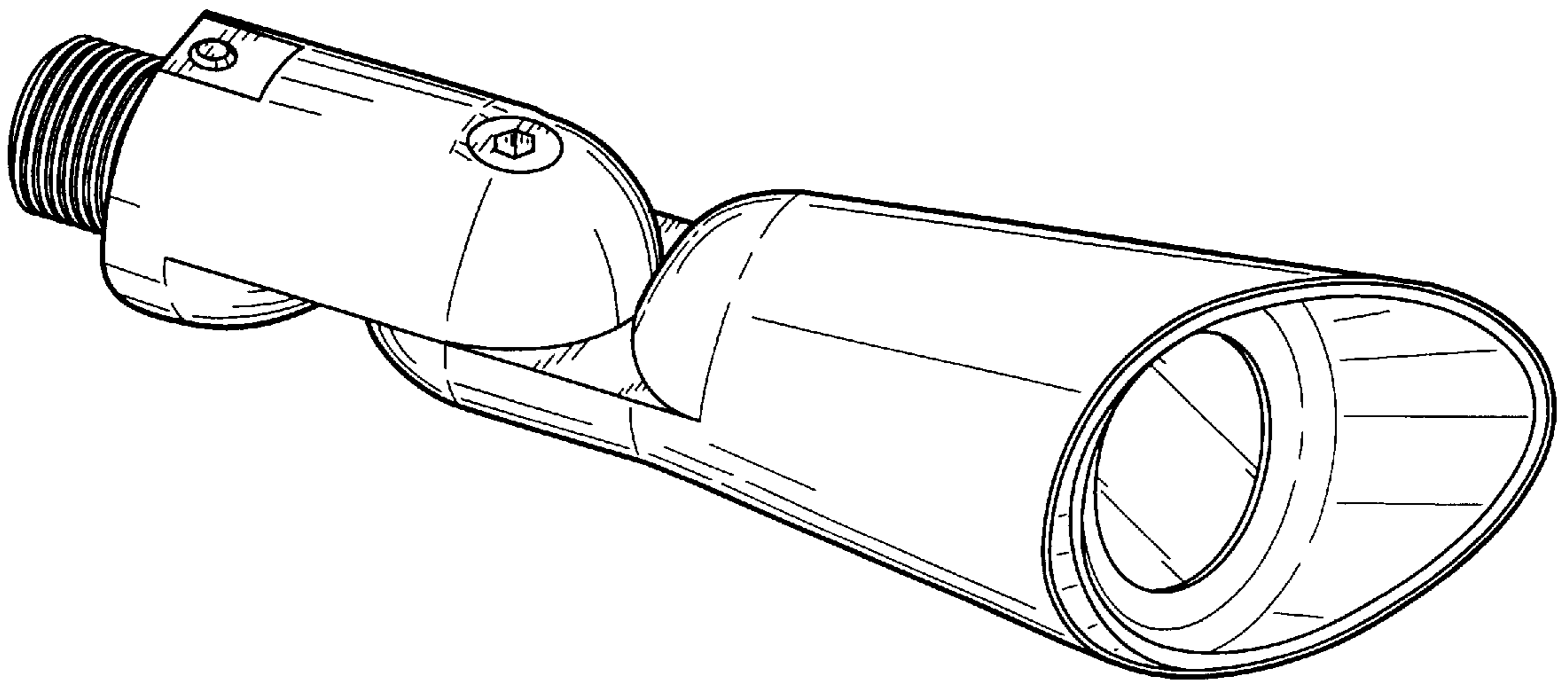


FIG.7