



US00D473664S

(12) **United States Design Patent**
Perkins et al.

(10) **Patent No.:** **US D473,664 S**

(45) **Date of Patent:** **** Apr. 22, 2003**

(54) **SLATWALL**

(75) Inventors: **Travis M. Perkins**, Evansville, IN (US); **Thomas W. Arent**, St. Joseph, MI (US); **Todd C. Starr**, St. Joseph, MI (US); **Ty Sampson**, Columbus, OH (US)

(73) Assignee: **Whirlpool Corporation**, Benton Harbor, MI (US)

(**) Term: **14 Years**

(21) Appl. No.: **29/159,767**

(22) Filed: **Apr. 26, 2002**

(51) **LOC (7) Cl.** **25-01**

(52) **U.S. Cl.** **D25/138**

(58) **Field of Search** D25/138; 52/36.5, 52/588.1

(56) **References Cited**

U.S. PATENT DOCUMENTS

4,607,753 A	8/1986	Radek	211/87
D338,076 S	8/1993	Current	D25/123
D393,099 S	3/1998	Current	D25/123
D393,907 S	4/1998	Current	D25/122
D395,089 S	6/1998	Current	D25/123
D399,010 S	9/1998	Current	D25/123
D399,012 S	9/1998	Current	D25/123

D400,270 S	10/1998	Current	D25/123
5,819,490 A	10/1998	Current	52/588.1
D403,085 S	12/1998	Current	D25/123
D404,148 S	1/1999	Laskowski et al.	D25/123
5,899,344 A	5/1999	Current et al.	211/94.01
D414,567 S	9/1999	Burt et al.	D25/123
6,134,846 A	* 10/2000	Lamb		

* cited by examiner

Primary Examiner—Doris Clark

(74) *Attorney, Agent, or Firm*—Stephen Krefman; Robert O. Rice; John F. Colligan

(57) **CLAIM**

We claim the ornamental design for a slatwall, as shown and described.

DESCRIPTION

FIG. 1 is a left front perspective view of the design of the present invention.

FIG. 2 is a front elevational view thereof;

FIG. 3 is a rear elevational view thereof,

FIG. 4 is a right elevational view thereof,

FIG. 5 is a left elevational view thereof,

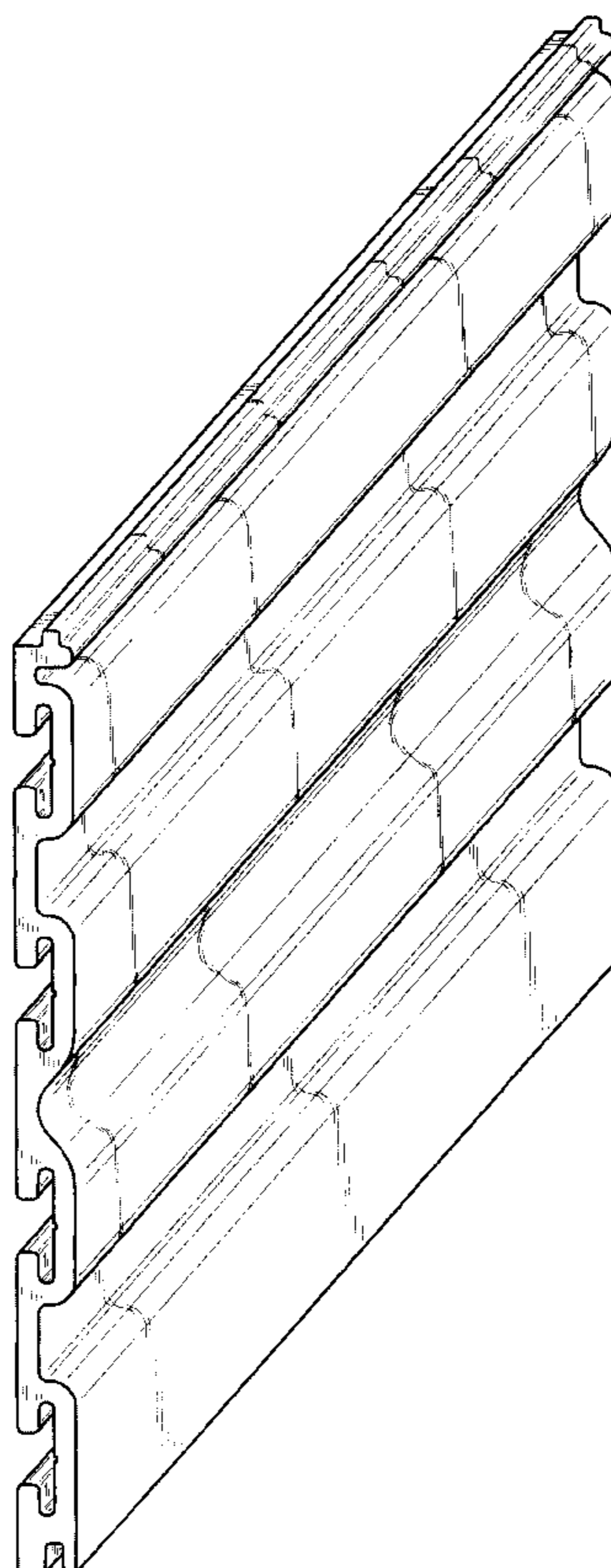
FIG. 6 is a top plan view thereof,

FIG. 7 is a bottom view thereof,

FIG. 8 is an enlarged partial right side view thereof; and,

FIG. 9 is front right perspective view thereof.

1 Claim, 5 Drawing Sheets



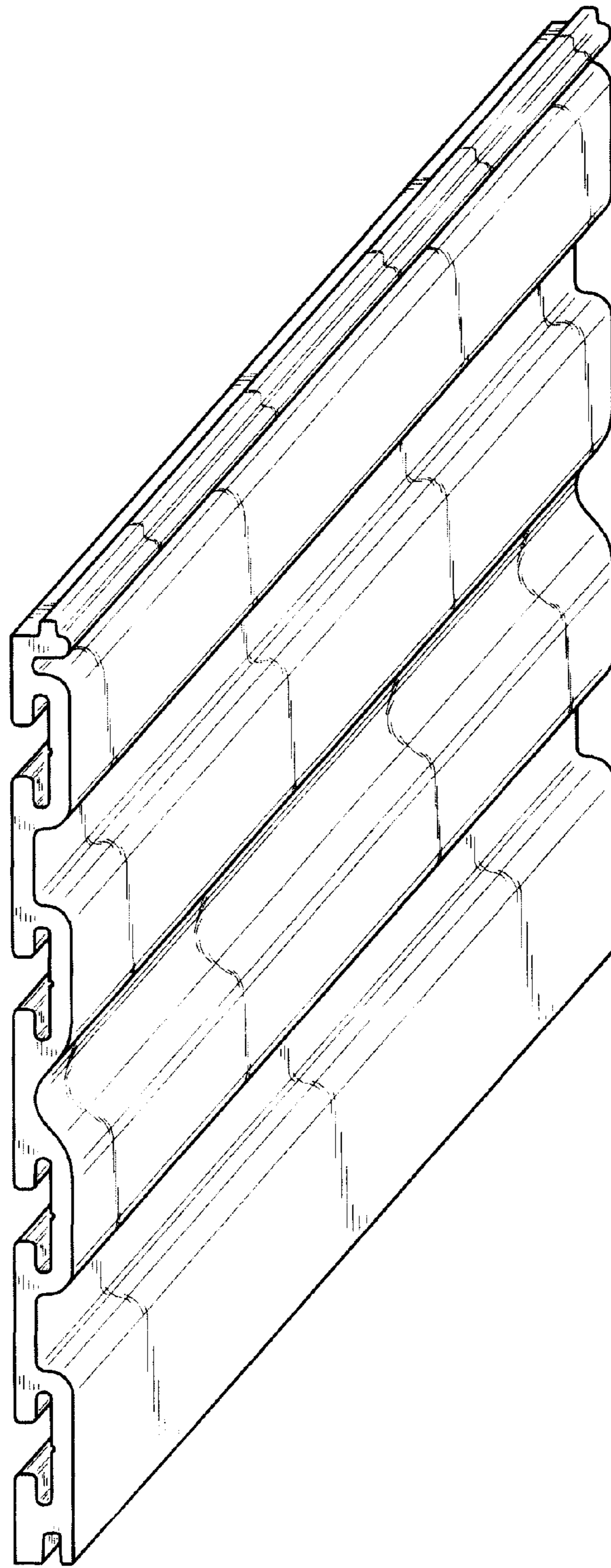


Fig. 1

Fig. 2

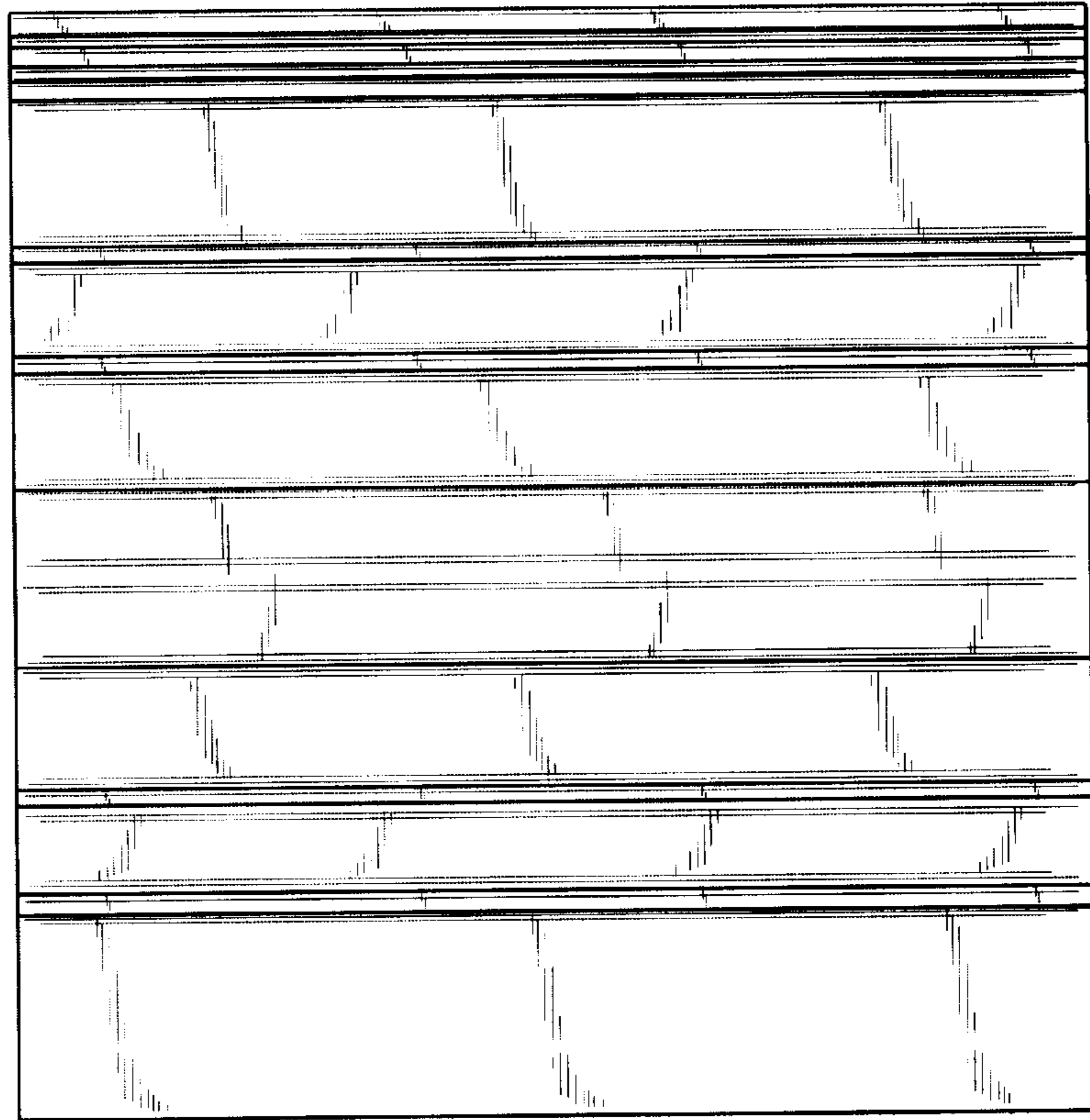
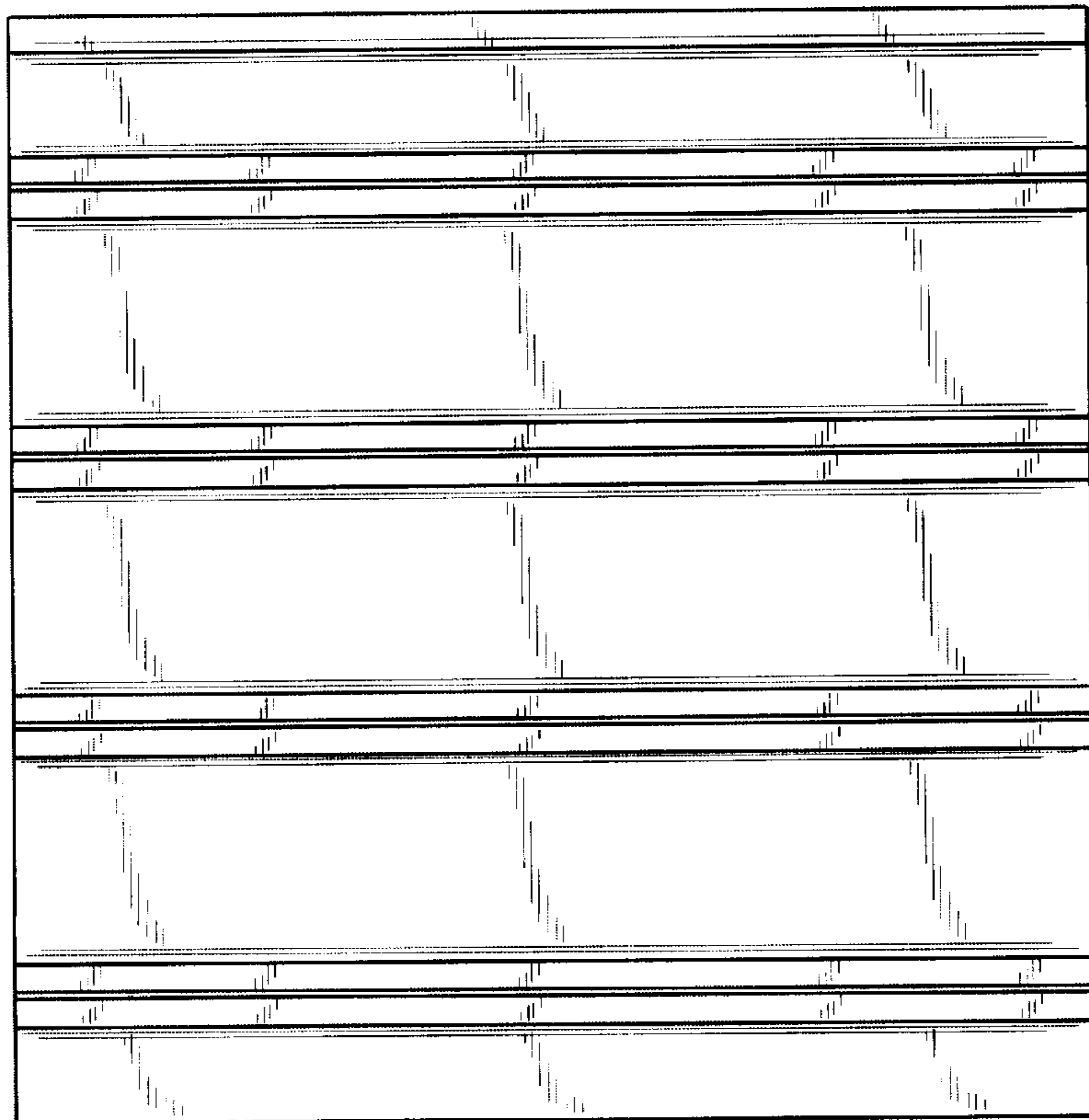


Fig. 3



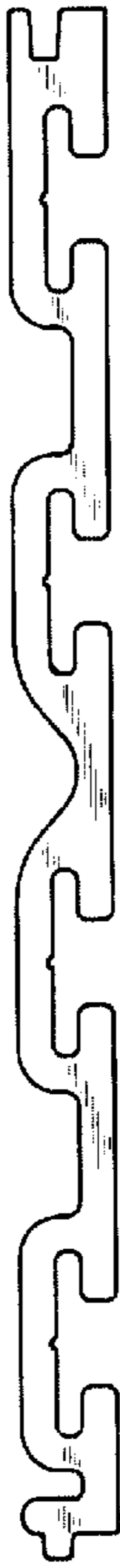


Fig. 4

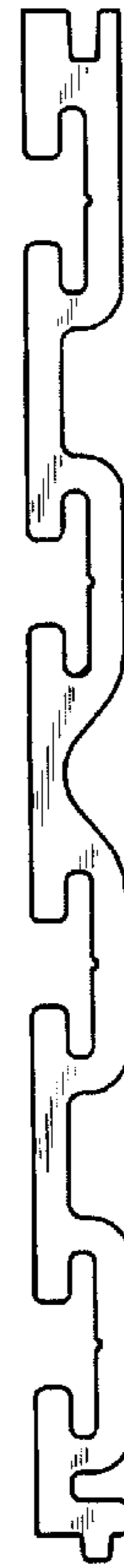


Fig. 5



Fig. 6

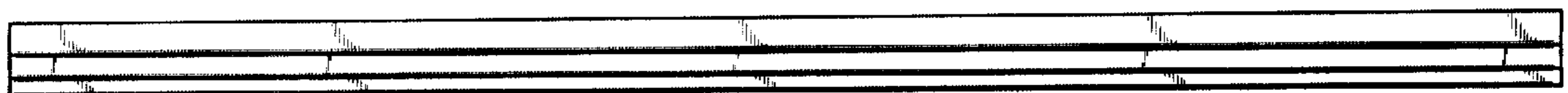


Fig. 7

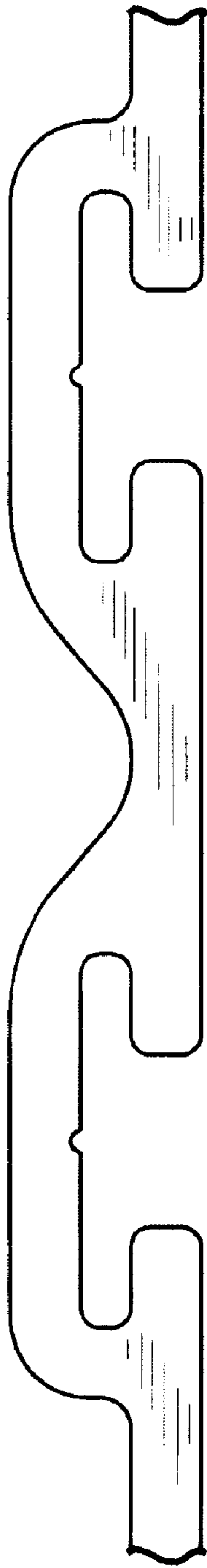


Fig. 8

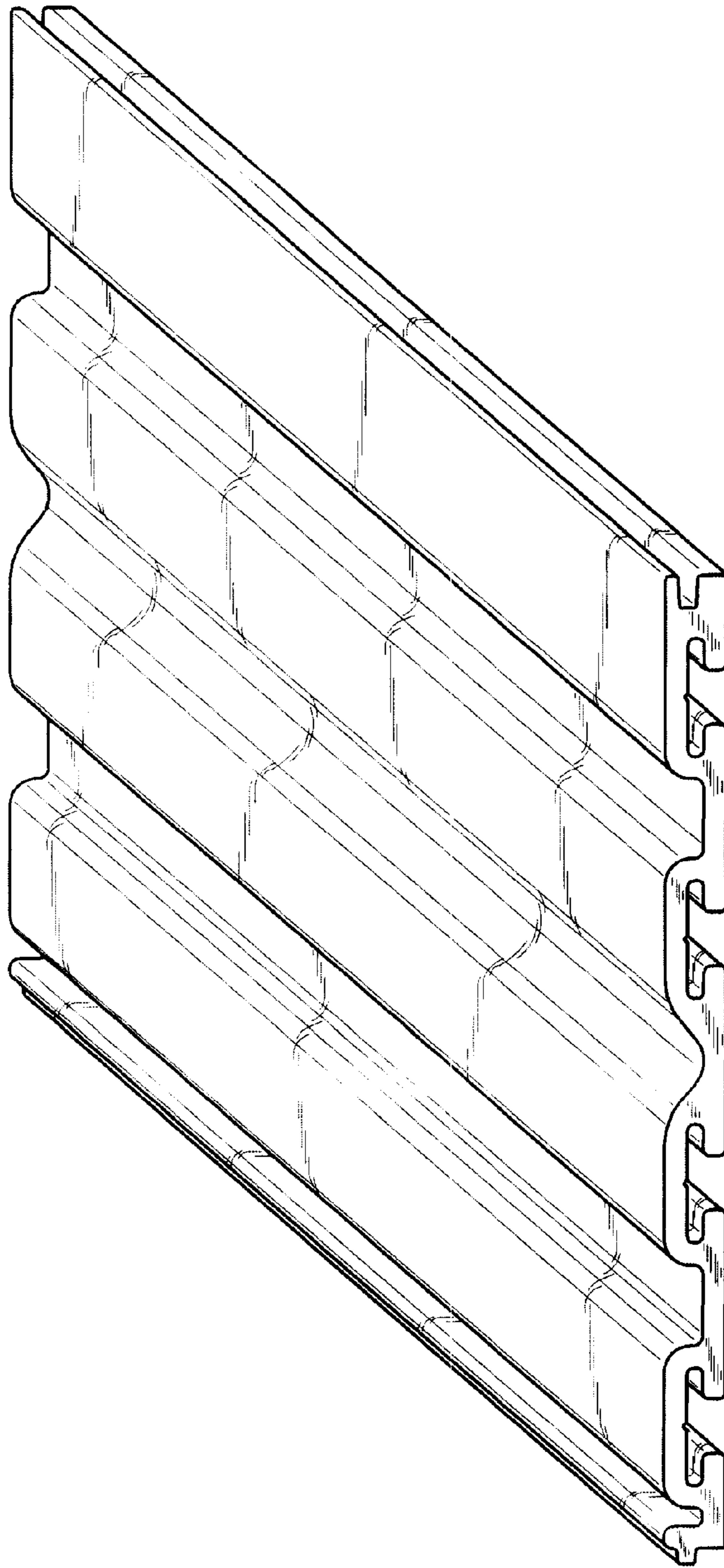


Fig. 9