



US00D473663S

(12) **United States Design Patent**  
**Chou**

(10) **Patent No.:** **US D473,663 S**

(45) **Date of Patent:** **\*\* Apr. 22, 2003**

(54) **TUBE**

(76) **Inventor:** **Tser-Wen Chou**, 19464 Via Del  
Caballo, Yorba Linda, CA (US) 92686

(\*\*) **Term:** **14 Years**

(21) **Appl. No.:** **29/145,855**

(22) **Filed:** **Jul. 30, 2001**

(51) **LOC (7) Cl.** ..... **25-01**

(52) **U.S. Cl.** ..... **D25/122; D6/580**

(58) **Field of Search** ..... D6/575-580, 499,  
D6/495; D8/376, 377, 380; D25/121-123,  
126, 131, 164; 160/47, 66-68, 383, 384,  
391-399, 403; 16/87 R, 95, 87.4 R; 52/720.1,  
731.3, 732.1, 732.2, 740.2, 740.3, 740.4,  
740.6; 248/266-273; 211/105.1, 123, 124,  
182, 183; 403/331, 363, 359.5, 359.6; 138/156,  
166, 168, 177, DIG. 11

(56) **References Cited**

**U.S. PATENT DOCUMENTS**

- 1,202,288 A \* 10/1916 Hartshorn ..... 160/391
- 1,553,862 A \* 9/1925 Kirsch ..... 160/398
- D245,756 S \* 9/1977 McKee ..... D8/376
- D337,257 S \* 7/1993 Danieli ..... D8/376

- 5,671,795 A \* 9/1997 Keil ..... 160/384
- D412,142 S \* 7/1999 Dickie ..... D12/133
- D415,574 S \* 10/1999 Shrira ..... D25/61
- 6,024,152 A \* 2/2000 Rosenich ..... 160/22
- D441,877 S \* 5/2001 Fortier ..... D25/122

\* cited by examiner

*Primary Examiner*—Philip S. Hyder

*Assistant Examiner*—C Tuttle

(74) *Attorney, Agent, or Firm*—Curtis L. Harrington

(57) **CLAIM**

The ornamental design for a tube, as shown and described.

**DESCRIPTION**

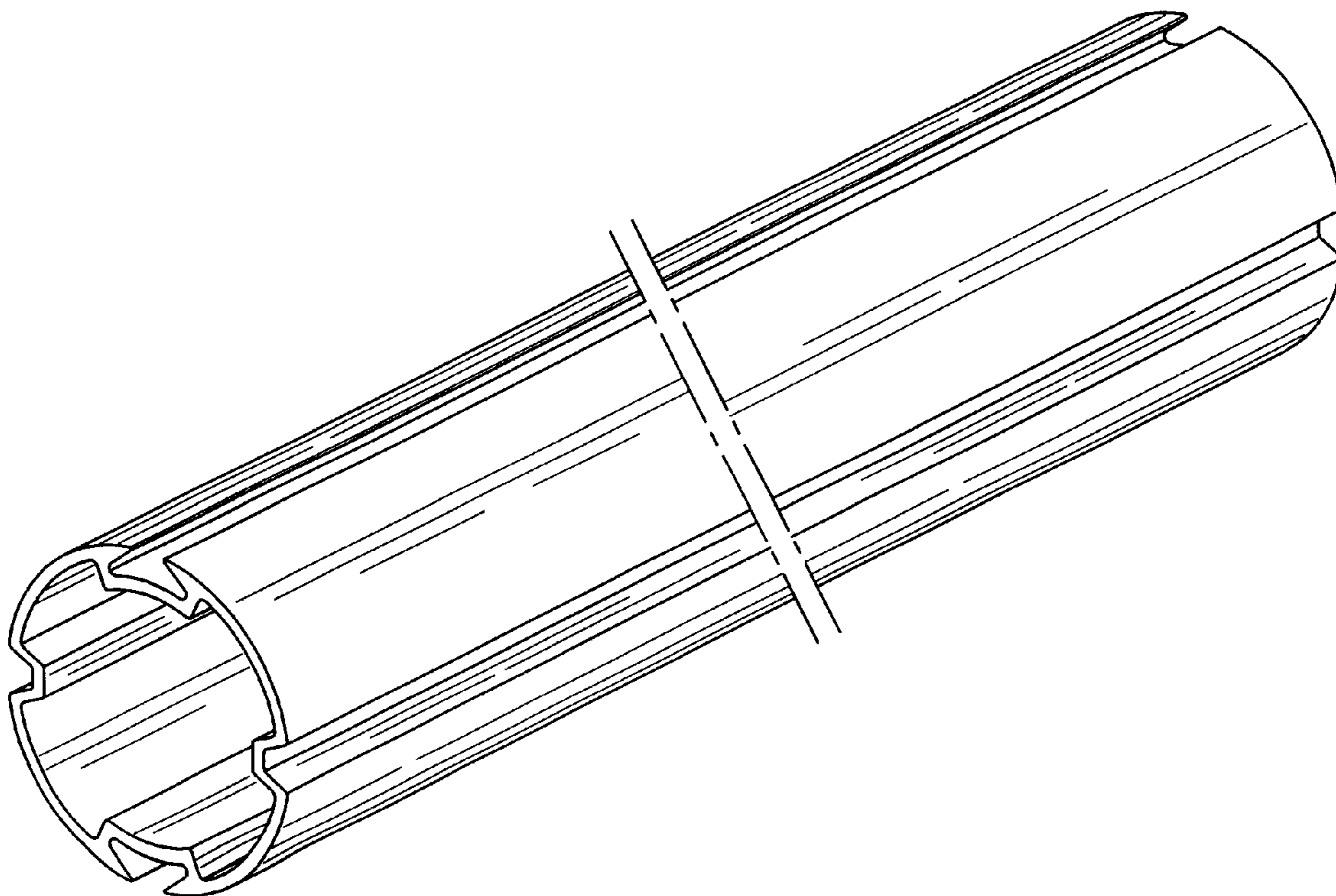
FIG. 1 is a perspective view of the tube, showing my new design;

FIG. 2 is an end view of one end of the tube, the other end of the tube being an identical view, necessary to show the internal and external features of the tube;

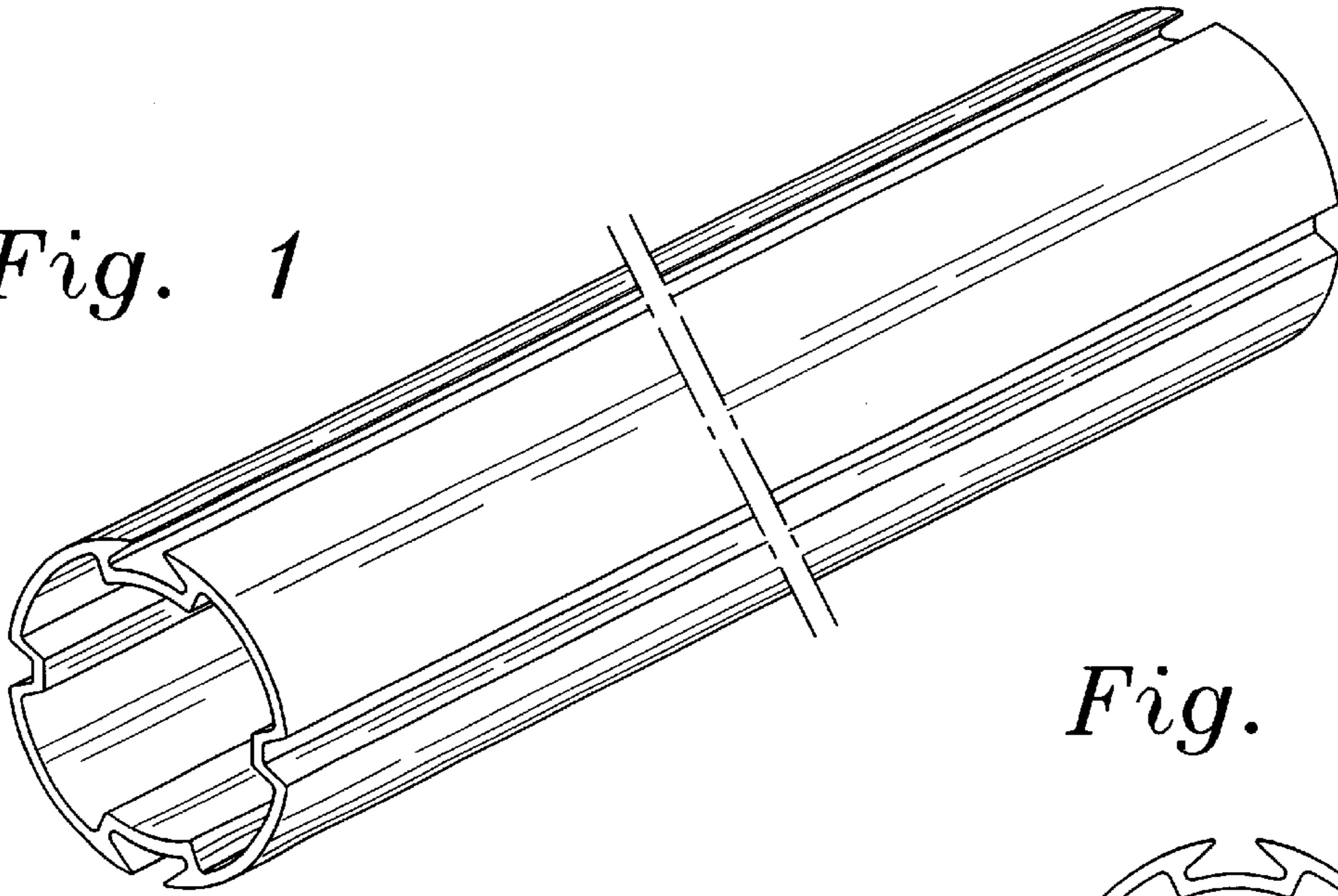
FIG. 3 is a top side view thereof, the bottom view being the same; and,

FIG. 4 is a right side view thereof, the left side view being the same, the tube is shown partially broken away by the dashed lines in FIGS. 1, 3, and 4 to indicate indeterminate length.

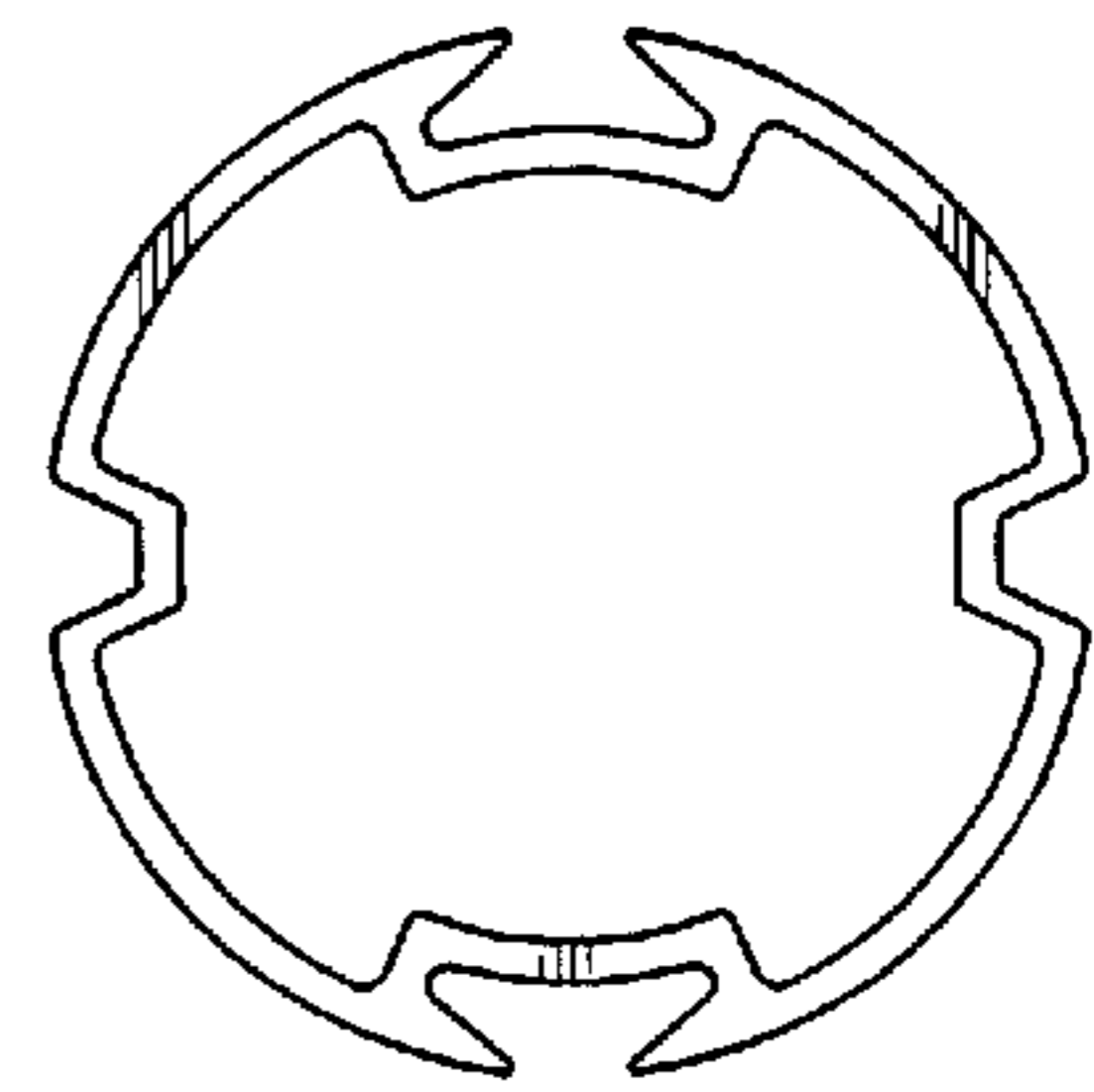
**1 Claim, 1 Drawing Sheet**



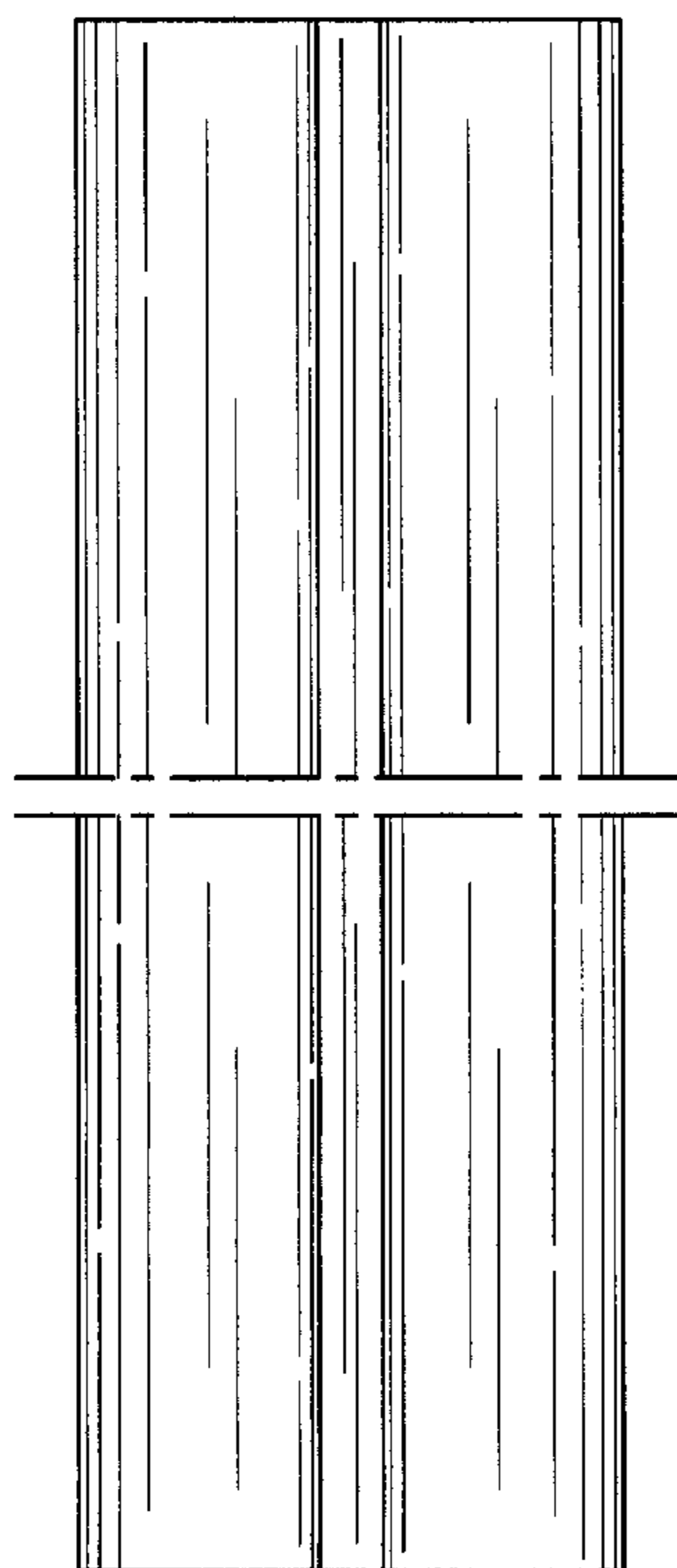
*Fig. 1*



*Fig. 2*



*Fig. 3*



*Fig. 4*

