



US00D473662S

(12) **United States Design Patent**
Shaw

(10) **Patent No.:** **US D473,662 S**

(45) **Date of Patent:** **** Apr. 22, 2003**

(54) **DETACHABLE LINEAL FOR DOORS AND WINDOWS**

(75) **Inventor:** **Robert Shaw**, Parma, MI (US)

(73) **Assignee:** **CertainTeed Corporation**, Valley Forge, PA (US)

(**) **Term:** **14 Years**

(21) **Appl. No.:** **29/162,425**

(22) **Filed:** **Jun. 13, 2002**

Related U.S. Application Data

(63) Continuation of application No. 09/783,501, filed on Feb. 14, 2001.

(51) **LOC (7) Cl.** **25-01**

(52) **U.S. Cl.** **D25/119; D25/125**

(58) **Field of Search** 52/211, 287, 656.2, 52/716.8, 717.01, 718.04, 718.06, 717.05, 717.06; D25/119, 125

(56) **References Cited**

U.S. PATENT DOCUMENTS

3,525,188 A	8/1970	Torbett	52/288.1
3,748,815 A	7/1973	Parker	52/714
D244,500 S	* 5/1977	Copeland	D25/125
4,189,885 A	2/1980	Fritz	52/287
4,339,898 A	7/1982	Pichette	52/94
D276,656 S	* 12/1984	Lindstrom	D25/119
5,018,325 A	5/1991	Geen et al.	52/211
D331,916 S	* 12/1992	DuBrucq	D25/125
5,282,344 A	2/1994	Moore	52/716.8
5,392,579 A	2/1995	Champagne	52/520
5,444,954 A	8/1995	Anderson	52/288.1
5,519,969 A	5/1996	Golba	52/60
5,675,955 A	10/1997	Champagne	52/521
5,829,206 A	11/1998	Bachman	52/92
5,836,113 A	11/1998	Bachman	52/287.1 X
5,941,033 A	* 8/1999	Adams	52/211
D420,274 S	2/2000	Lappin et al.	D8/354

6,047,507 A	4/2000	Lappin et al.	52/212
6,067,691 A	5/2000	Feltman	24/295
6,115,982 A	9/2000	Lindenberg	52/287.1 X
6,272,797 B1	8/2001	Finger	52/94
6,408,589 B1	6/2002	Bousquet	52/714

FOREIGN PATENT DOCUMENTS

FR	2571557	4/1986	52/287.1
GB	2238070	5/1991	52/717.01
WO	WO 83/01640	5/1983	52/211

* cited by examiner

Primary Examiner—Doris Clark

(74) *Attorney, Agent, or Firm*—Duane Morris LLP

(57) **CLAIM**

The ornamental design for a detachable lineal for doors and windows, as shown and described.

DESCRIPTION

FIG. 1 is an isometric view of a first embodiment of a detachable lineal for doors and windows according to the present invention.

FIG. 2 is an elevation view of the detachable lineal for doors and windows shown in FIG. 1.

FIG. 3 is a left side elevation view of the detachable lineal for doors and windows shown in FIG. 1.

FIG. 4 is a right side elevation view of the detachable lineal for doors and windows shown in FIG. 1.

FIG. 5 is a bottom plan view of the detachable lineal for doors and windows shown in FIG. 1.

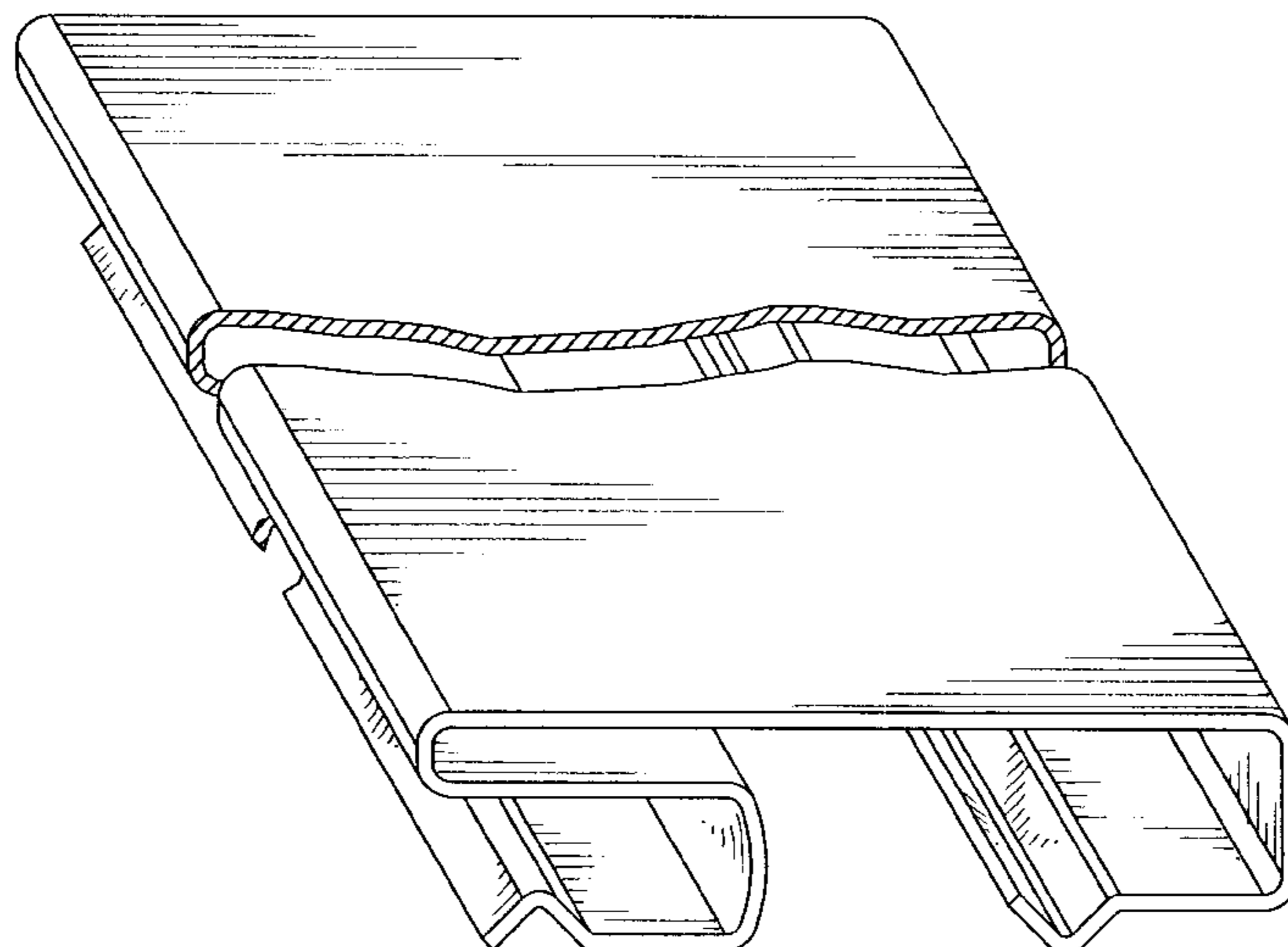
FIG. 6 is a top plan view of the detachable lineal for doors and windows shown in FIG. 1.

FIG. 7 is an end elevation view of a second detachable lineal for doors and windows embodiment having a fluted front face; and,

FIG. 8 is an end elevation view of a third detachable lineal for doors and windows embodiment.

The detachable lineal for doors and windows is broken in the center, to indicate indefinite length.

1 Claim, 6 Drawing Sheets



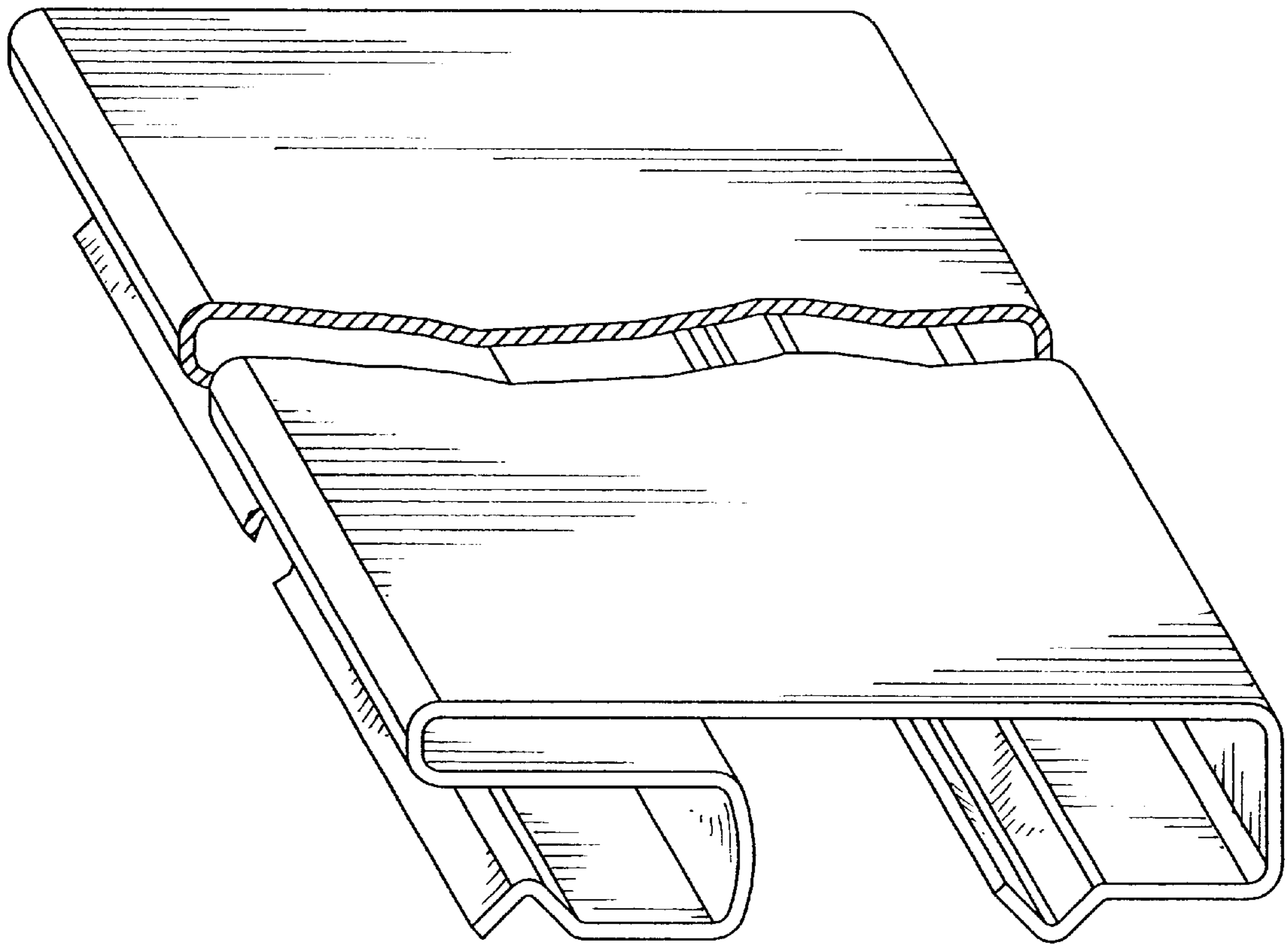


FIG. 1

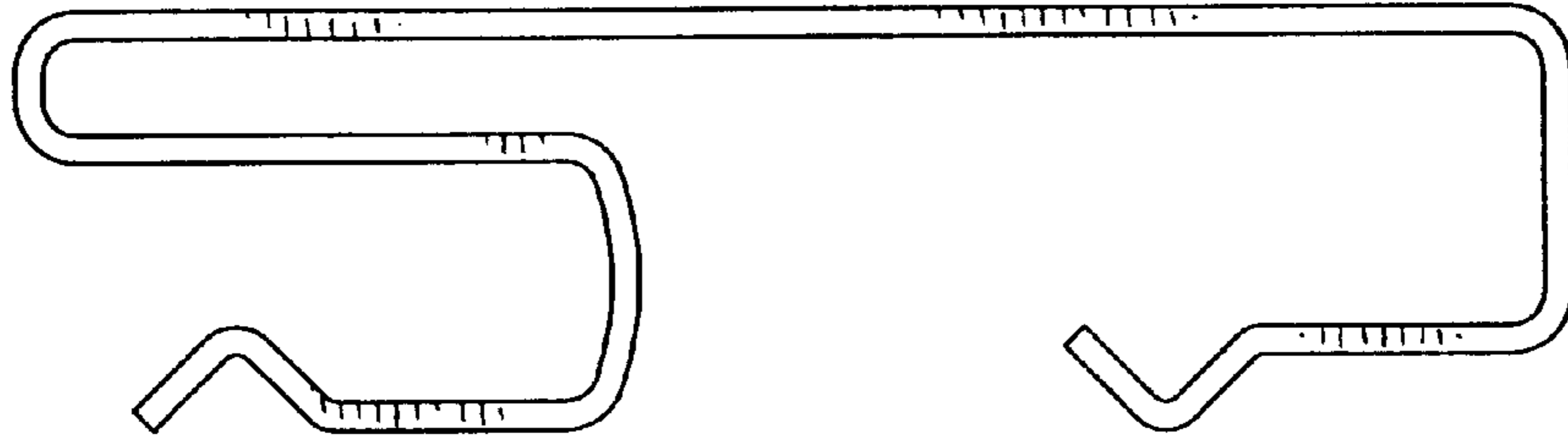


FIG. 2

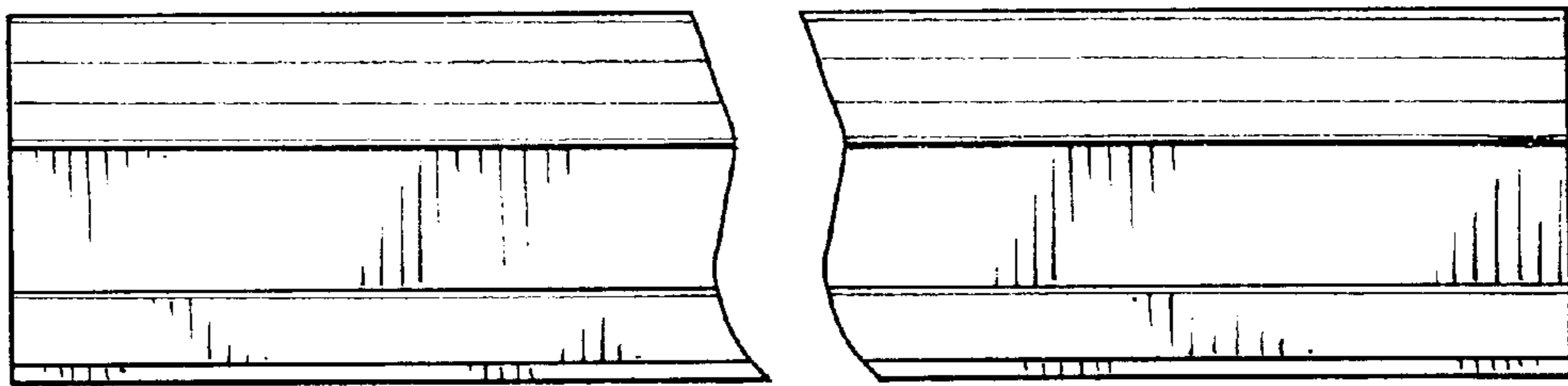


FIG. 3

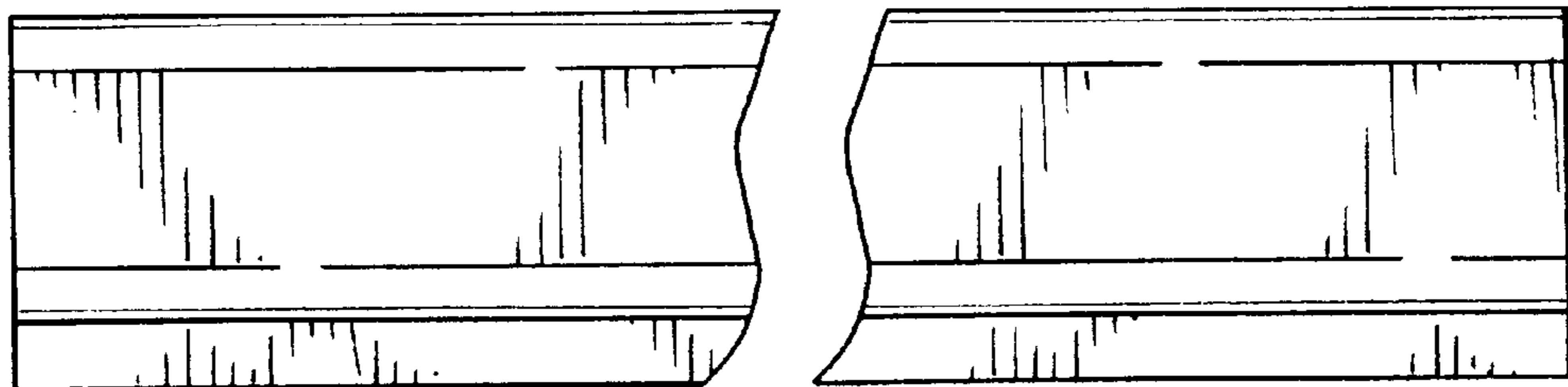


FIG. 4

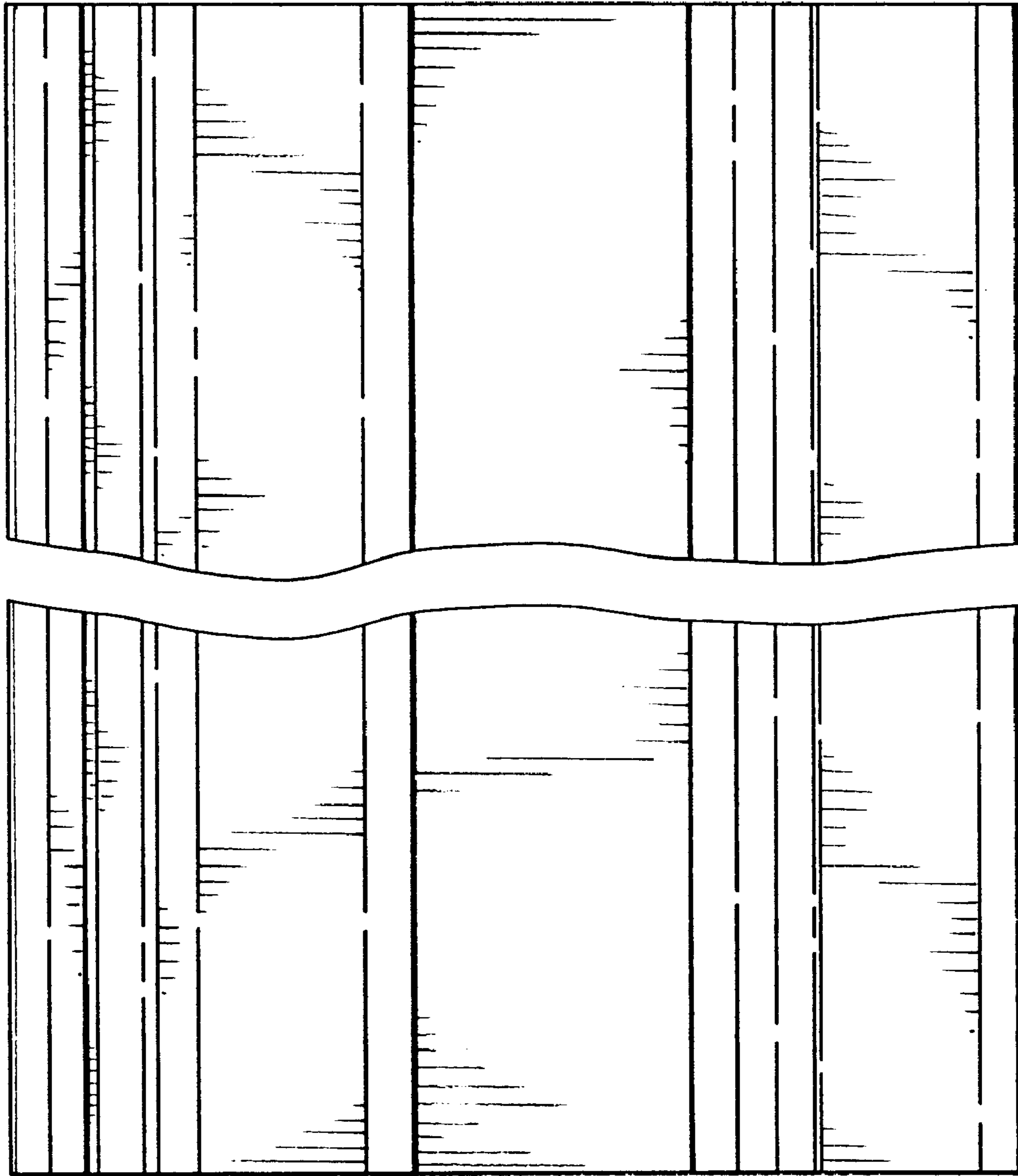


FIG. 5

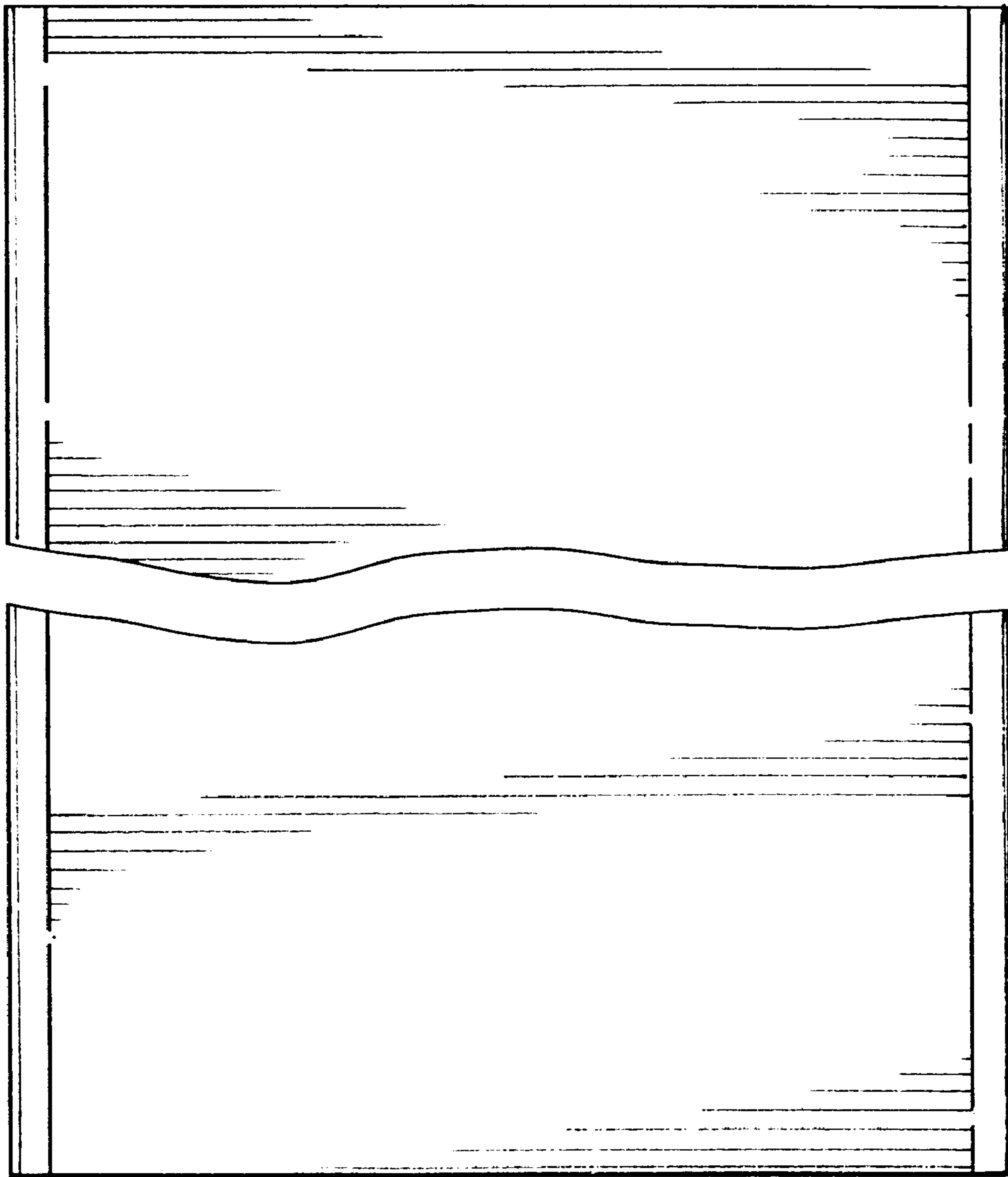


FIG. 6

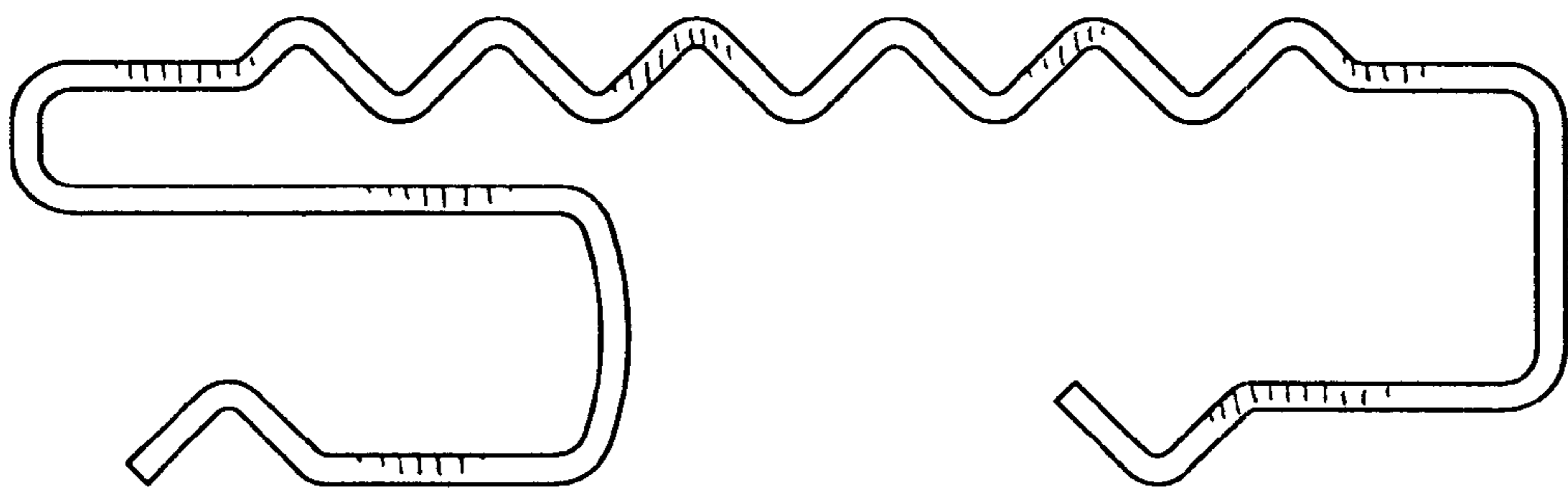


FIG. 7

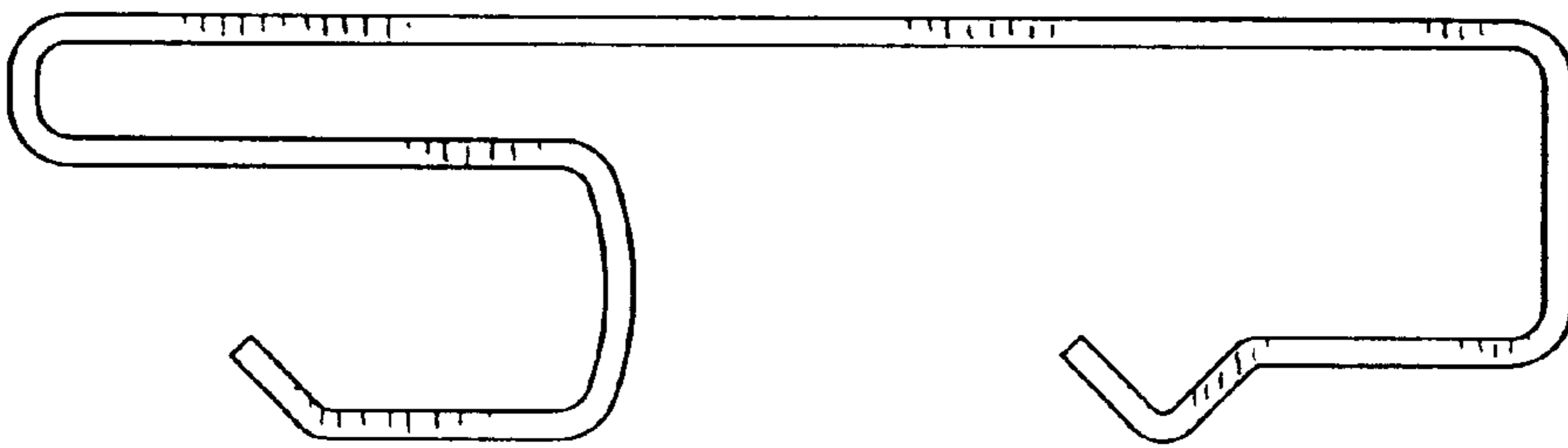


FIG. 8