



US00D473660S

(12) **United States Design Patent**
Wang

(10) **Patent No.:** **US D473,660 S**

(45) **Date of Patent:** **** Apr. 22, 2003**

(54) **GAZEBO HAVING INSERTS WITH MIRROR SPEAR DESIGN**

(75) **Inventor:** **Leo Chi-Hong Wang, Arcadia, CA (US)**

(73) **Assignee:** **Dragon Claw (U.S.A.) Incorporated, Irwindale, CA (US)**

(**) **Term:** **14 Years**

(21) **Appl. No.:** **29/166,952**

(22) **Filed:** **Sep. 6, 2002**

(51) **LOC (7) Cl.** **25-02**

(52) **U.S. Cl.** **D25/56; D25/1**

(58) **Field of Search** **D25/56, 1; 52/82**

(56) **References Cited**

U.S. PATENT DOCUMENTS

- 4,739,594 A * 4/1988 Langford et al. 52/82
- D296,593 S * 7/1988 Alpert D25/1
- D364,232 S * 11/1995 Siebelink D25/56

* cited by examiner

Primary Examiner—Doris Clark

(74) *Attorney, Agent, or Firm*—Thomas I. Rozsa; Tony D. Chen

(57) **CLAIM**

The ornamental design for a gazebo having inserts with mirror spear design, as shown and described.

DESCRIPTION

FIG. 1 is a perspective view of a gazebo having inserts with mirror spear design, showing my new design;

FIG. 2 is a bottom plan view thereof;

FIG. 3 is a bottom plan view thereof;

FIG. 4 is a side elevational view thereof, all of the sides being identical;

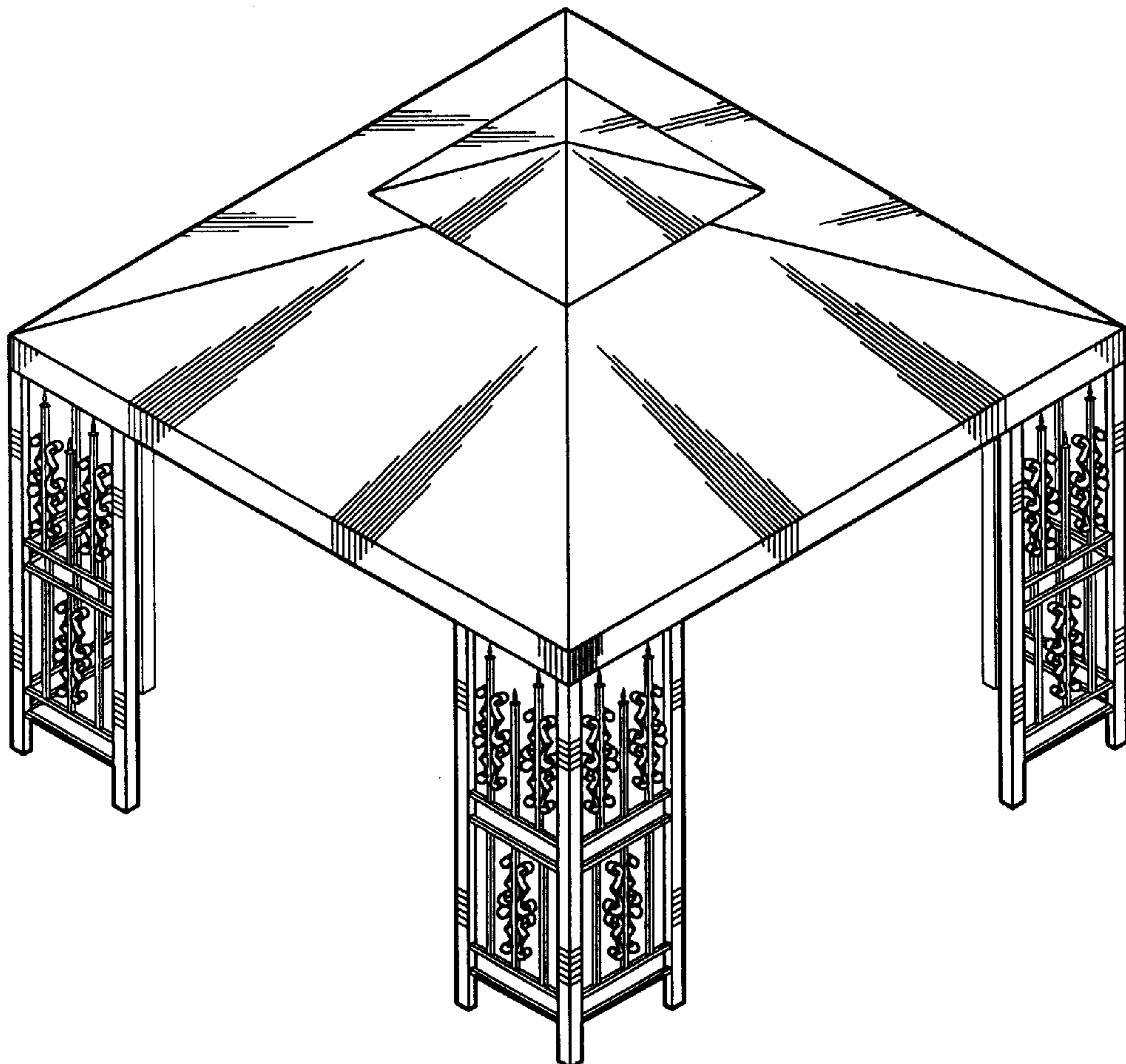
FIG. 5 is a perspective view of a second embodiment of a gazebo having inserts with mirror spear design, showing my design;

FIG. 6 is a top plan view thereof;

FIG. 7 is a bottom plan view thereof; and,

FIG. 8 is a side elevational view thereof, all the sides being identical.

1 Claim, 4 Drawing Sheets



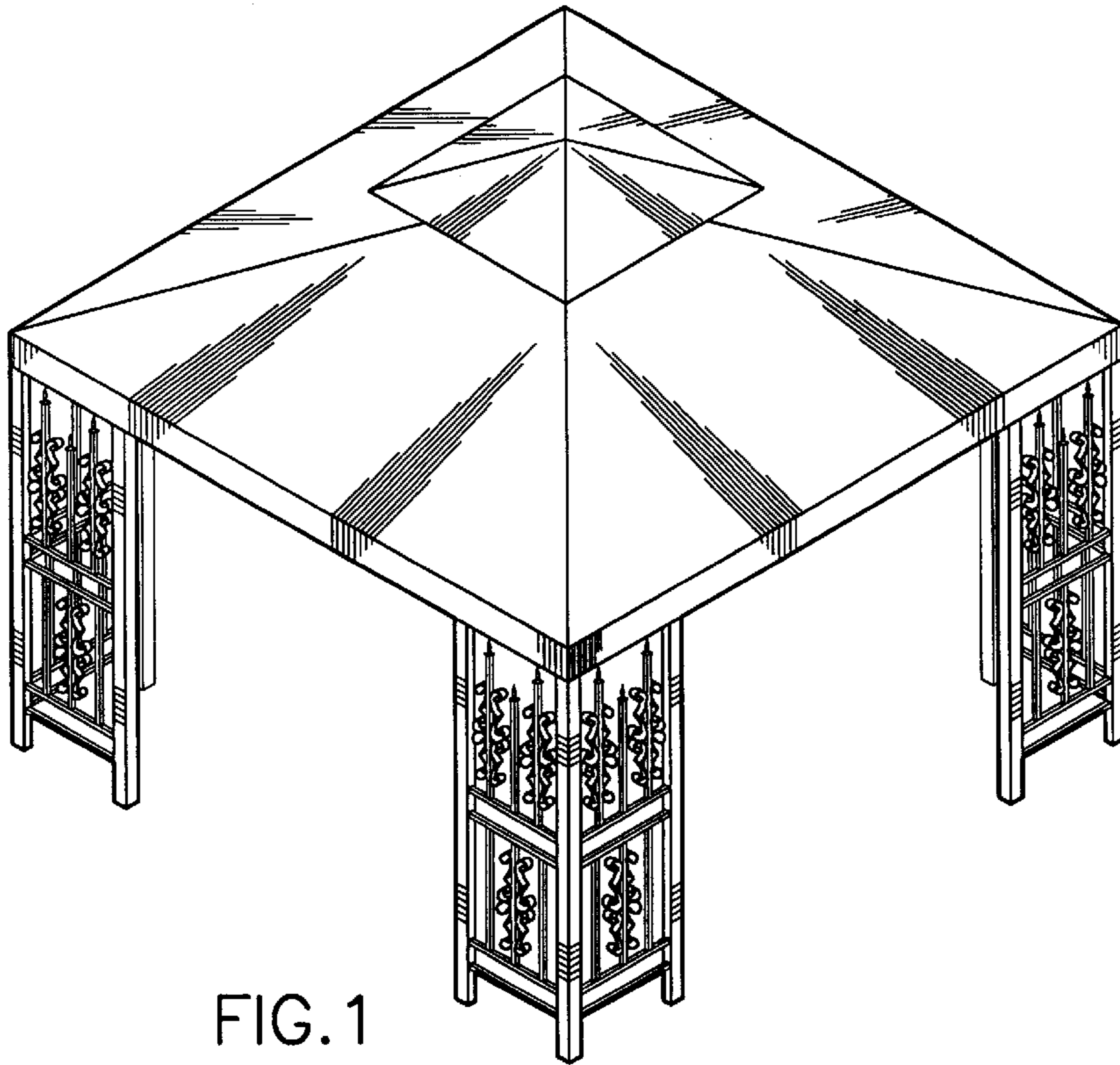


FIG. 1

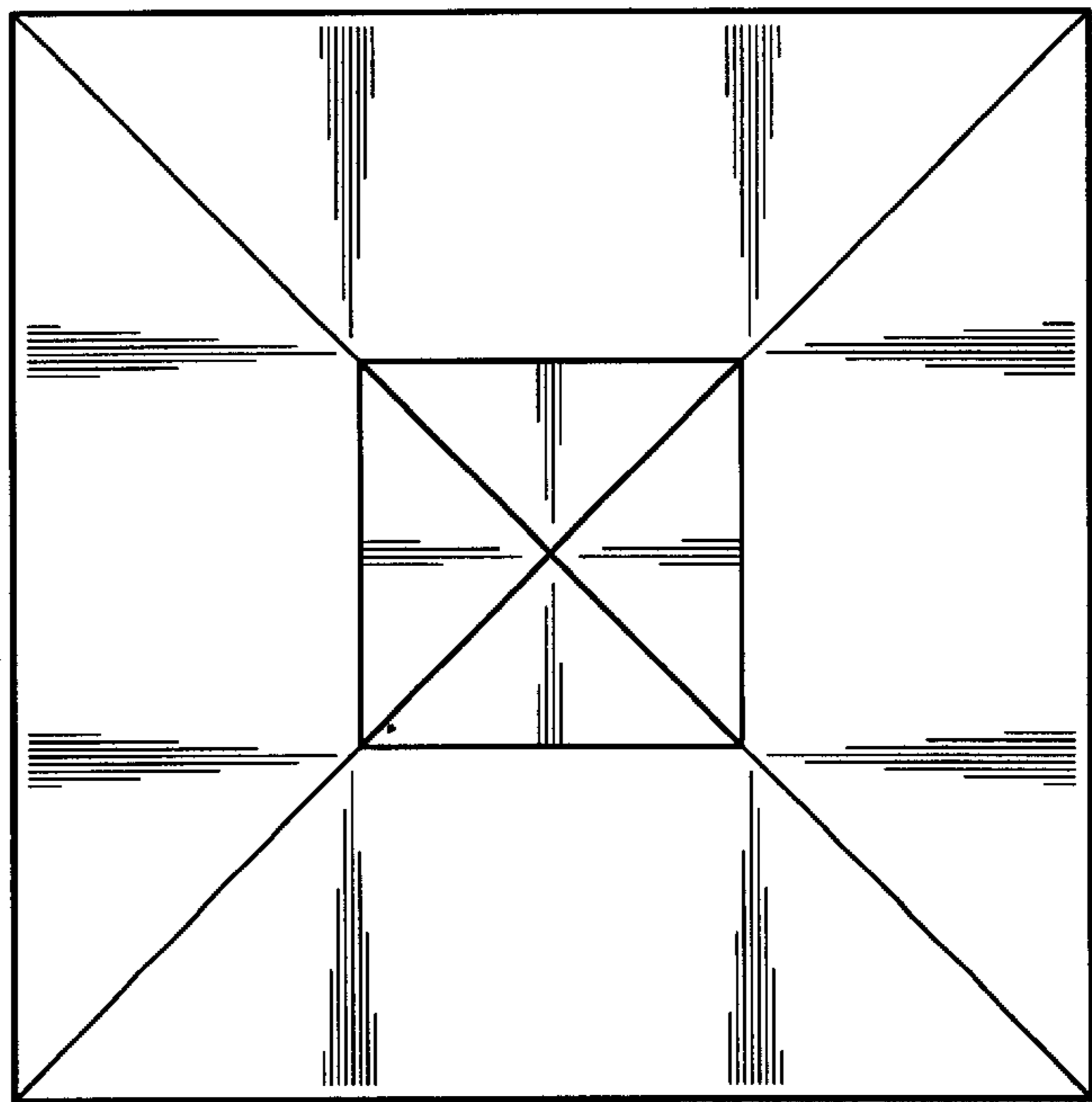


FIG. 2

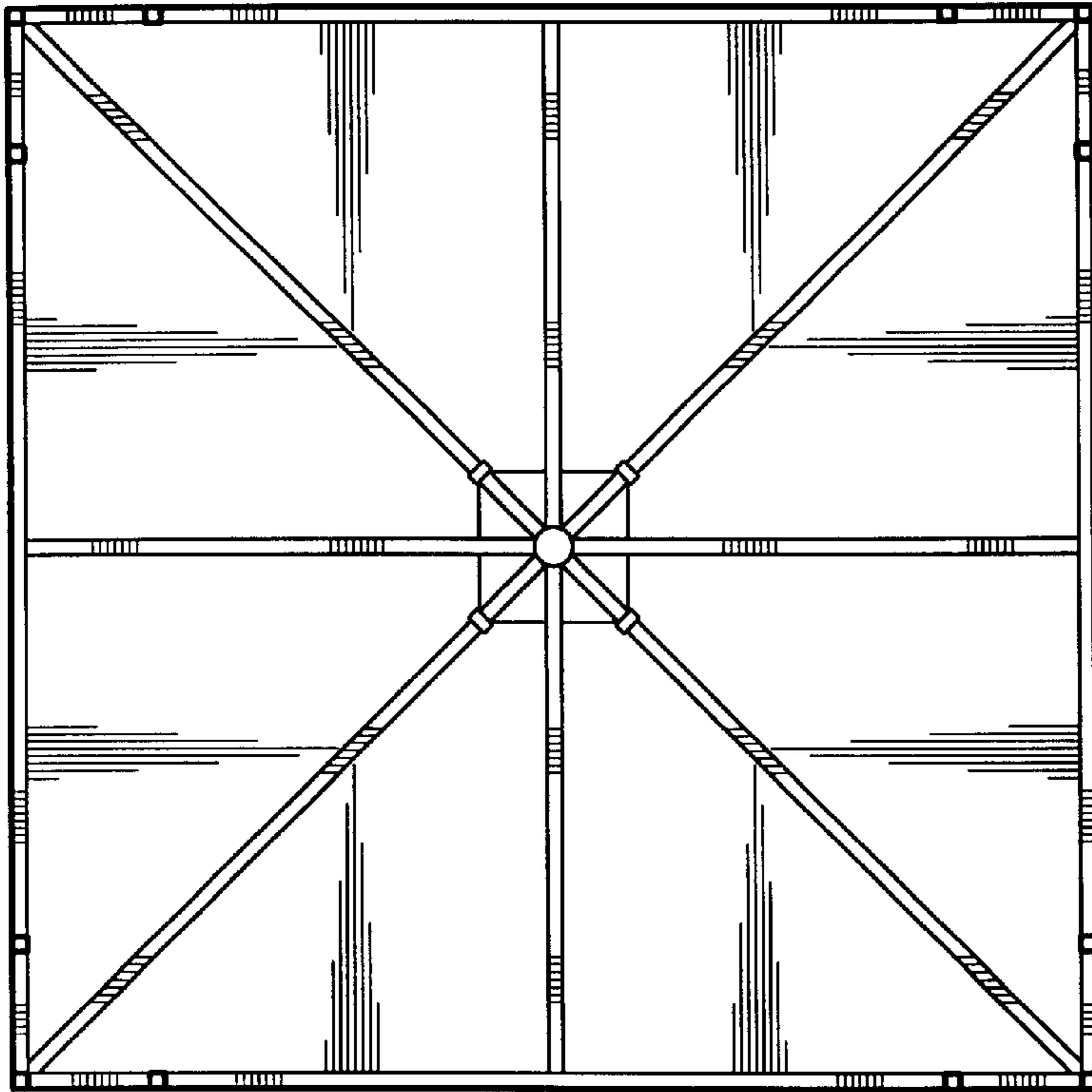


FIG. 3

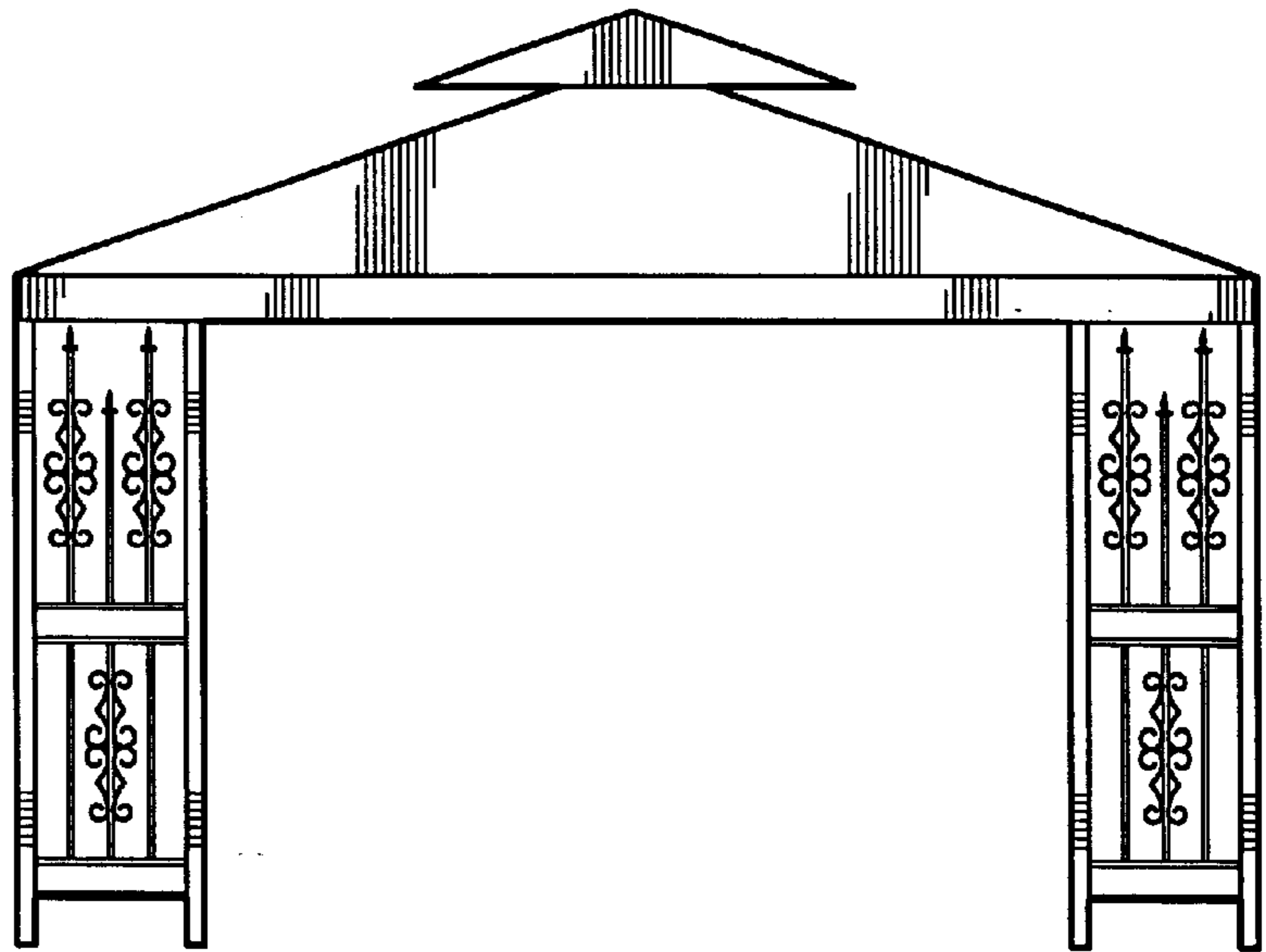


FIG. 4

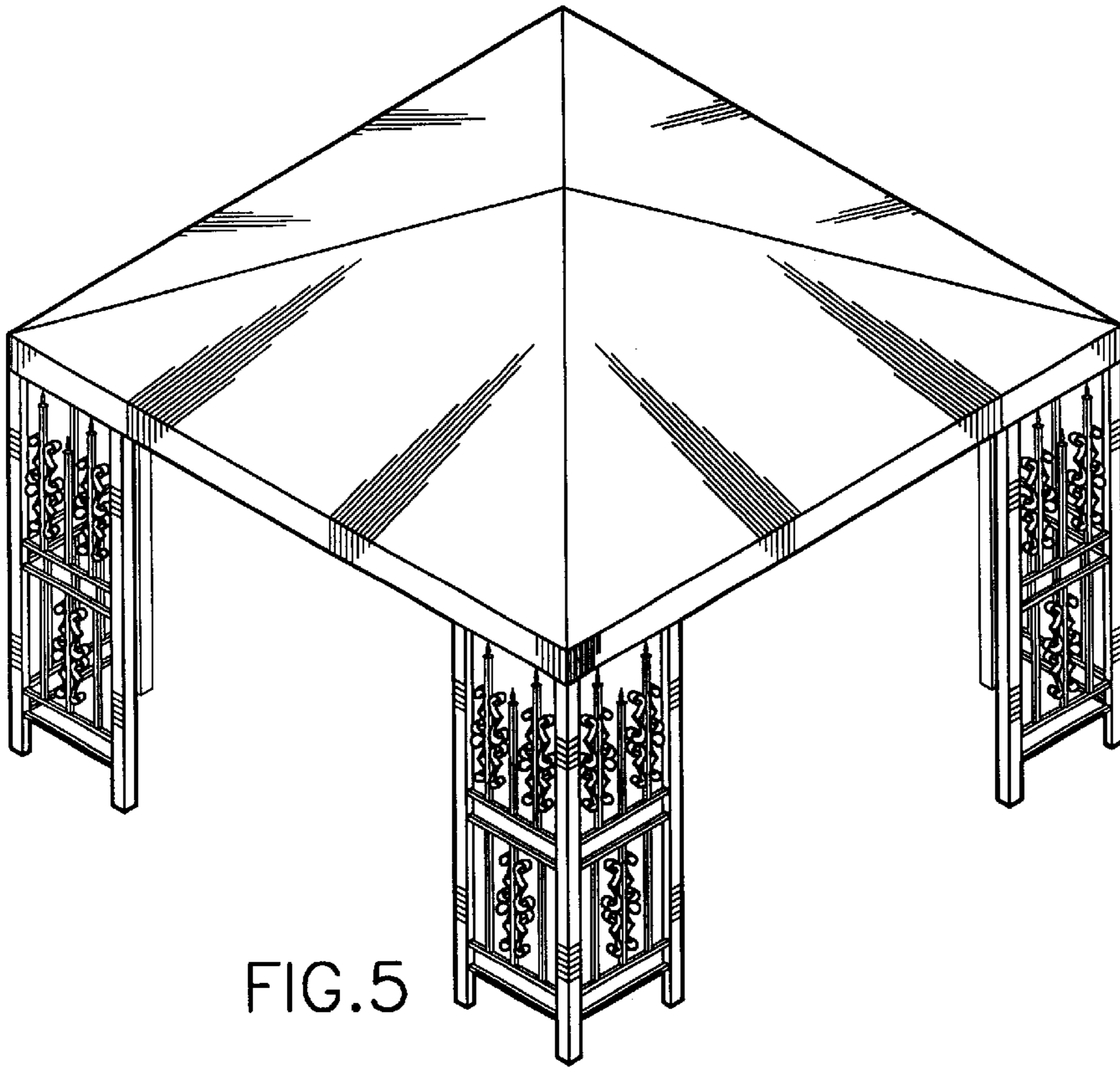


FIG. 5

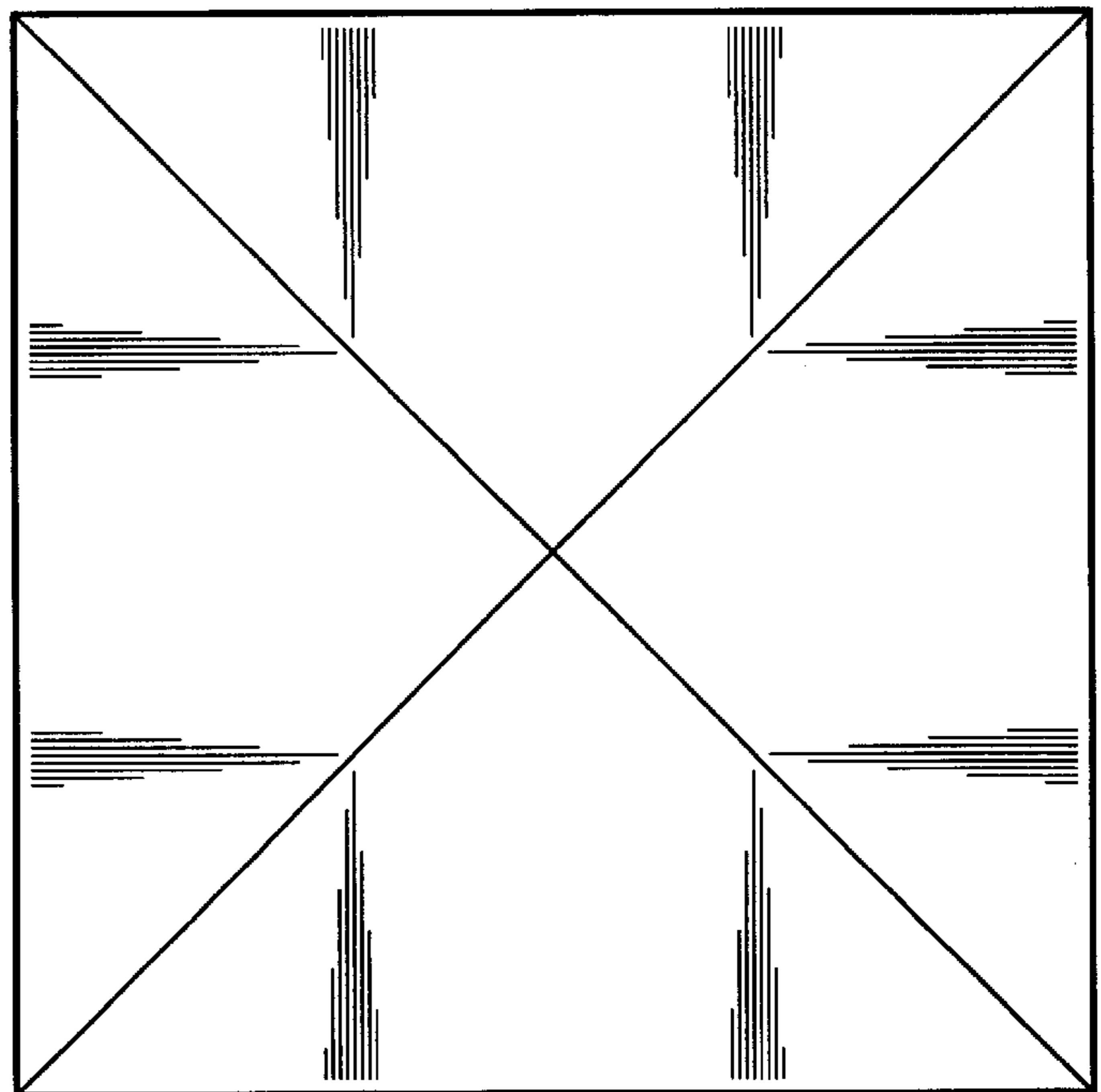


FIG. 6

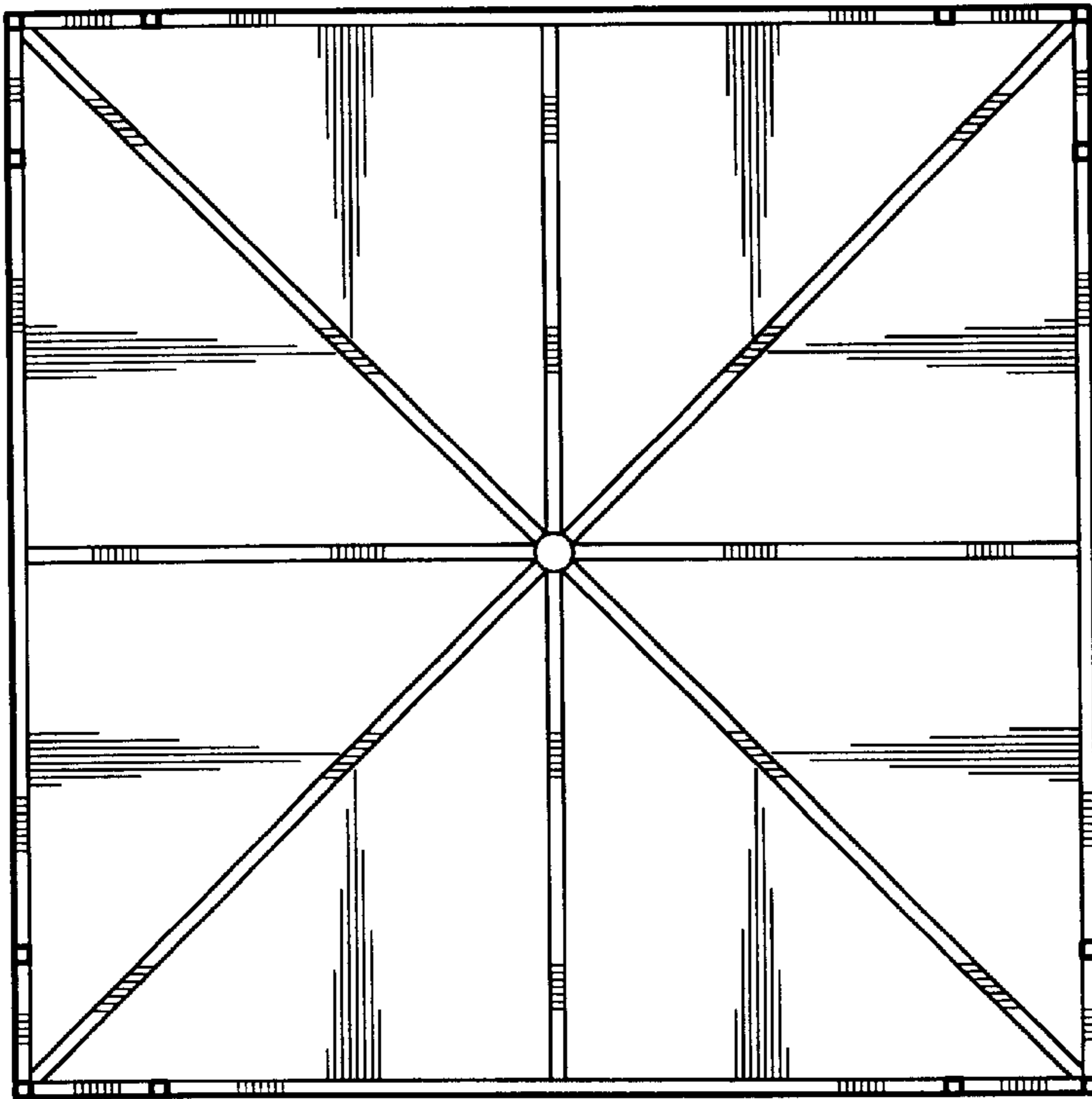


FIG. 7

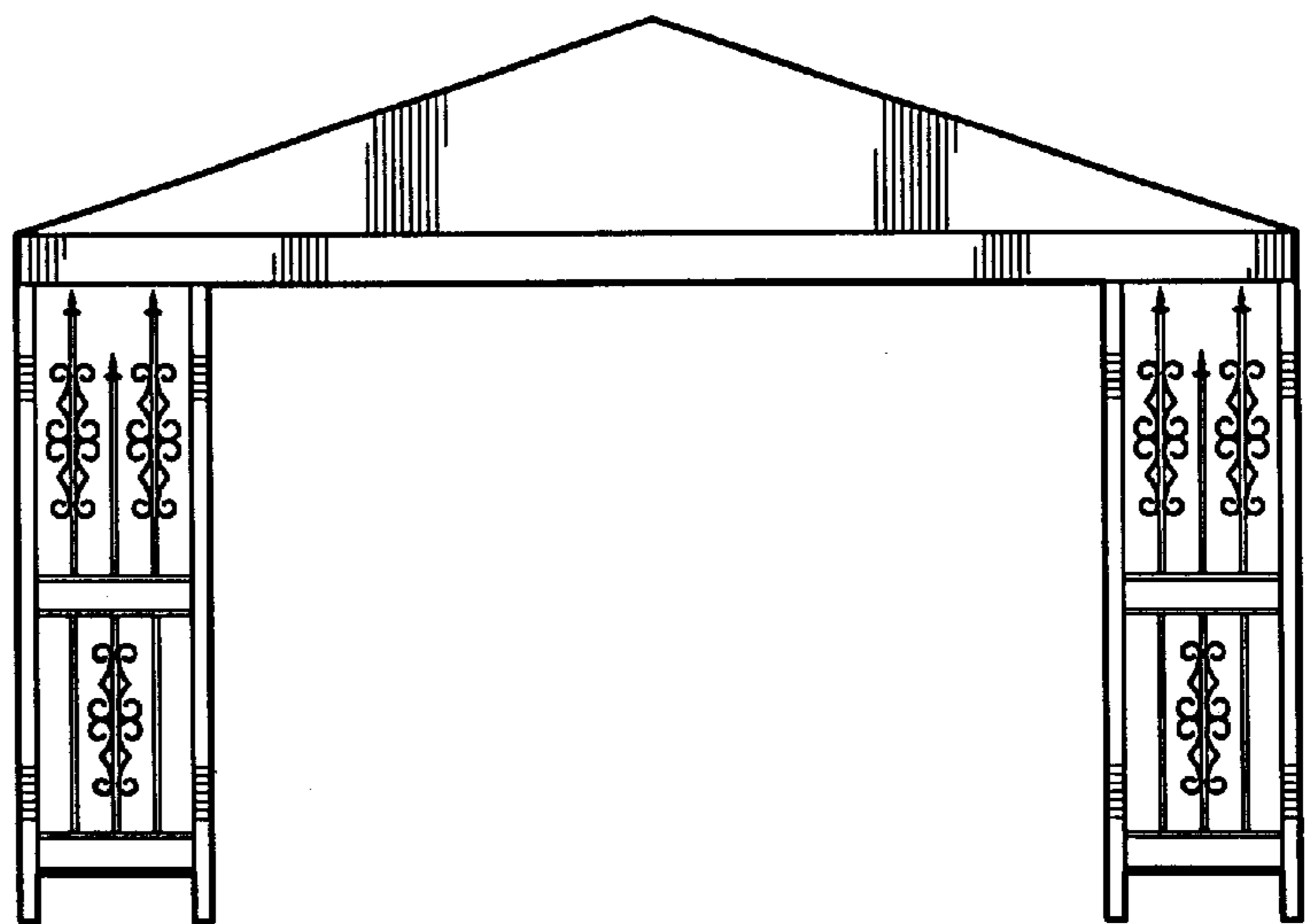


FIG. 8