



US00D473658S

(12) **United States Design Patent**  
**Adams**

(10) **Patent No.:** **US D473,658 S**

(45) **Date of Patent:** **\*\* Apr. 22, 2003**

(54) **SOUND PROOF CHAMBER**

**DESCRIPTION**

(76) Inventor: **Albert George Adams**, 5975 Glen Erin Drive Apt. 302, Mississauga, Ontario (CA), L5M 5P9

(\*\*) Term: **14 Years**

(21) Appl. No.: **29/144,621**

(22) Filed: **Jul. 5, 2001**

(51) **LOC (7) Cl.** ..... **25-03**

(52) **U.S. Cl.** ..... **D25/33**

(58) **Field of Search** ..... 52/144, 145, 79.1; 174/35 MS; D25/33

(56) **References Cited**

**U.S. PATENT DOCUMENTS**

D238,572 S \* 1/1976 Wheeler ..... D25/33

5,706,614 A \* 1/1998 Wiley, Jr. et al. .... 52/79.1

\* cited by examiner

*Primary Examiner*—Doris Clark

(74) *Attorney, Agent, or Firm*—Marks & Clerk

(57) **CLAIM**

I claim the ornamental design for a sound proof chamber, as shown and described.

FIG. 1 is a bottom perspective view of the sound proof chamber, broken in center to show indefinite length.

FIG. 2 is a front perspective view of a second embodiment of a sound proof chamber.

FIG. 3 is a front perspective view of a third embodiment of a sound proof chamber.

FIG. 4 is a bottom perspective view of a fourth embodiment of a sound proof chamber, broken in the center to show indefinite length.

FIG. 5 is an enlarged fragmentary perspective view of the right end jointed seam connector shown in FIG. 8.

FIG. 6 is an enlarged fragmentary front elevational view of the jointed seam intersection socket shown in FIG. 8.

FIG. 7 is a fragmentary perspective view of a roof, wall, and seam intersection socket.

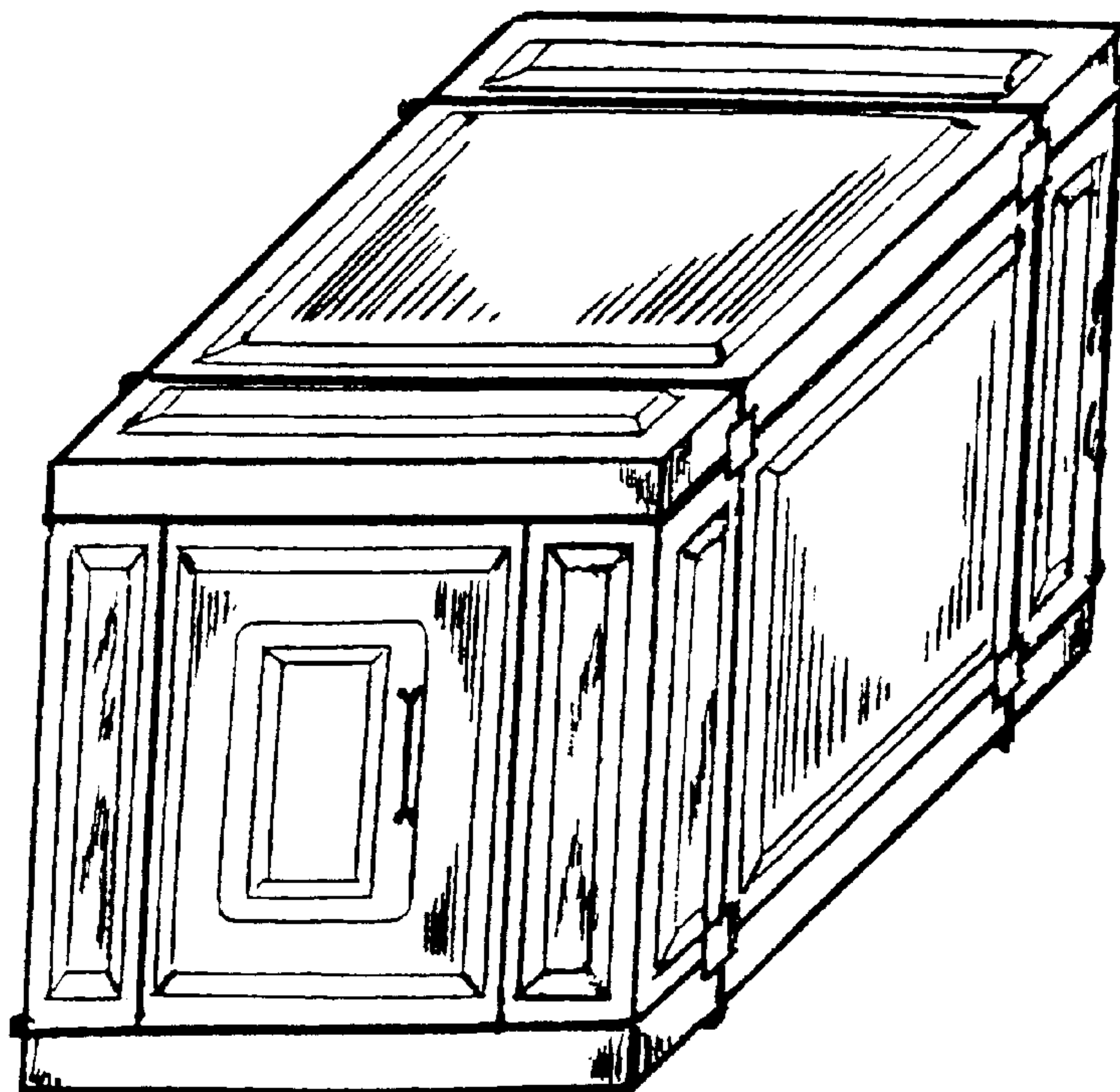
FIG. 8 is a fragmentary perspective view of a floor, wall, and seam intersection socket.

FIG. 9 is an enlarged fragmentary perspective view of the left top corner portion of the door.

FIG. 10 is an exploded perspective view of the sound proof chamber; and,

FIG. 11 is a perspective view of the open floor element shown in FIG. 1.

**1 Claim, 3 Drawing Sheets**



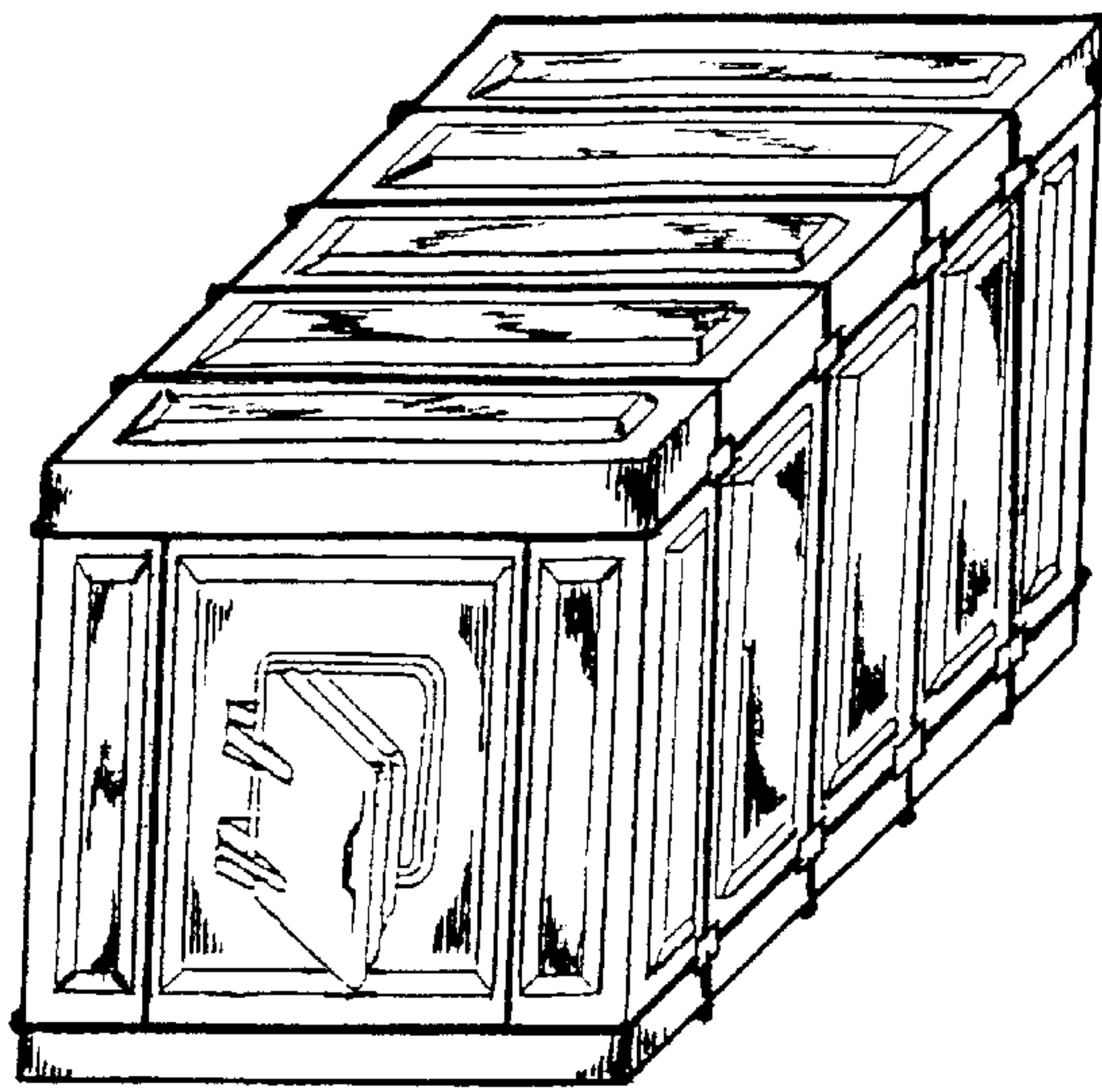


Fig. 2

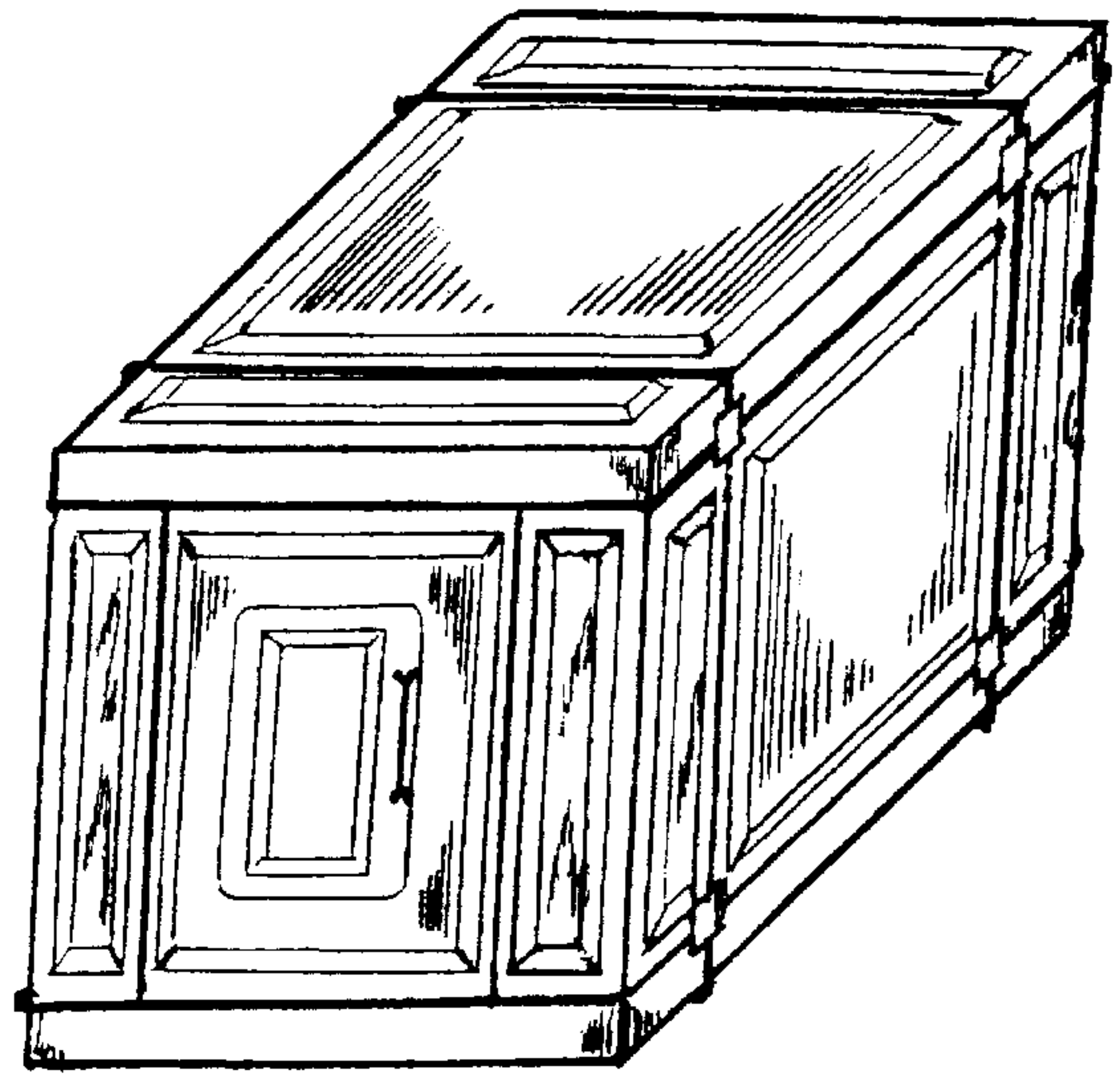


Fig. 3

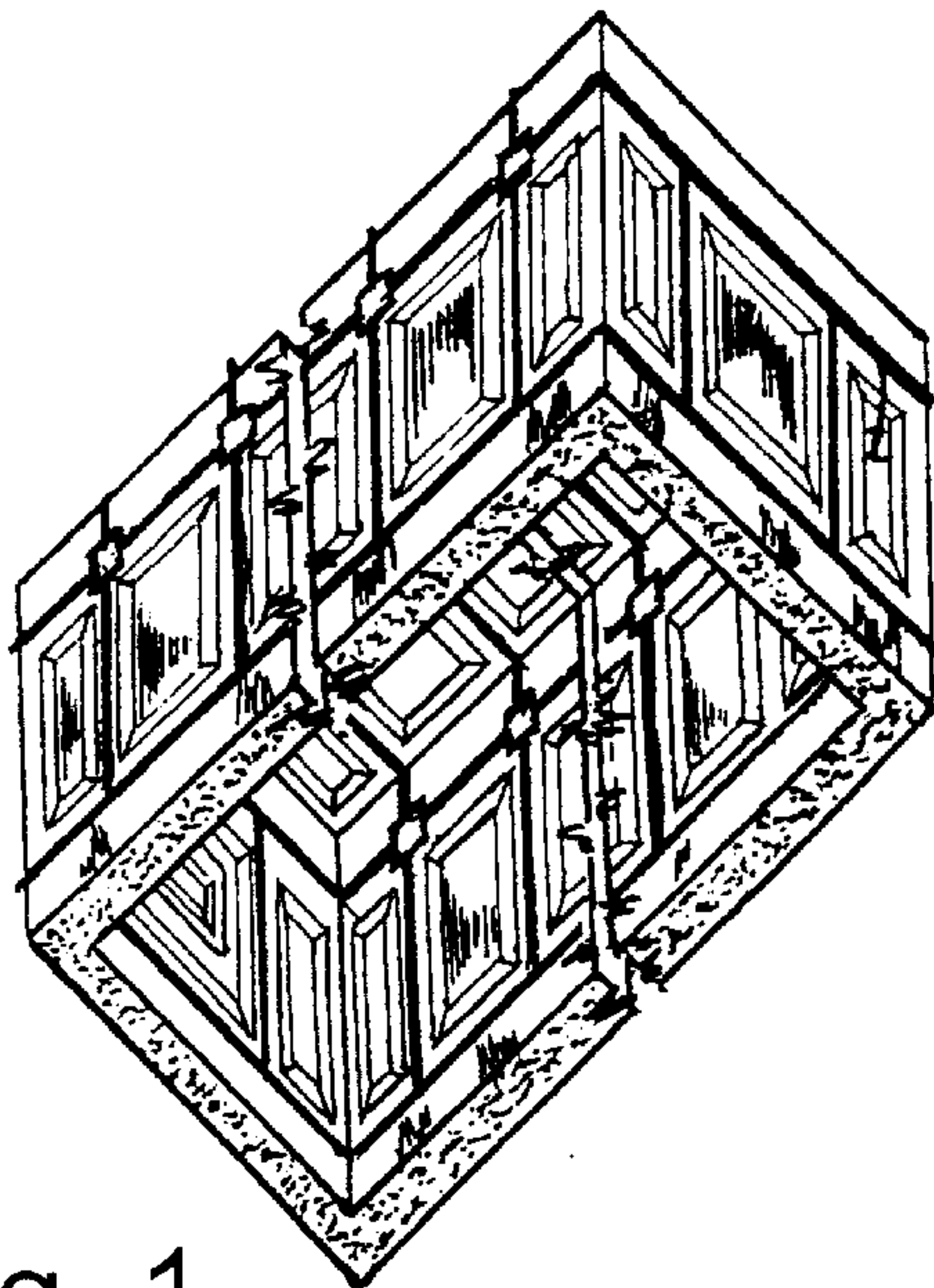


Fig. 1

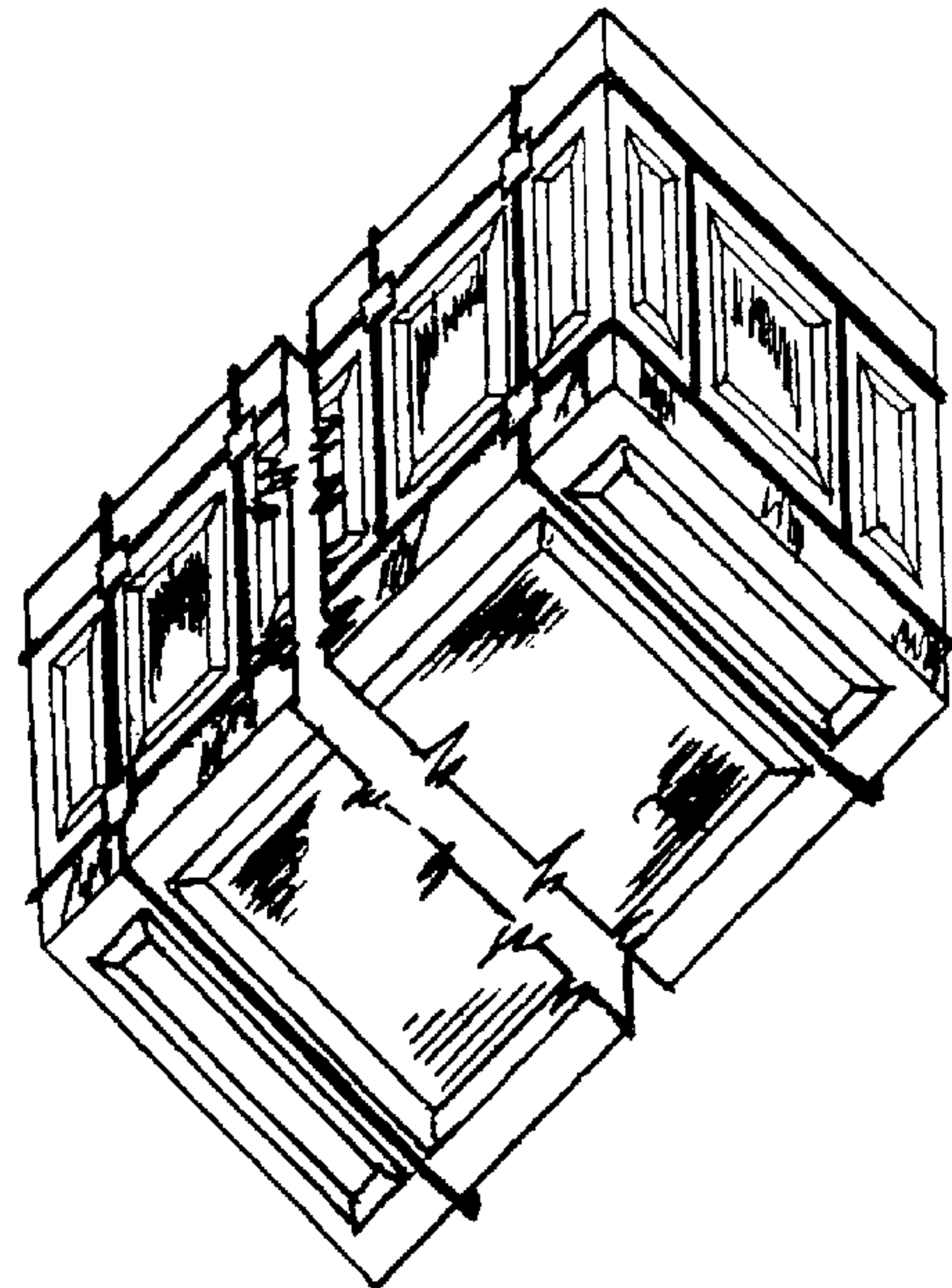


Fig. 4



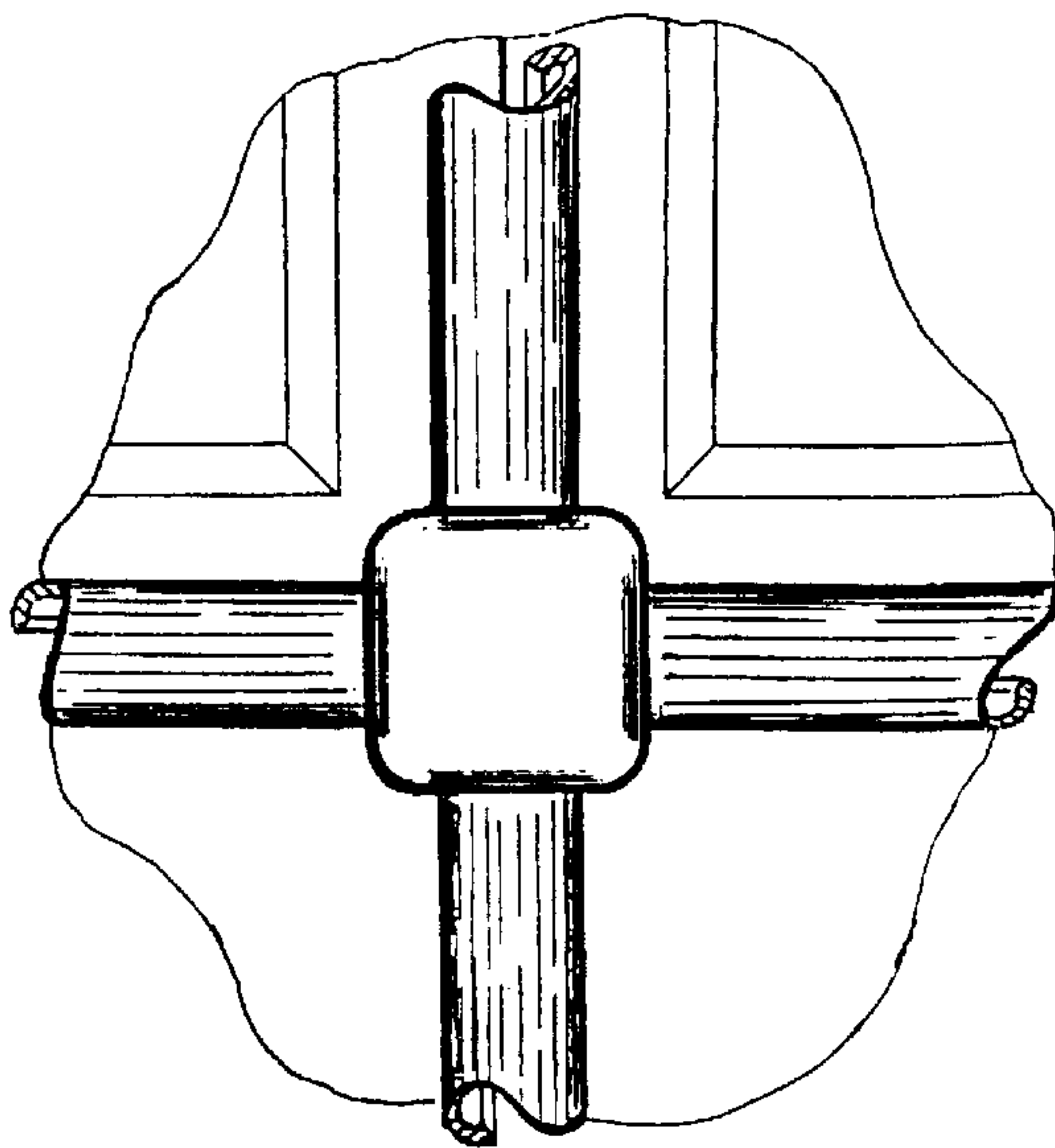


Fig. 6

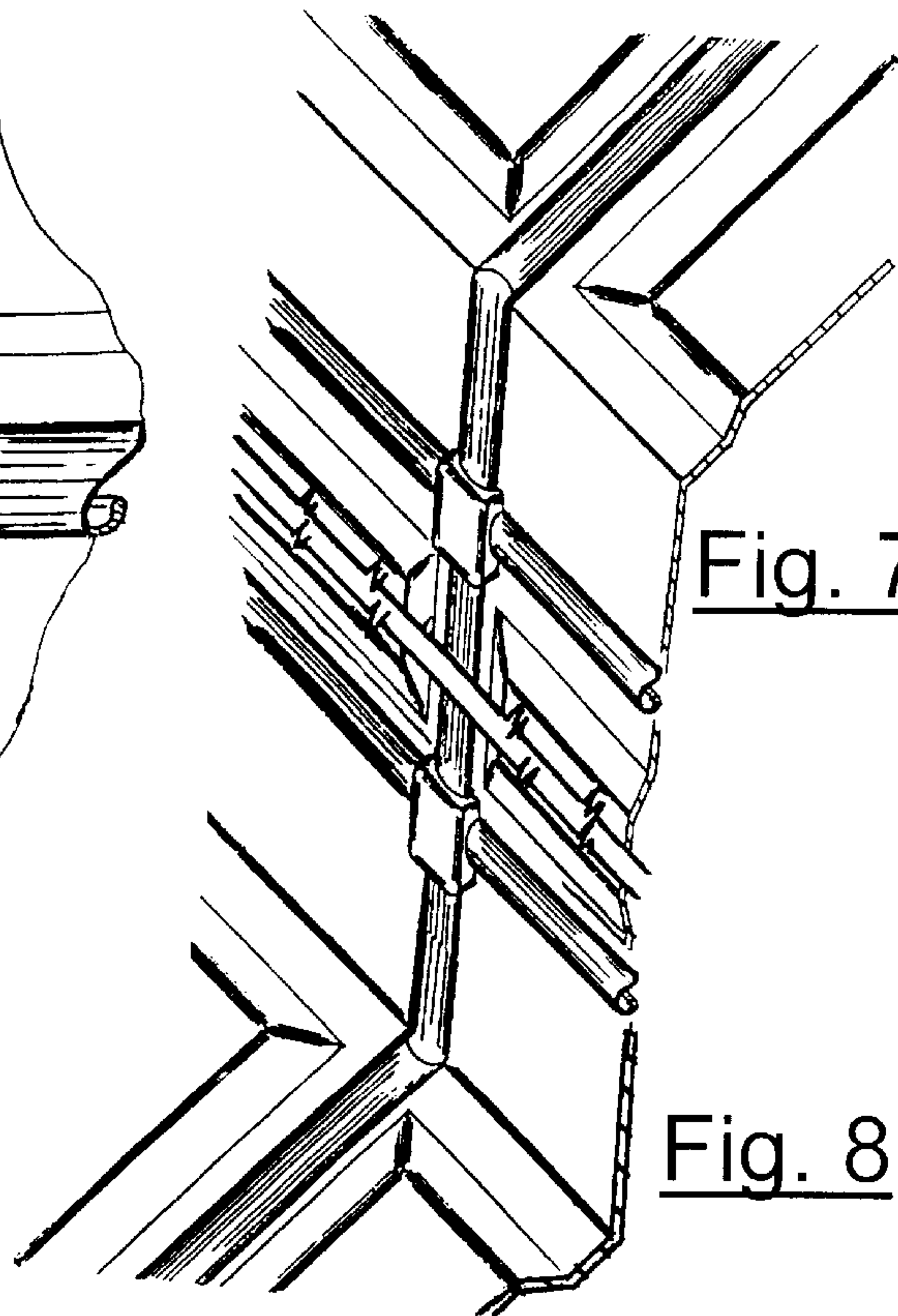


Fig. 7

Fig. 8

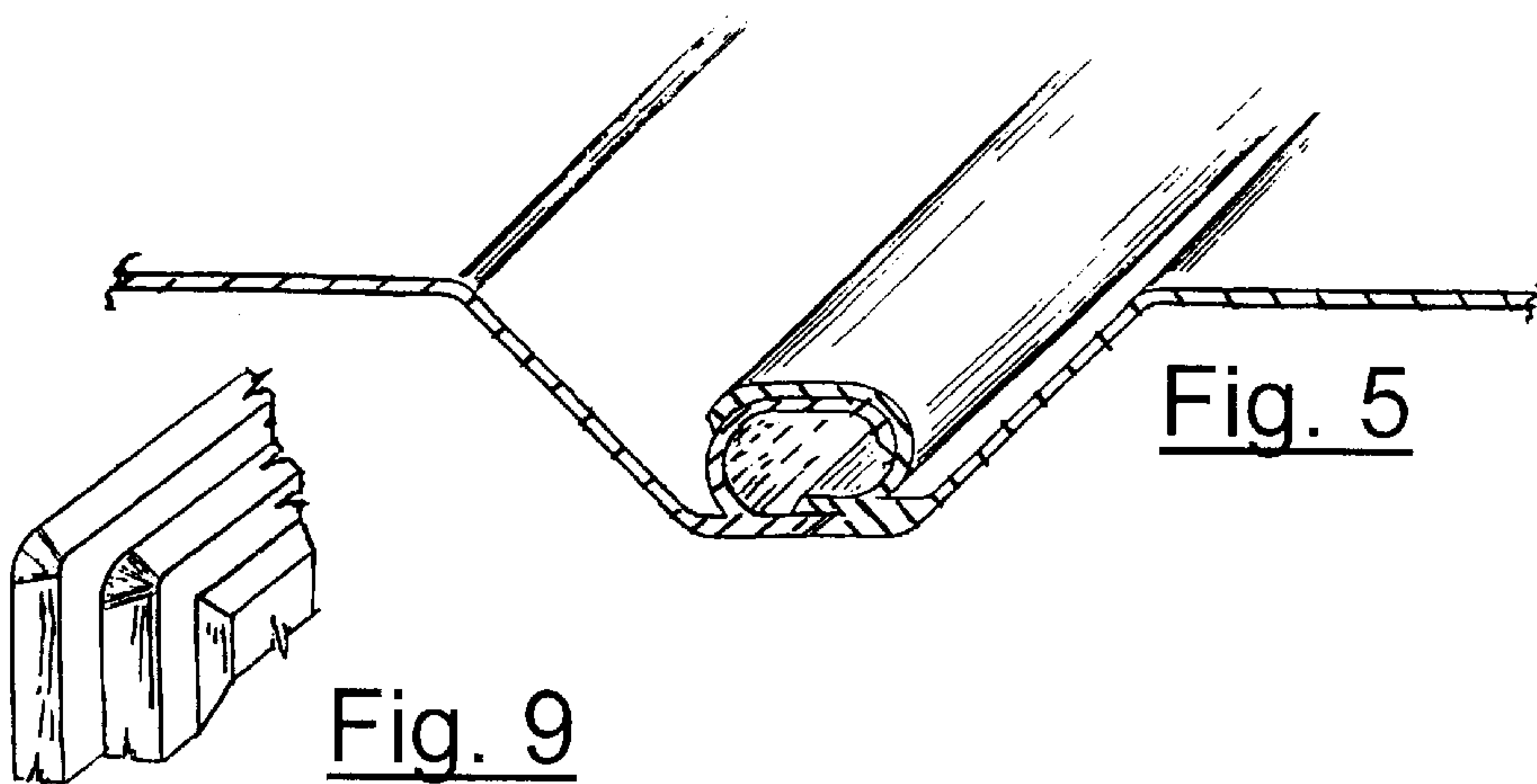


Fig. 5

Fig. 9

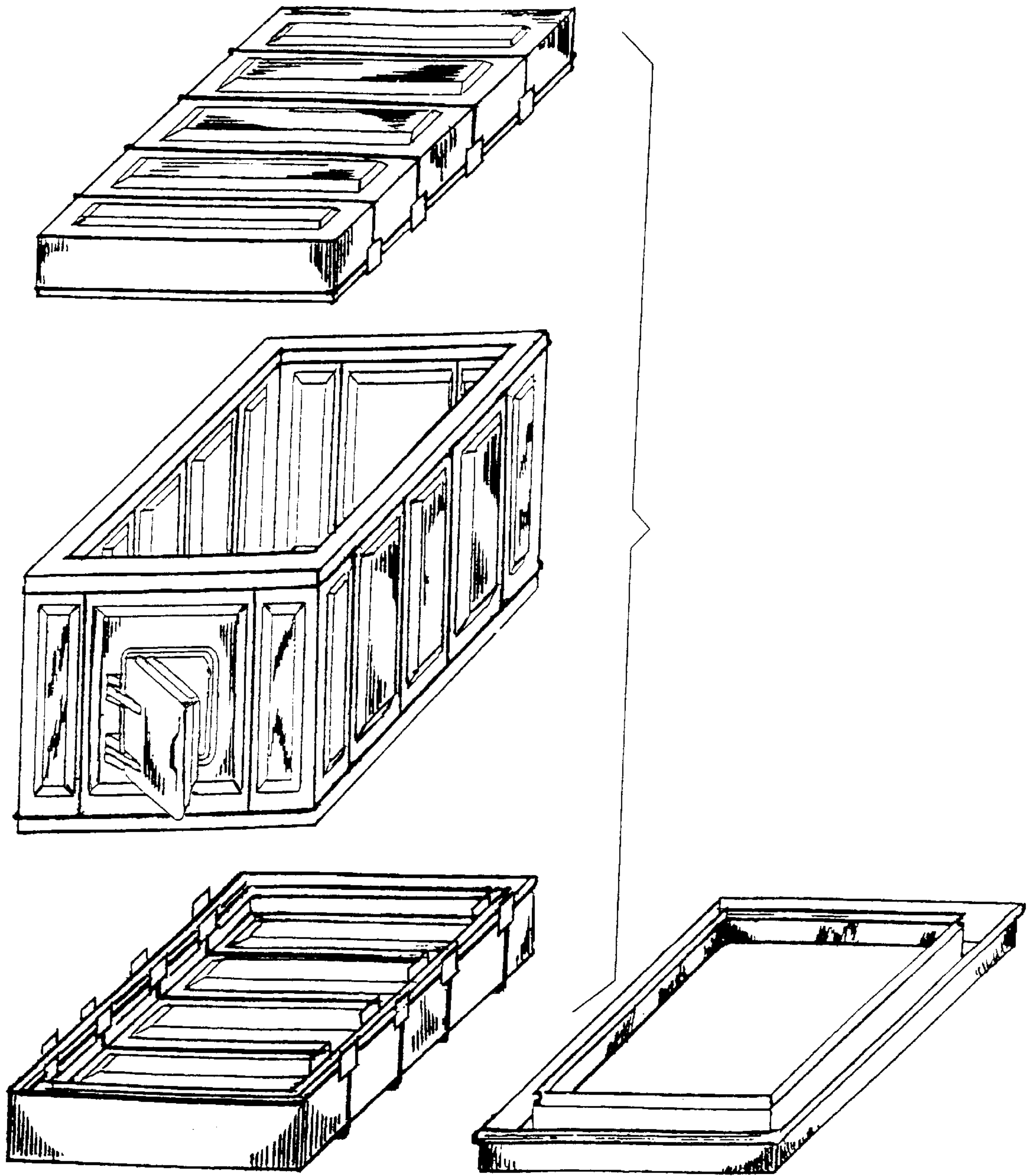


Fig. 10

Fig. 11