



US00D473653S

(12) **United States Design Patent**
Weaver, II et al.

(10) **Patent No.:** **US D473,653 S**

(45) **Date of Patent:** **** Apr. 22, 2003**

(54) **ORTHOPEDIC DEVICE FOR STABILIZING THE THUMB**

(75) Inventors: **Edward Leonard Weaver, II**, Milford, OH (US); **Sherry Ann Hinds**, Goshen, OH (US)

(73) Assignee: **Beiersdorf AG**, Hamburg (DE)

(**) Term: **14 Years**

(21) Appl. No.: **29/158,667**

(22) Filed: **Apr. 8, 2002**

(51) **LOC (7) Cl.** **24-04**

(52) **U.S. Cl.** **D24/190**

(58) **Field of Search** D24/190; 602/5, 602/6, 20, 21, 22, 61

(56) **References Cited**

U.S. PATENT DOCUMENTS

D287,640 S	*	1/1987	Primiano	D24/190
5,356,371 A	*	10/1994	Hubbard	602/22
D373,639 S	*	9/1996	McKie	D24/190
D405,180 S	*	2/1999	Reina	D24/190

* cited by examiner

Primary Examiner—Stella Reid
(74) *Attorney, Agent, or Firm*—Norris, McLaughlin & Marcus

(57) **CLAIM**

The ornamental design for an orthopedic device for stabilizing the thumb, as shown and described.

DESCRIPTION

FIG. 1 is a front view of an orthopedic device for stabilizing the thumb, showing our new design, in open condition; FIG. 2 is a back view thereof; FIG. 3 is a top perspective view thereof, in use condition on the right hand; FIG. 4 is a bottom perspective view thereof, in use condition on the right hand; FIG. 5 is a top perspective view thereof, in use condition on the left hand; and, FIG. 6 is a bottom perspective view thereof, in use condition on the left hand.

The broken line showing of the hand in FIGS. 3–6 is for illustrative purposes only and forms no part of the claimed design.

1 Claim, 4 Drawing Sheets

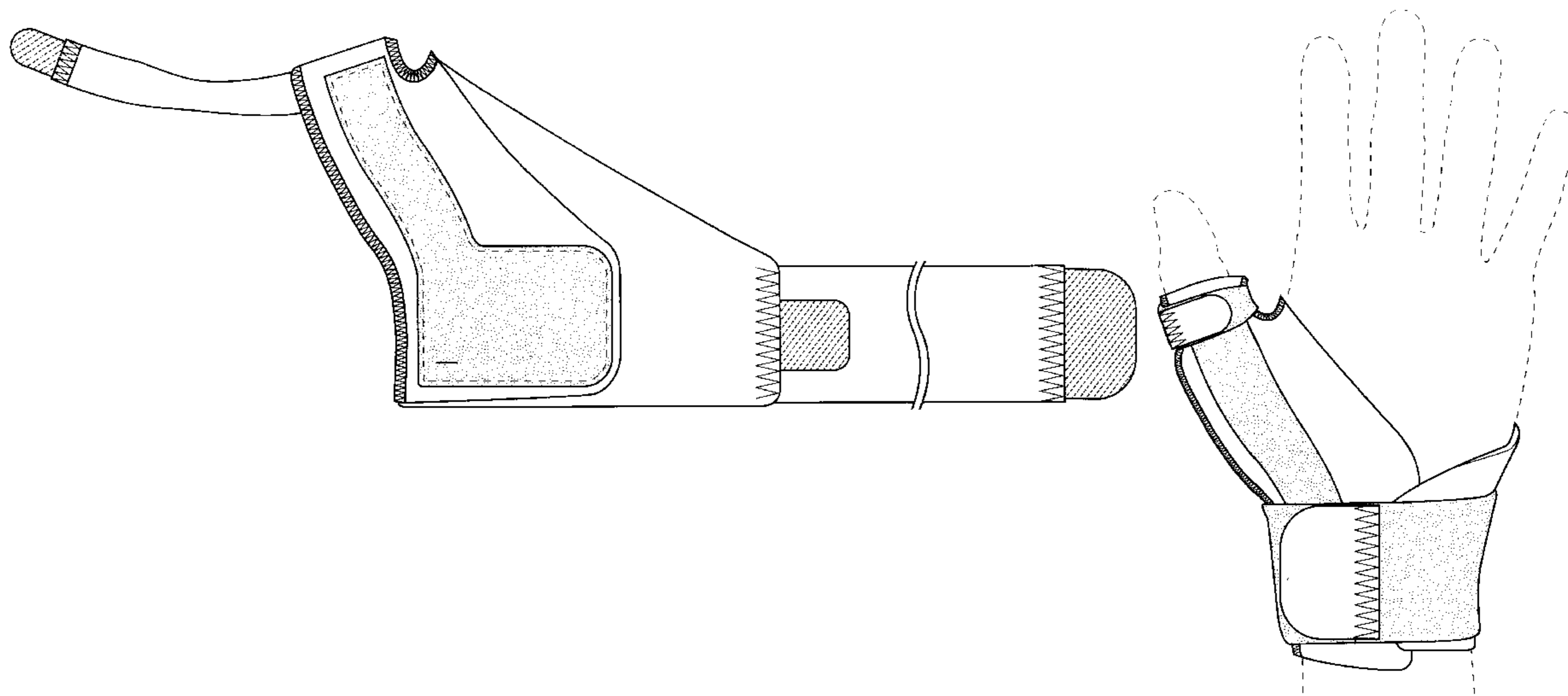


FIG. 1

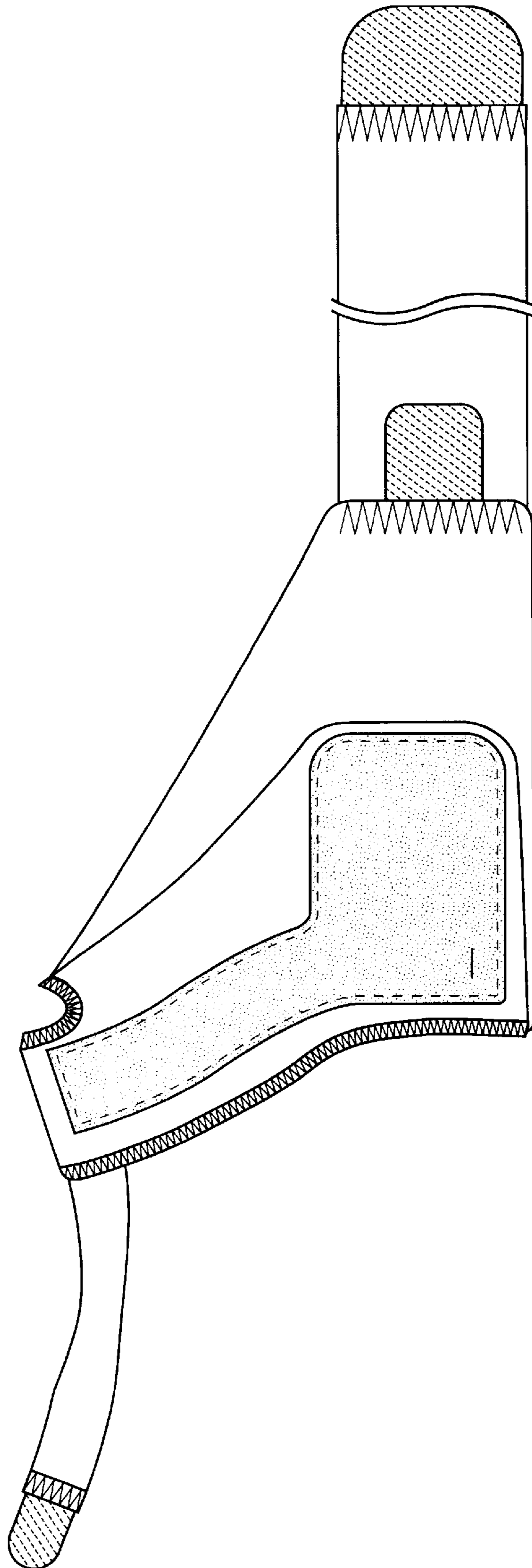


FIG. 2

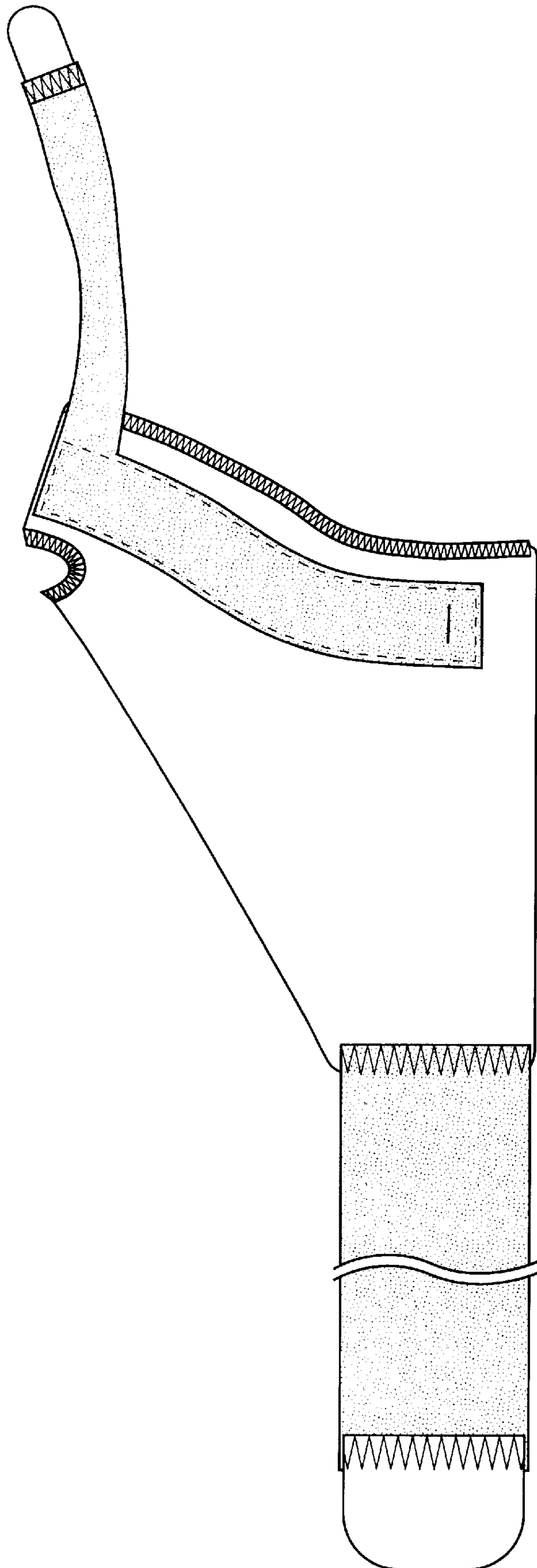


FIG. 4

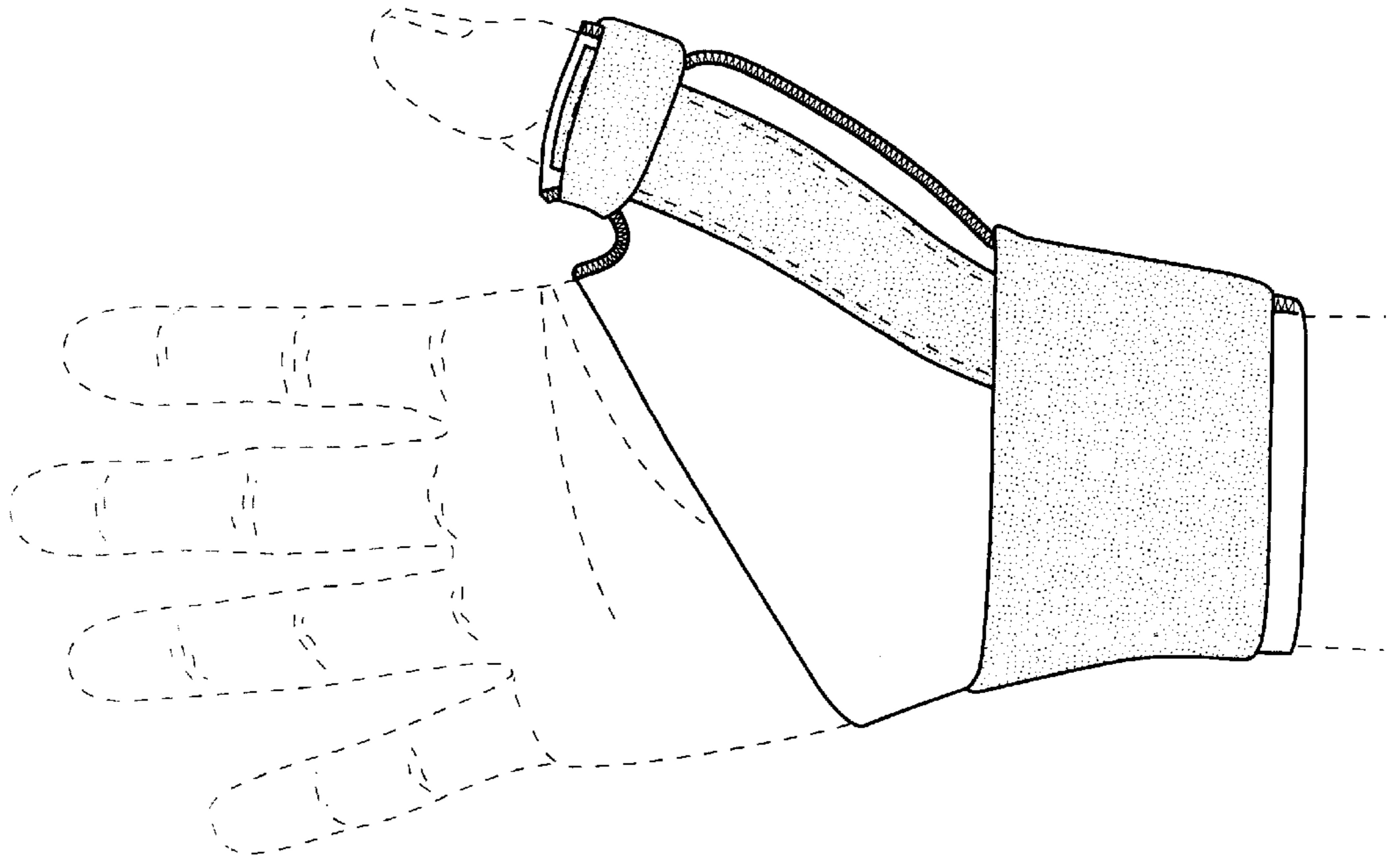


FIG. 3

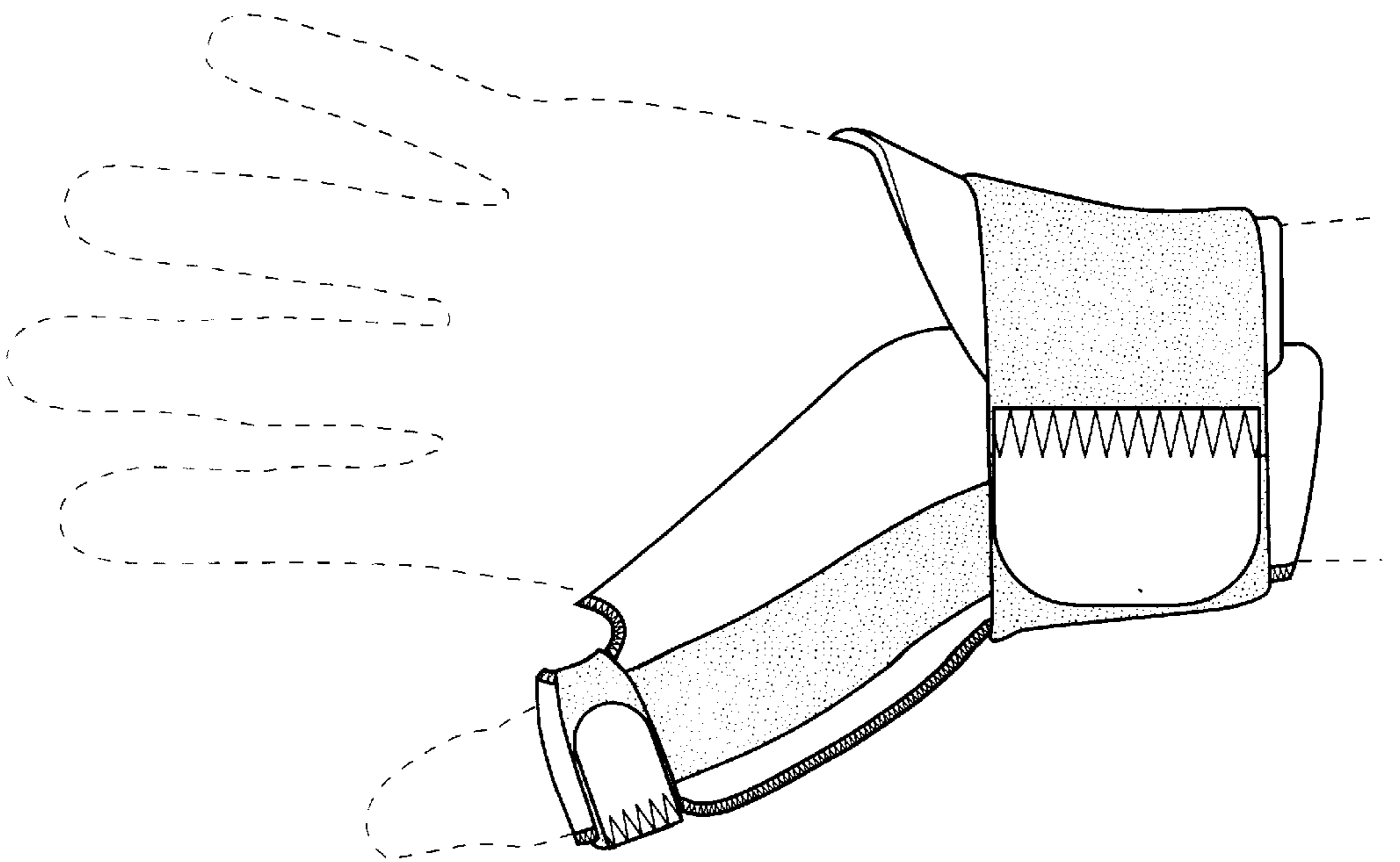


FIG. 6

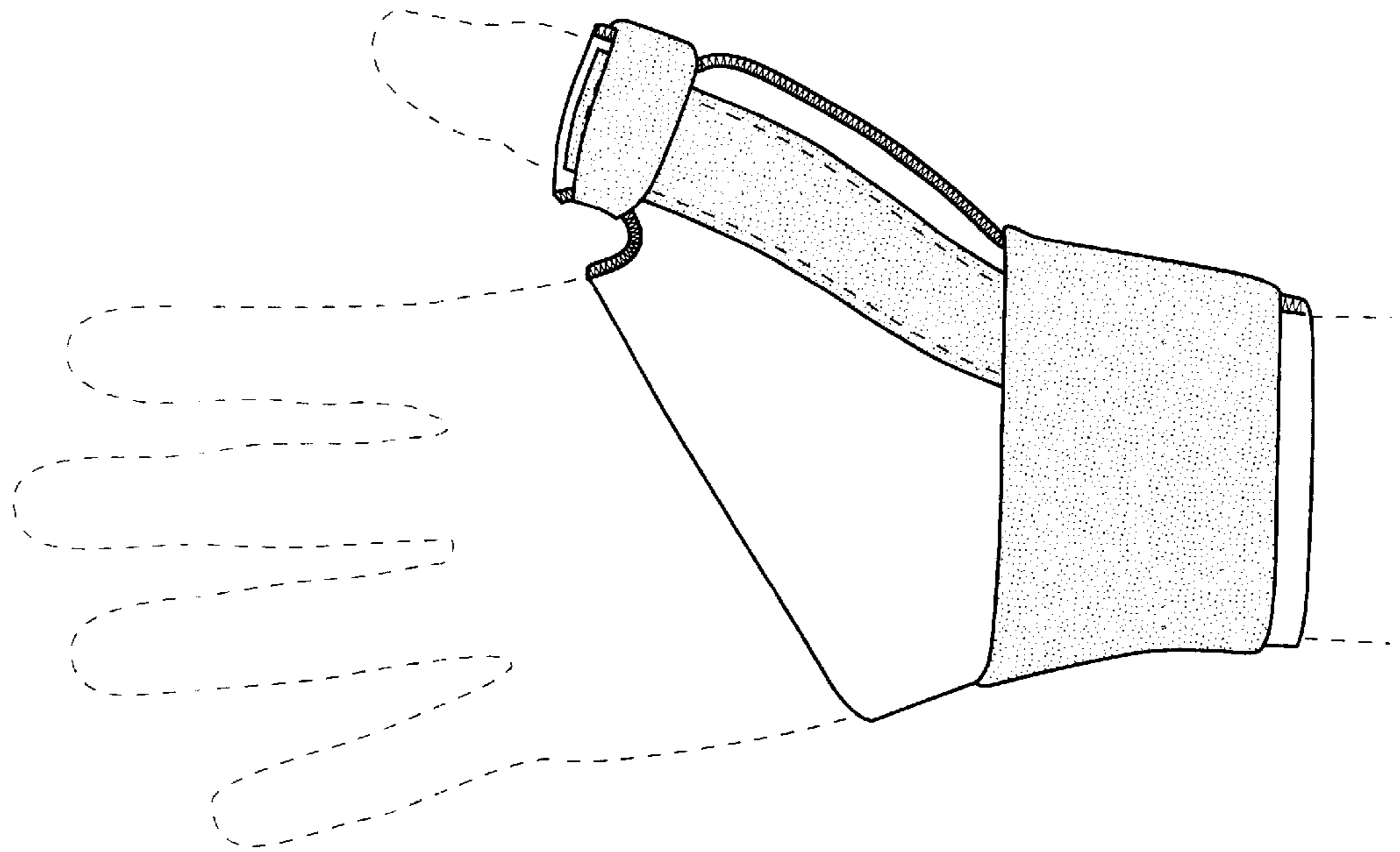
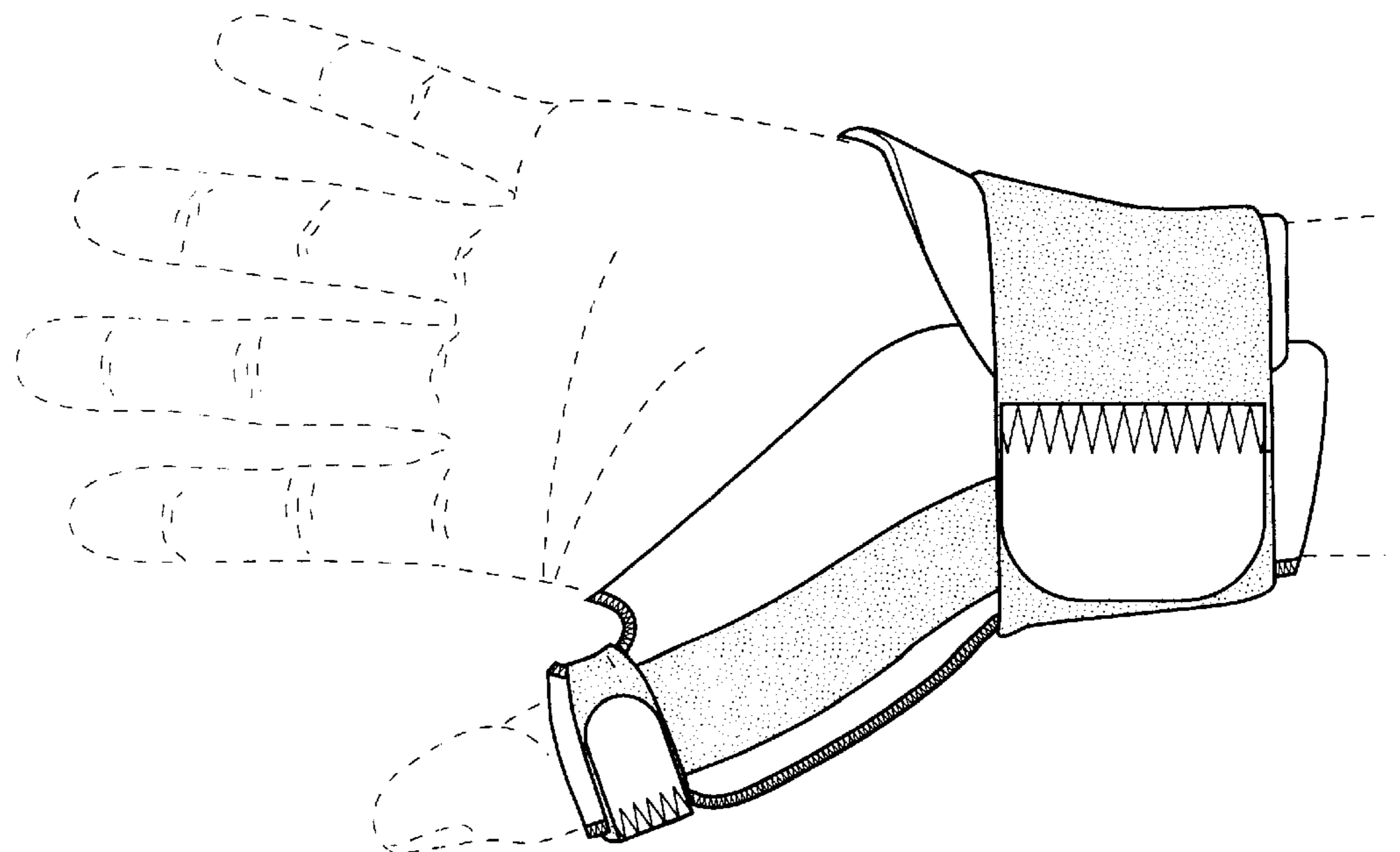


FIG. 5



UNITED STATES PATENT AND TRADEMARK OFFICE
CERTIFICATE OF CORRECTION

PATENT NO. : Des. 473,653 S
DATED : April 22, 2003
INVENTOR(S) : Weaver, II et al.

Page 1 of 2

It is certified that error appears in the above-identified patent and that said Letters Patent is hereby corrected as shown below:

Title page,

Item [56], **References Cited**, U.S. PATENT DOCUMENTS, insert the following:

-- D242,172	11/1976	Borenstein
D310,738	09/1990	Brown
D368,351	04/1996	Yewer, Jr.
D378,148	02/1997	Haney
D416,650	11/1999	Stevens
3,598,408	08/1971	Klose
3,815,908	06/1974	Hashimoto
4,047,250	09/1977	Norman
4,228,548	10/1980	Cohen
4,519,097	05/1985	Chappell, Jr. et al.
4,531,241	07/1985	Berger
4,584,993	04/1986	Nelson
4,632,105	12/1986	Barlow
4,658,441	04/1987	Smith
5,014,689	05/1991	Meunchen et al.
5,063,613	11/1991	Brown
5,267,943	12/1993	Dancyger
5,497,510	03/1996	Knowles et al.
5,513,657	05/1996	Nelson
5,526,531	06/1996	Olson et al.
5,538,501	07/1996	Caswell
5,682,611	11/1997	Kline
5,728,059	03/1998	Wiesemann et al.
5,787,896	08/1998	Sackett
5,819,313	10/1998	McCrane
5,873,130	02/1999	Lafferty
5,899,870	05/1999	Deirmendjian et al.
5,928,172	07/1999	Gaylord
5,933,868	08/1999	Bender
5,963,985	10/1999	Behr et al.
5,983,408	11/1999	Li
5,987,641	11/1999	Walker
5,997,496	12/1999	Cook et al.

UNITED STATES PATENT AND TRADEMARK OFFICE
CERTIFICATE OF CORRECTION

PATENT NO. : Des. 473,653 S
DATED : April 22, 2003
INVENTOR(S) : Weaver, II et al.

Page 2 of 2

It is certified that error appears in the above-identified patent and that said Letters Patent is hereby corrected as shown below:

Title page,

Item [56], **References Cited**, U.S. PATENT DOCUMENTS, cont'd:

6,013,044	01/2000	Estwanik
6,024,715	02/2000	Maxwell
6,093,165	07/2000	Estwanik
6,101,628	08/2000	Earl
6,146,348	11/2000	Slutterback
6,142,966	11/2000	Hely
6,186,969	02/2001	Bell et al.
6,190,344	02/2001	Bobroff
6,195,803	03/2001	Russell et al.
6,196,985	03/2001	Slutterback
6,199,211	03/2001	Franzolino
6,200,286	03/2001	Zamani
6,219,843	04/2001	Passi et al.
6,261,252	07/2001	Darcey
6,269,487	08/2001	Schryver et al. --.

Signed and Sealed this

Twenty-sixth Day of August, 2003



JAMES E. ROGAN
Director of the United States Patent and Trademark Office