



US00D473648S

(12) **United States Design Patent**  
**Muraca**

(10) **Patent No.:** **US D473,648 S**

(45) **Date of Patent:** **\*\* Apr. 22, 2003**

(54) **STYLET**

(75) Inventor: **Patrick J. Muraca**, Pittsfield, MA (US)

(73) Assignee: **Clinomics Biosciences, Inc.**, Pittsfield, MA (US)

(\*\*) Term: **14 Years**

(21) Appl. No.: **29/131,964**

(22) Filed: **Oct. 31, 2000**

(51) **LOC (7) Cl.** ..... **24-02**

(52) **U.S. Cl.** ..... **D24/146**

(58) **Field of Search** ..... D24/146, 147;  
604/157, 161, 164; 422/63; 435/283.1,  
285.3, 286.3, 284.1, 309.1, 308.1; 83/100,  
99, 98; 600/587

(56) **References Cited**

**U.S. PATENT DOCUMENTS**

4,341,735	A	*	7/1982	Seifried	.....	422/66
4,684,613	A	*	8/1987	Barrere et al.	.....	435/286.3
D379,515	S	*	5/1997	Kuehn et al.	.....	D24/146
5,675,715	A	*	10/1997	Bernstein et al.	.....	700/247
5,807,522	A		9/1998	Brown et al.	.....	422/50
6,103,518	A		8/2000	Leighton	.....	435/286.3

**FOREIGN PATENT DOCUMENTS**

WO WO - 99/44062 9/1999

**OTHER PUBLICATIONS**

U.S. patent application Ser. No. 09/779,753, filed Feb. 8, 2001.

U.S. patent application Ser. No. 09/779,187, filed Feb. 8, 2001.

\* cited by examiner

*Primary Examiner*—Ian Simmons

(74) *Attorney, Agent, or Firm*—Palmer & Dodge, LLP

(57) **CLAIM**

The ornamental design for a stylet, as shown and described.

**DESCRIPTION**

FIG. 1 is a side elevational view of a stylet, showing our new design;

FIG. 2 is a perspective view thereof;

FIG. 3 is an exploded perspective view thereof;

FIG. 4 is a front and upper perspective view of the handle section, with the cap portion and spring removed;

FIG. 5 is a perspective view of the cap portion, with the handle section and spring removed;

FIG. 6 is a front side view of the handle section shown in FIG. 4;

FIG. 7 is a front side view of the cap portion shown in FIG. 5;

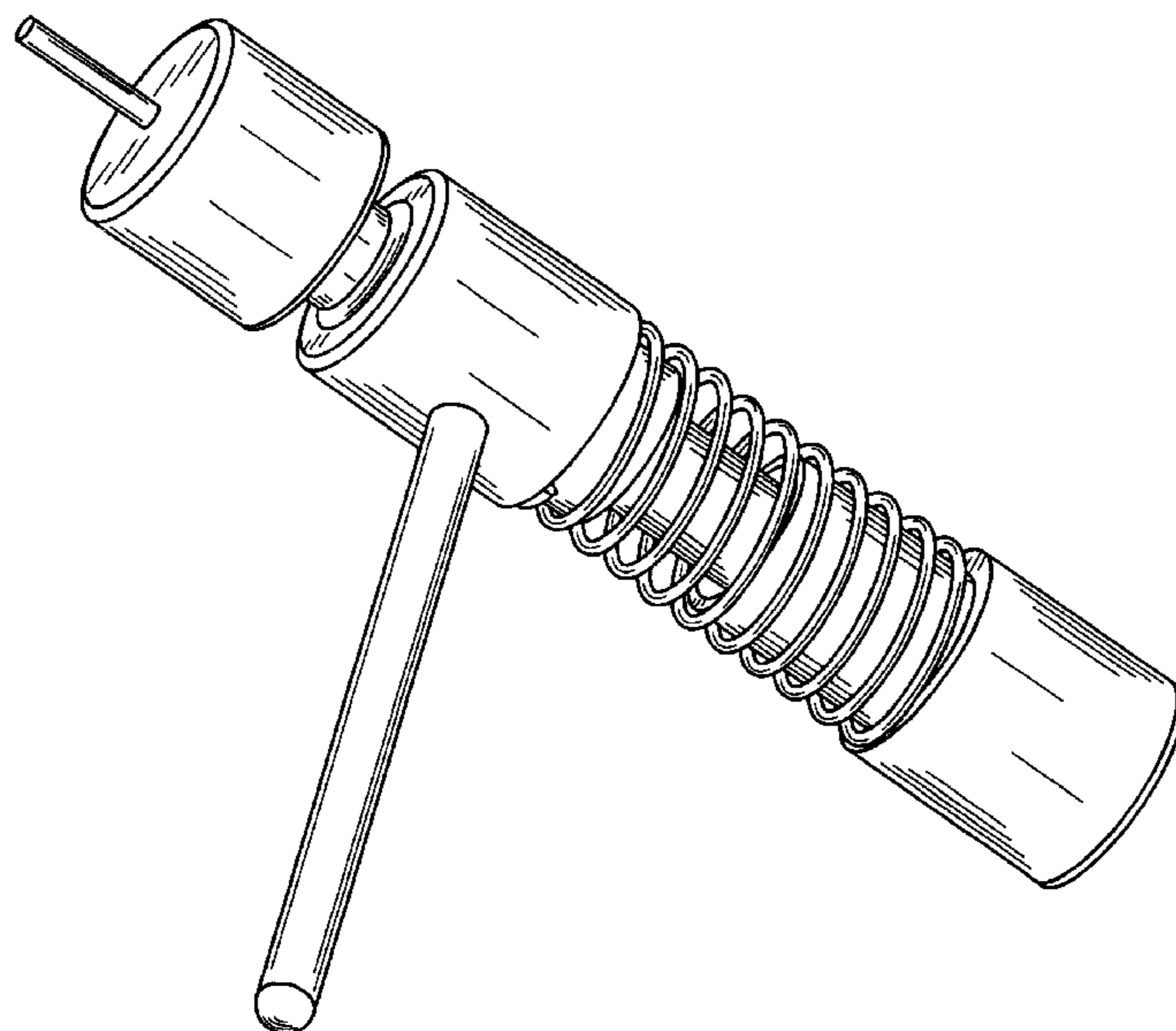
FIG. 8 is a rear side view of the handle section shown in FIG. 4, with the handle detail and tubing removed;

FIG. 9 is a left side view of the handle section shown in FIG. 4, with the handle detail and tubing removed;

FIG. 10 is a rear and lower perspective view thereof; and,

FIG. 11 is a rear side view of the cap portion shown in FIG. 5, with the needle detail removed.

**1 Claim, 6 Drawing Sheets**



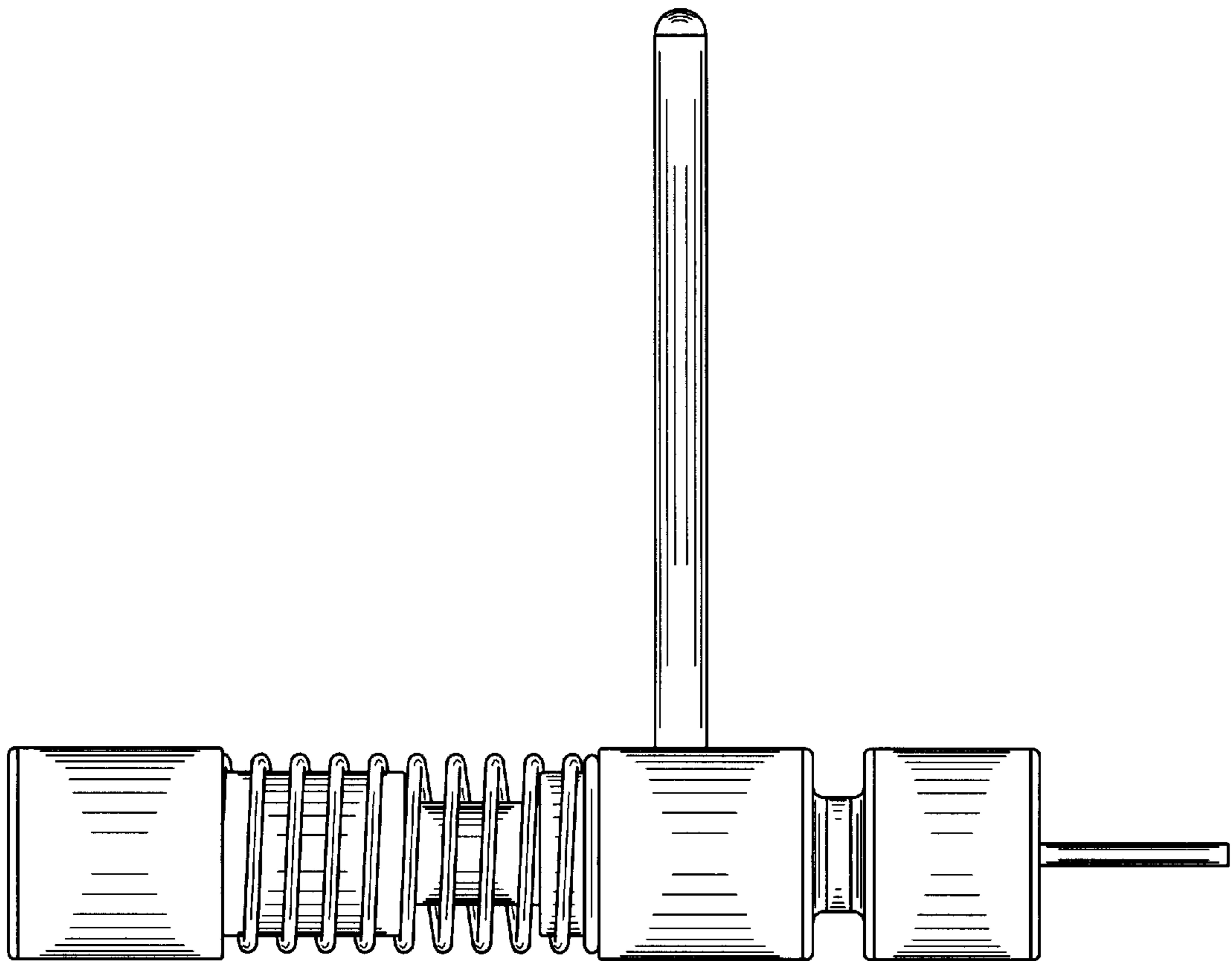


FIG. 1

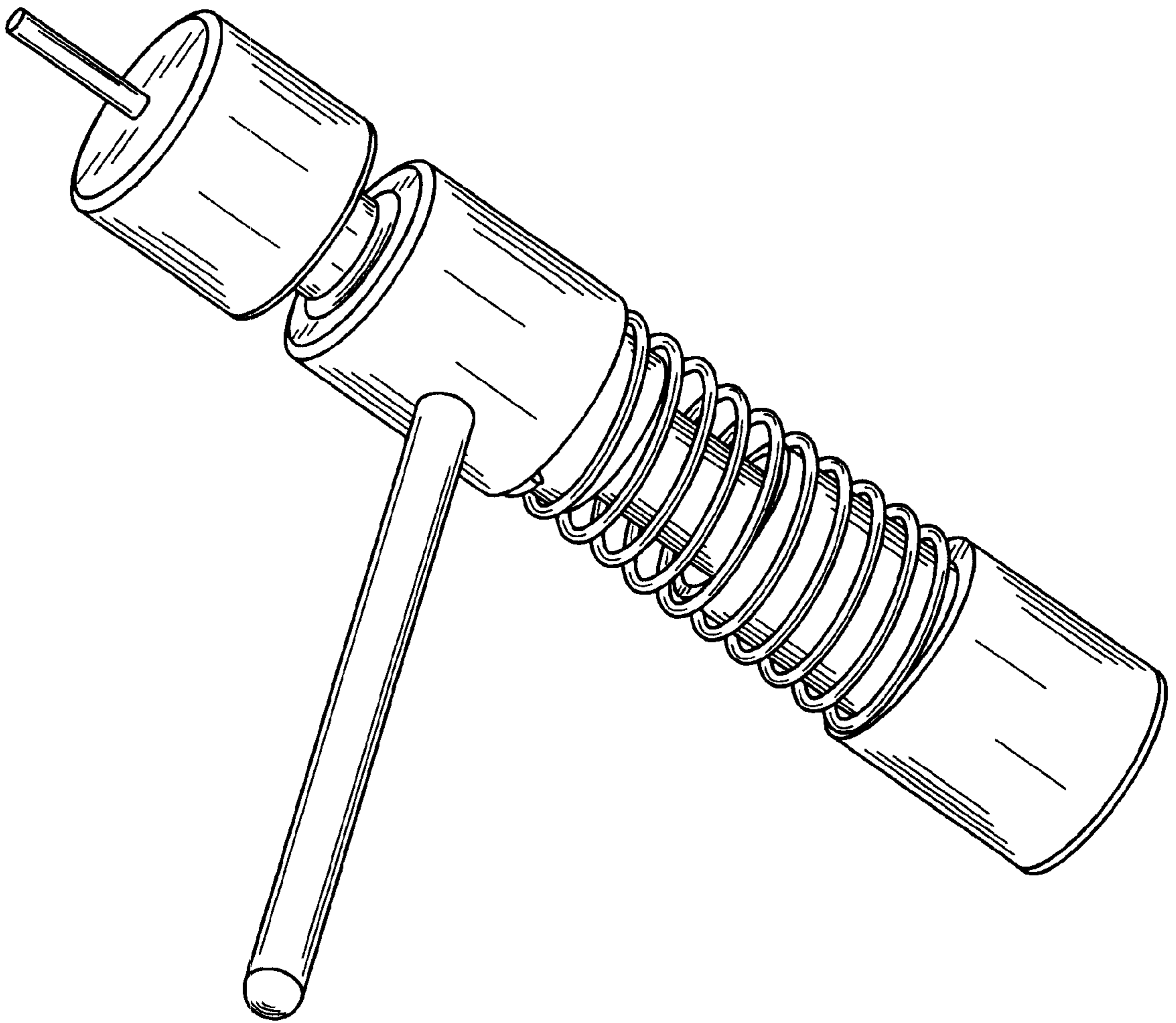


FIG. 2

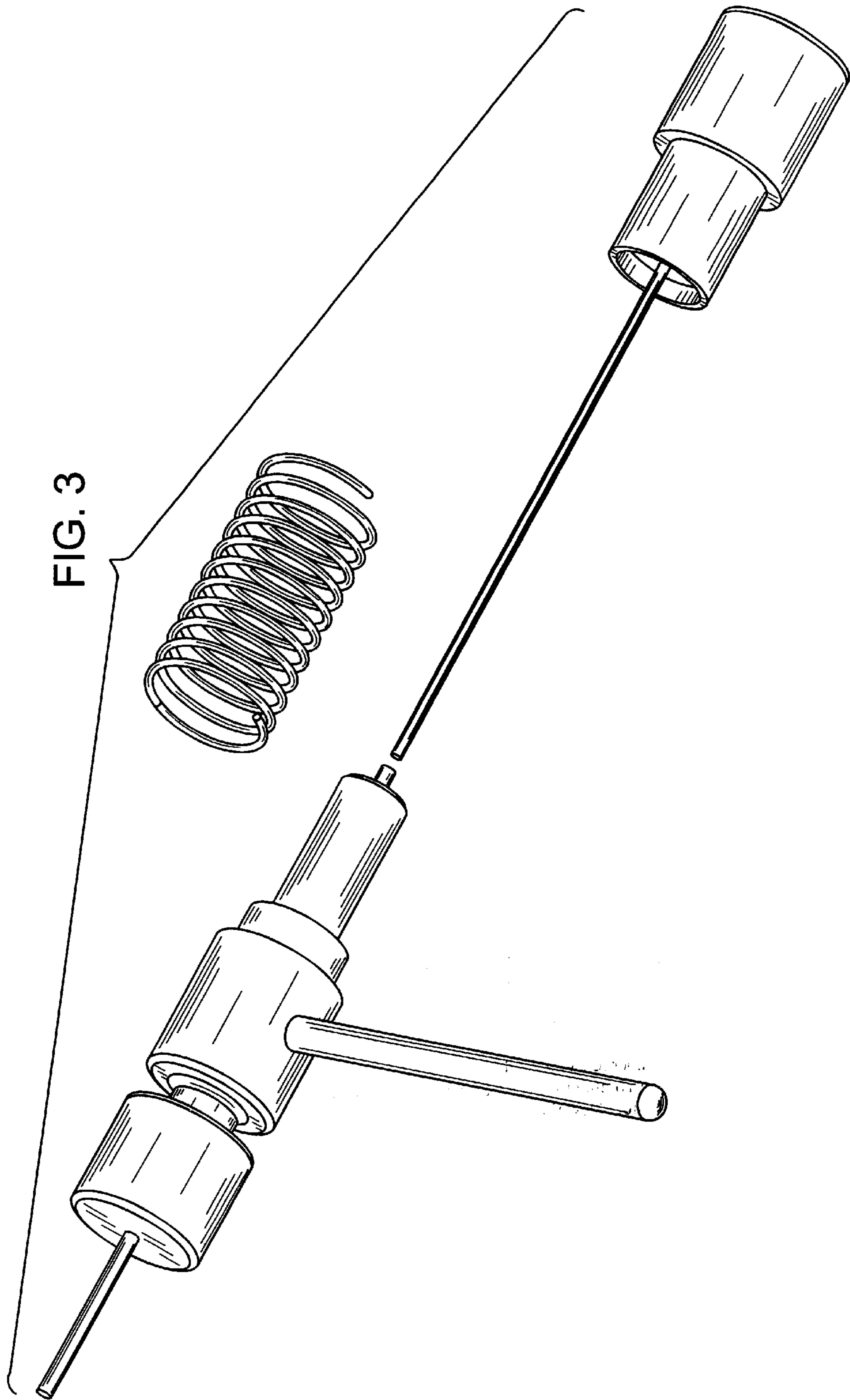


FIG. 5

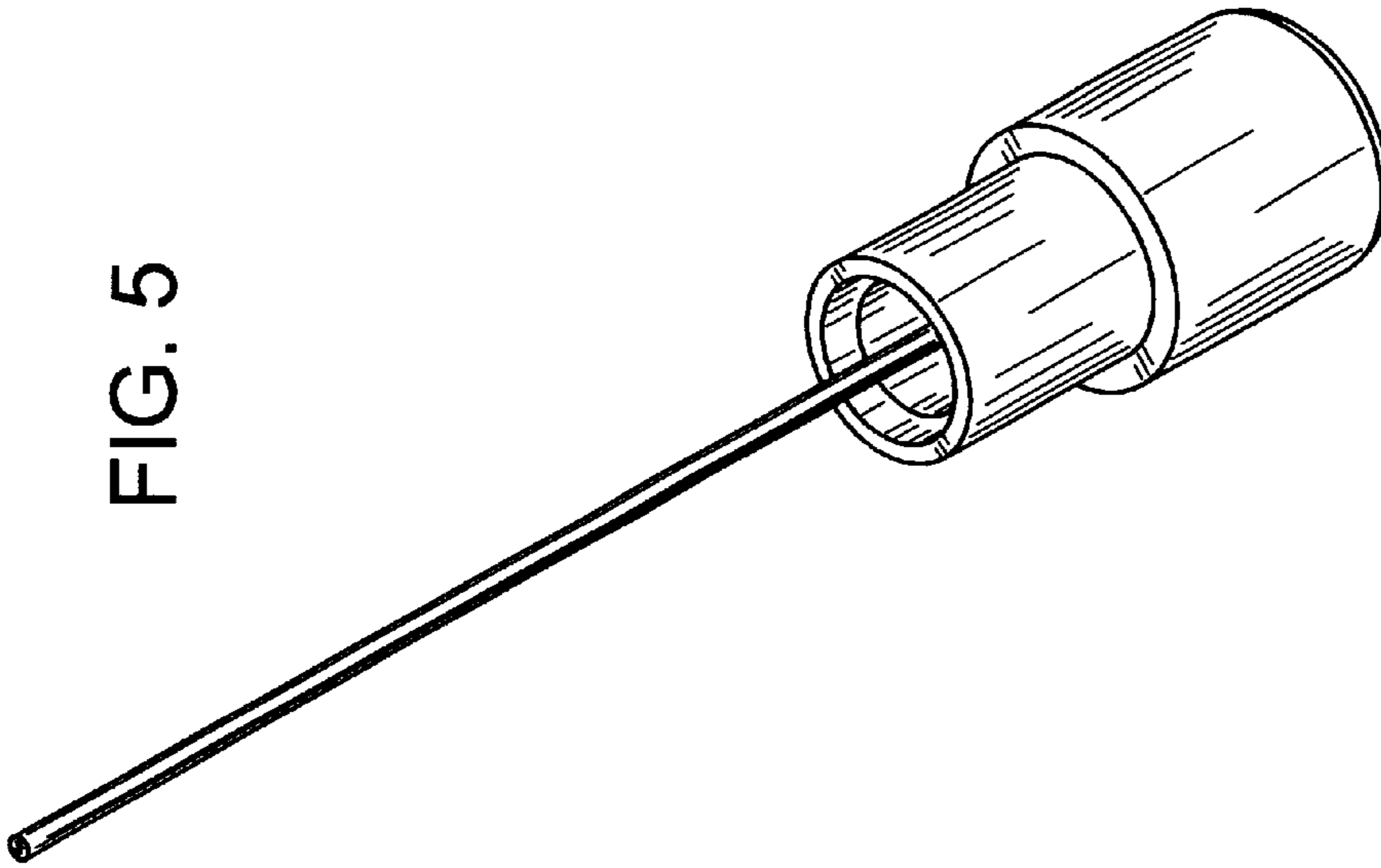
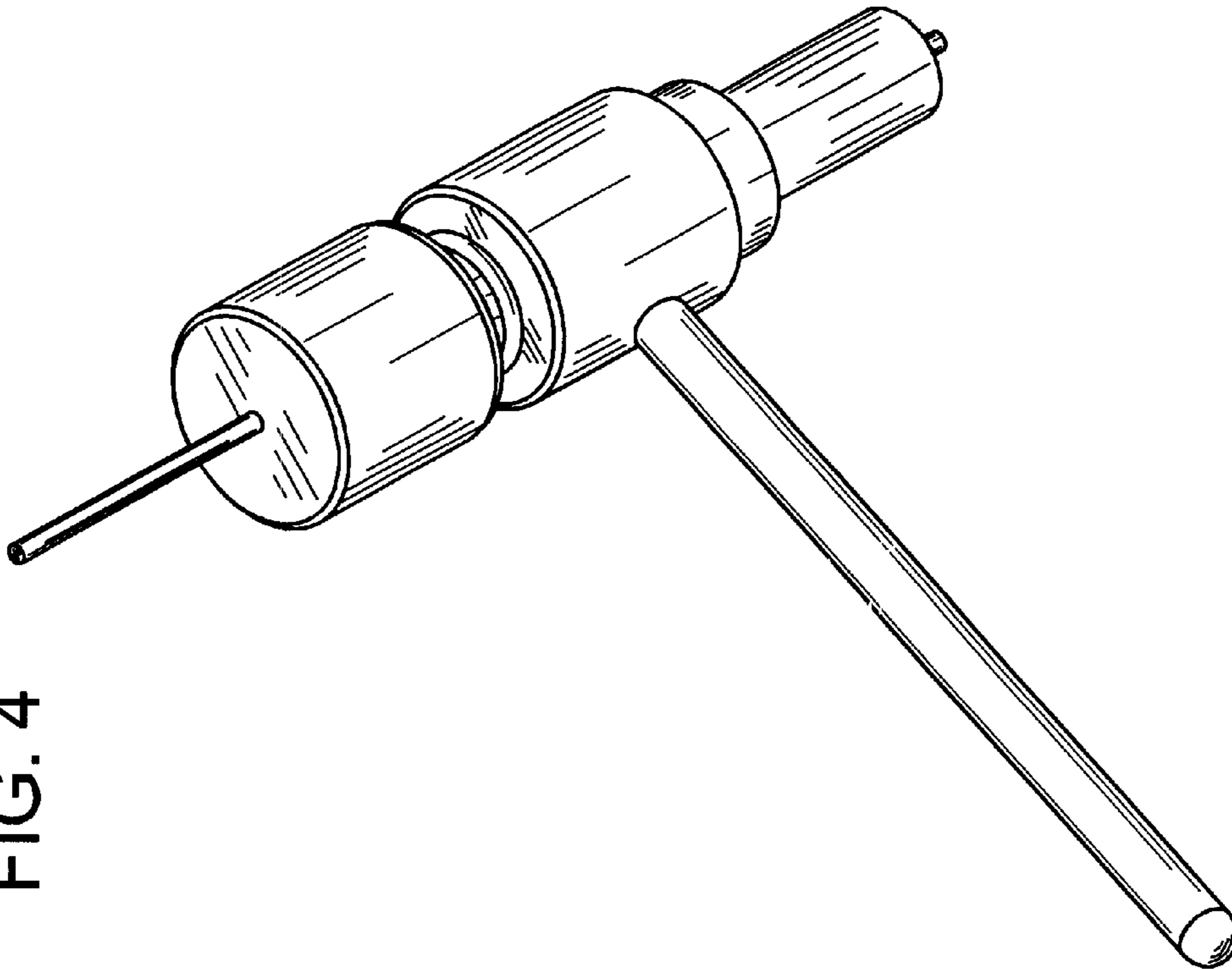


FIG. 4



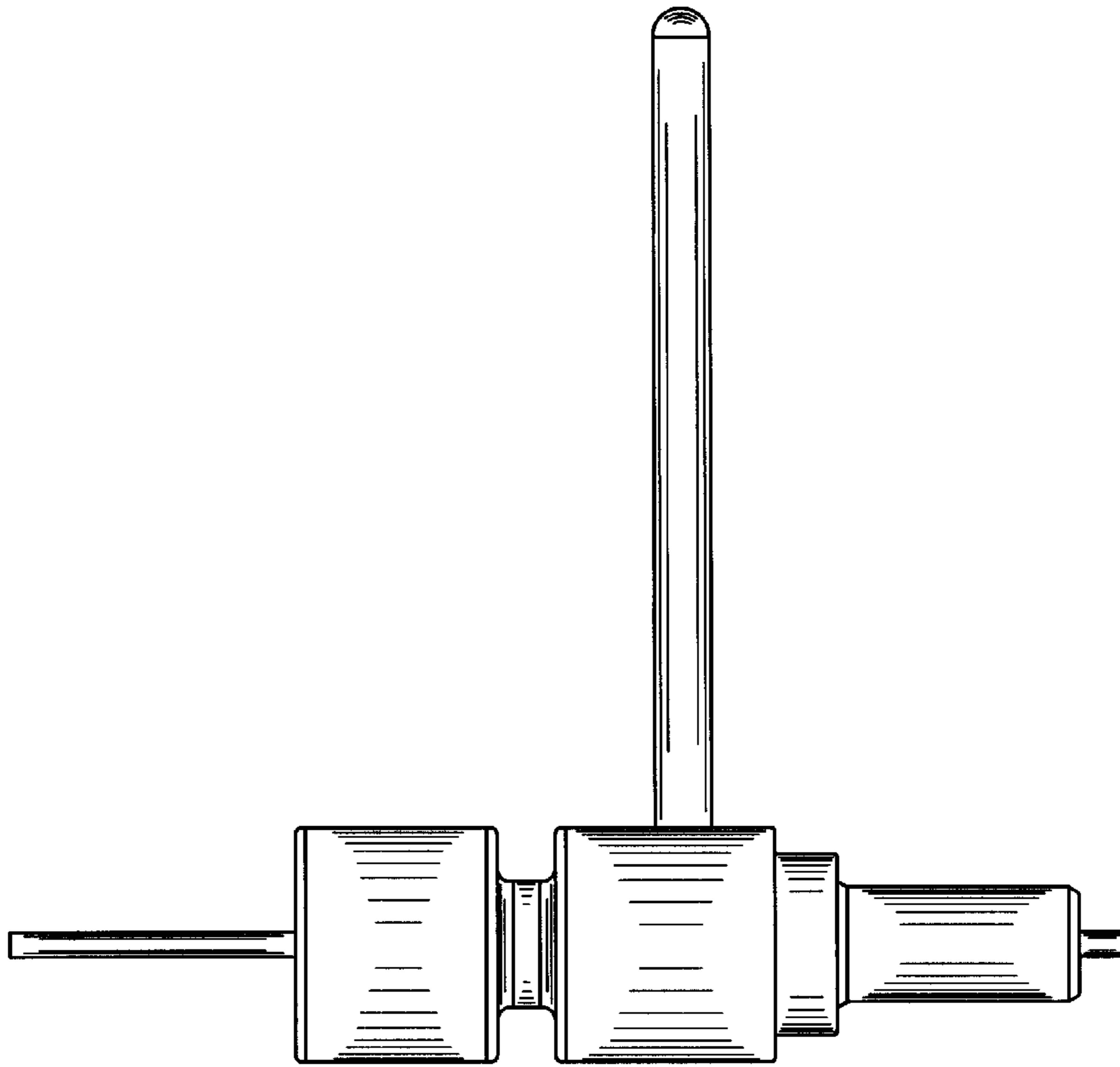


FIG. 6

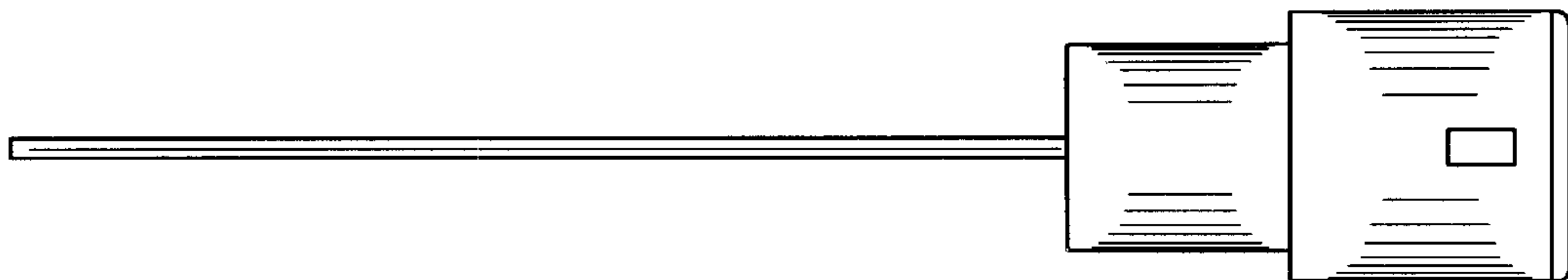


FIG. 7

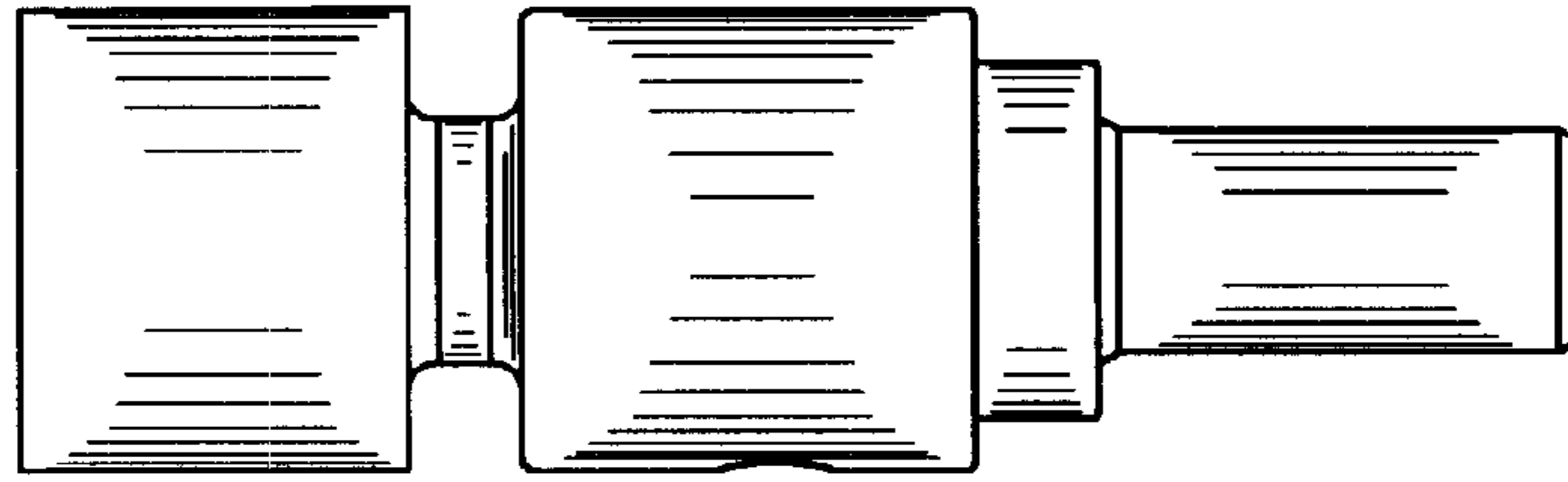


FIG. 8

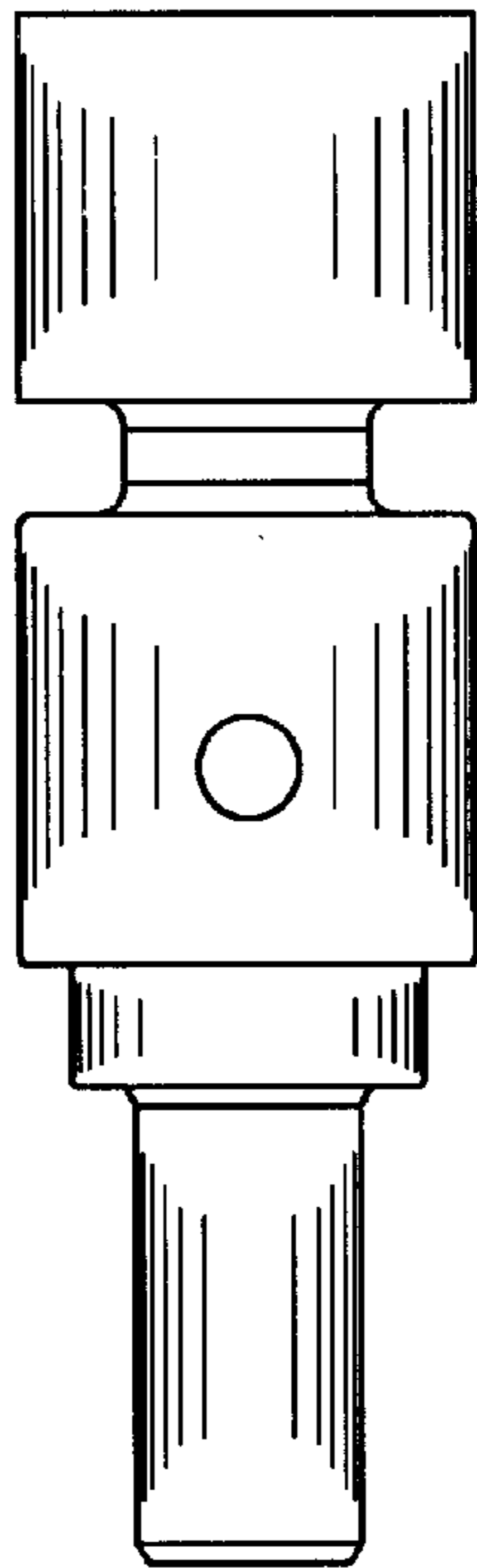


FIG. 9

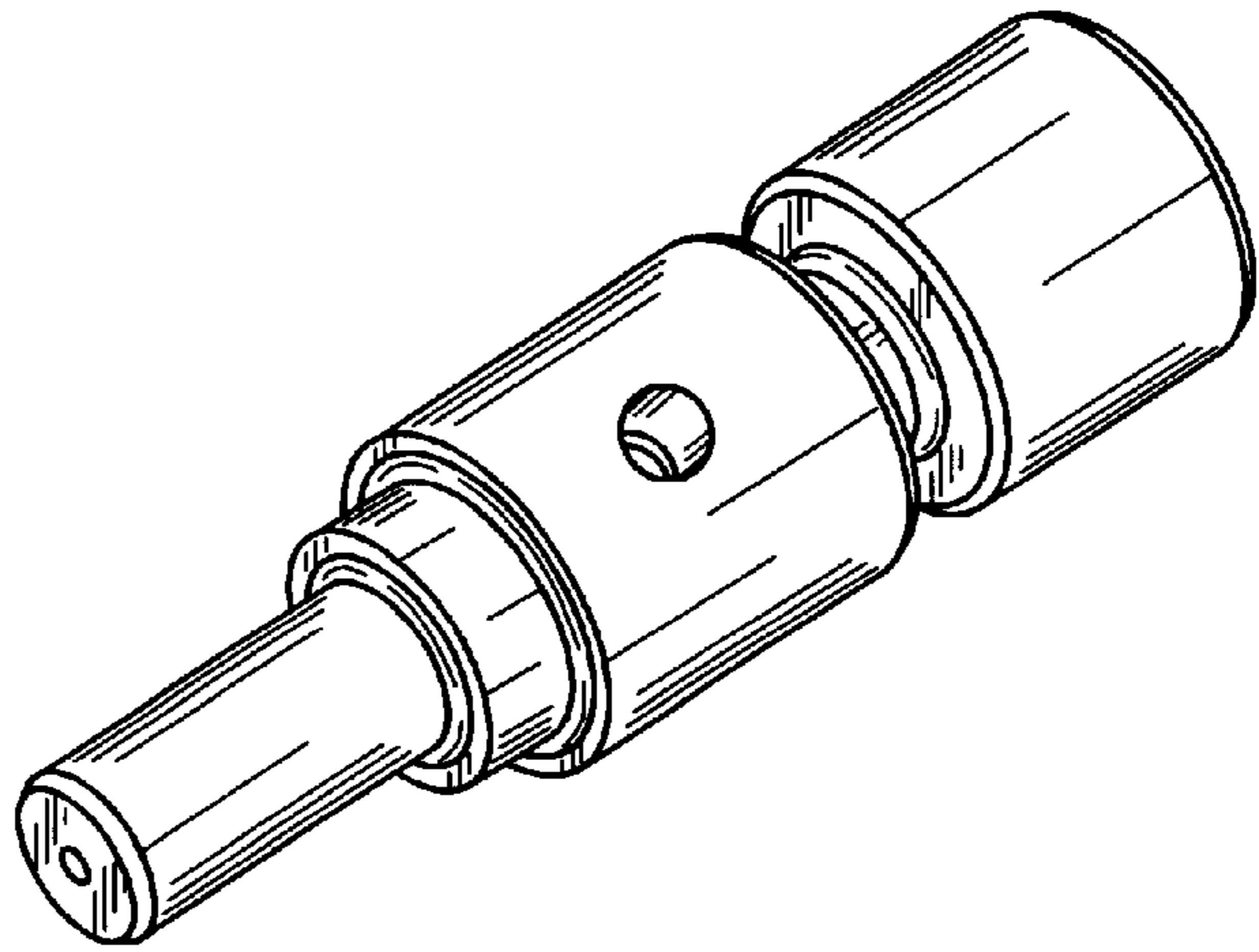


FIG. 10

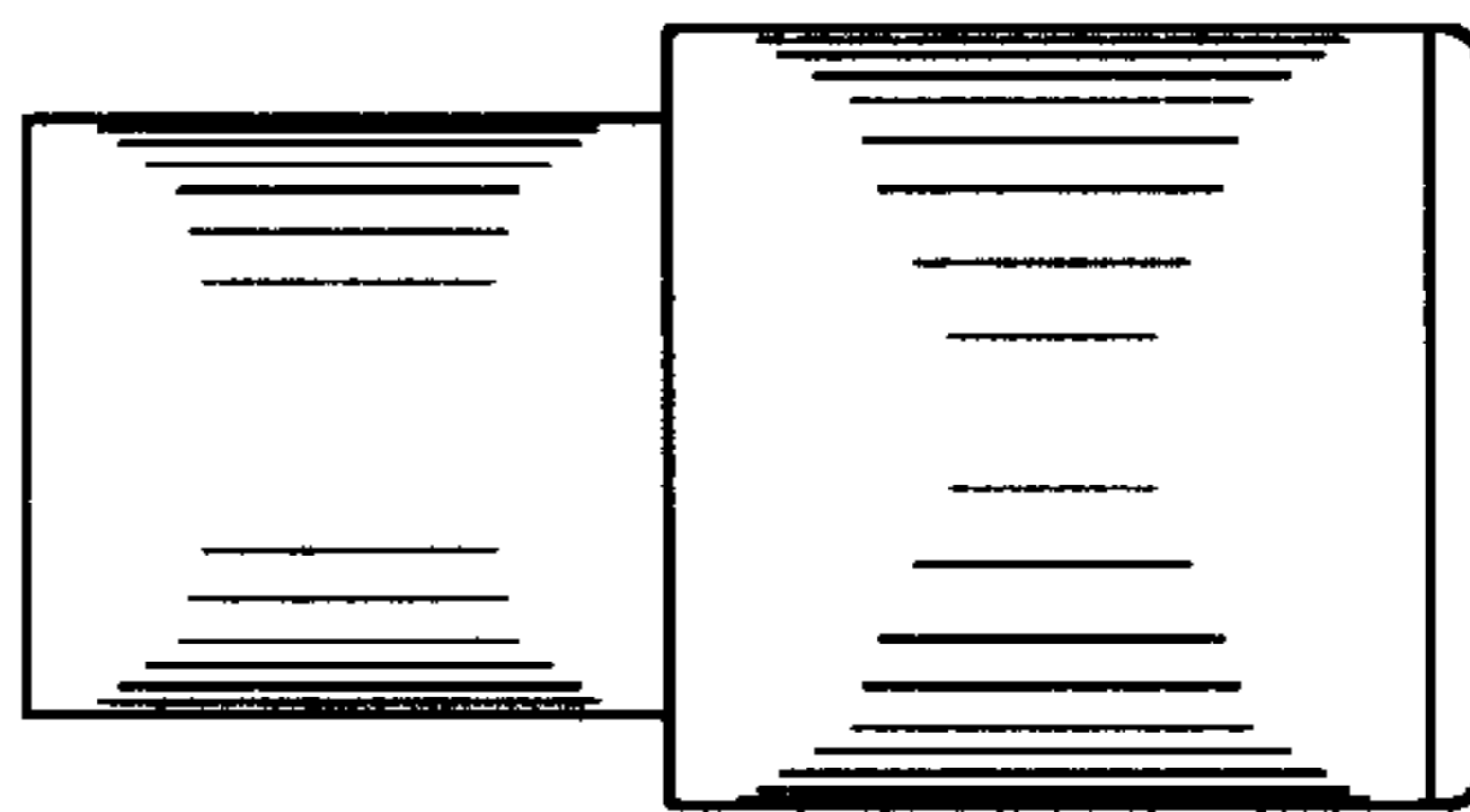


FIG. 11