



US00D473647S

(12) **United States Design Patent**
Francavilla et al.

(10) **Patent No.: US D473,647 S**

(45) **Date of Patent: ** Apr. 22, 2003**

(54) **ADAPTOR FOR POINT OF CARE TESTING CARTRIDGE**

(75) Inventors: **Frank Francavilla**, Newton, NJ (US);
Jamieson William Maclean Crawford,
New York, NY (US)

(73) Assignee: **Becton, Dickinson and Company**,
Franklin Lakes, NJ (US)

(**) Term: **14 Years**

(21) Appl. No.: **29/157,900**

(22) Filed: **Mar. 26, 2002**

(51) **LOC (7) Cl. 24-02**

(52) **U.S. Cl. D24/129**

(58) **Field of Search D24/112, 130,**
D24/129; 604/403, 535, 537, 533, 249,
905; 251/149.1, 149.4, 149.7, 149.9; 29/890.126

(56) **References Cited**

U.S. PATENT DOCUMENTS

4,393,882 A	7/1983	White	
5,096,669 A	3/1992	Lauks et al.	
5,181,508 A *	1/1993	Poole, Jr.	D24/129
5,263,922 A	11/1993	Sova et al.	
5,389,086 A	2/1995	Attermeier et al.	
5,533,983 A *	7/1996	Haining	604/249
5,573,516 A *	11/1996	Tyner	604/249
5,611,785 A	3/1997	Mito et al.	

5,637,101 A	6/1997	Shillington	
5,638,828 A	6/1997	Lauks et al.	
5,694,686 A *	12/1997	Lopez	29/890.126
5,746,733 A	5/1998	Capaccio et al.	
5,779,650 A	7/1998	Lauks et al.	
5,806,831 A	9/1998	Paradis	
6,010,463 A	1/2000	Lauks et al.	
6,027,482 A	2/2000	Imbert	
6,106,502 A *	8/2000	Richmond	604/246
6,213,597 B1	4/2001	Liu	

* cited by examiner

Primary Examiner—Ian Simmons

(74) *Attorney, Agent, or Firm*—Gerald E. Hespos; Anthony J. Casella

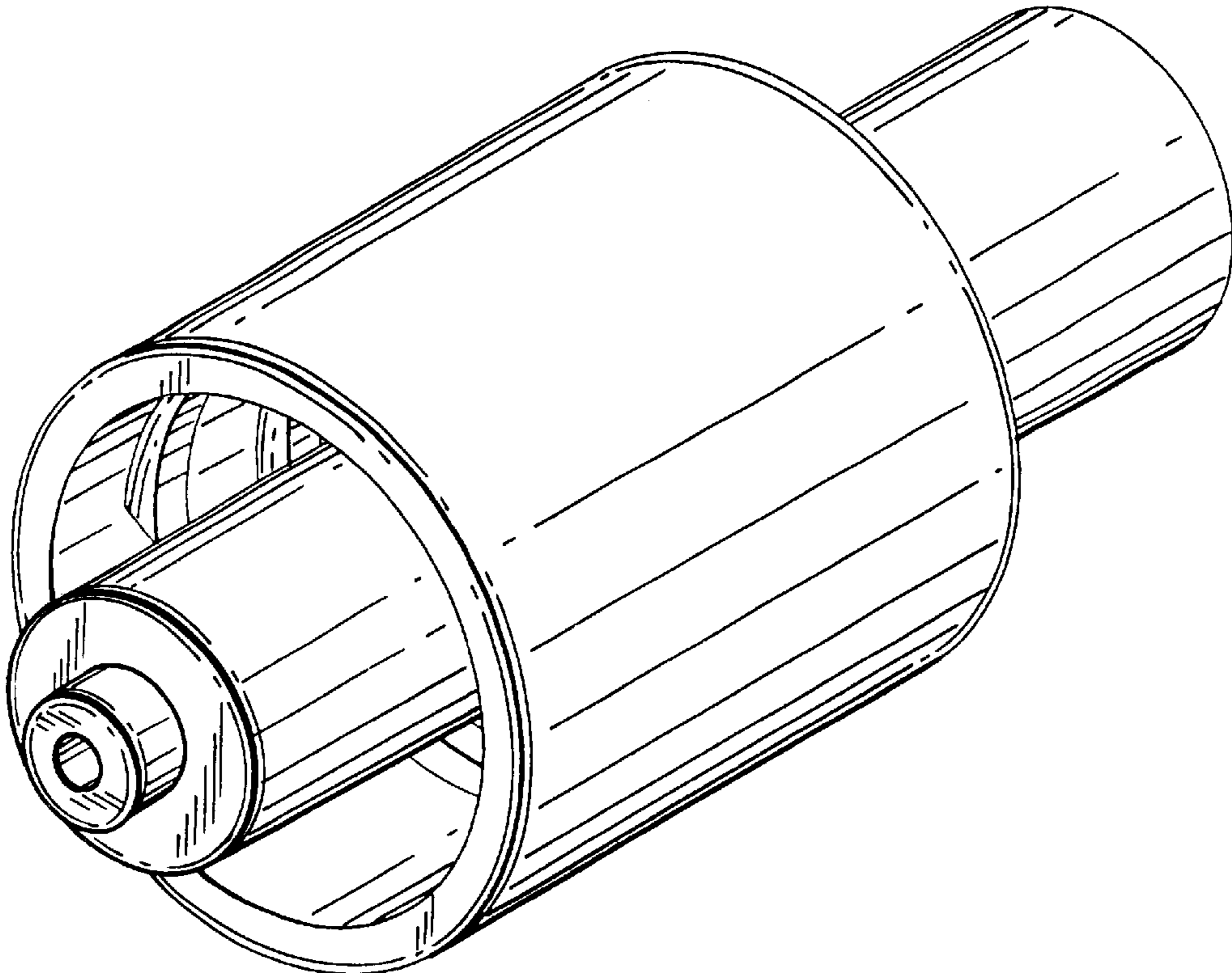
(57) **CLAIM**

The ornamental design for an adaptor for point of care testing cartridge, as shown and described.

DESCRIPTION

FIG. 1 is a perspective view of a adaptor for point of care testing cartridge in accordance with our design;
FIG. 2 is a front elevational view thereof;
FIG. 3 is a side elevational view thereof, with the opposite side elevational view, the top view and the bottom view being substantially identical;
FIG. 4 is a rear elevational view thereof; and,
FIG. 5 is a cross-sectional view thereof, taken along line 5—5 of FIG. 2.

1 Claim, 3 Drawing Sheets



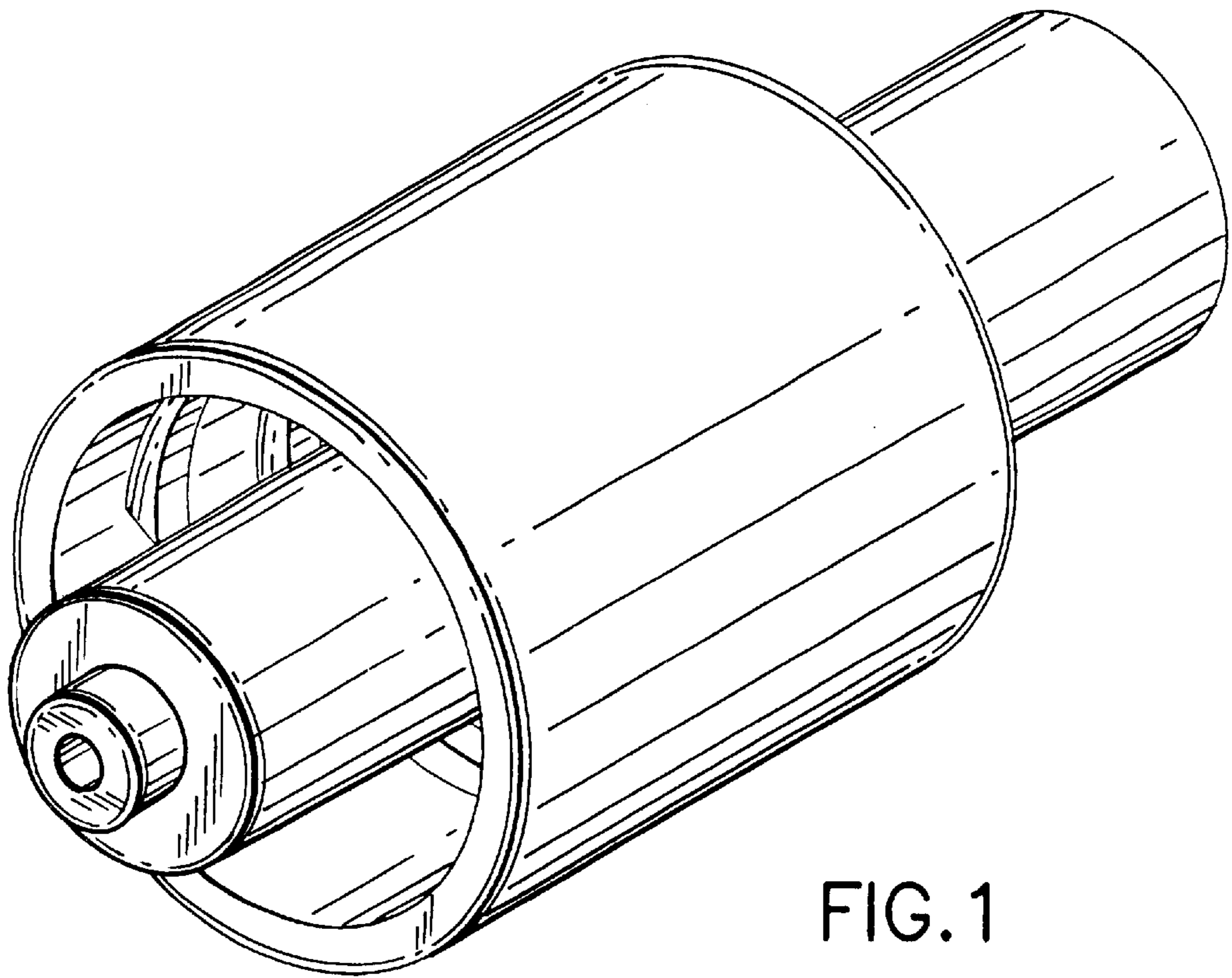


FIG. 1

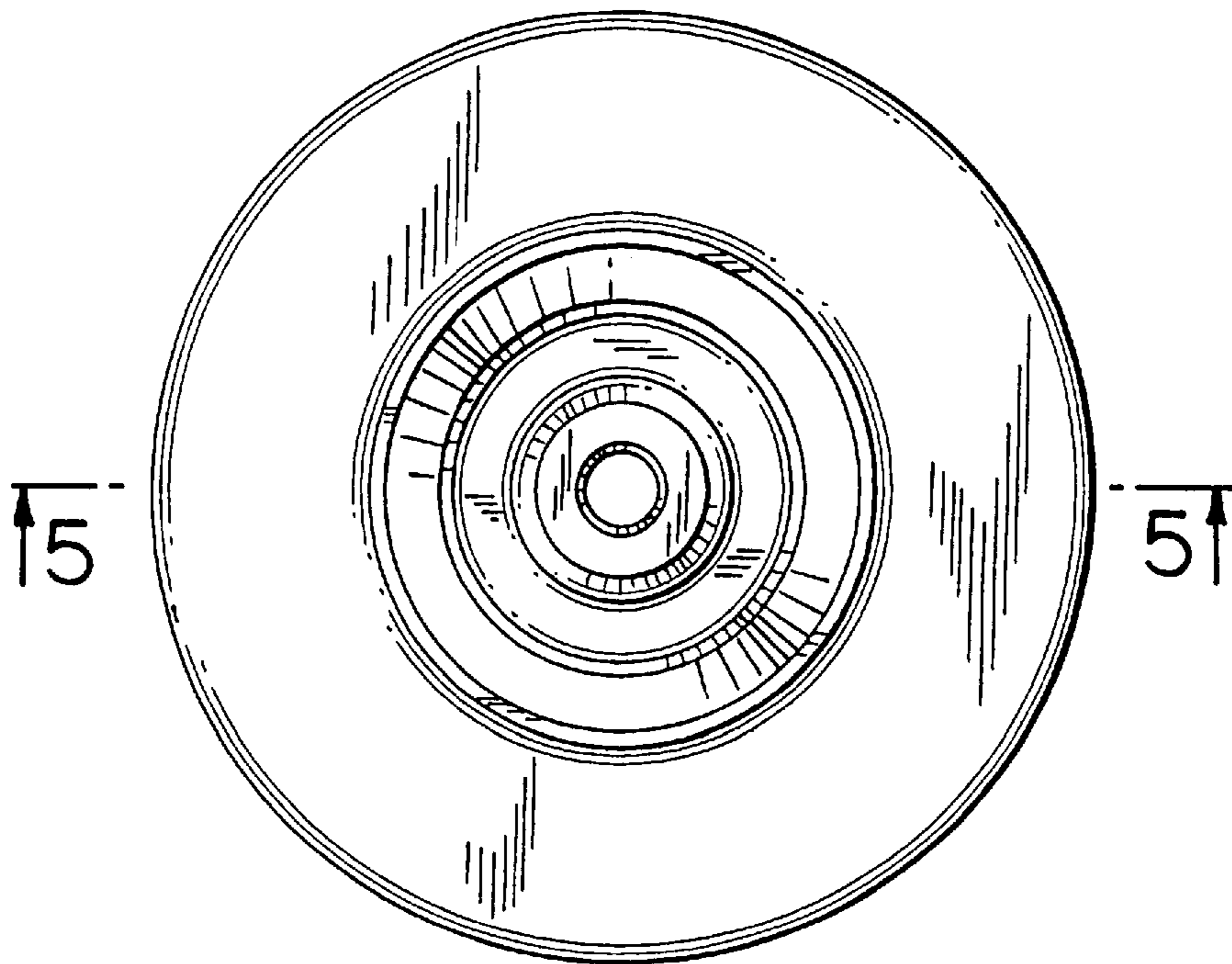


FIG. 2

FIG.3

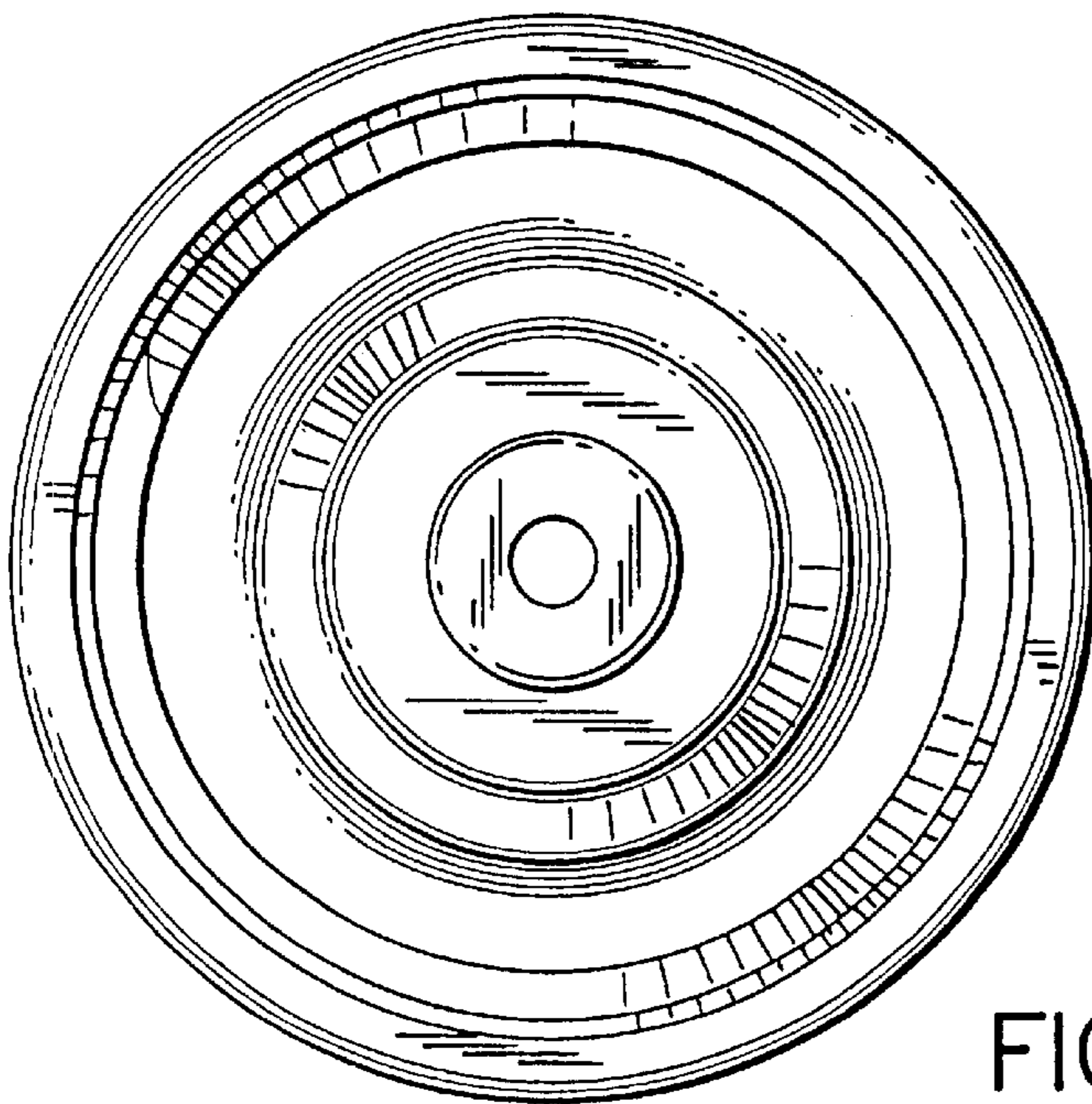
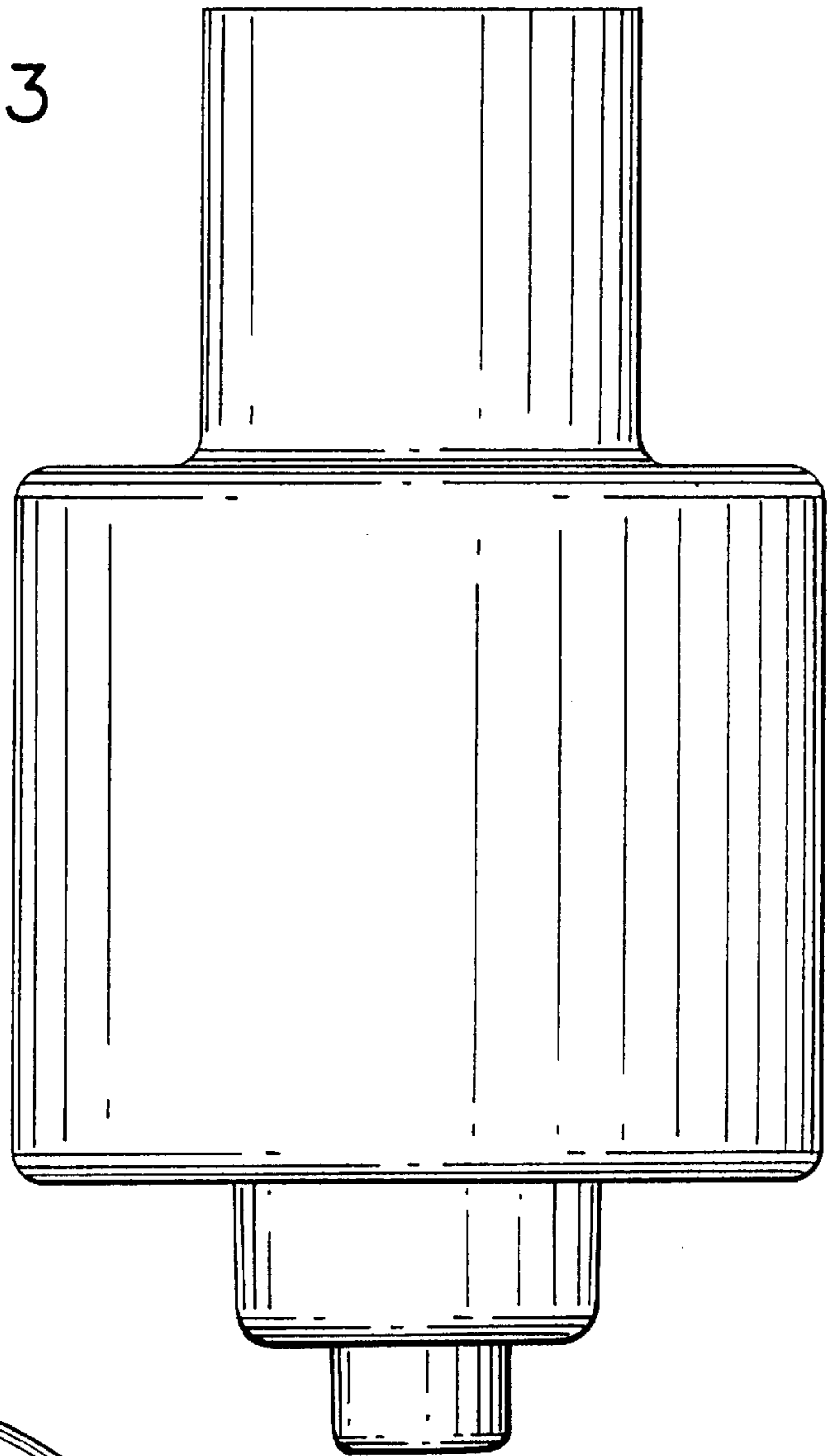


FIG.4

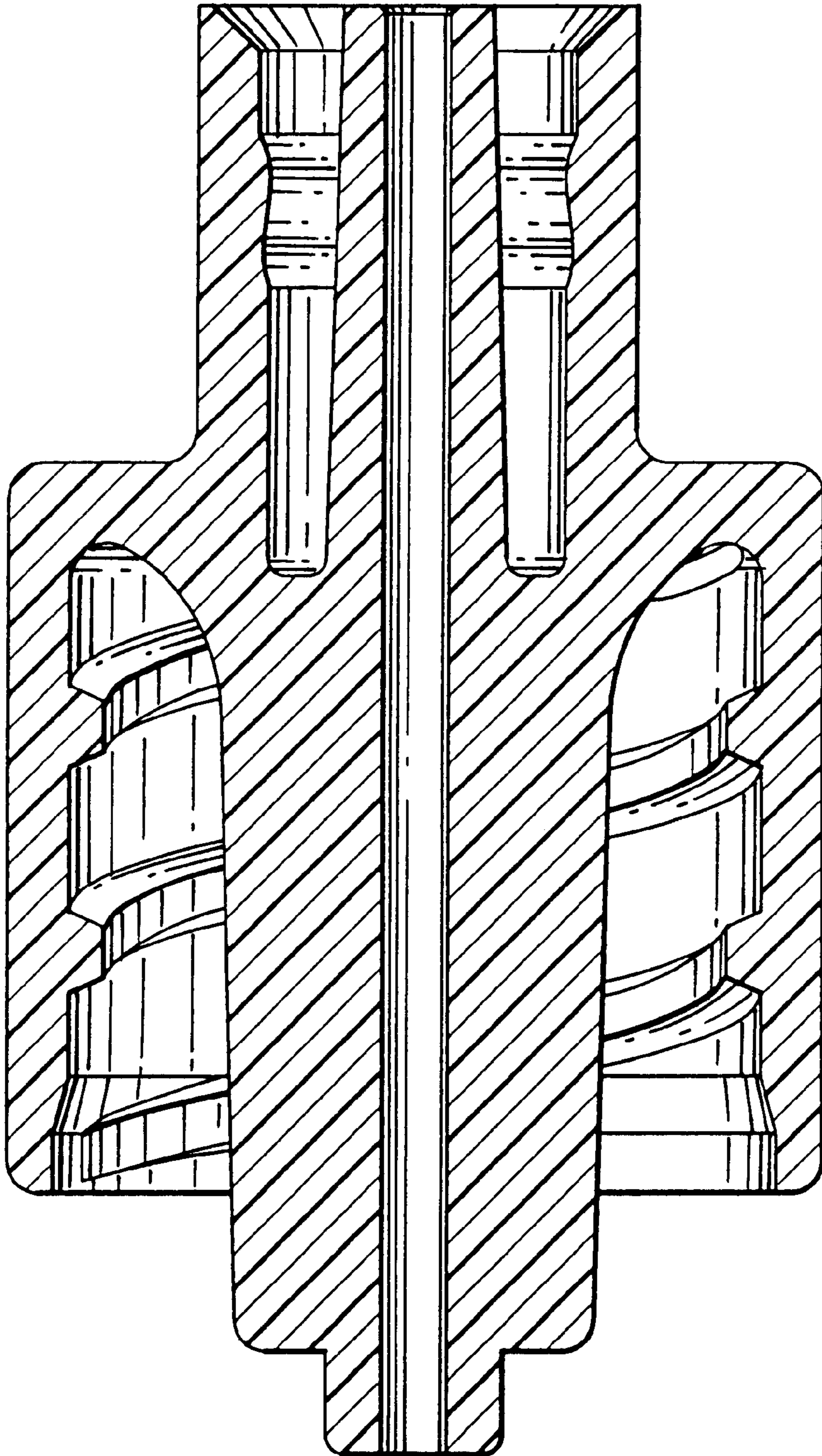


FIG. 5