



US00D473646S

(12) **United States Design Patent**
Baillargeon et al.

(10) **Patent No.:** **US D473,646 S**

(45) **Date of Patent:** **** Apr. 22, 2003**

(54) **IRRIGATION/ASPIRATION INSTRUMENT CONNECTOR**

(75) Inventors: **Jean-Martin Baillargeon**, Kirkland, WA (US); **Lawrence Laks**, Bellevue, WA (US)

(73) Assignee: **MicroSurgical Technology, Inc.**, Redmond, WA (US)

(**) Term: **14 Years**

(21) Appl. No.: **29/152,923**

(22) Filed: **Dec. 21, 2001**

(51) **LOC (7) Cl.** **24-02**

(52) **U.S. Cl.** **D24/129**

(58) **Field of Search** D24/129, 108, D24/111, 112; 604/905, 256, 86; D23/262, 264; 285/351, 137.1, 119, 315

(56) **References Cited**

U.S. PATENT DOCUMENTS

- 4,580,816 A * 4/1986 Campbell et al. 285/351
- 4,619,640 A * 10/1986 Potolsky et al. 604/905
- D321,251 S * 10/1991 Jepson et al. D24/112
- D380,037 S * 6/1997 Grantham D23/262
- 6,406,470 B1 * 6/2002 Kierce 604/905

* cited by examiner

Primary Examiner—Ian Simmons

(74) *Attorney, Agent, or Firm*—Christensen O'Connor Johnson Kindness PLLC

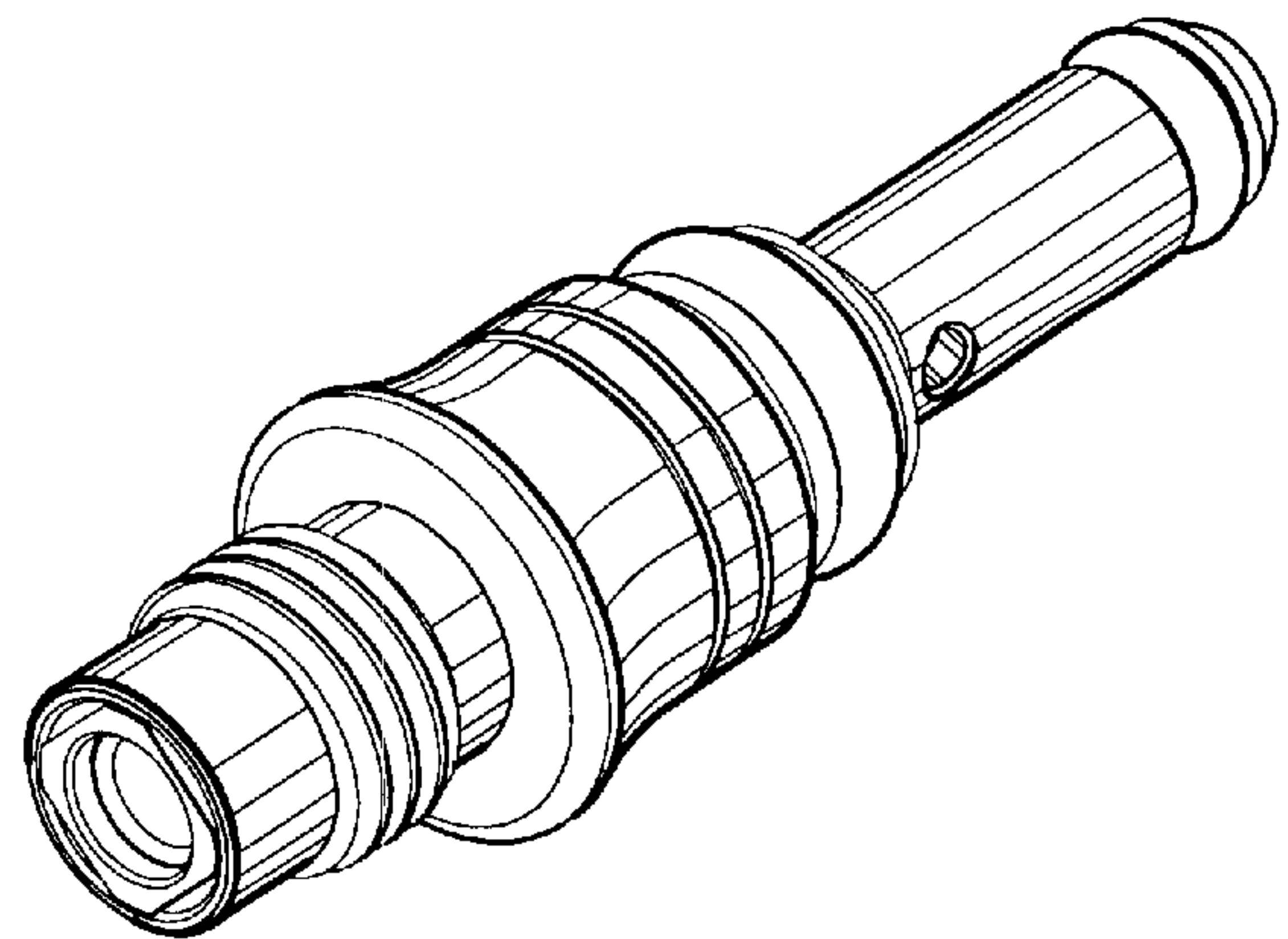
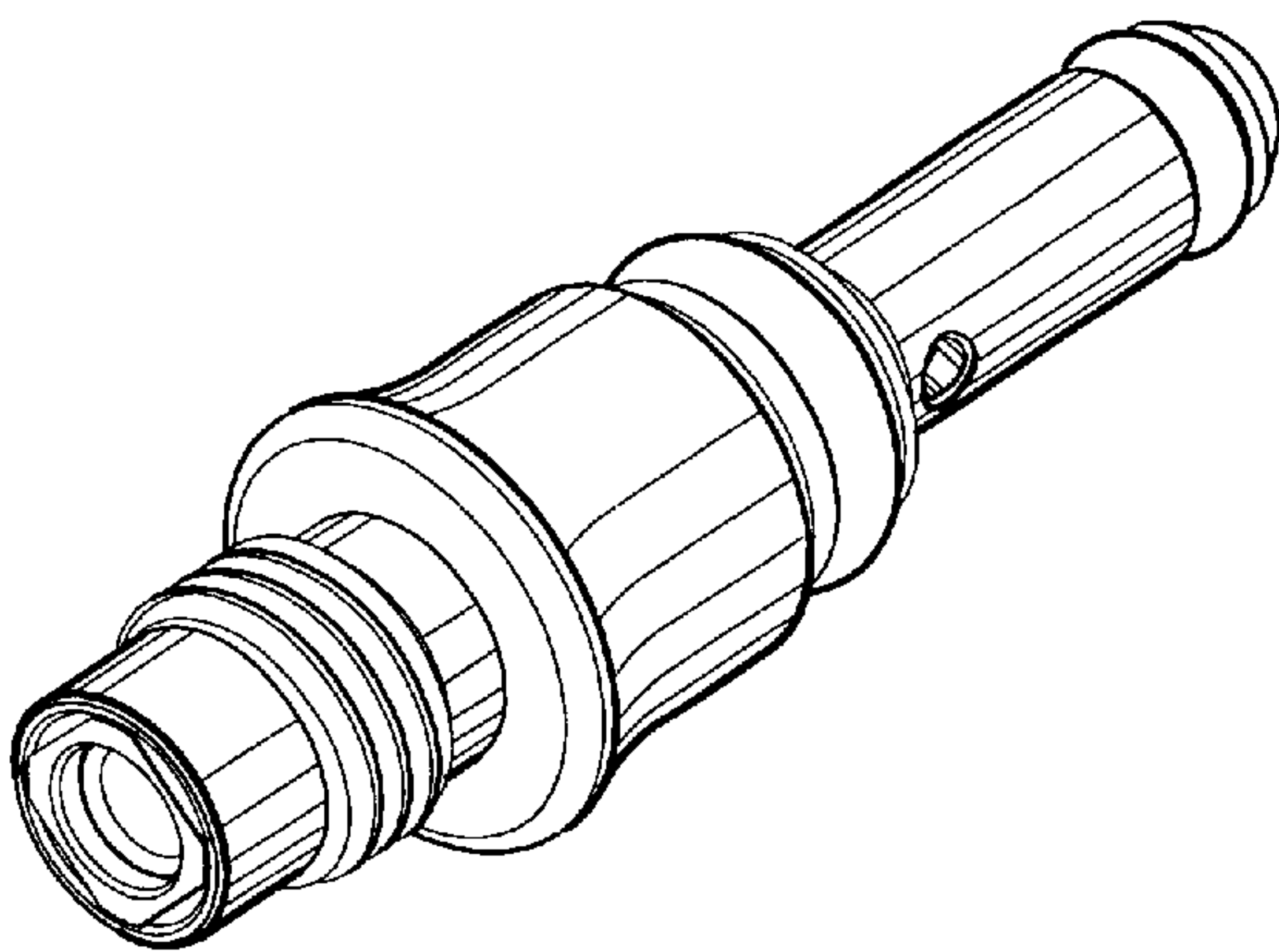
(57) **CLAIM**

The ornamental design for an irrigation/aspiration instrument connector, as shown and described.

DESCRIPTION

FIG. 1 is a top front perspective view of an irrigation/aspiration instrument connector showing our new design; FIG. 2 is a top rear perspective view thereof; FIG. 3 is a front end elevational view thereof; FIG. 4 is a rear end elevational view thereof; FIG. 5 is a side elevational view thereof taken from the left of FIG. 3; FIG. 6 is a side elevational view thereof taken from the right of FIG. 3; FIG. 7 is a top plan view thereof; FIG. 8 is a bottom plan view thereof; FIG. 9 is a top front perspective view of a second embodiment thereof; FIG. 10 is a top rear perspective view of a second embodiment thereof; FIG. 11 is a front end elevational view of a second embodiment thereof; FIG. 12 is a rear end elevational view of a second embodiment thereof; FIG. 13 is a side elevational view of a second embodiment thereof taken from the left of FIG. 11; FIG. 14 is a side elevational view of a second embodiment thereof taken from the right of FIG. 11; FIG. 15 is a top plan view of a second embodiment thereof; and, FIG. 16 is a bottom plan view of a second embodiment thereof.

1 Claim, 2 Drawing Sheets



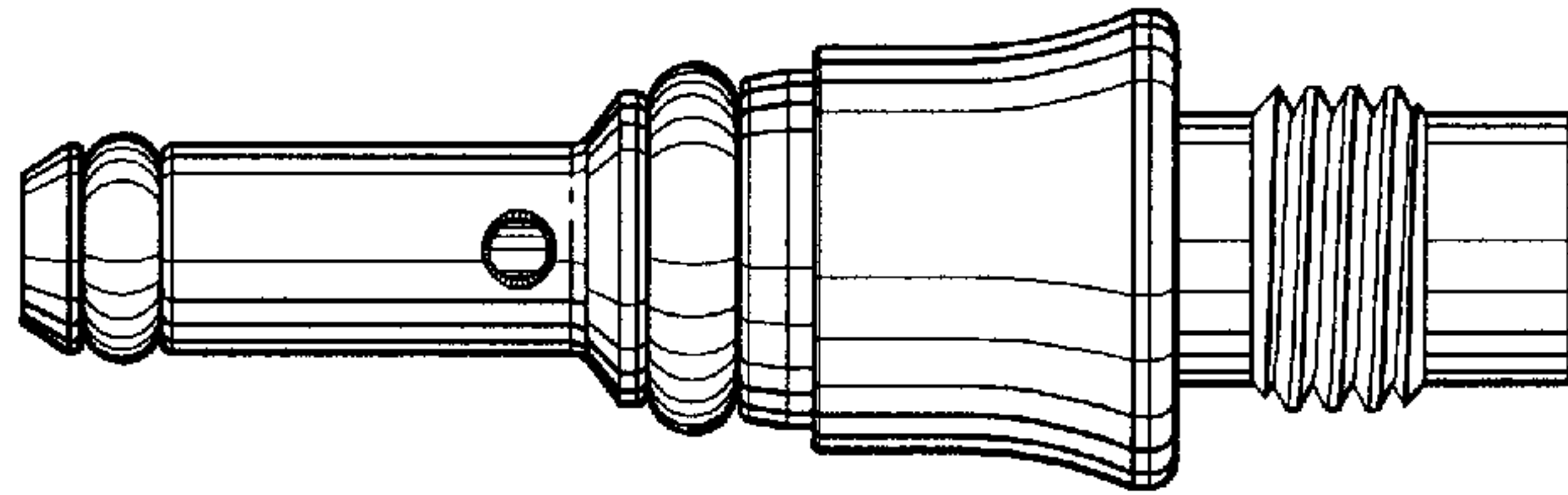
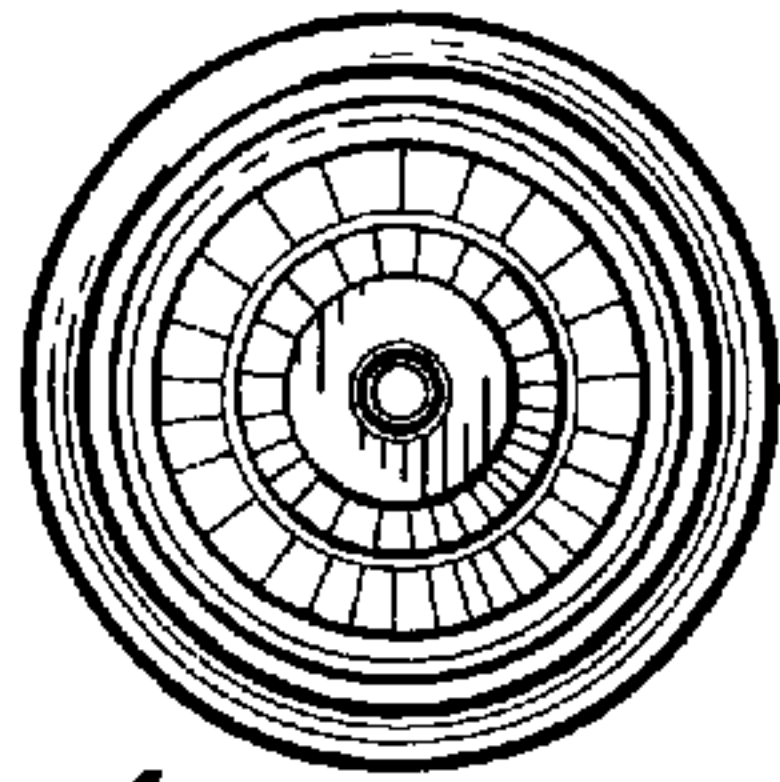
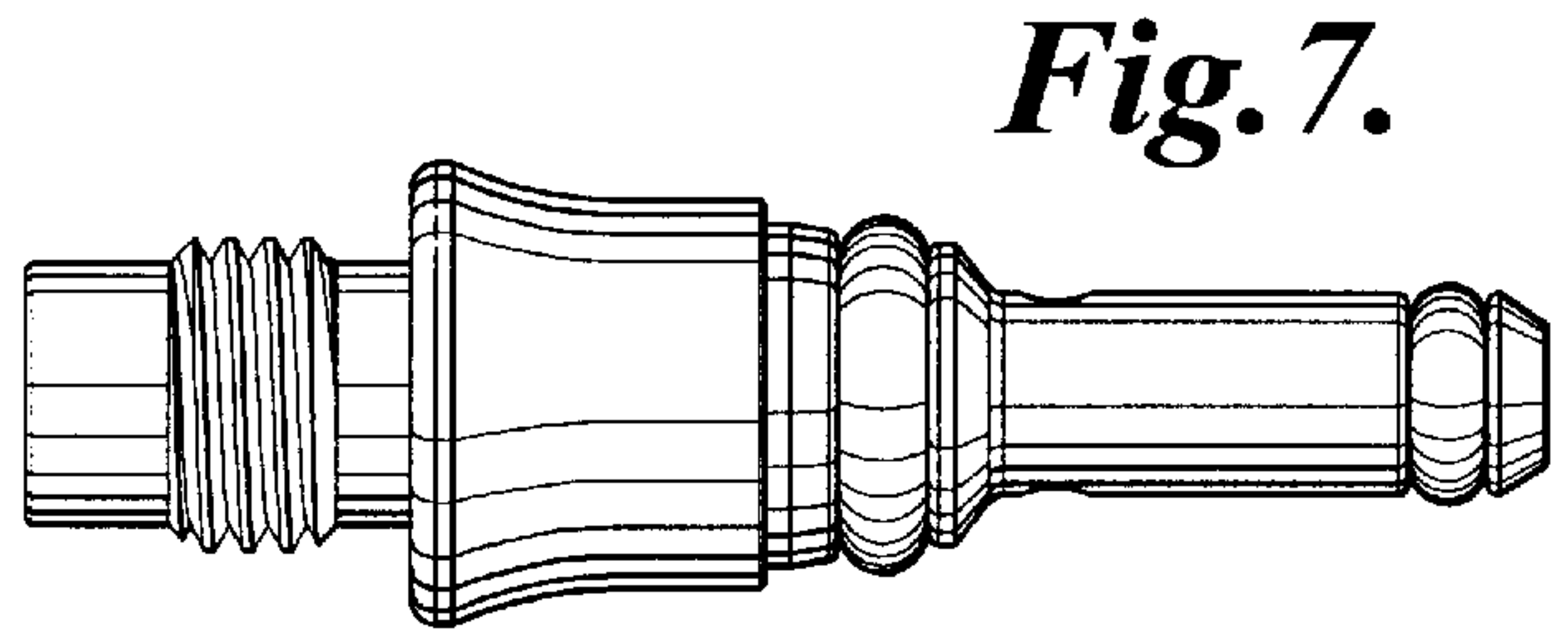
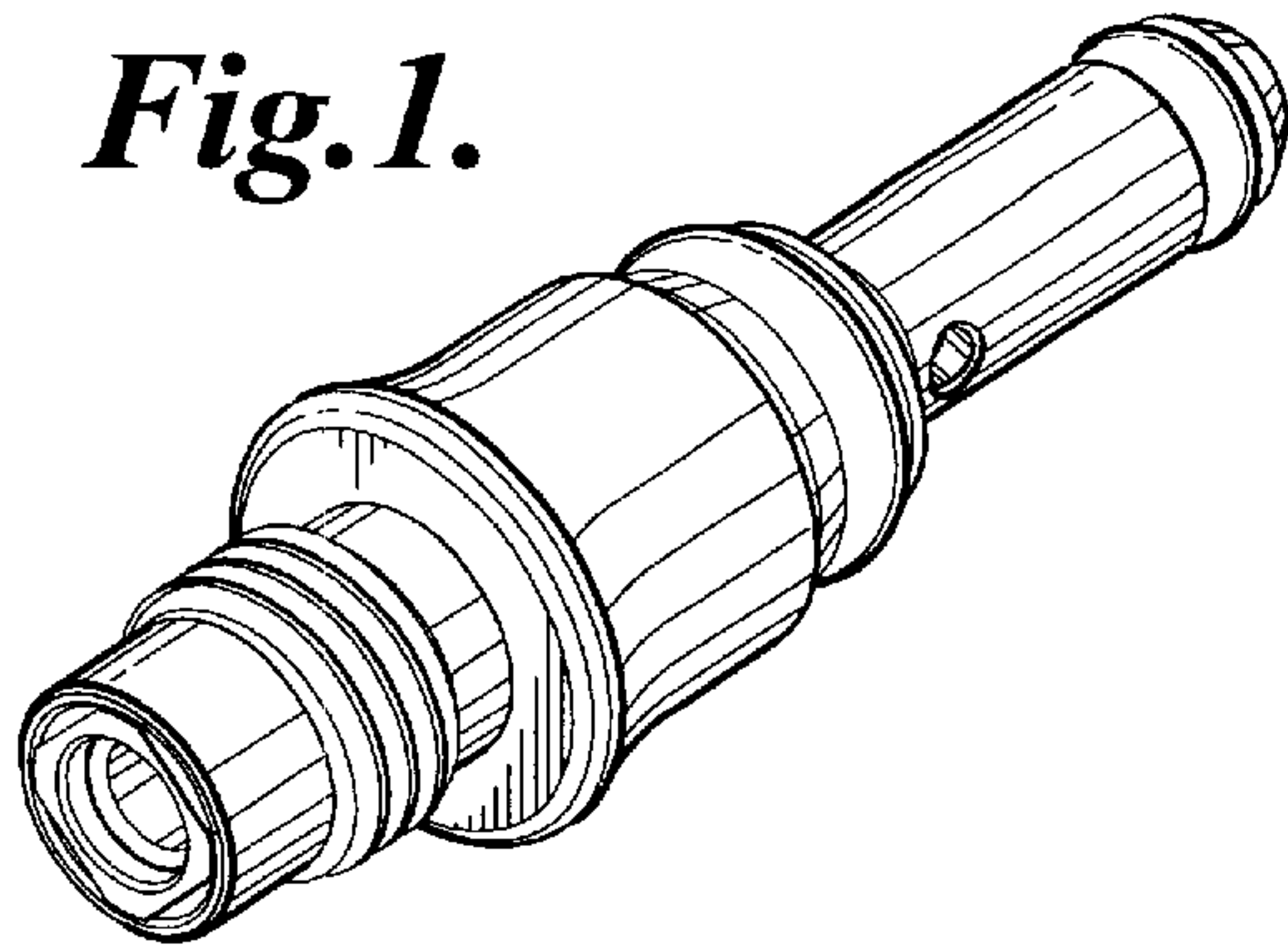


Fig.4.

Fig.5.

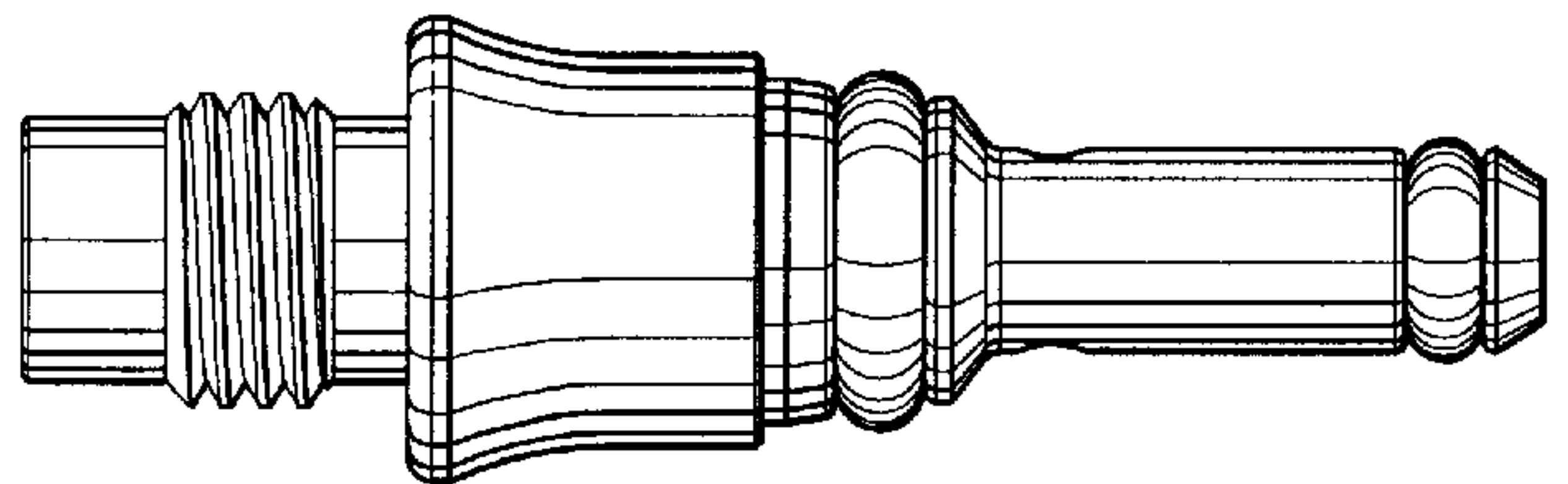
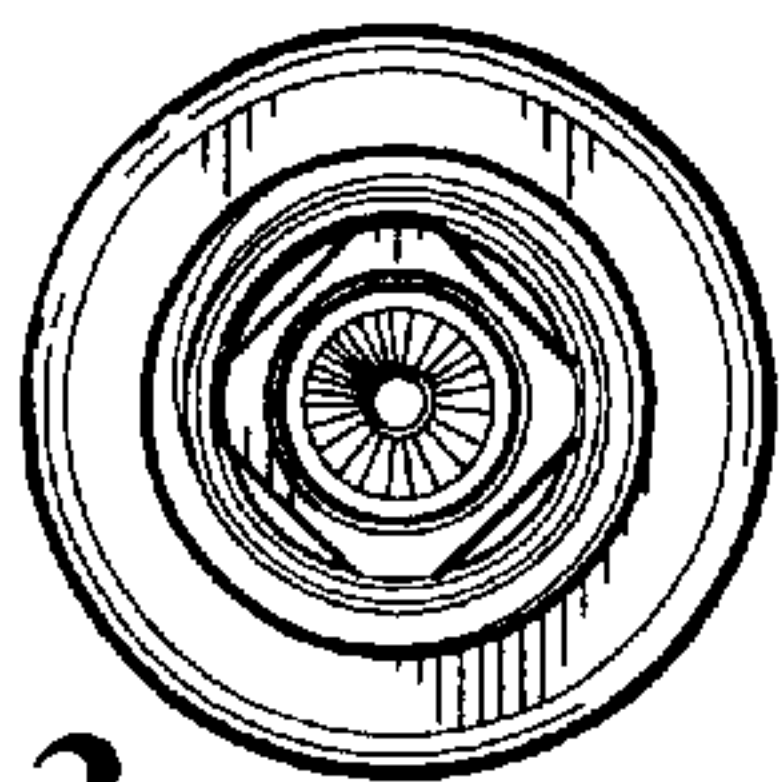


Fig.3.

Fig.8.

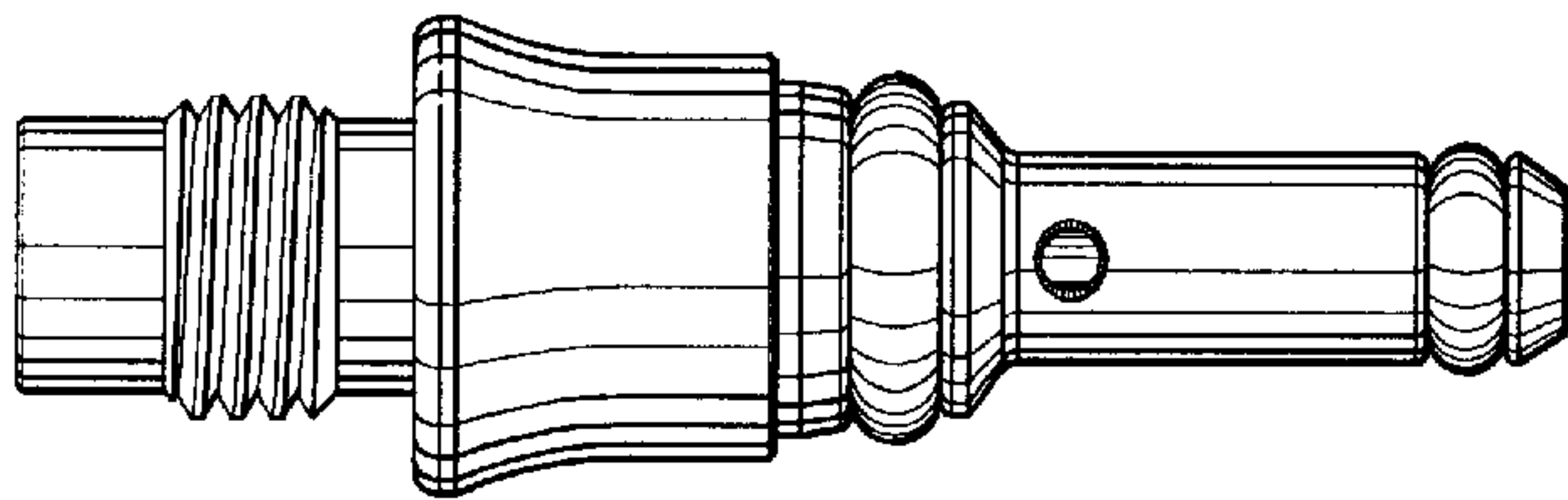


Fig.6.

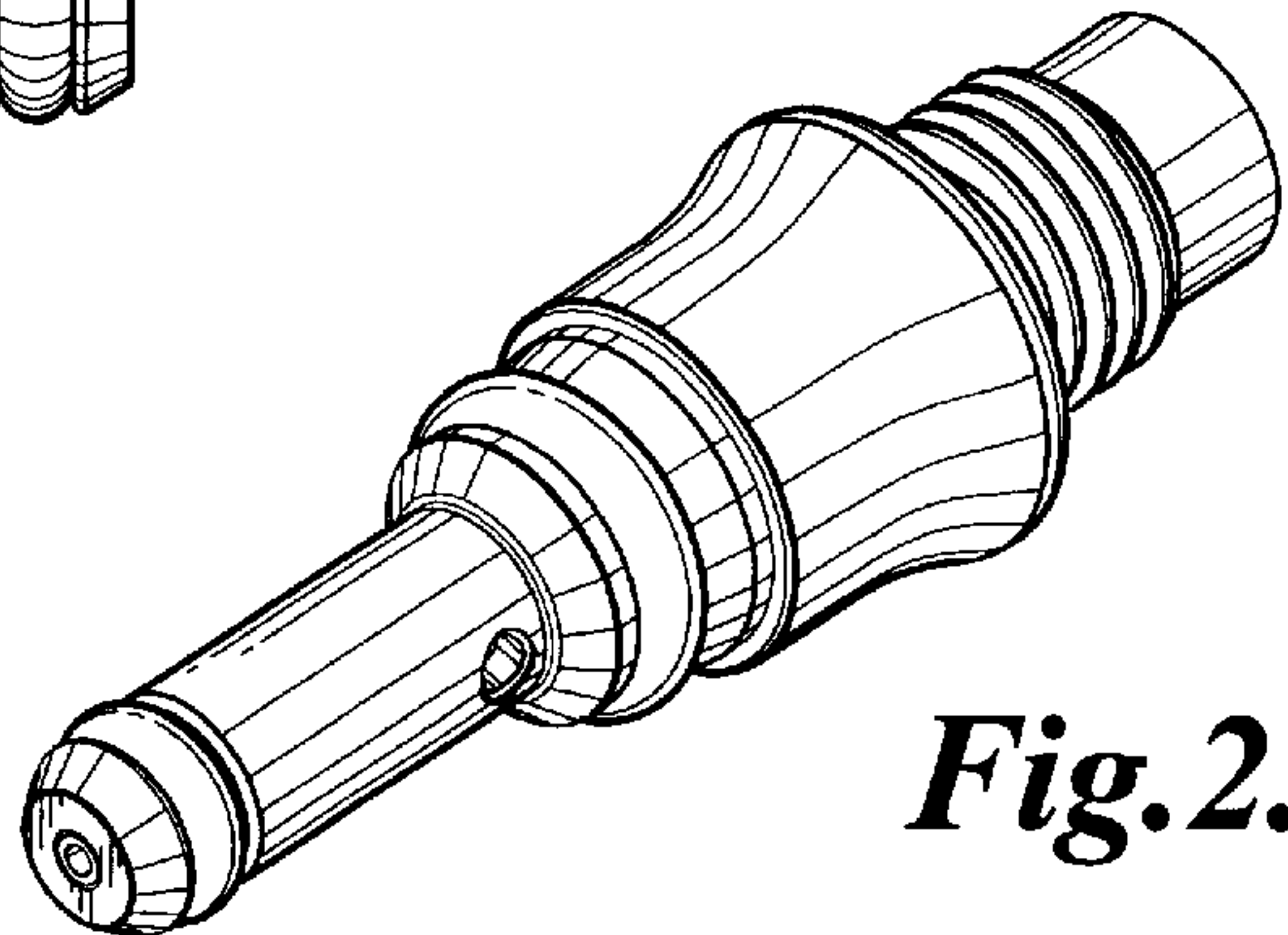


Fig.2.

Fig. 9.

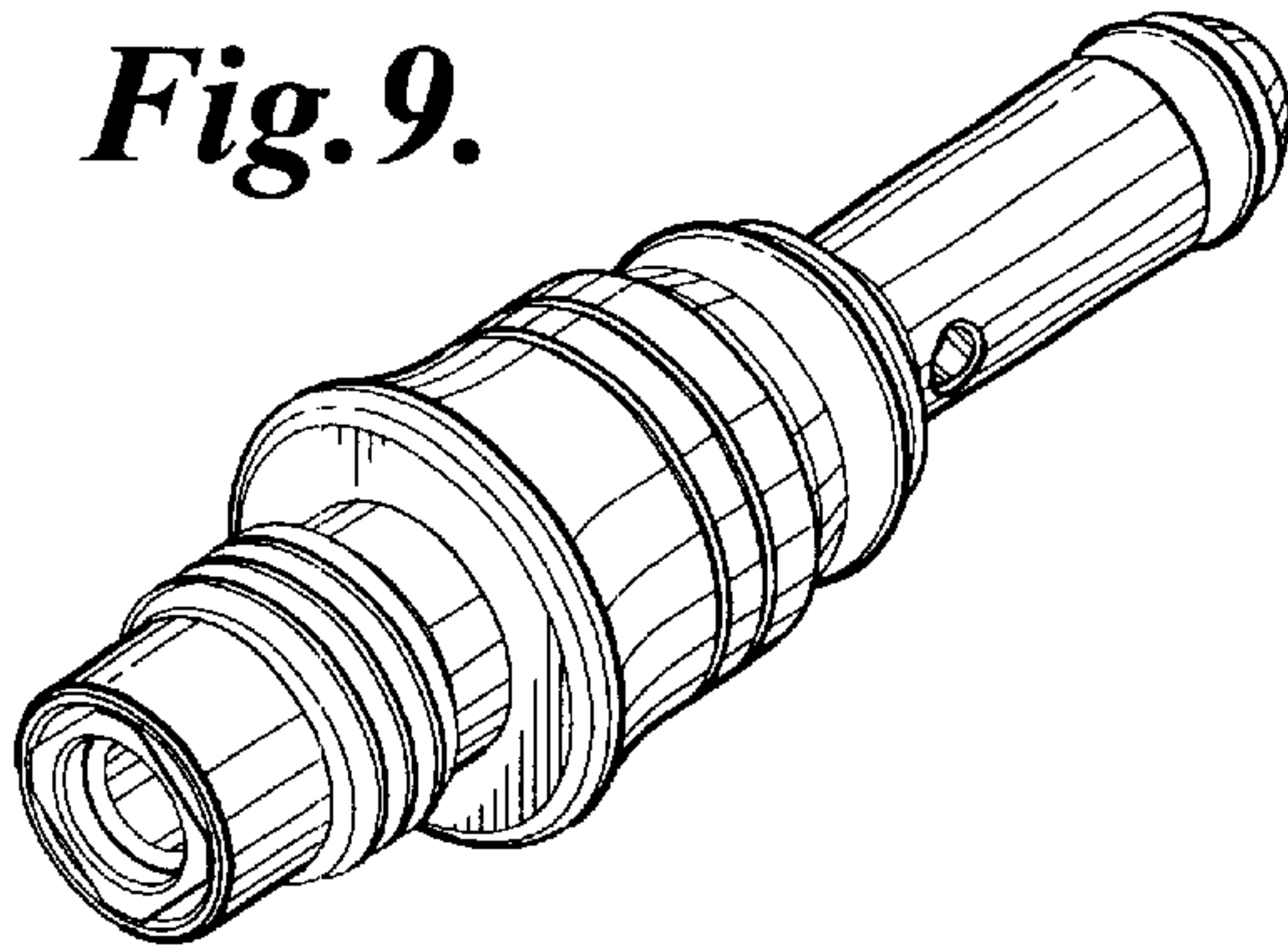


Fig. 15.

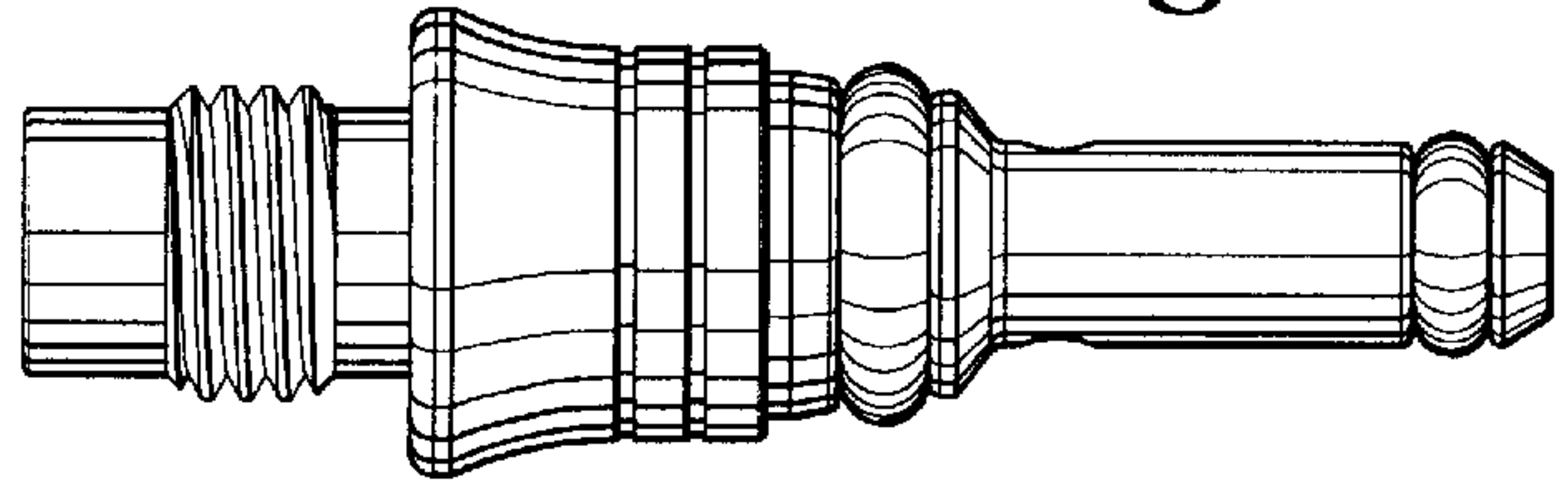


Fig. 12.

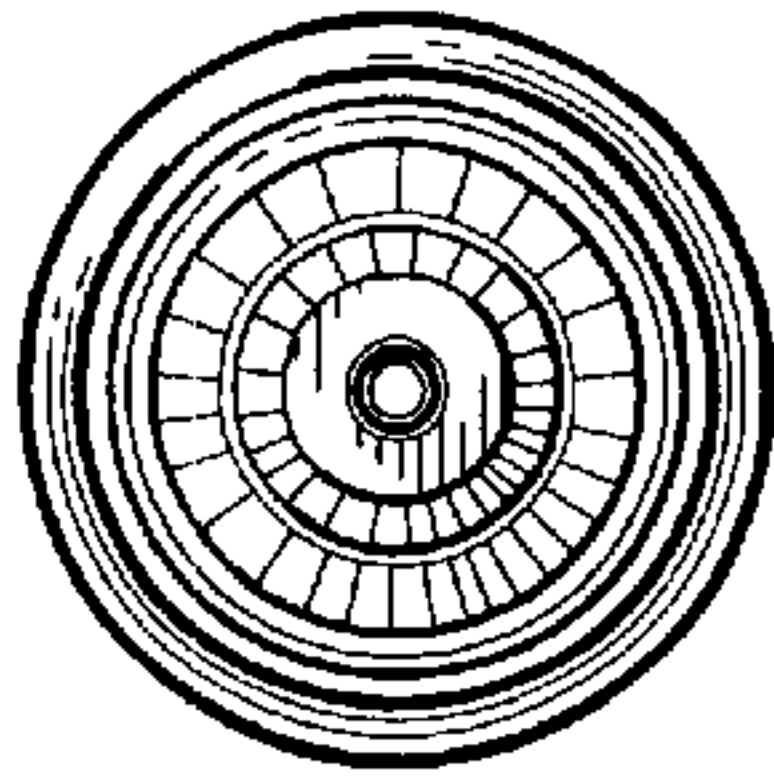


Fig. 13.

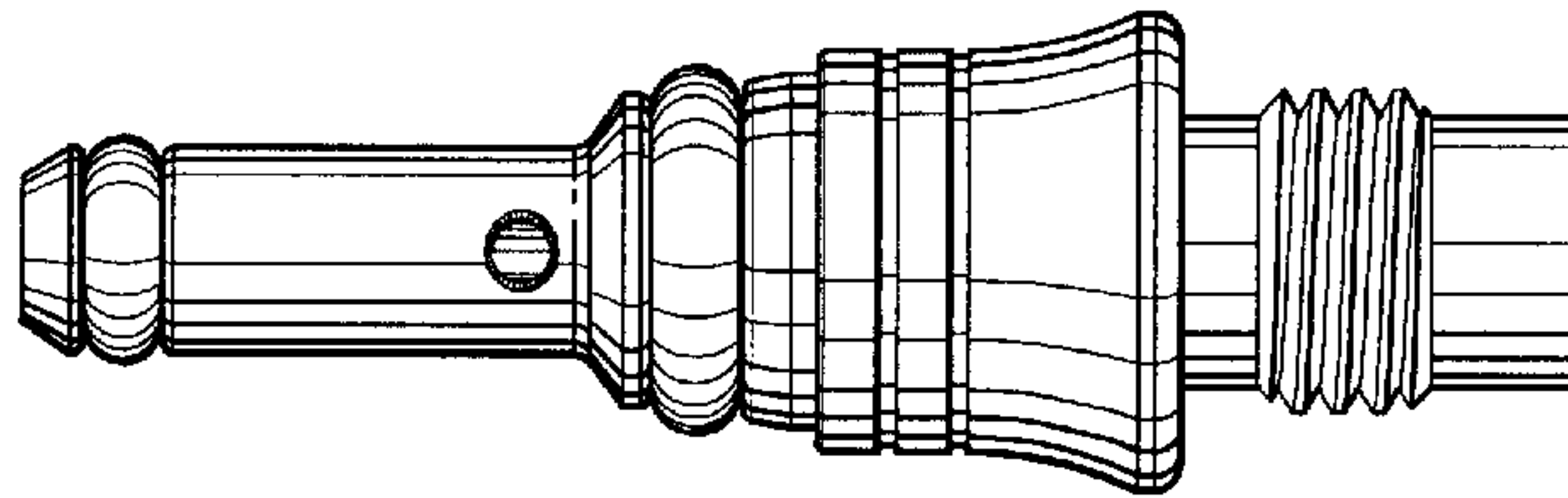


Fig. 11.

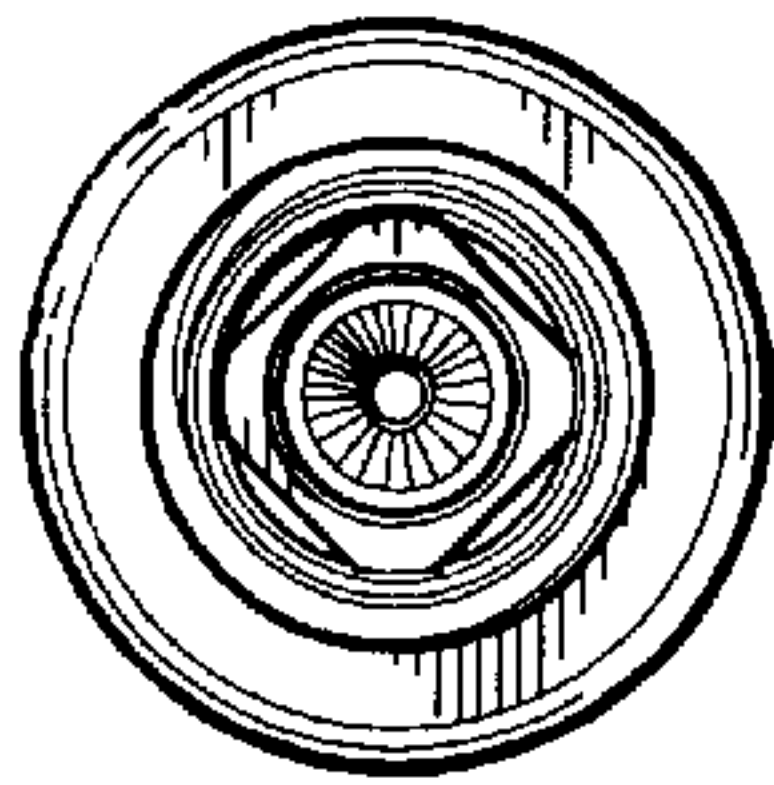


Fig. 16.

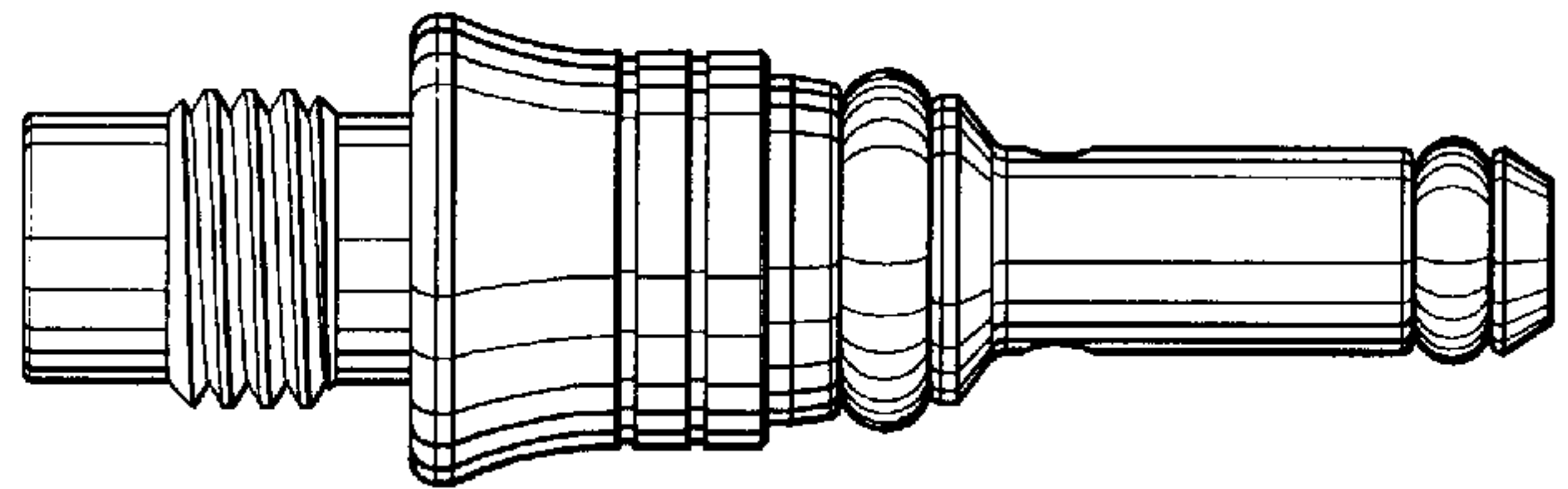


Fig. 14.

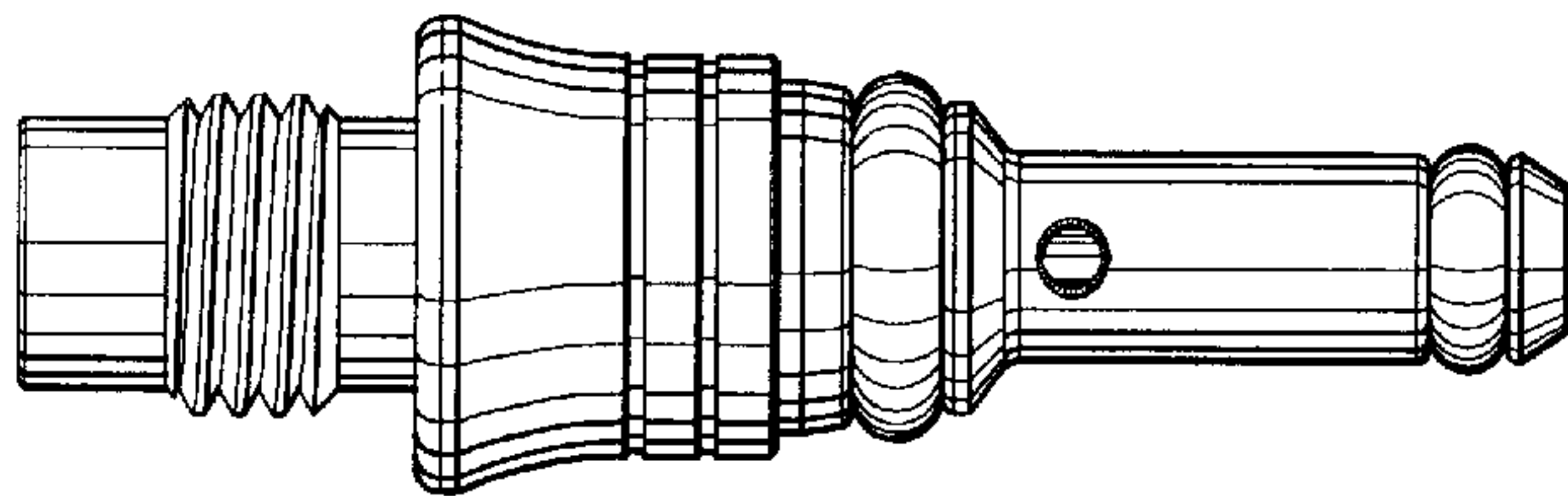


Fig. 10.

