



US00D473639S

(12) **United States Design Patent**
Gajewski

(10) **Patent No.:** **US D473,639 S**

(45) **Date of Patent:** **** Apr. 22, 2003**

(54) **COMBINATION CEILING FAN MOTOR HOUSING AND BLADES UNIT**

Primary Examiner—Lisa Lichtenstein
(74) *Attorney, Agent, or Firm*—Jenkins & Gilchrist, P.C.

(75) **Inventor:** **Mark Gajewski**, San Luis Obispo, CA (US)

(57) **CLAIM**

The ornamental design for the combination ceiling fan motor housing and blades unit, as shown and described.

(73) **Assignee:** **Minka Lighting, Inc.**, Corona, CA (US)

(**) **Term:** **14 Years**

DESCRIPTION

(21) **Appl. No.:** **29/160,476**

FIG. 1 is a bottom view of the combination ceiling fan motor housing and blades unit in accordance with my design;

(22) **Filed:** **May 10, 2002**

FIG. 2 is a rear elevation view thereof, the left and right side elevation views being identical to that shown;

(51) **LOC (7) Cl.** **23-04**

(52) **U.S. Cl.** **D23/411**

(58) **Field of Search** D23/377, 379, D23/385, 411; 416/5

FIG. 3 is a top plan view thereof; and,

FIG. 4 is a front elevation view thereof.

(56) **References Cited**

The blades are shown broken away to indicate indeterminate length.

U.S. PATENT DOCUMENTS

- D323,384 S * 1/1992 Mason D23/377
- D401,322 S * 11/1998 Liu D23/377
- D424,680 S * 5/2000 Wenzlick D23/377

The broken lines showing environmental structure in FIGS. 1-4 are for illustrative purposes and form no part of the claimed design.

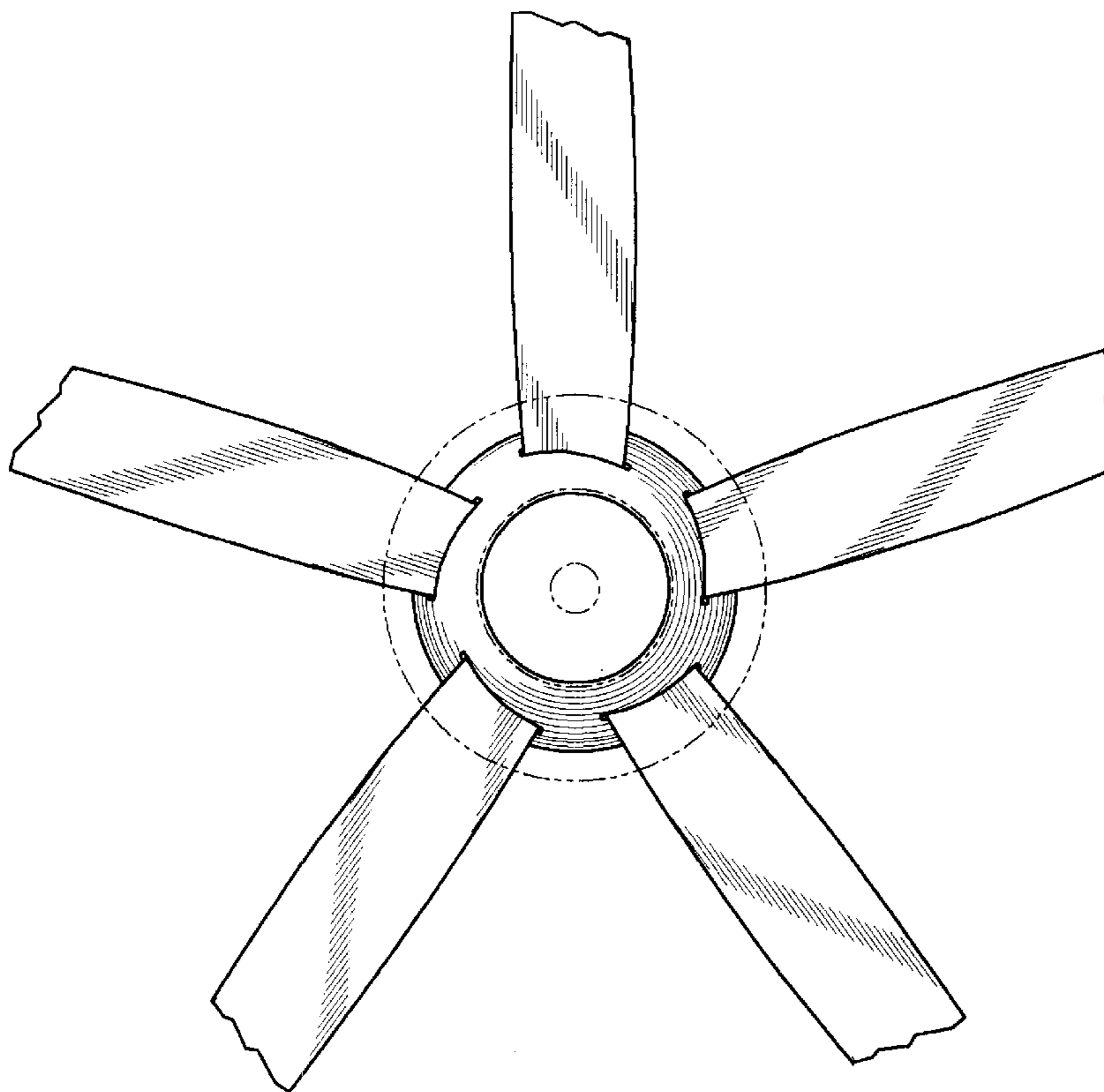
OTHER PUBLICATIONS

Minka Lighting, Inc.; MinkaAire Two Thousand Two; Apr. 22, 2002; pp. 4, 5; Minka Lighting, Inc.; U.S.A.

The front of the claimed design is identical to the rear except for the position of the blades.

* cited by examiner

1 Claim, 2 Drawing Sheets



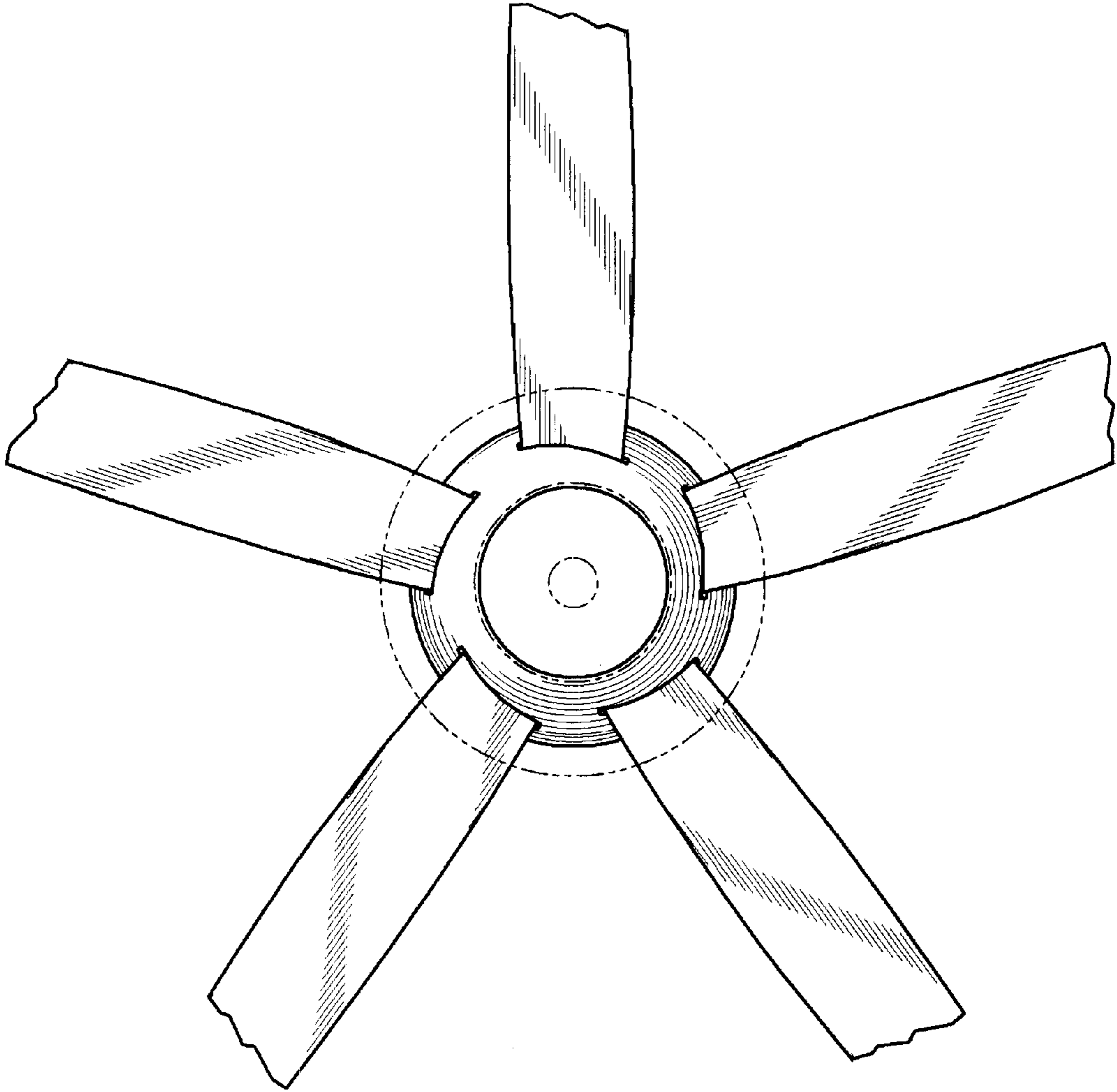


Fig.1

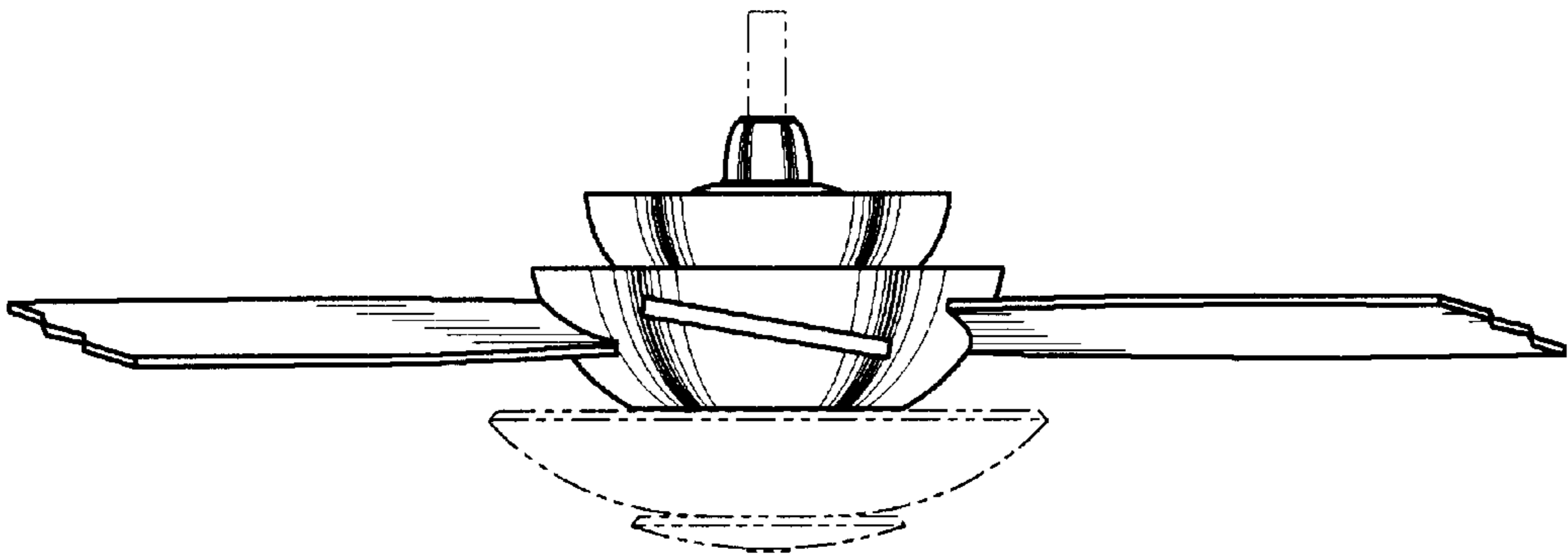


Fig.2

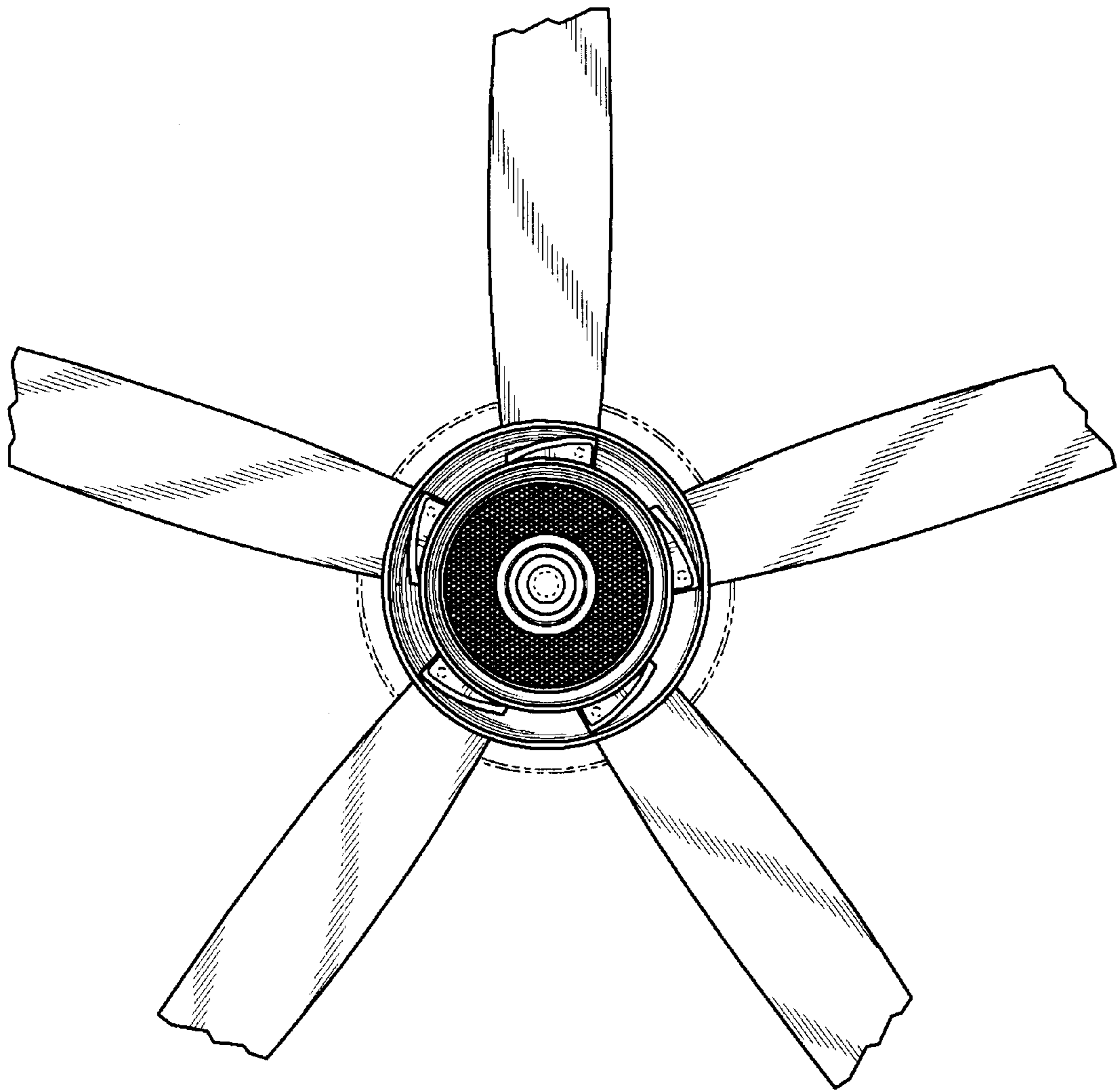


Fig.3

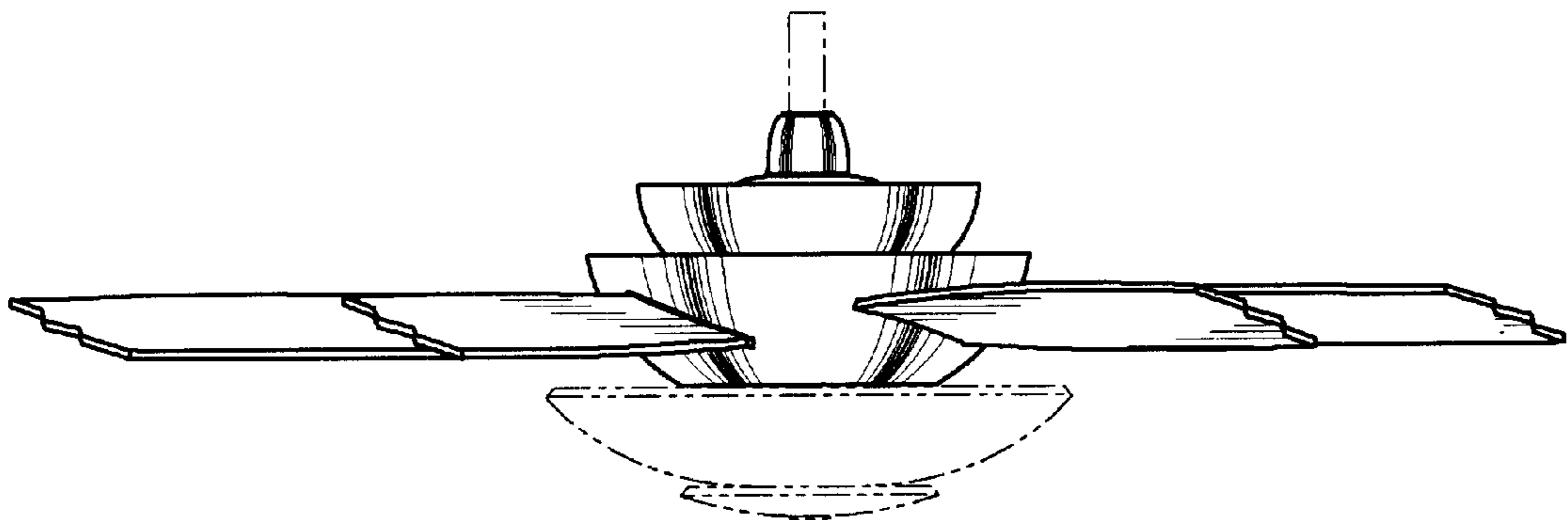


Fig.4