



US00D473638S

(12) **United States Design Patent**  
**Cruver, IV**

(10) **Patent No.:** **US D473,638 S**

(45) **Date of Patent:** **\*\* Apr. 22, 2003**

(54) **VOLATILE ACTIVES DISPENSER**

*Primary Examiner*—Lisa Lichtenstein

(75) **Inventor:** **Curtis Leroy Cruver, IV**, Elmhurst, IL (US)

(57) **CLAIM**

The ornamental design for a volatile actives dispenser, as shown and described.

(73) **Assignee:** **S. C. Johnson & Son, Inc.**, Racine, WI (US)

**DESCRIPTION**

(\*\*) **Term:** **14 Years**

FIG. 1 is a front perspective view from above and to one side of the volatile dispenser showing my new design.

(21) **Appl. No.:** **29/152,100**

FIG. 2 is a front view of the volatile actives dispenser of FIG. 1;

(22) **Filed:** **Dec. 14, 2001**

FIG. 3 is a back view of the volatile actives dispenser of FIG. 1;

(51) **LOC (7) Cl.** ..... **23-04**

(52) **U.S. Cl.** ..... **D23/366**

FIG. 4 is a right side view of the volatile actives dispenser of FIG. 1;

(58) **Field of Search** ..... D23/366-369, D23/356-363; 392/390, 392; 239/135, 136, 58; 261/DIG. 17, DIG. 65

FIG. 5 is a left side view of the volatile actives dispenser of FIG. 1;

(56) **References Cited**

**U.S. PATENT DOCUMENTS**

D346,207 S	*	4/1994	Martin	.....	D23/366
D433,521 S	*	11/2000	Jaworski	.....	D23/366
D441,468 S	*	5/2001	Bing	.....	D23/366

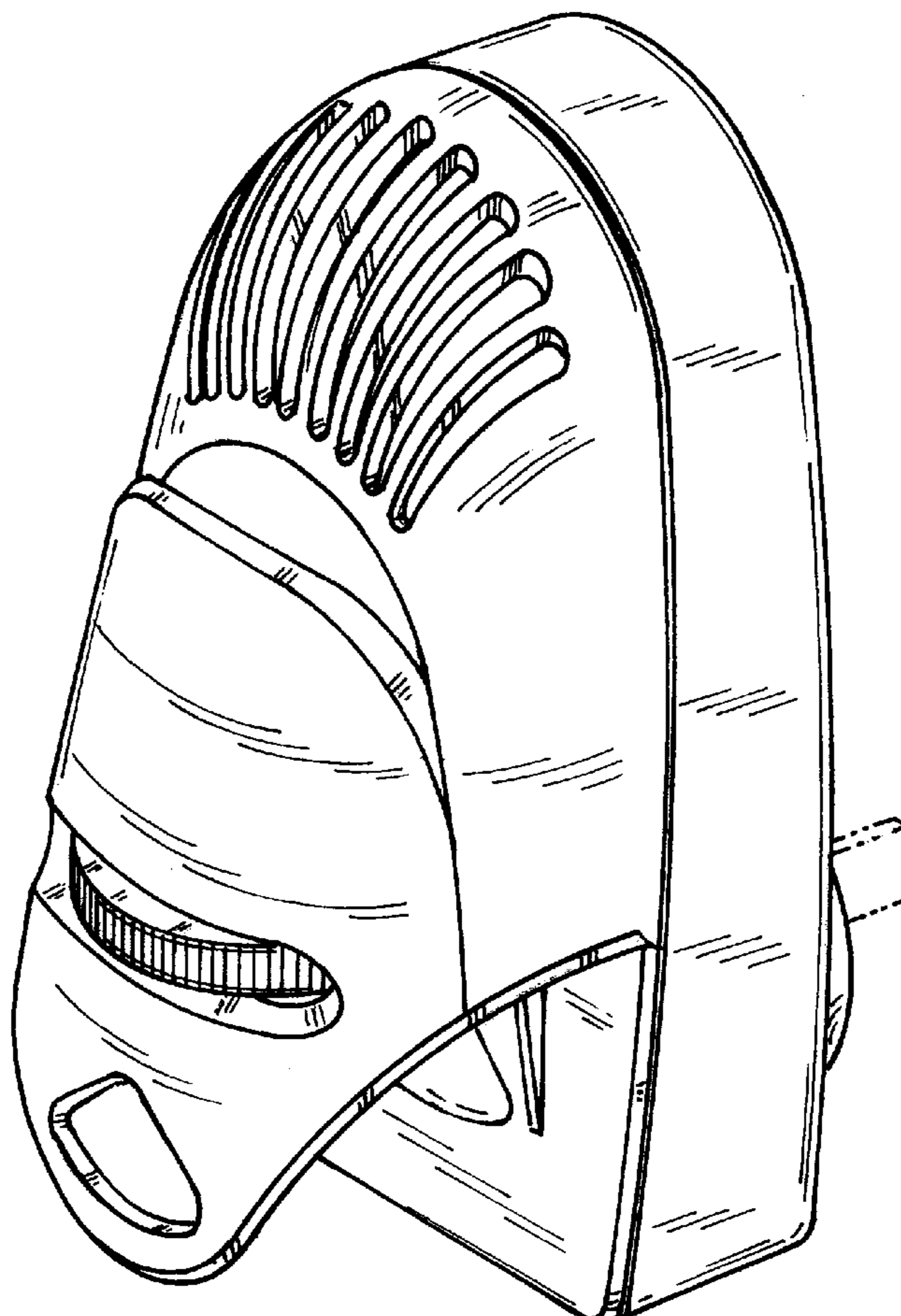
FIG. 6 is a top plan view of the volatile actives dispenser of FIG. 1; and,

FIG. 7 is a bottom plan view of the volatile actives dispenser of FIG. 7.

The broken line showing of environmental structures in FIGS. 1-7 is for illustrative purposes only and forms no part of the claimed design.

\* cited by examiner

**1 Claim, 4 Drawing Sheets**



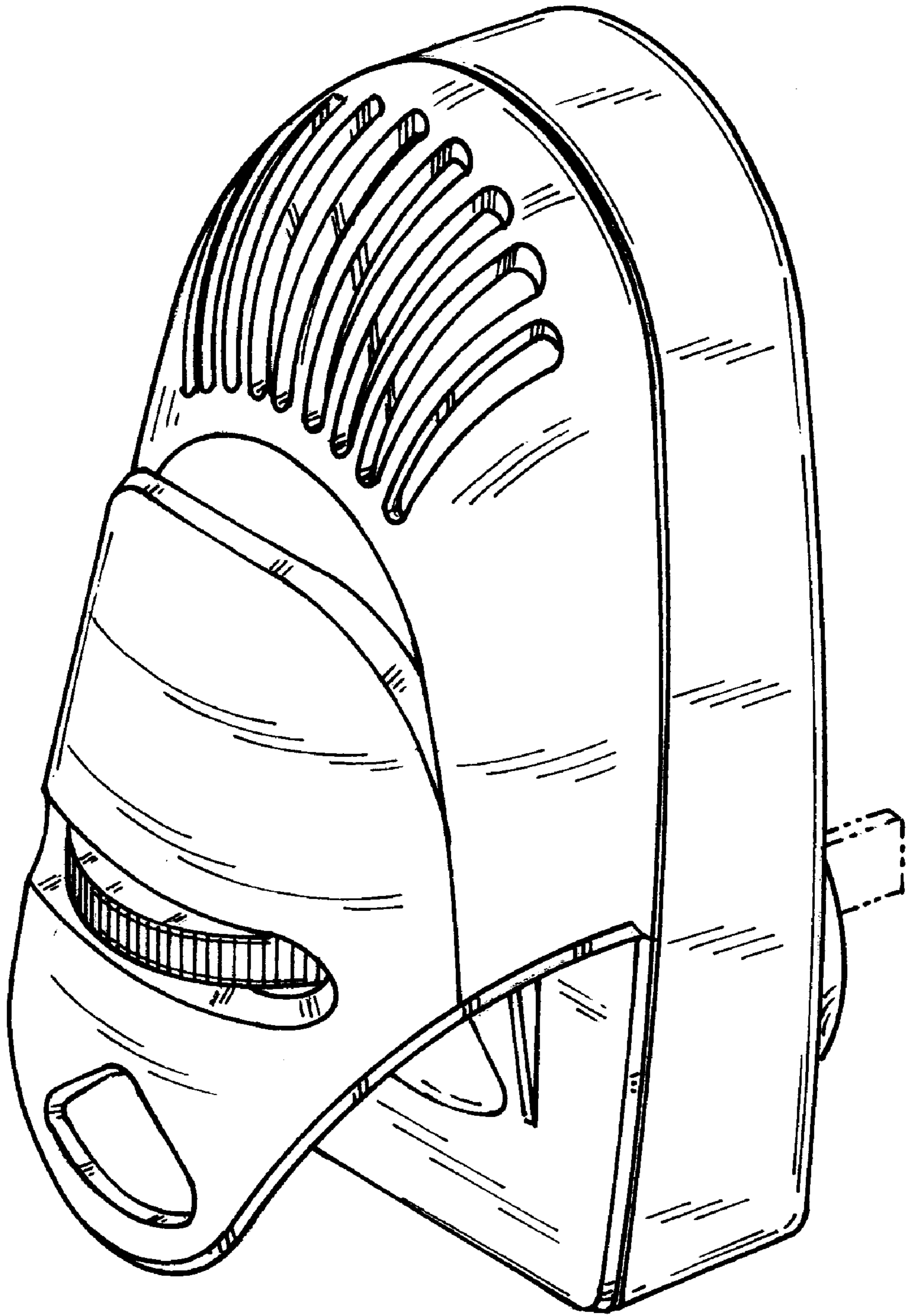


FIG. 1

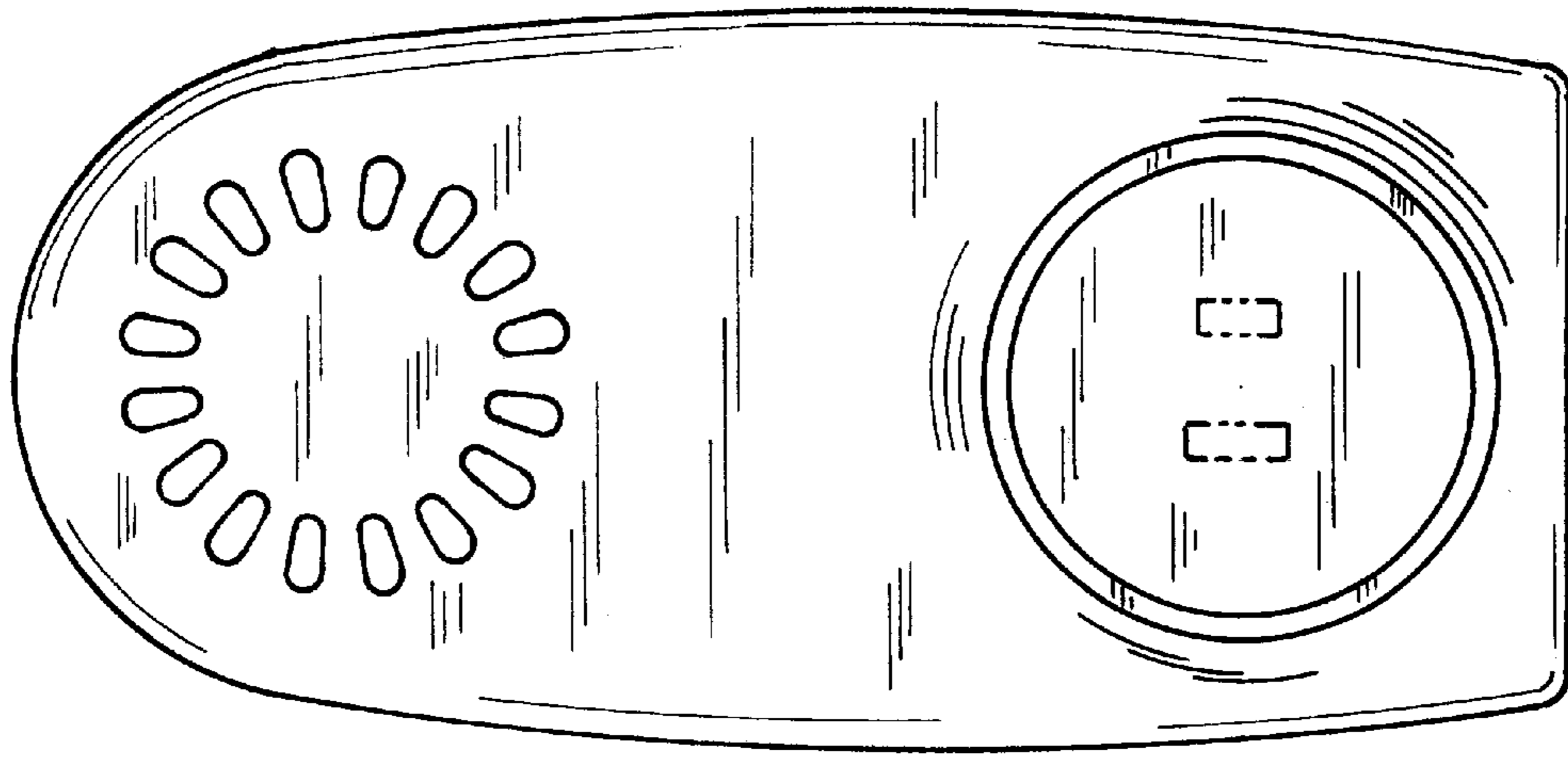


FIG. 2

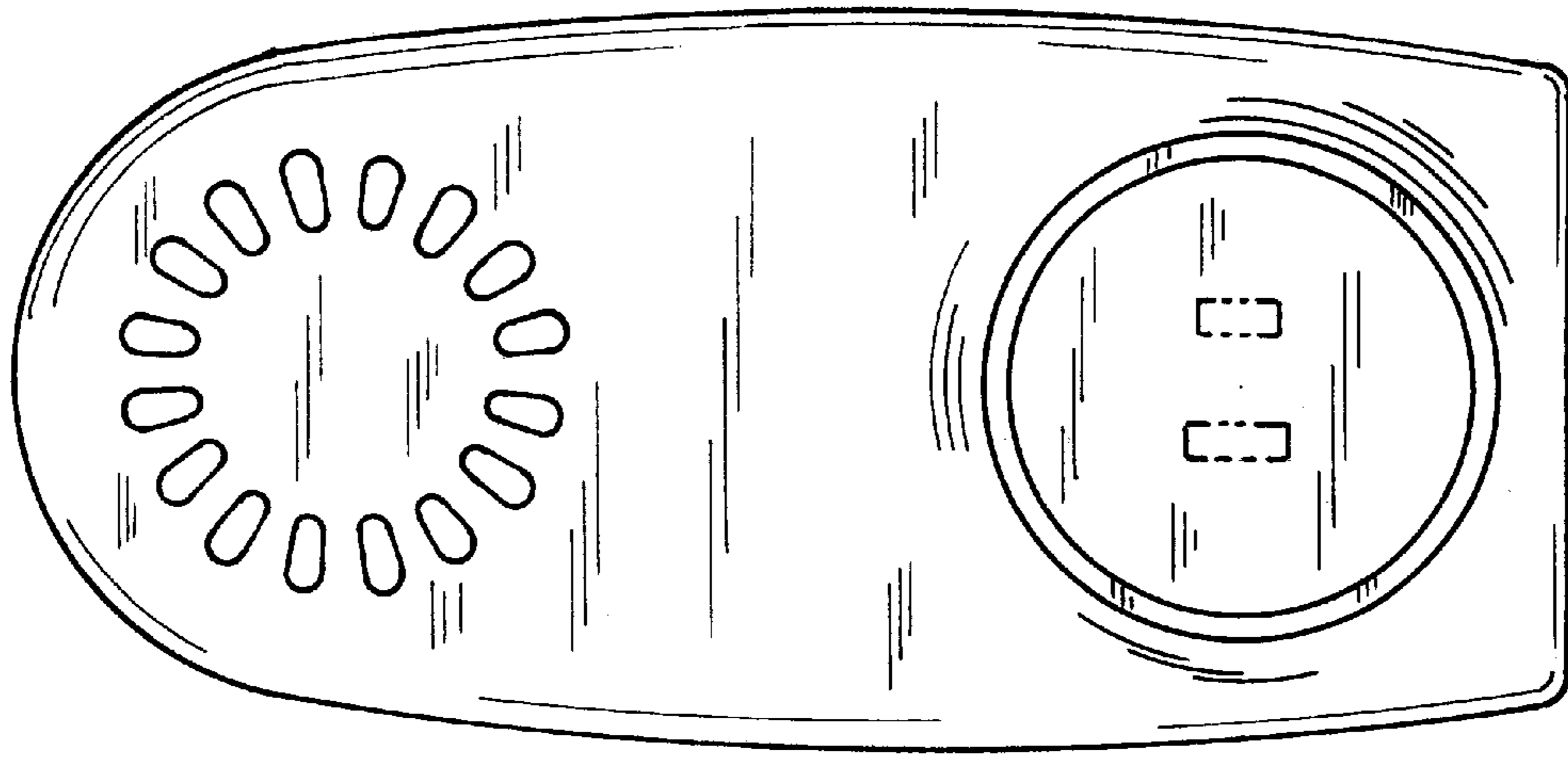


FIG. 3

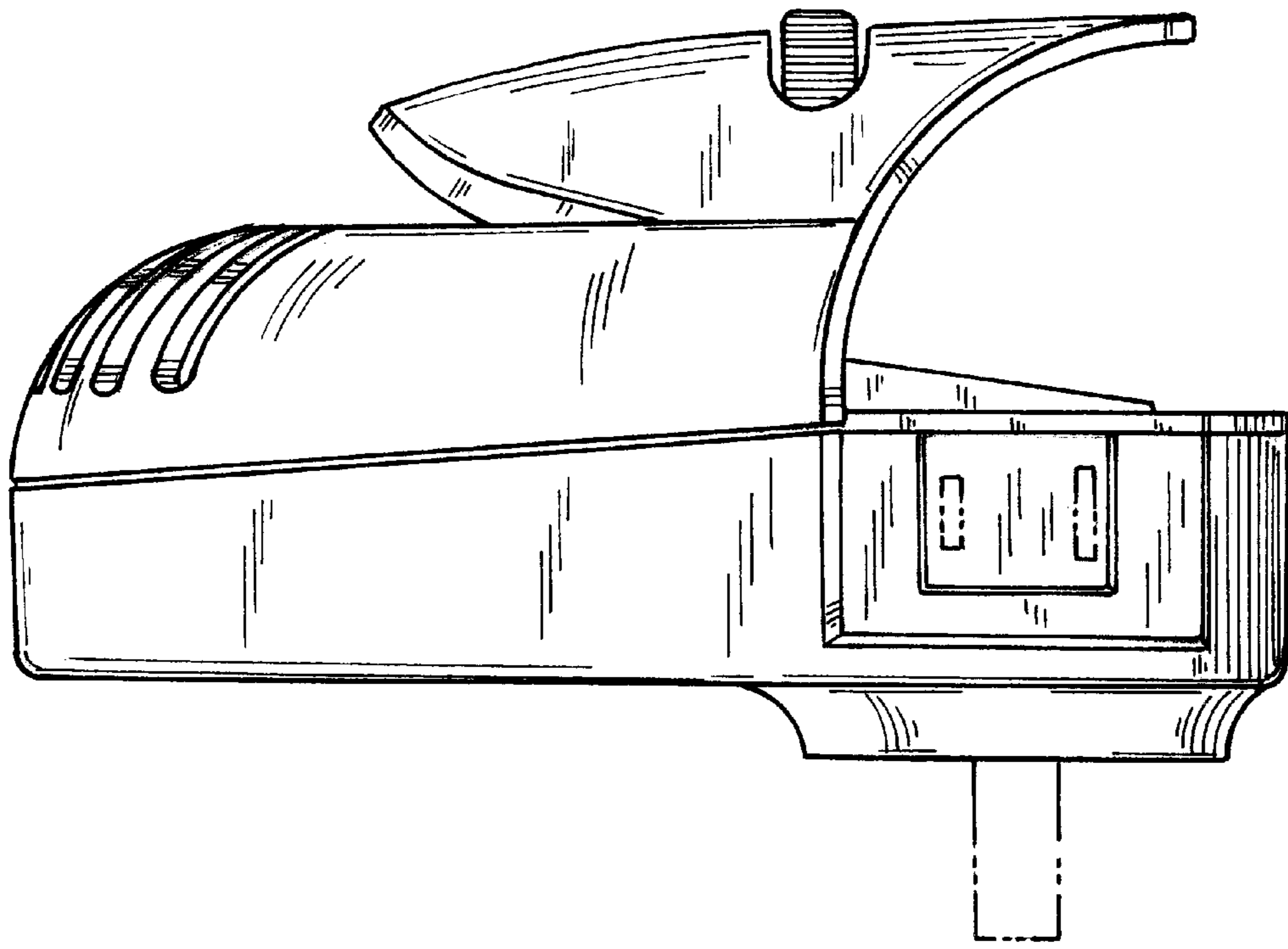


FIG. 5

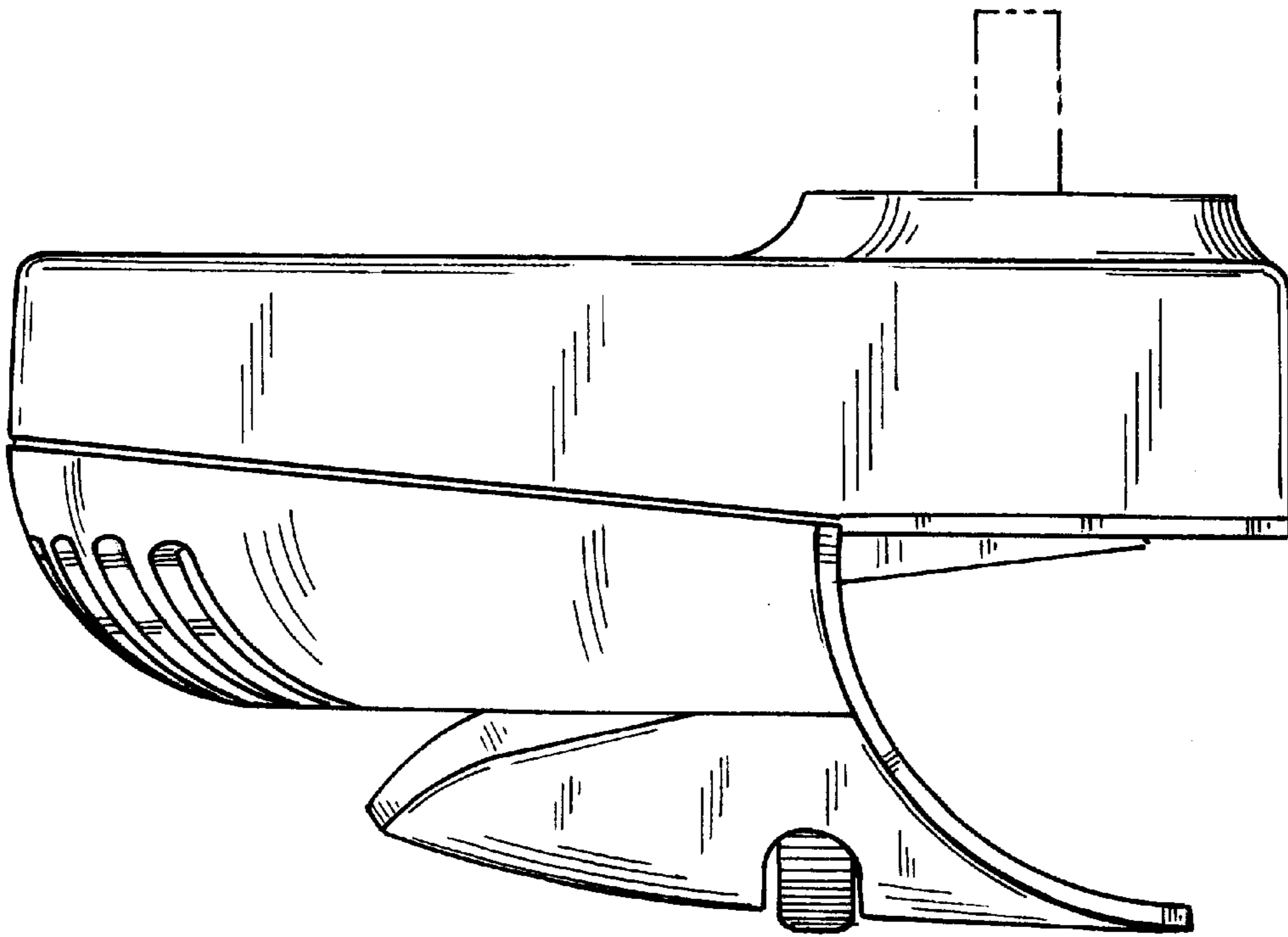


FIG. 4

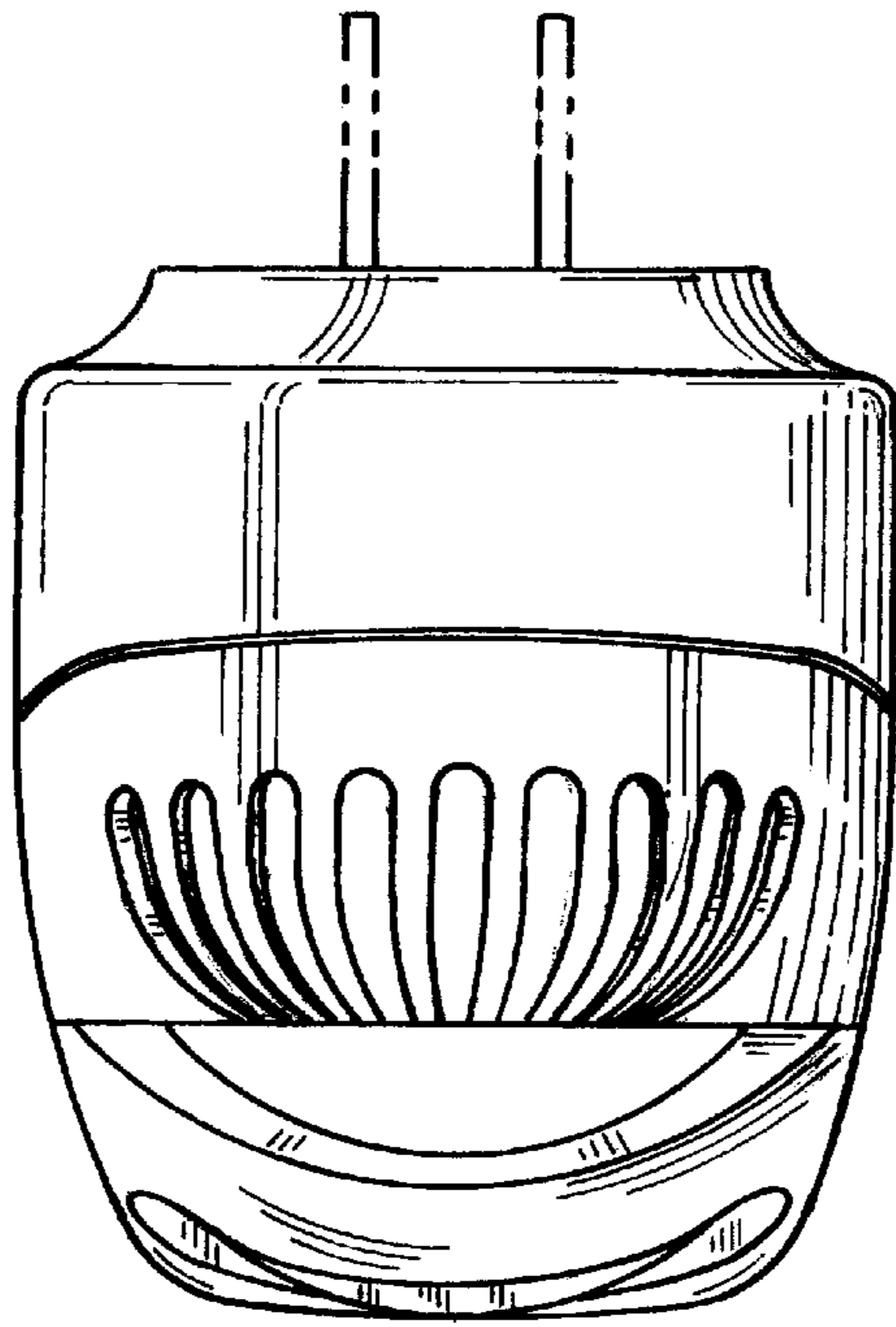


FIG. 6

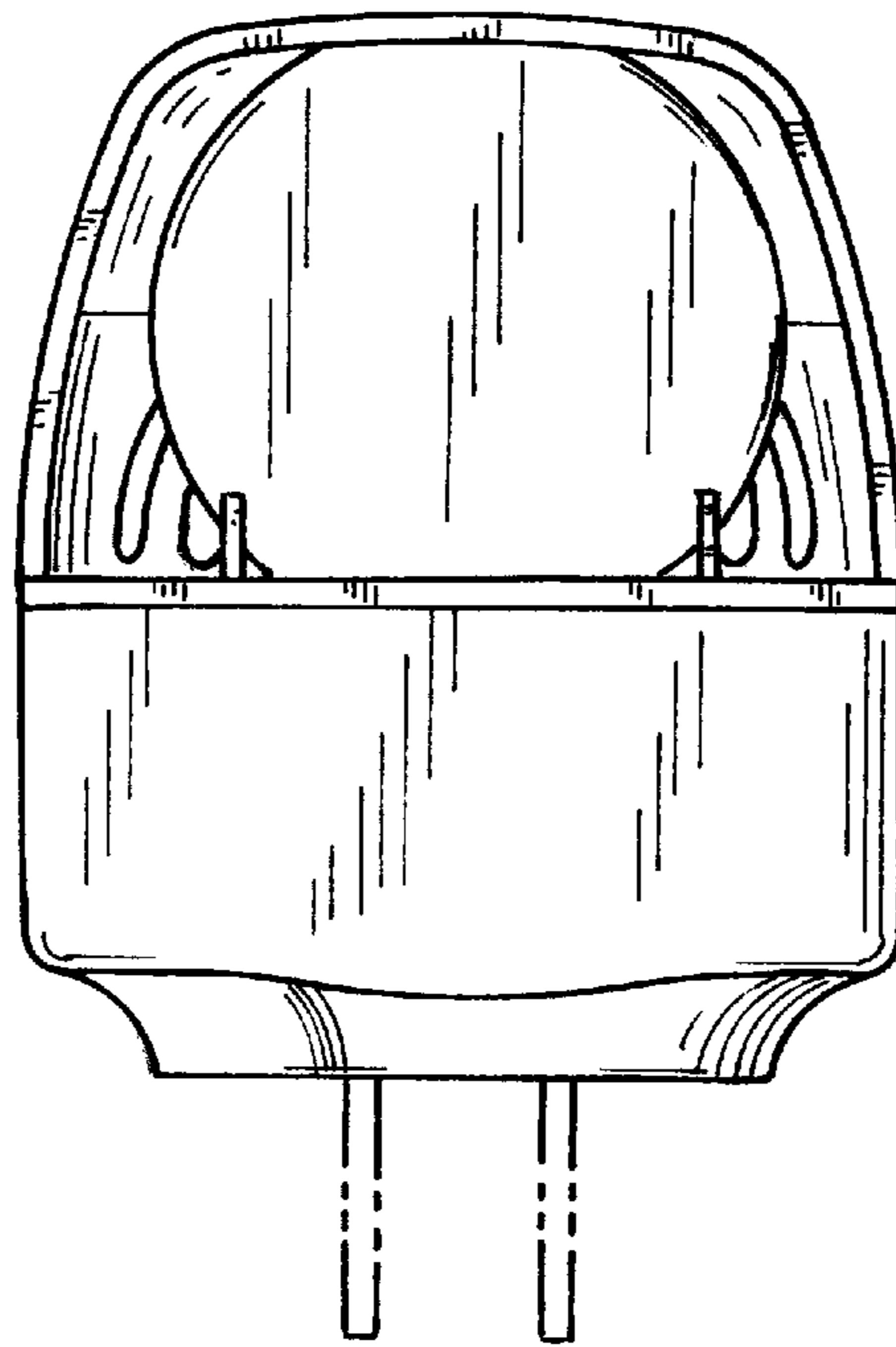


FIG. 7

UNITED STATES PATENT AND TRADEMARK OFFICE  
**CERTIFICATE OF CORRECTION**

PATENT NO. : Des. 473,638 S  
DATED : April 22, 2003  
INVENTOR(S) : Curtis Leroy Cruver, IV

Page 1 of 1

It is certified that error appears in the above-identified patent and that said Letters Patent is hereby corrected as shown below:

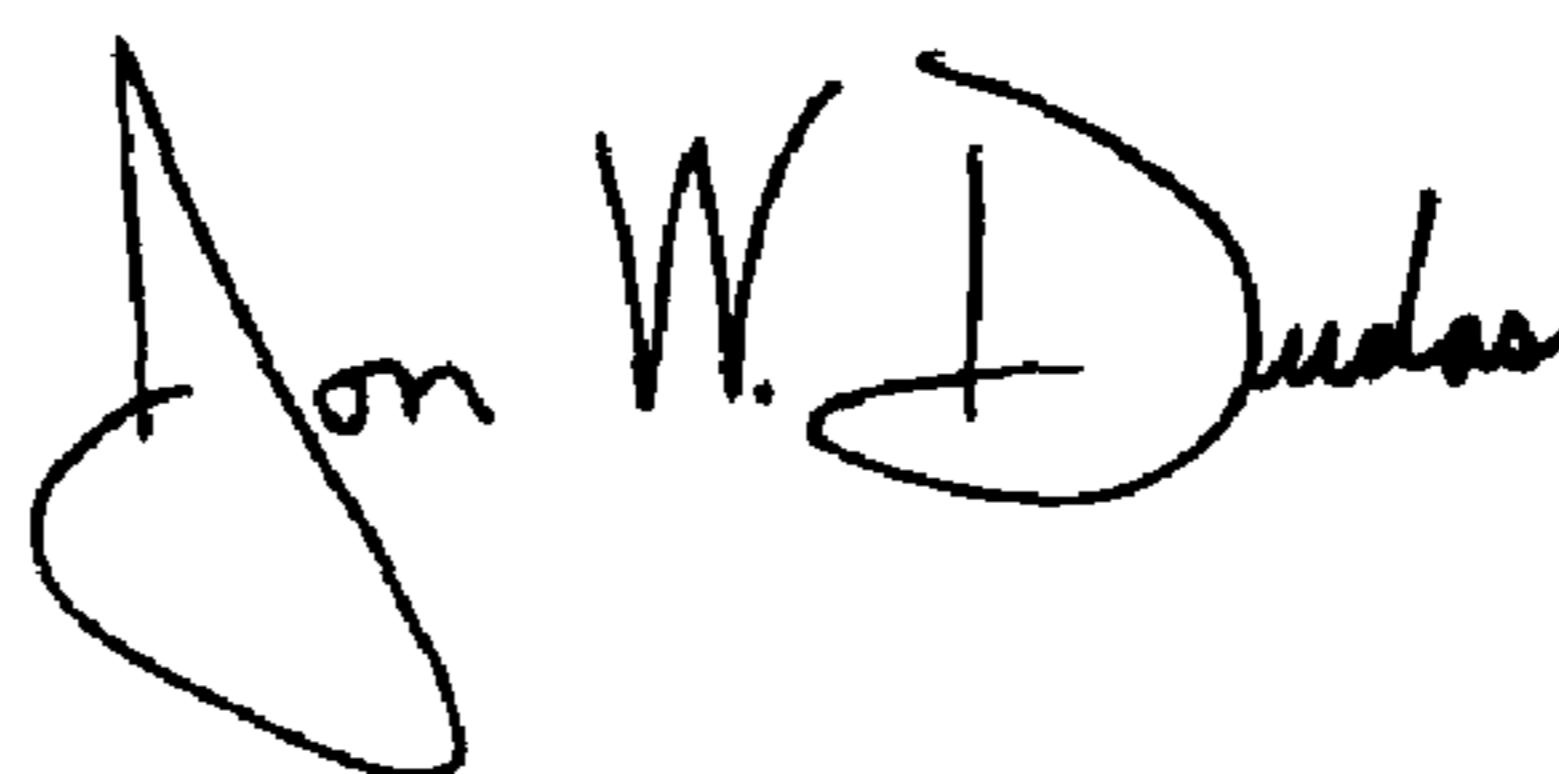
Title page,  
**DESCRIPTION,**

Fig. 1, add the missing word -- actives -- as follows:

... to one side of the volatile actives dispenser showing ... --

Signed and Sealed this

Eighth Day of June, 2004



---

JON W. DUDAS

*Acting Director of the United States Patent and Trademark Office*