



US00D473636S

(12) **United States Design Patent**
Barry

(10) **Patent No.:** **US D473,636 S**

(45) **Date of Patent:** **** Apr. 22, 2003**

(54) **DEVICE FOR POTTY TRAINING TODDLERS**

(75) **Inventor:** **William H. Barry**, Fairview, PA (US)

(73) **Assignee:** **Totco Inc.**, Cambridge Springs, PA (US)

(**) **Term:** **14 Years**

(21) **Appl. No.:** **29/148,717**

(22) **Filed:** **Sep. 25, 2001**

(51) **LOC (7) Cl.** **23-02**

(52) **U.S. Cl.** **D23/296**

(58) **Field of Search** D23/270-272,
D23/295-301, 303, 309-313; 4/663, 667,
300, 300.3, 313, 420.2, 420.3, 443, 446,
217, 234, 237-239, 901-902, DIG. 15,
216, 332

(56) **References Cited**

U.S. PATENT DOCUMENTS

D97,874 S * 12/1935 Tjaarda D23/301
3,932,901 A * 1/1976 Inui et al. 4/332

3,995,327 A * 12/1976 Hendrick 4/300 X
5,005,222 A * 4/1991 Sim 4/216
D392,075 S * 3/1998 Holt D23/301 X
D420,110 S * 2/2000 Vogel D23/296

* cited by examiner

Primary Examiner—Louis S. Zarfaz
Assistant Examiner—Robert A. Delehanty
(74) *Attorney, Agent, or Firm*—R K Thomson

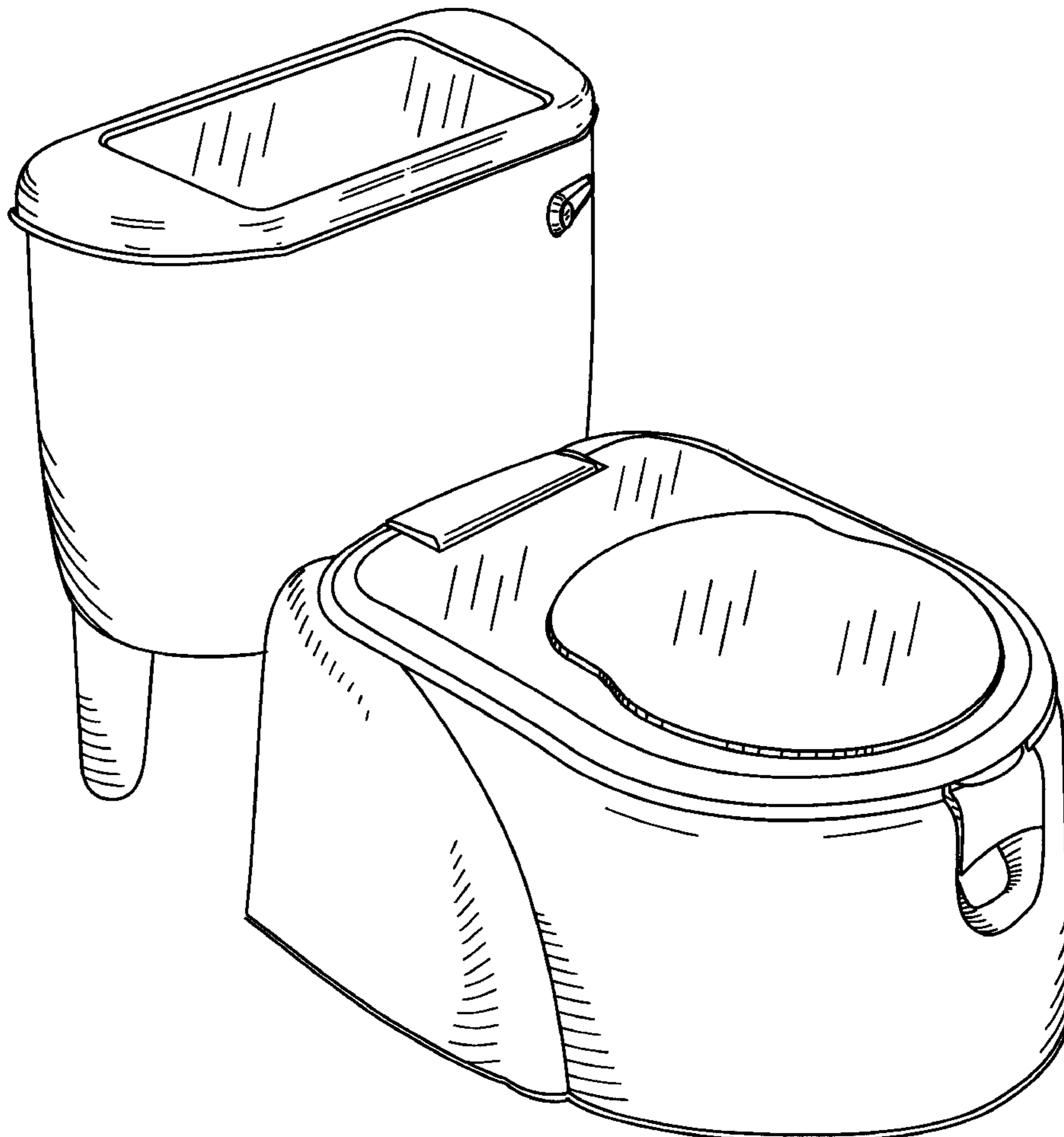
(57) **CLAIM**

The ornamental design of a device for potty training toddlers, substantially as shown in the drawings.

DESCRIPTION

FIG. 1 is a perspective view of a device for potty training toddlers showing my new design;
FIG. 2 is a side elevation view thereof, the opposite side being a mirror image thereof;
FIG. 3 is a top plan view thereof;
FIG. 4 is a front elevation view thereof; and,
FIG. 5 is a rear elevation view thereof.

1 Claim, 5 Drawing Sheets



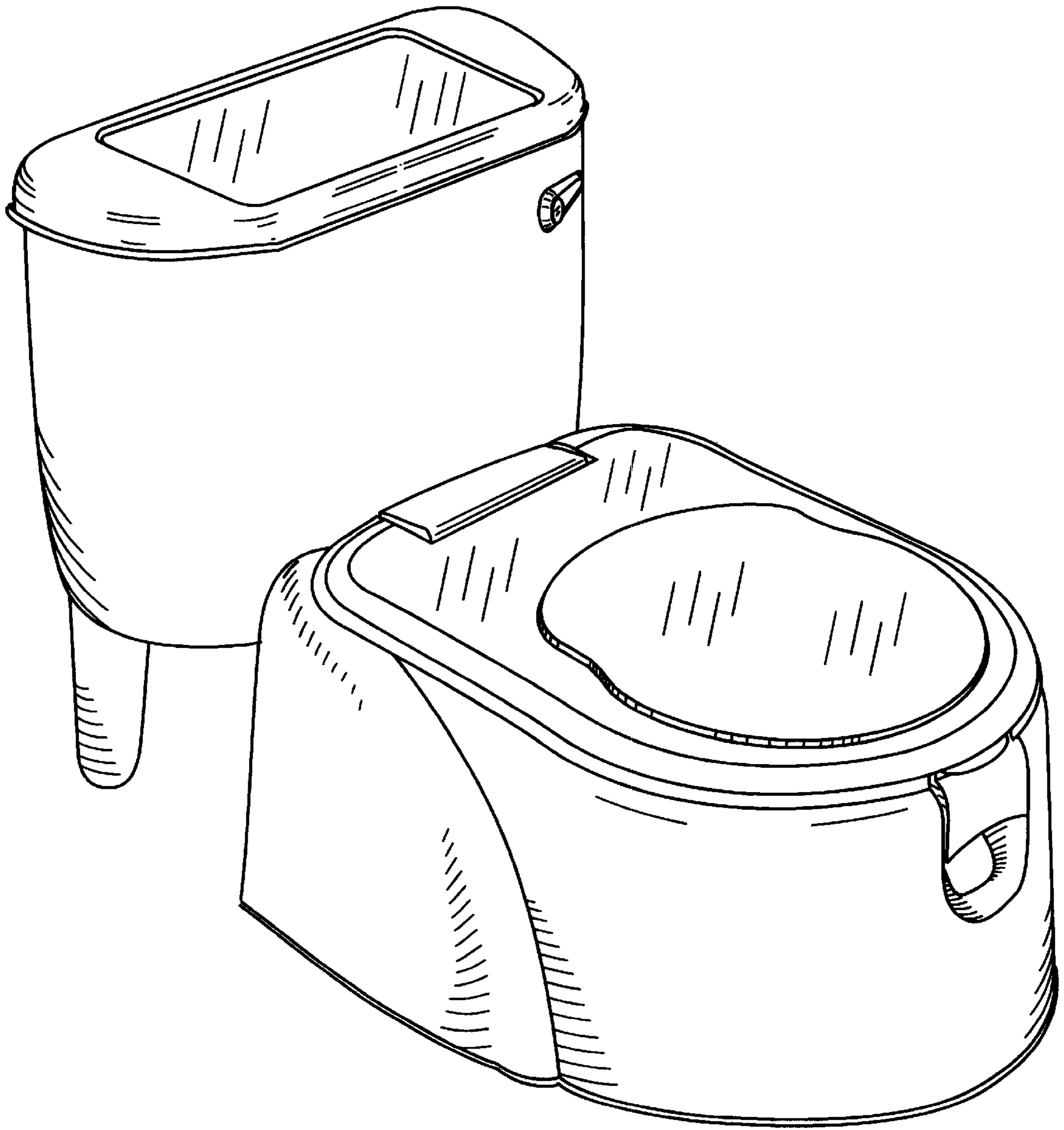


Fig. 1

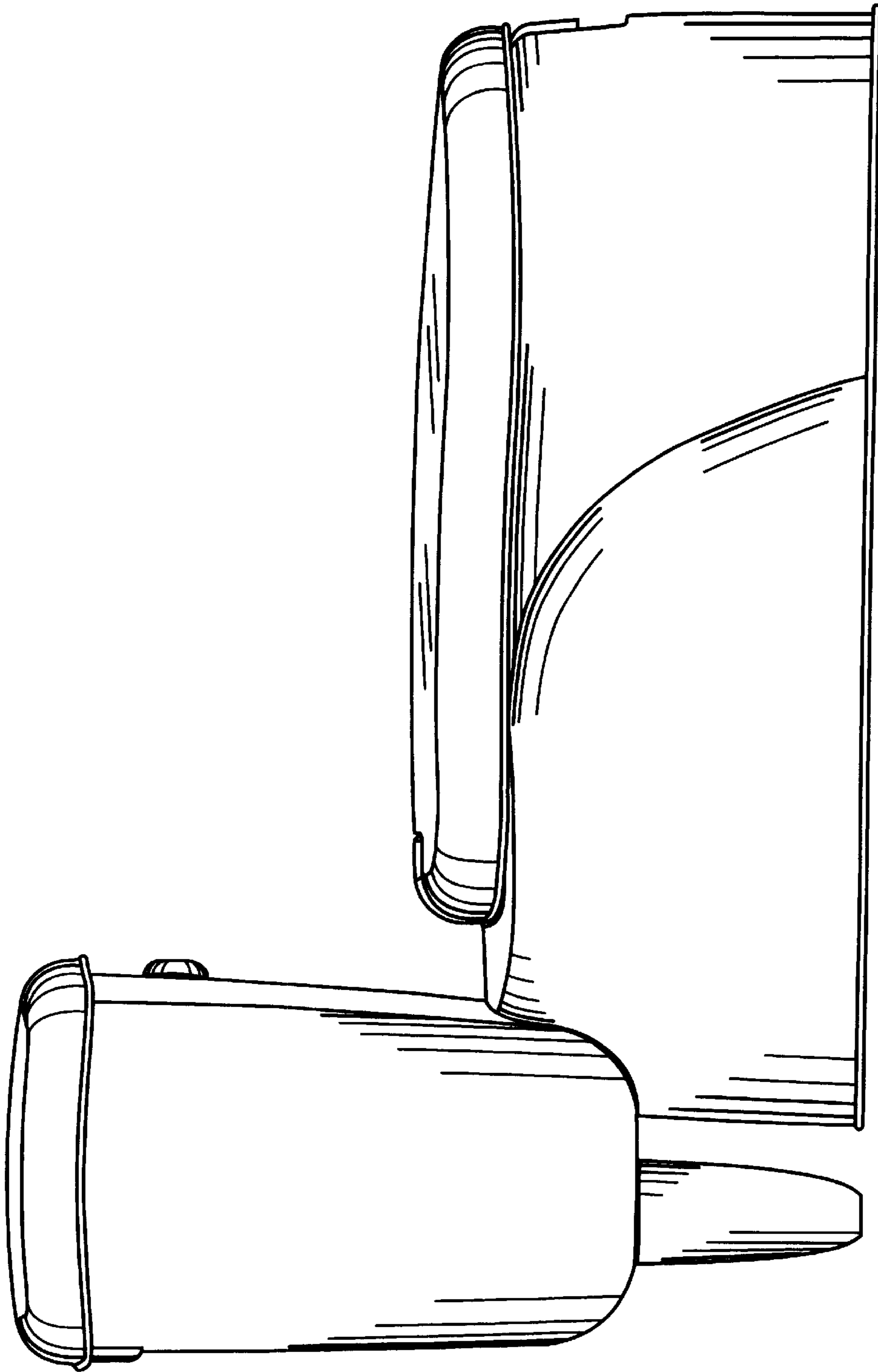


Fig. 2

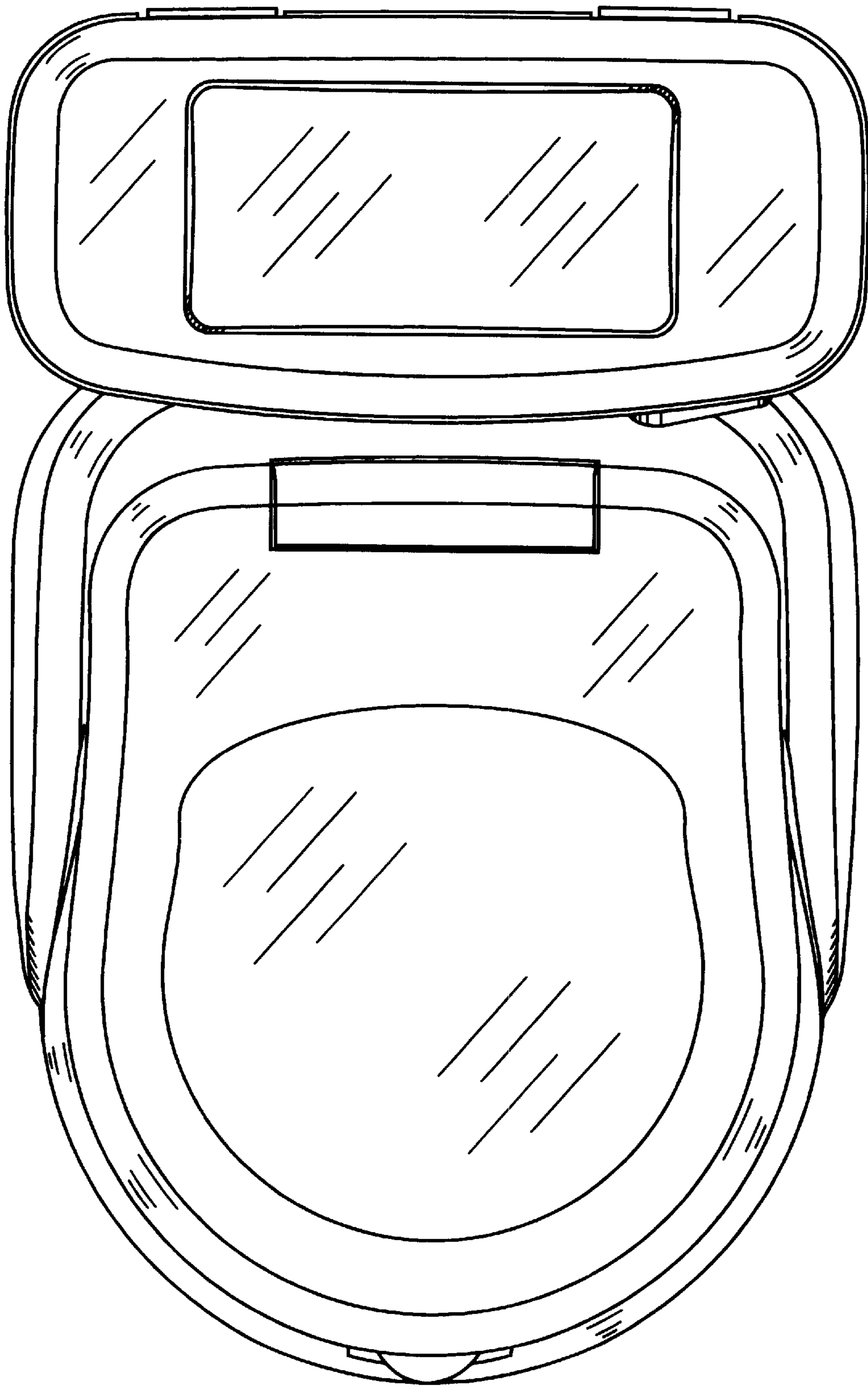


Fig. 3

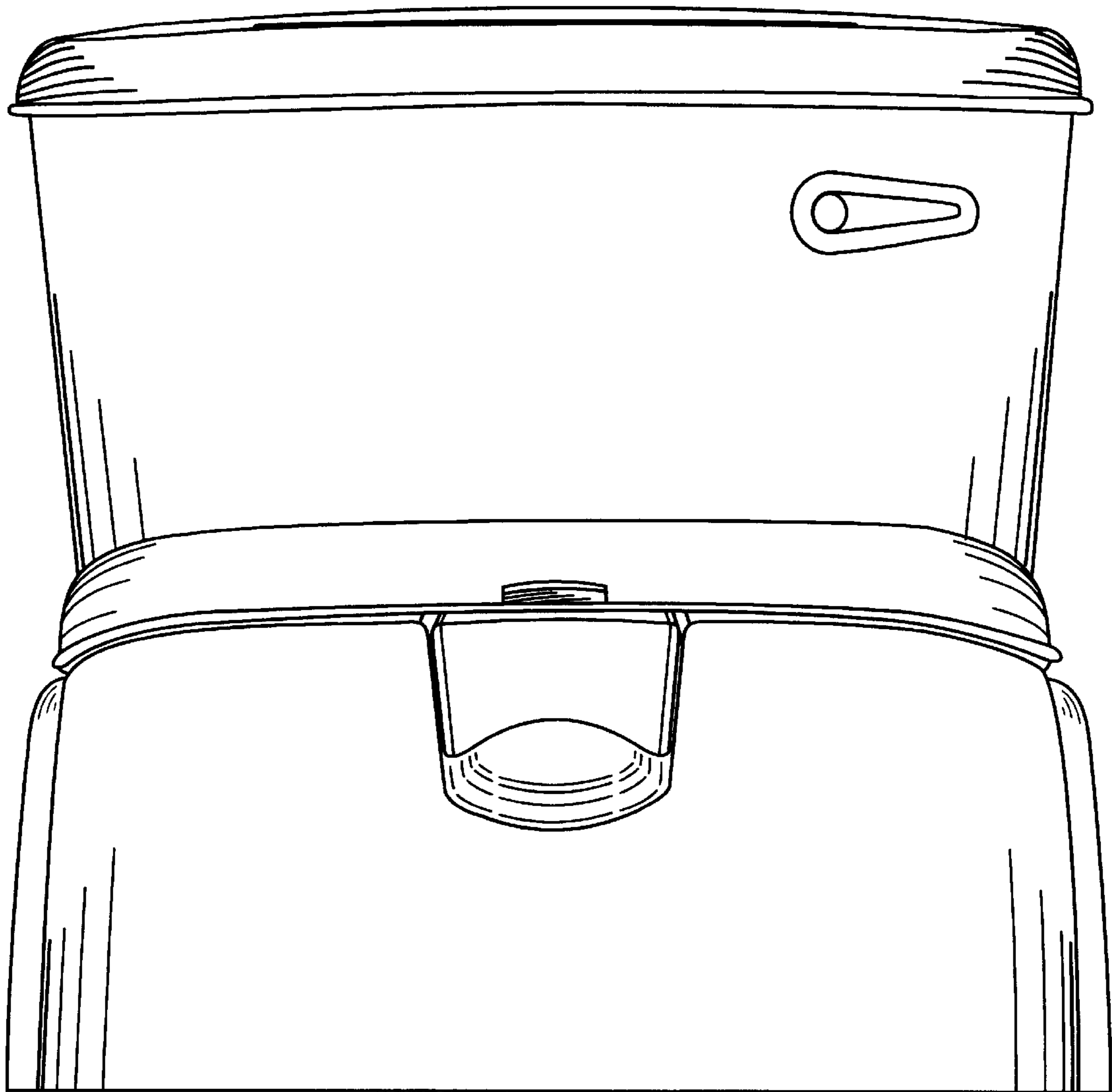


Fig. 4

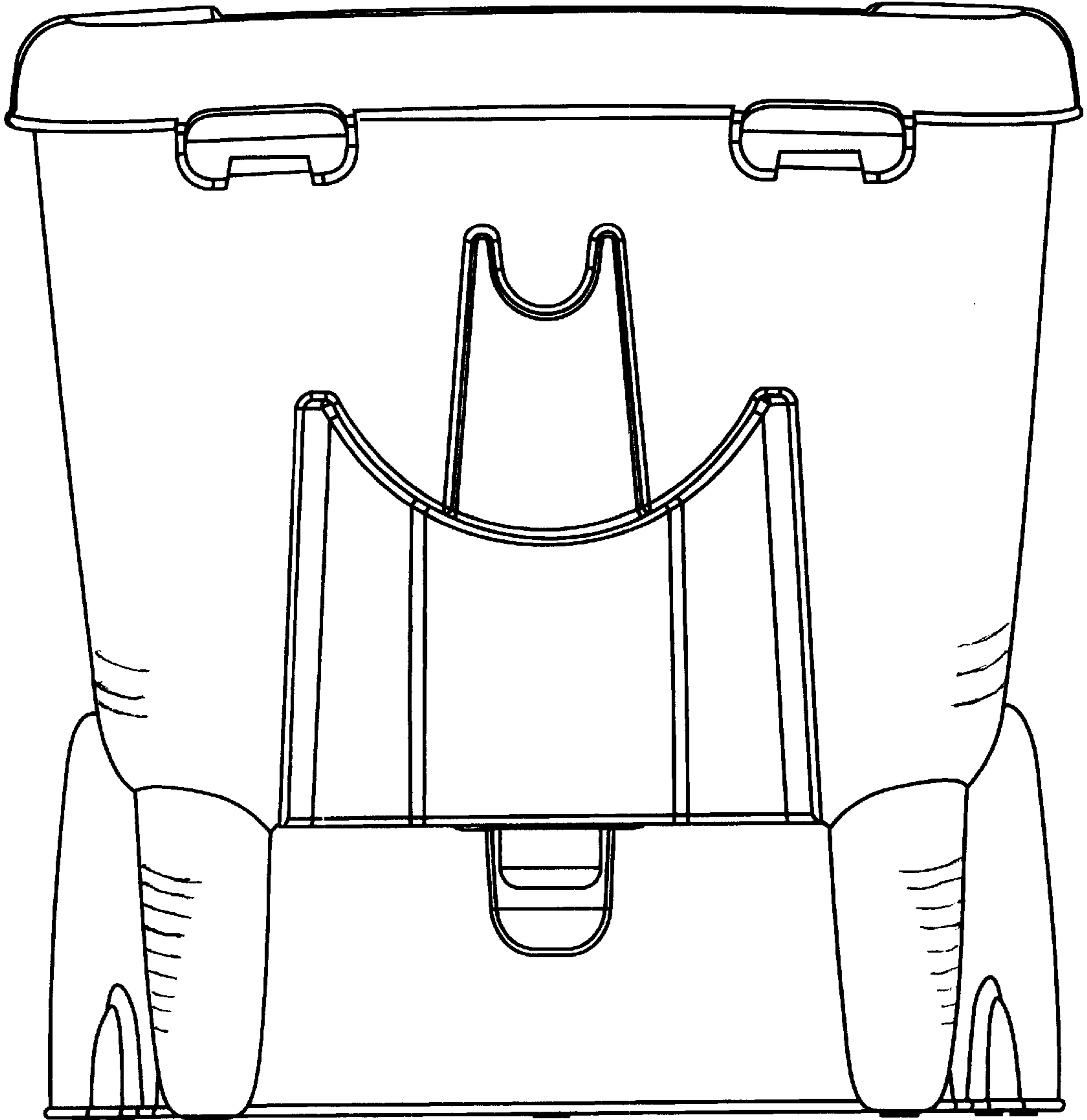


Fig. 5