



US00D473634S

(12) **United States Design Patent**
Foster

(10) **Patent No.:** **US D473,634 S**

(45) **Date of Patent:** **** Apr. 22, 2003**

(54) **BATHTUB**

(75) Inventor: **Norman Foster**, London (GB)

(73) Assignee: **Hoesch Metall + Kunststoffwerk GmbH & Co.**, Kreuzau (DE)

(**) Term: **14 Years**

(21) Appl. No.: **29/148,538**

(22) Filed: **Sep. 24, 2001**

(30) **Foreign Application Priority Data**

Mar. 23, 2001 (DE) 401 02 921

(51) **LOC (7) Cl.** **23-02**

(52) **U.S. Cl.** **D23/277**

(58) **Field of Search** D23/270, 273-278,
D23/280.1, 303-304, 306; 4/538, 541.1-541.5,
586, 663, 578.1

(56) **References Cited**

U.S. PATENT DOCUMENTS

1,325,423 A * 12/1919 Stuart 4/578.1

2,796,042 A * 6/1957 Cope D30/129 X

D219,215 S * 11/1970 Korol D23/280.1

4,535,489 A * 8/1985 Elkins 4/538 X

D374,515 S * 10/1996 Benson, II D23/278 X

D451,986 S * 12/2001 Marshall et al. D23/280.1

* cited by examiner

Primary Examiner—Louis S. Zarfes

Assistant Examiner—Robert A Delehanty

(74) *Attorney, Agent, or Firm*—Venable; Gabor J. Kelemen

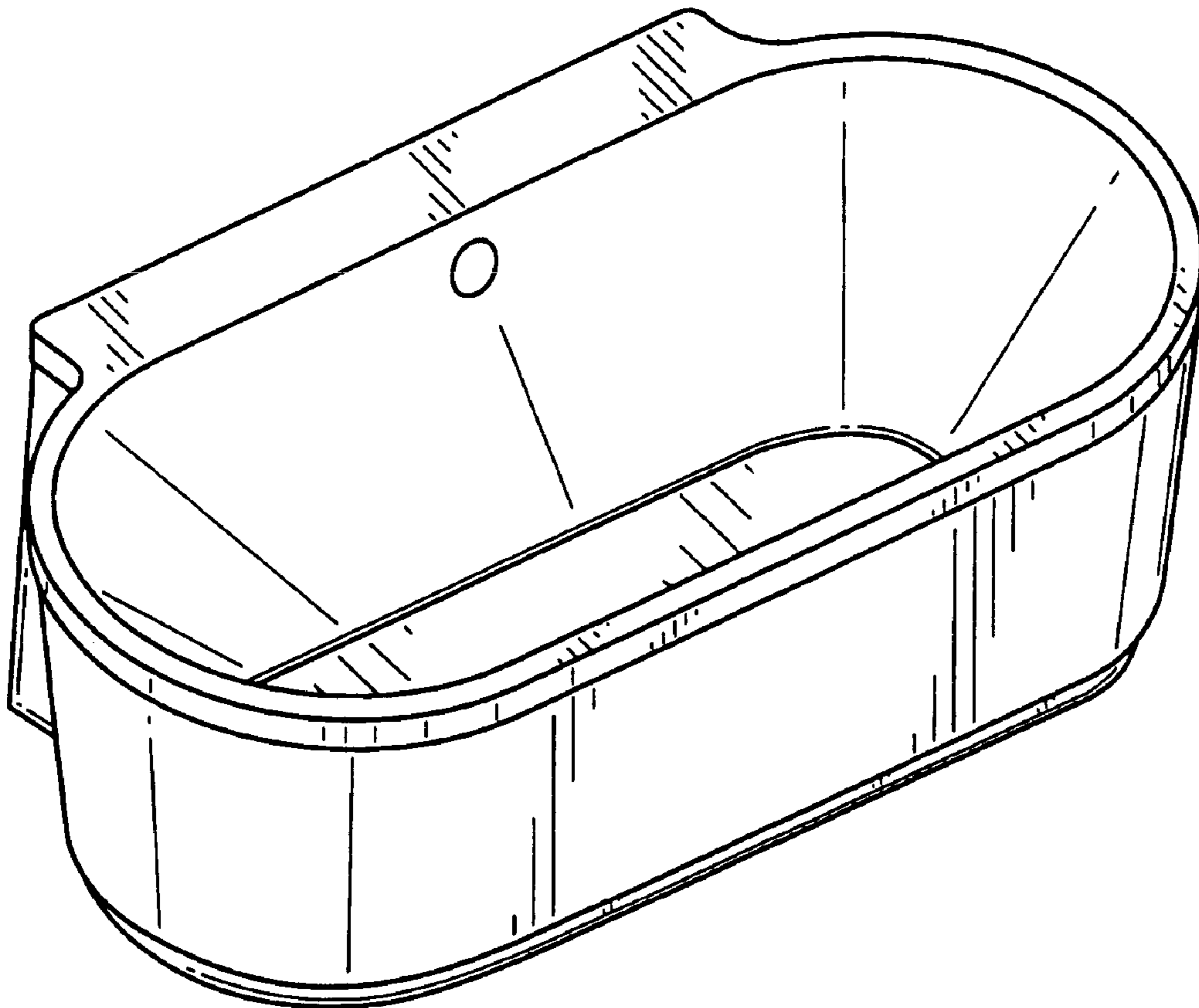
(57) **CLAIM**

The ornamental design for a bathtub, as shown and described.

DESCRIPTION

FIG. 1 is a perspective view of my new design;
FIG. 2 is a right side elevational view thereof;
FIG. 3 is a left side elevational view thereof;
FIG. 4 is a front elevational view thereof;
FIG. 5 is a rear elevational view thereof;
FIG. 6 is a top plan view thereof; and,
FIG. 7 is a bottom plan view thereof.

1 Claim, 4 Drawing Sheets



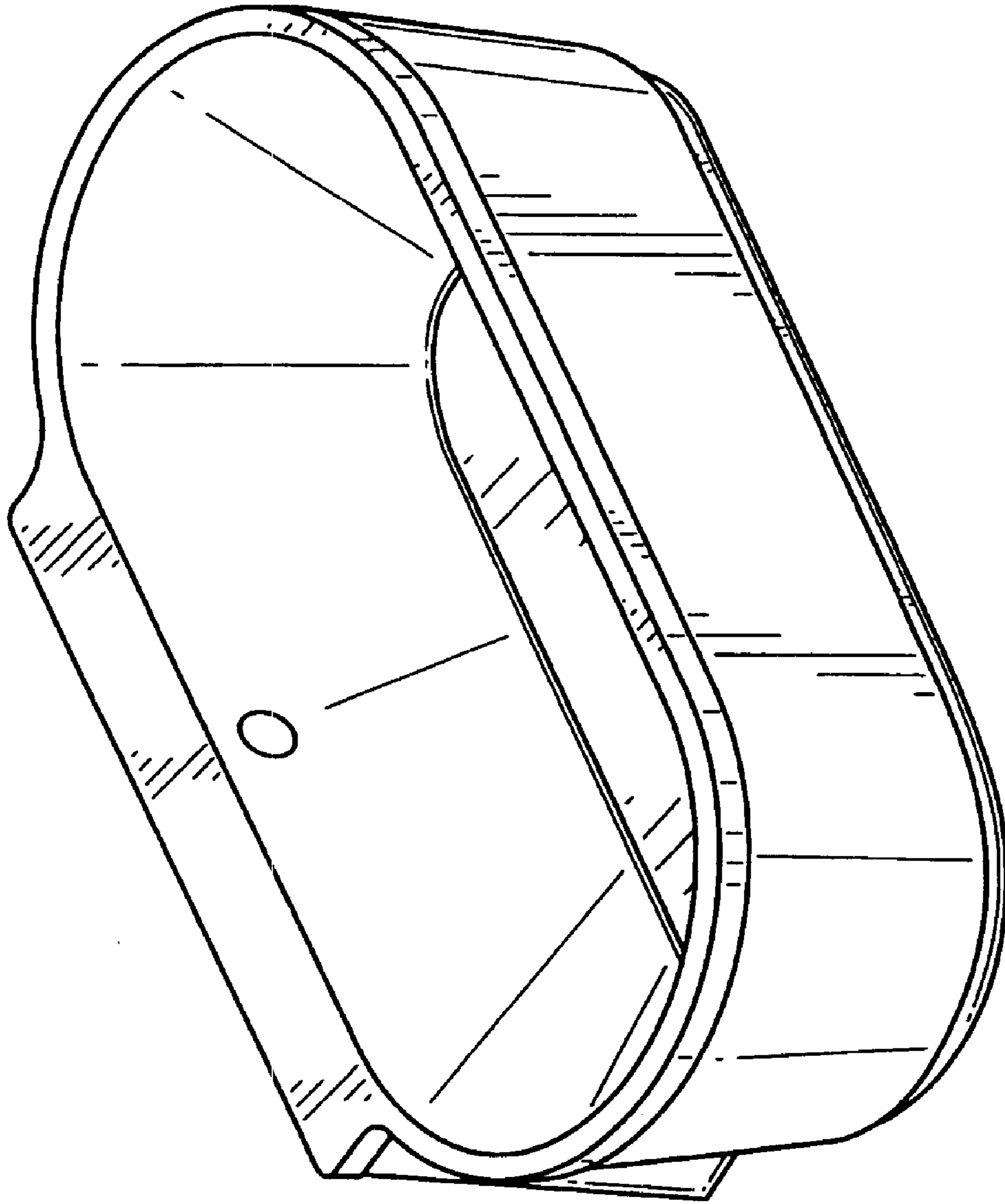


FIG. 1

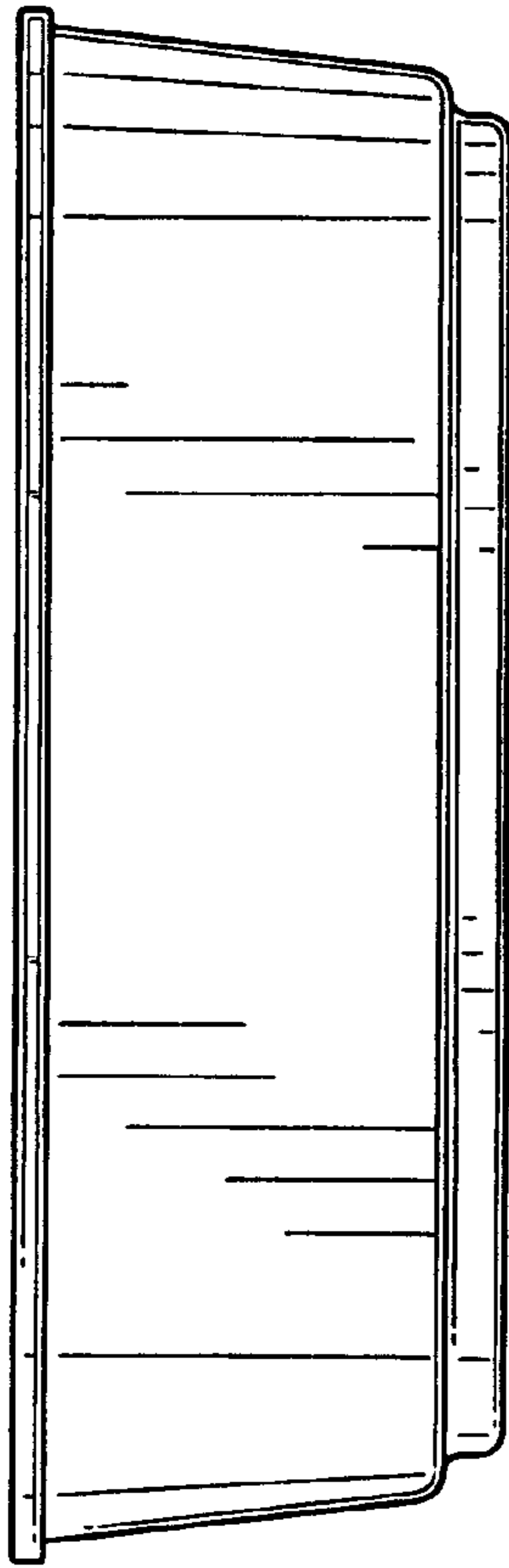


FIG. 2

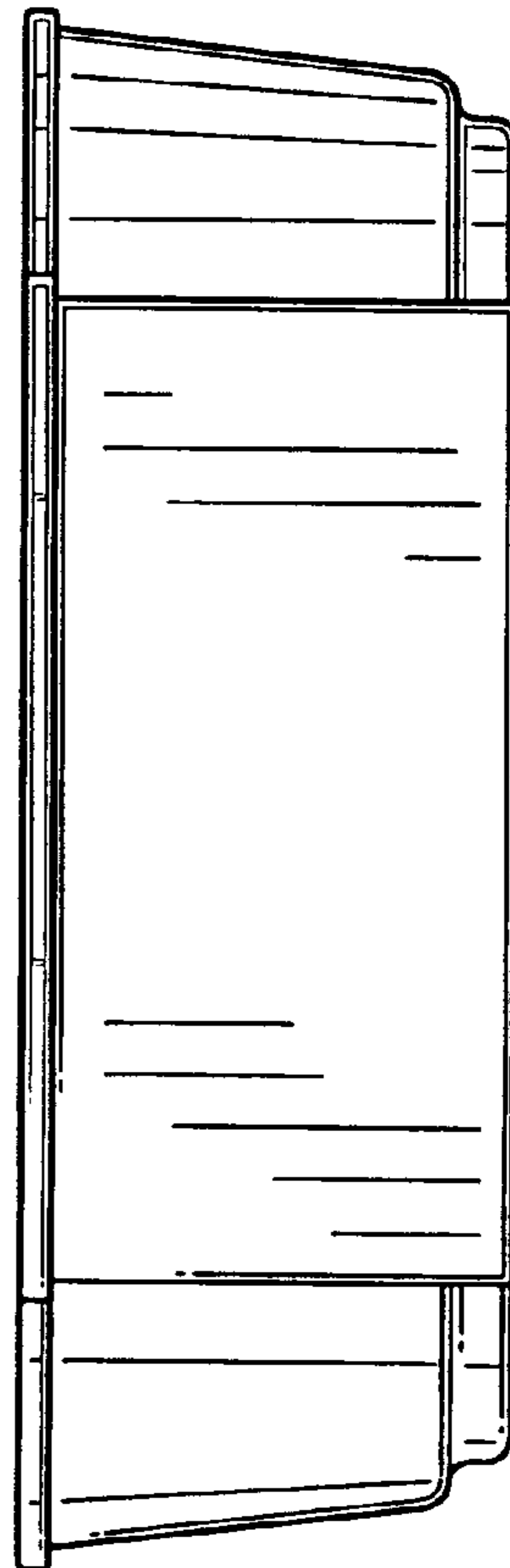


FIG. 3

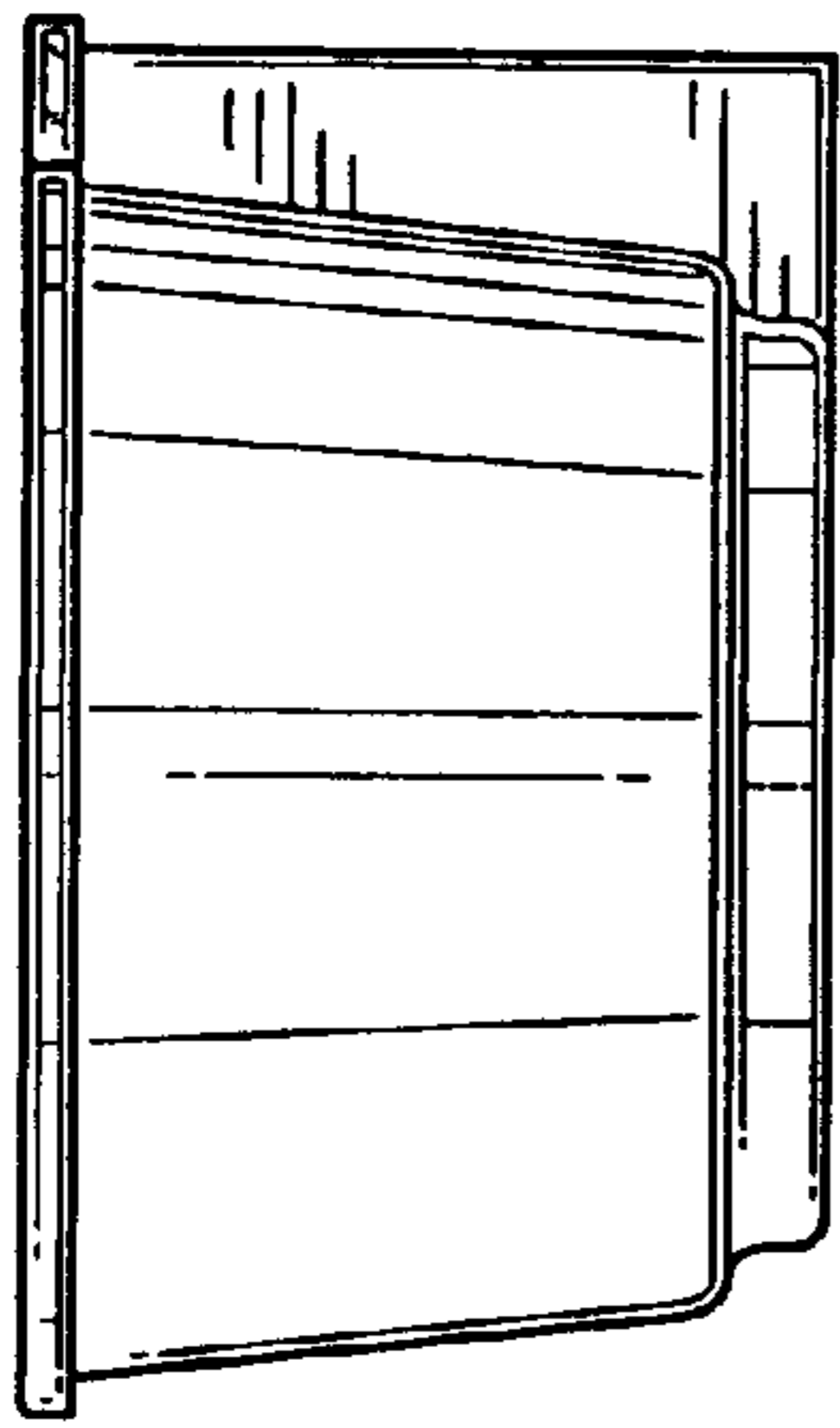


FIG. 4

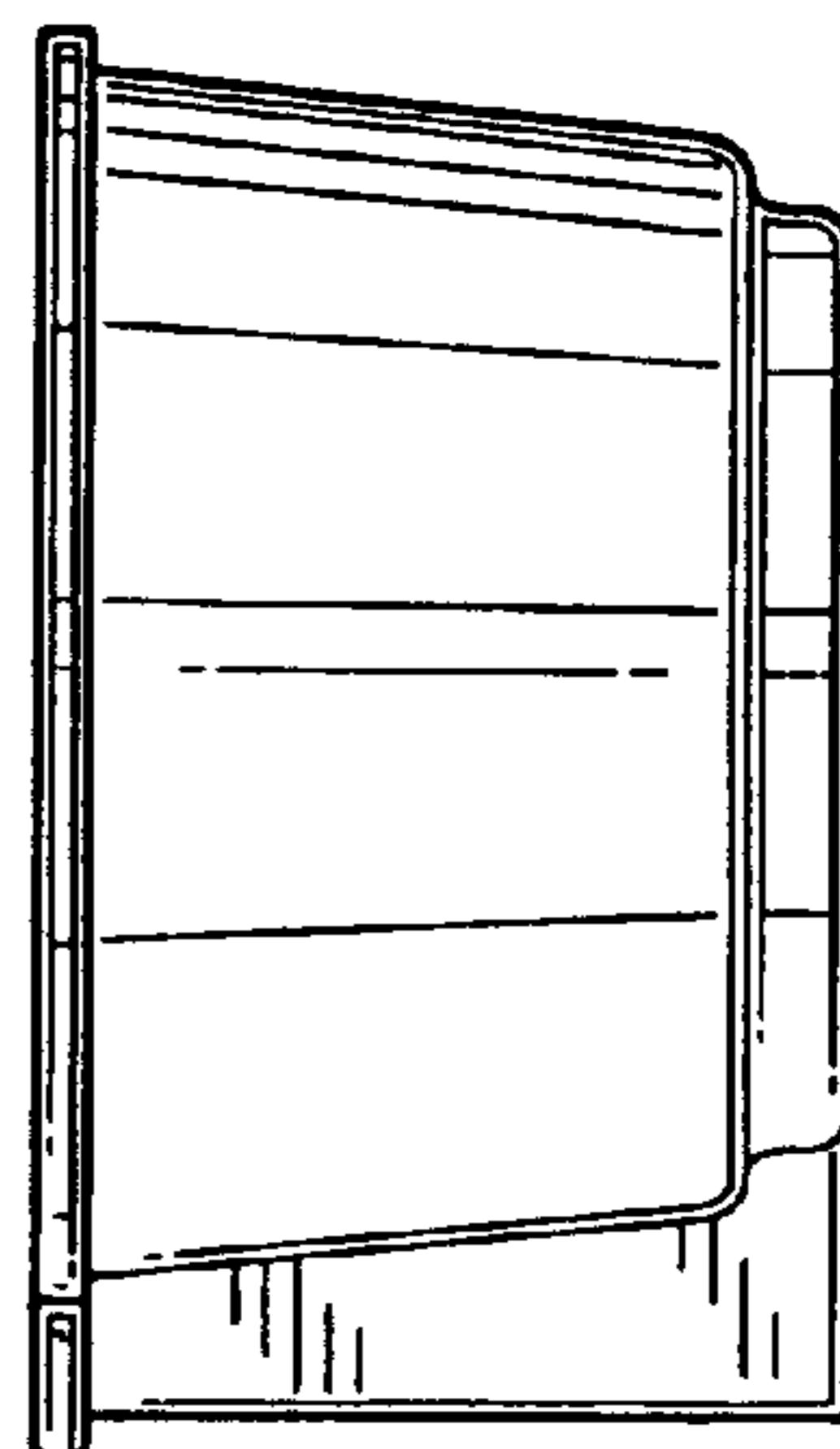


FIG. 5

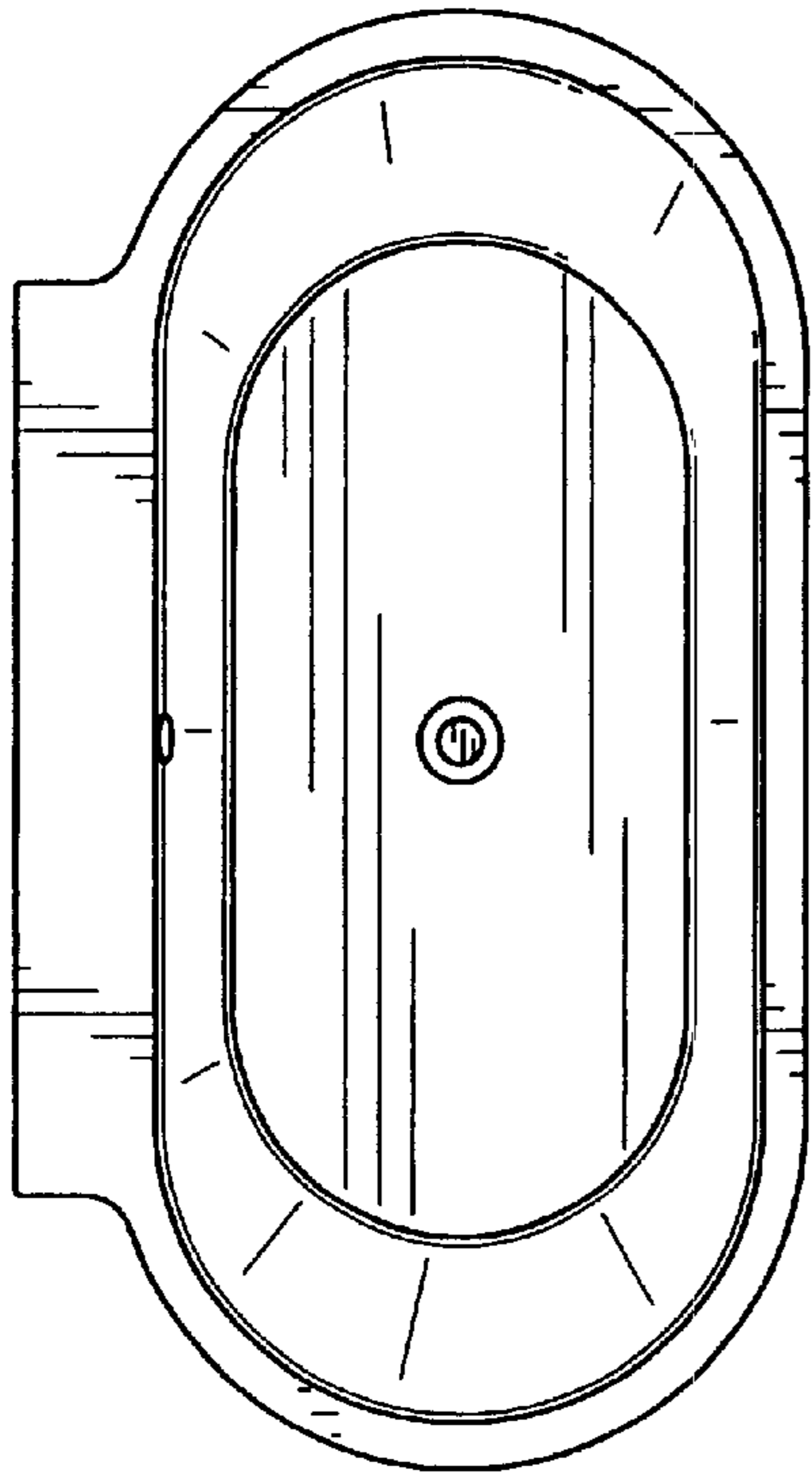


FIG. 6

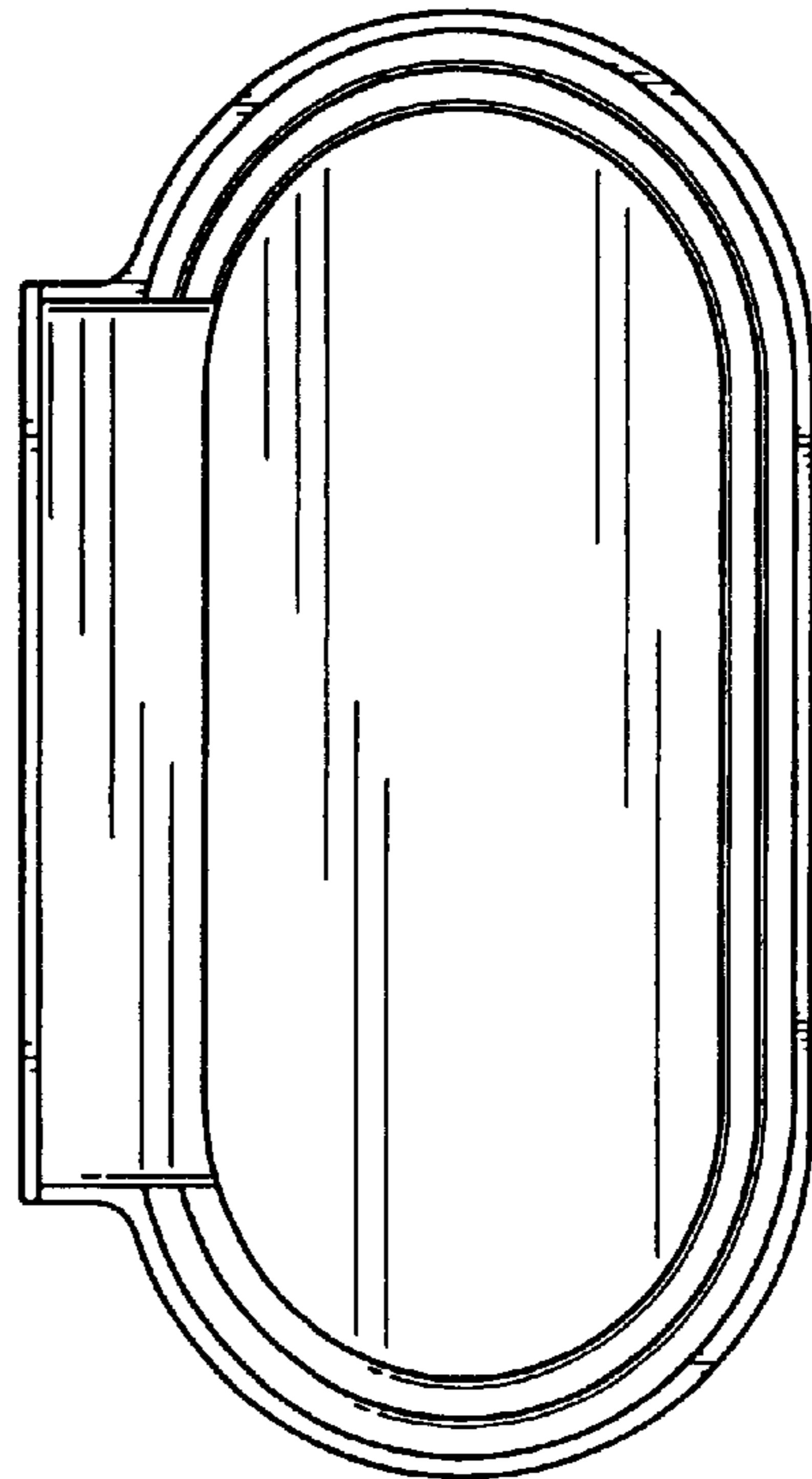


FIG. 7