



US00D473633S

(12) **United States Design Patent**
Chun-Lee

(10) **Patent No.:** **US D473,633 S**

(45) **Date of Patent:** **** Apr. 22, 2003**

(54) **SOFT SLEEVE FOR FAST COPPER PIPE JOINT**

3,837,683 A * 9/1974 Taylor 285/235
4,717,182 A * 1/1988 Behrens et al. 285/235

(75) **Inventor:** **Pong Chun-Lee, Chang Hua (TW)**

* cited by examiner

(73) **Assignee:** **Success & Tech Industrial Co., Ltd., Taichung (TW)**

Primary Examiner—Robin V. Taylor
(74) *Attorney, Agent, or Firm*—Bacon & Thomas, PLLC

(**) **Term:** **14 Years**

(57) **CLAIM**

(21) **Appl. No.:** **29/162,464**

The ornamental design for a soft sleeve for fast copper pipe joint, as shown and described.

(22) **Filed:** **Jun. 18, 2002**

DESCRIPTION

(51) **LOC (7) Cl.** **23-01**

(52) **U.S. Cl.** **D23/262**

(58) **Field of Search** D23/259, 262;
285/34, 35, 235

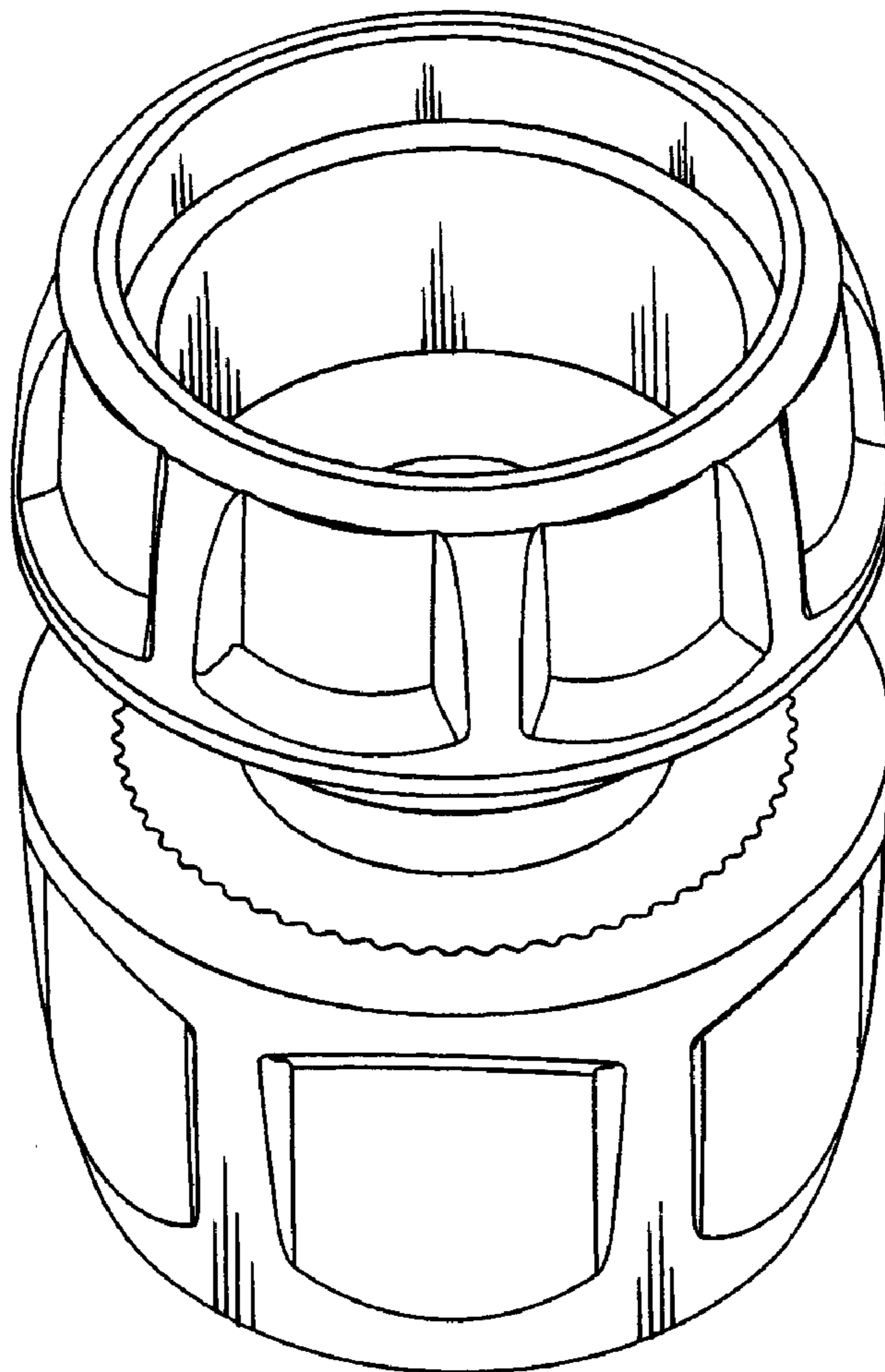
FIG. 1 shows a perspective view of the present design.
FIG. 2 shows a front elevational view of the present design.
FIG. 3 shows a rear elevational view of the present design.
FIG. 4 shows a left elevational view of the present design.
FIG. 5 shows a right elevational view of the present design.
FIG. 6 shows a top plan view of the present design; and,
FIG. 7 shows a bottom plan view of the present design.

(56) **References Cited**

U.S. PATENT DOCUMENTS

3,368,830 A * 2/1968 French 285/235
3,638,978 A * 2/1972 Guntermann 285/235

1 Claim, 7 Drawing Sheets



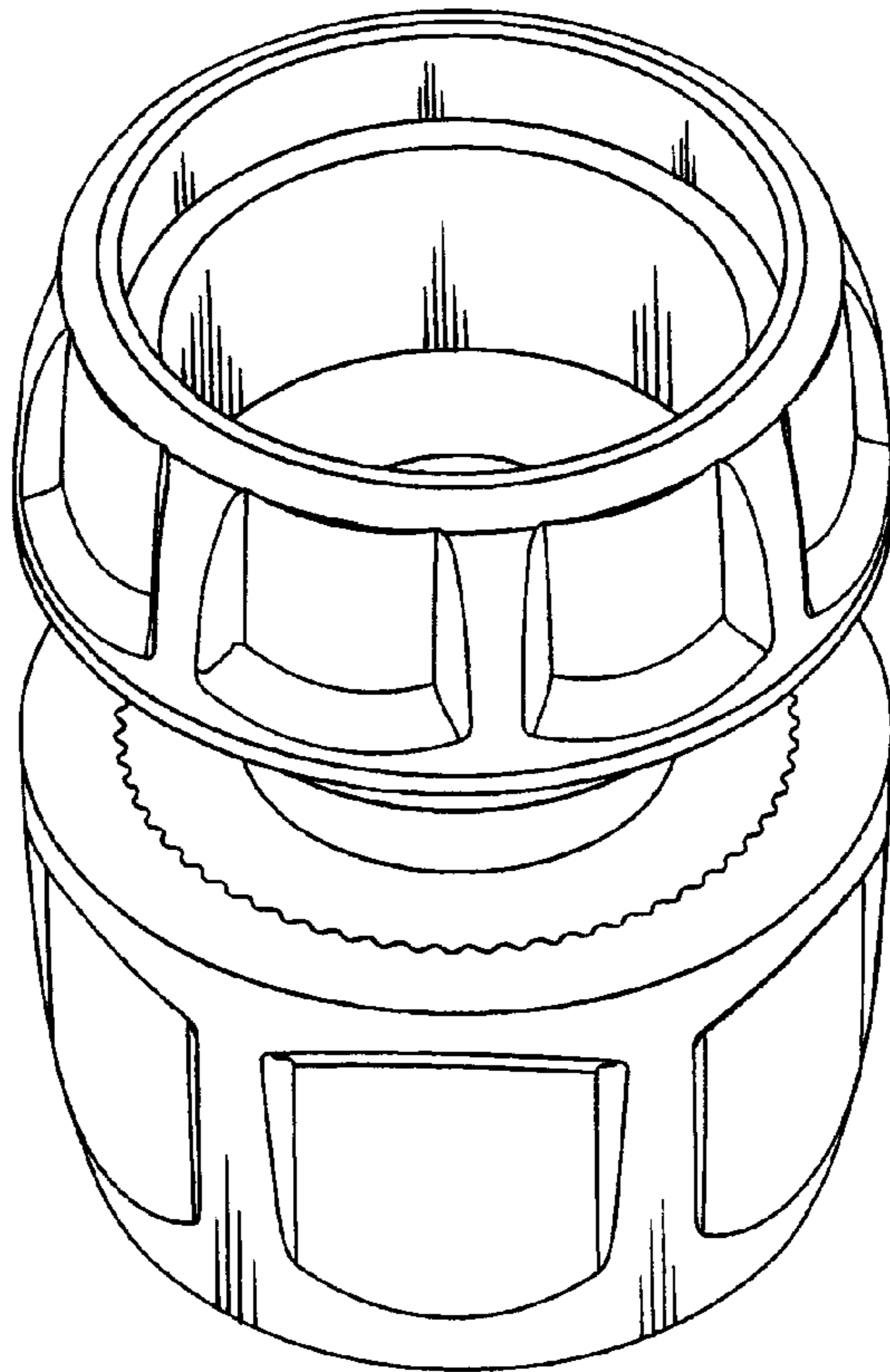


Fig • 1

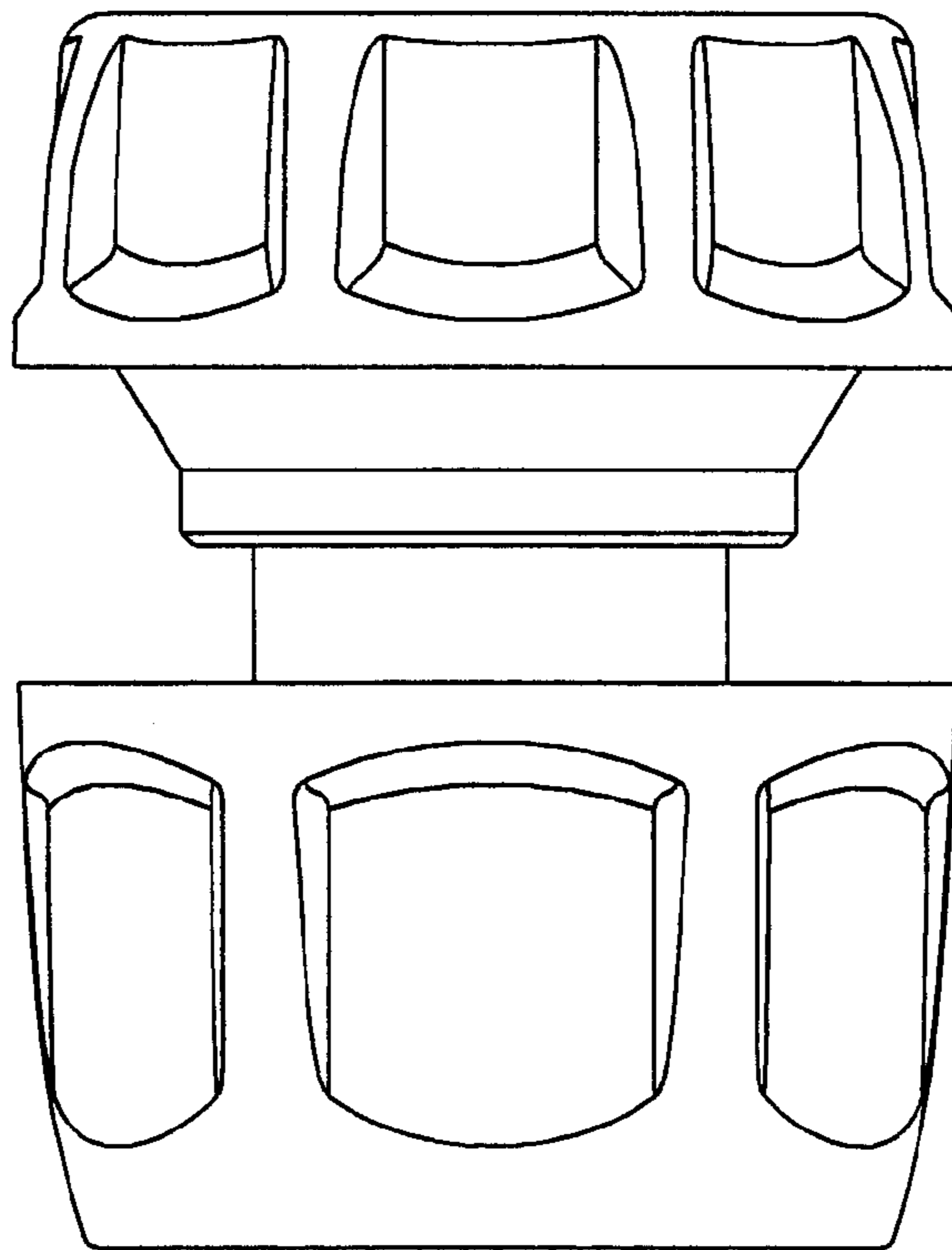


Fig • 2

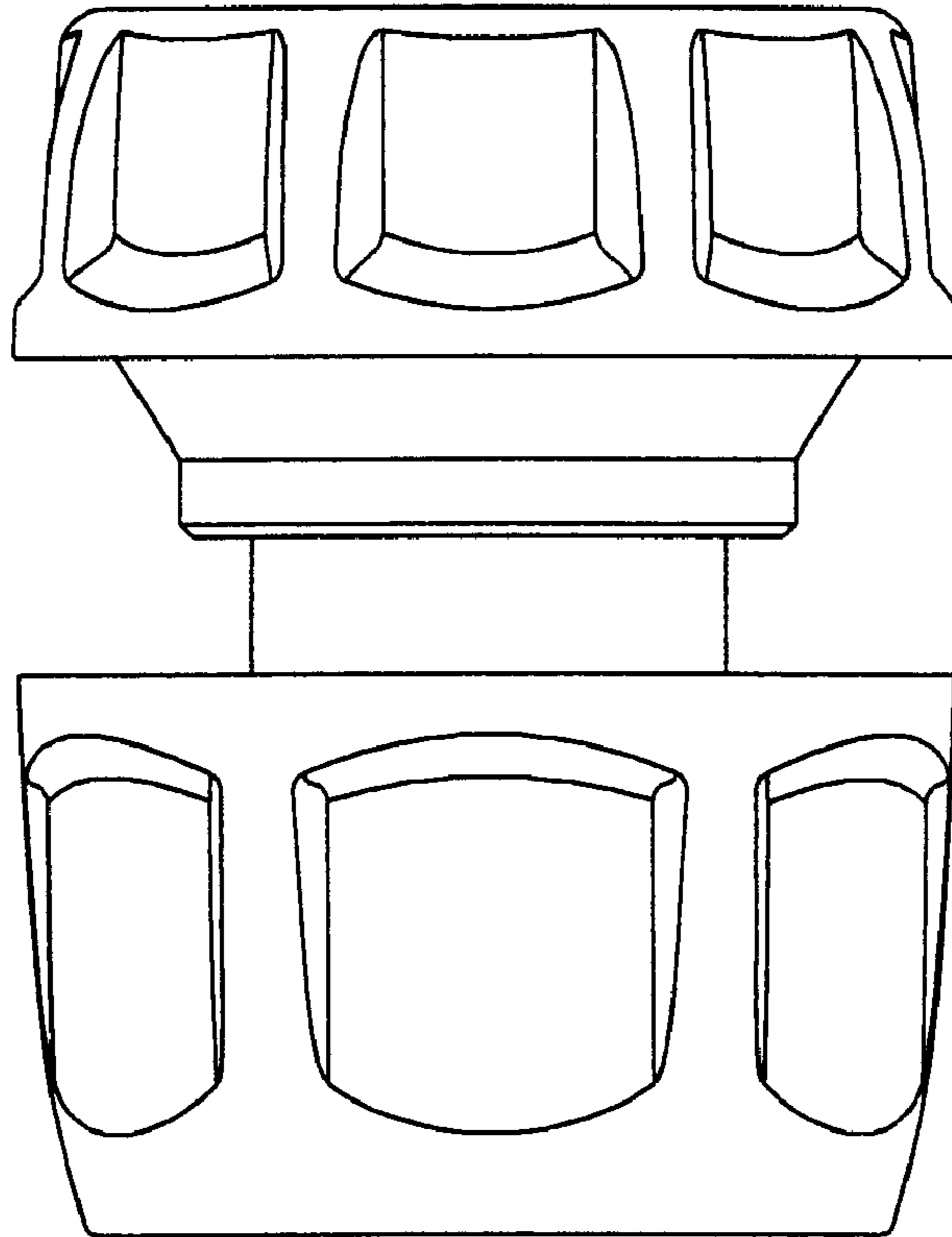


Fig • 3

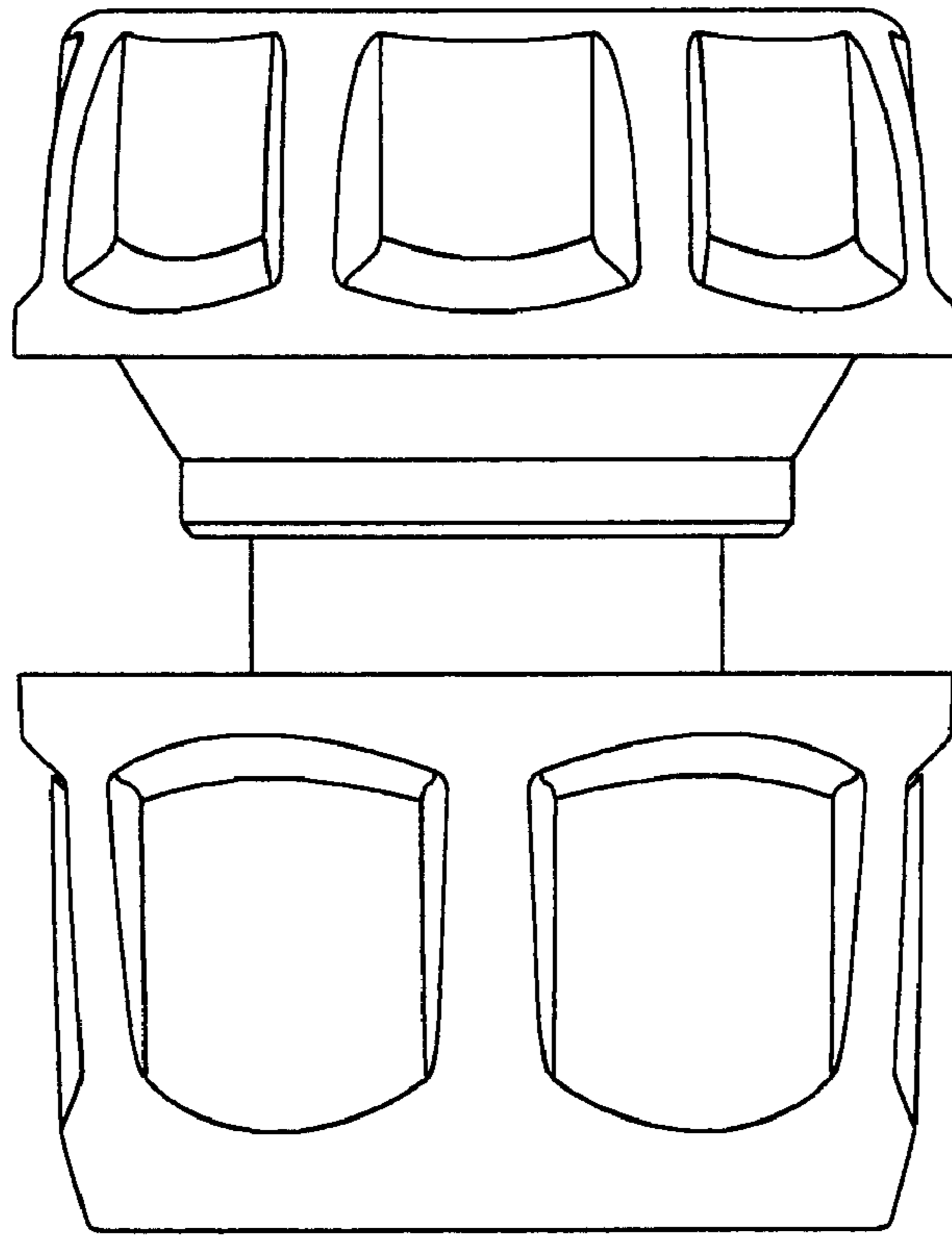


Fig • 4

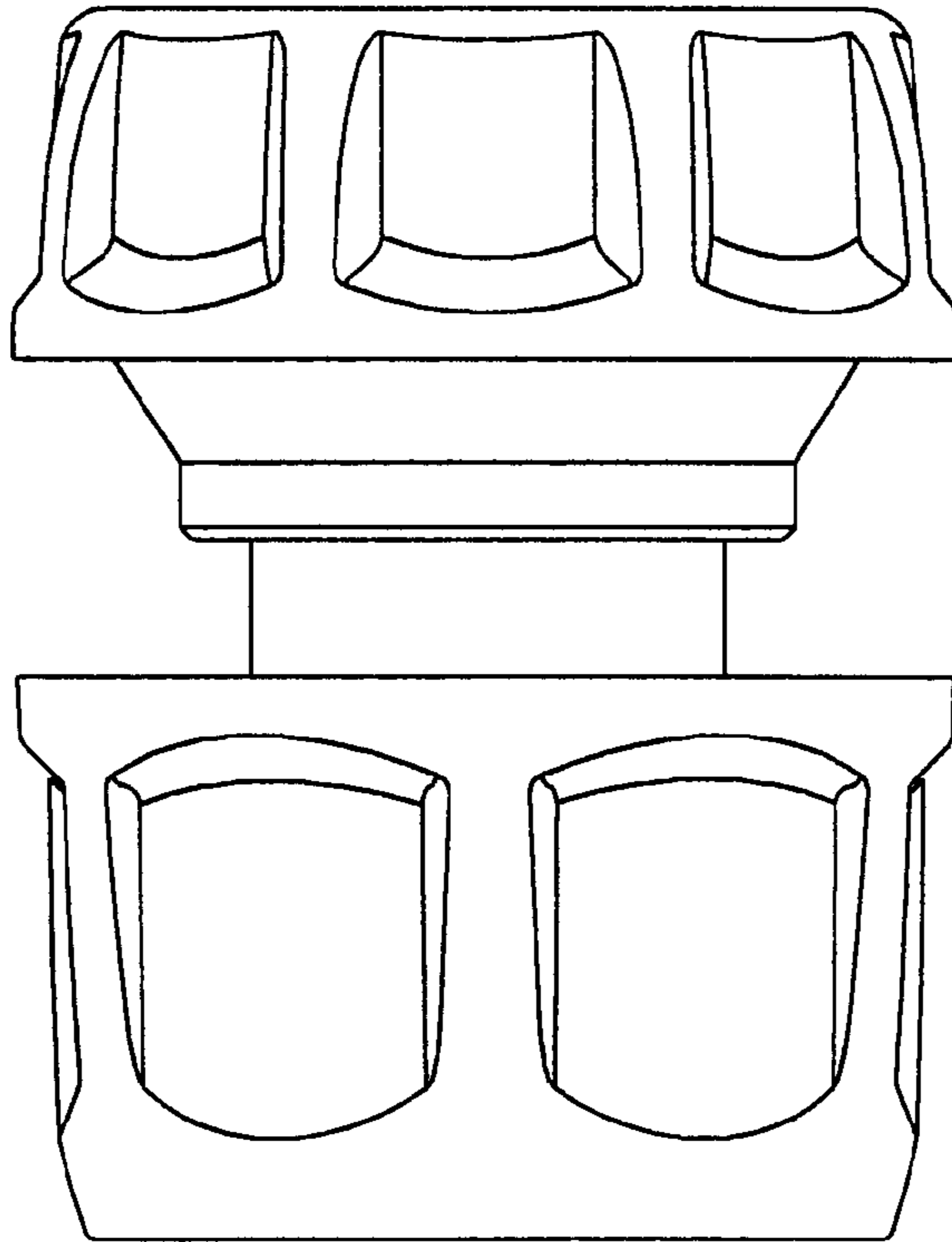


Fig • 5

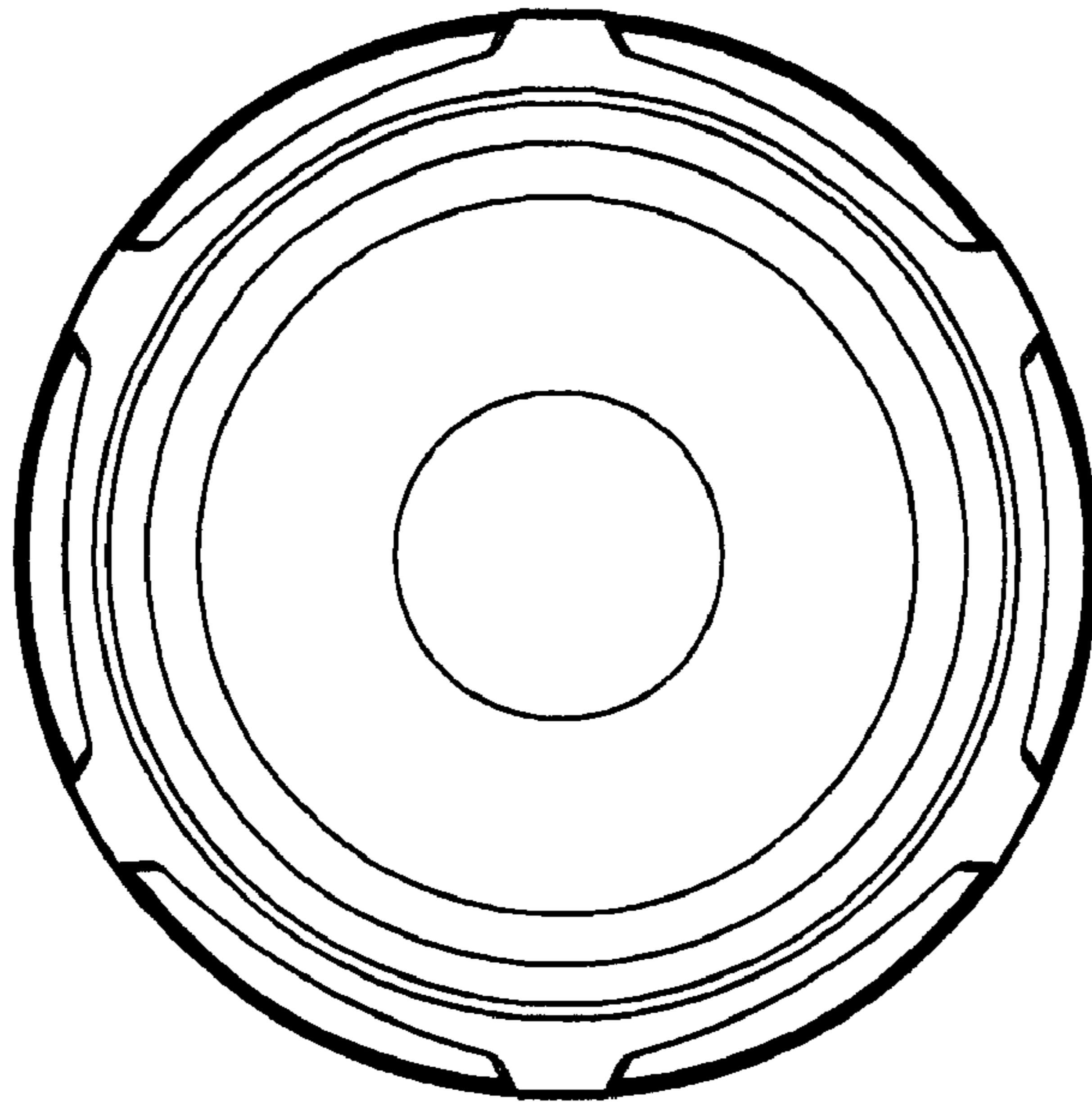


Fig • 6

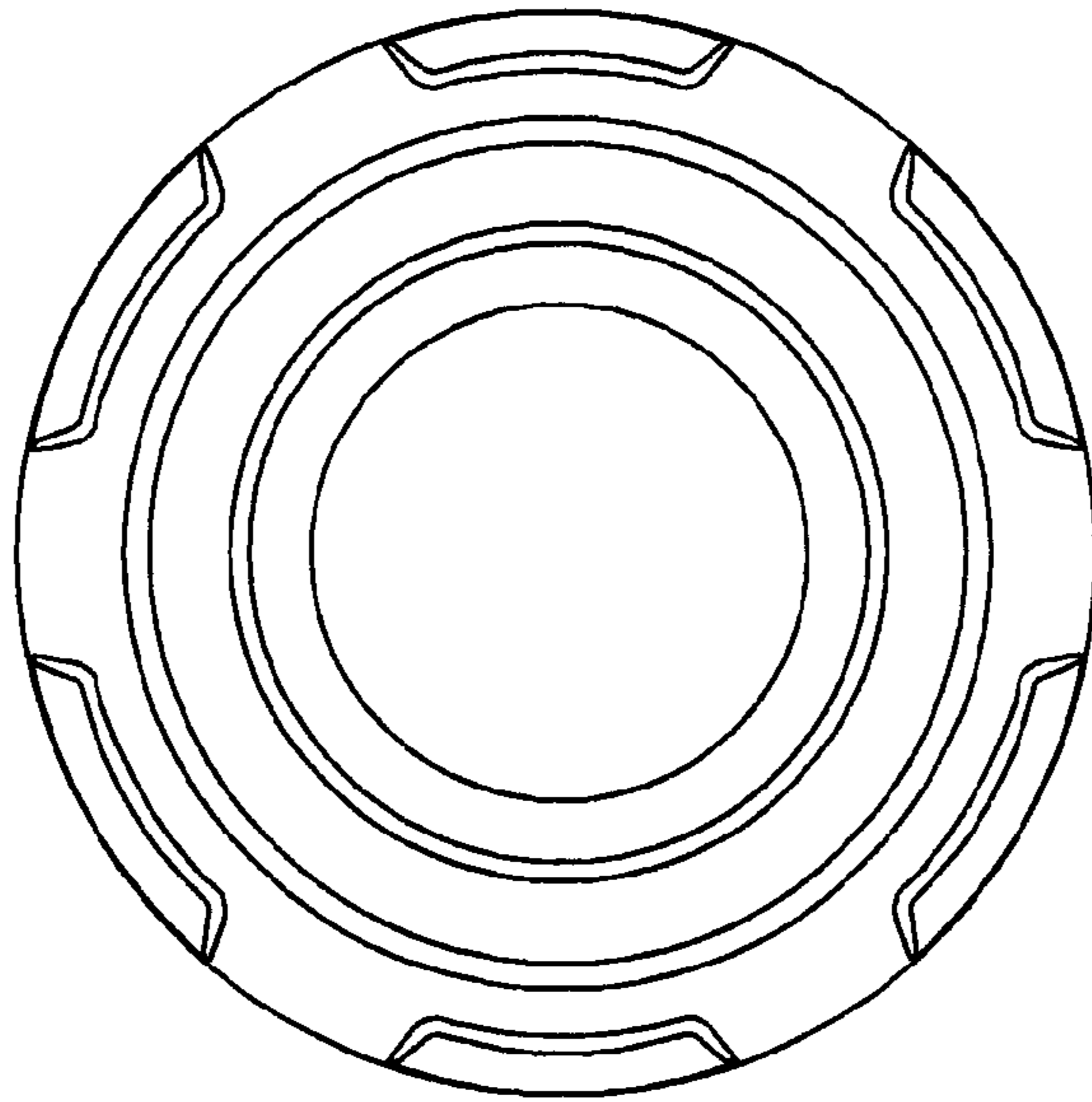


Fig • 7