



US00D473631S

(12) **United States Design Patent**
Lai

(10) **Patent No.:** **US D473,631 S**

(45) **Date of Patent:** **** Apr. 22, 2003**

(54) **SWITCH VALVE**

(76) **Inventor:** **Hung-Lin Lai**, No. 5-3, Chi Pan Lane,
Kou Chien Li, Lu Kang Township,
Chang Hua Hsien (TW)

(**) **Term:** **14 Years**

(21) **Appl. No.:** **29/155,396**

(22) **Filed:** **Feb. 11, 2002**

(51) **LOC (7) Cl.** **23-01**

(52) **U.S. Cl.** **D23/245; D23/233**

(58) **Field of Search** **D23/233, 245;**
251/314, 309-310, 335.3, 315.1, 315.01;
137/554

(56) **References Cited**

U.S. PATENT DOCUMENTS

D77,028 S	*	11/1928	Price et al.	D23/245
4,479,513 A	*	10/1984	Koch et al.	137/625.47
D400,970 S	*	11/1998	Voo	D23/245
5,992,823 A	*	11/1999	Hung-Lin	251/315.14
D429,519 S	*	8/2000	Ferrer Beltran	D23/233

OTHER PUBLICATIONS

www.andersonmetals—Dec. 23, 2002—straight stops
(valve) at bottom of photo.*

www.plumbingmart—Dec. 23, 2002—straight faucet supply
stops—cover and blow-up drawing.*

* cited by examiner

Primary Examiner—Nelson C. Holtje

(74) *Attorney, Agent, or Firm*—Harrison & Egbert

(57) **CLAIM**

I claim the ornamental design for a switch valve, as shown
and described.

DESCRIPTION

FIG. 1 is an upper perspective view of the switch valve
showing my design.

FIG. 2 is a front view thereof;

FIG. 3 is a back view thereof;

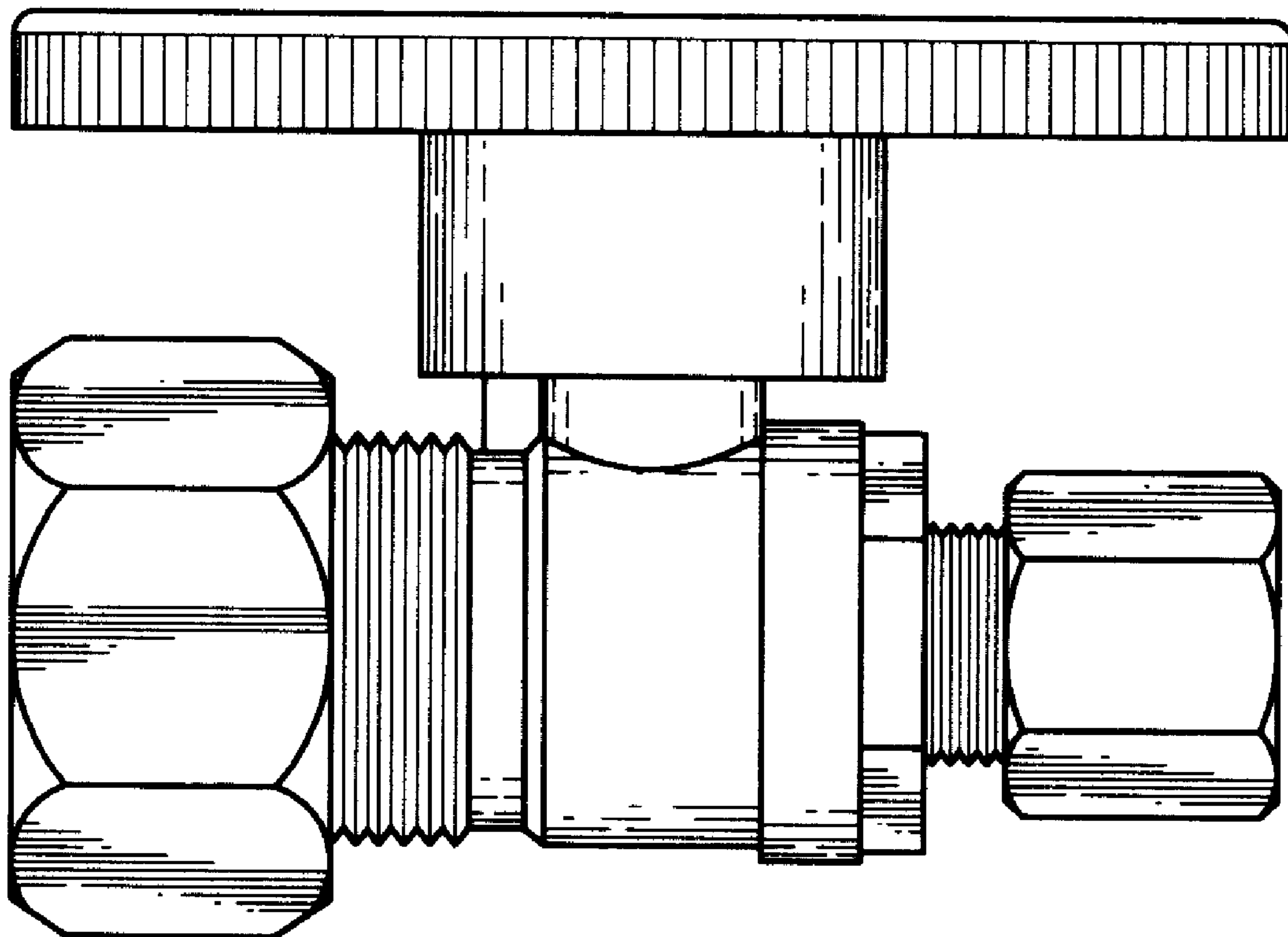
FIG. 4 is a side view thereof;

FIG. 5 is an opposite side view thereof;

FIG. 6 is a top view thereof; and,

FIG. 7 is a bottom view thereof.

1 Claim, 4 Drawing Sheets



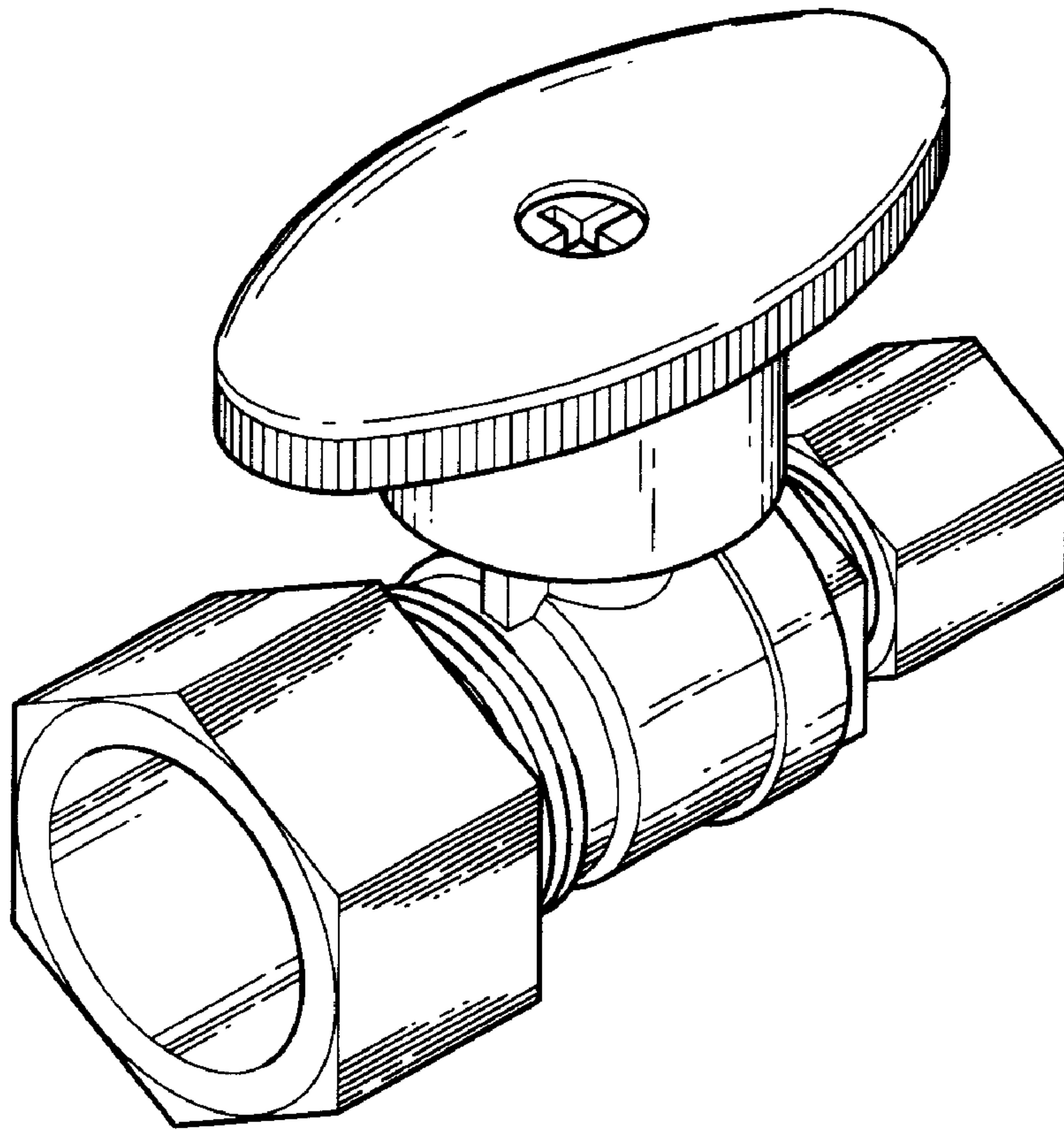


FIG. 1

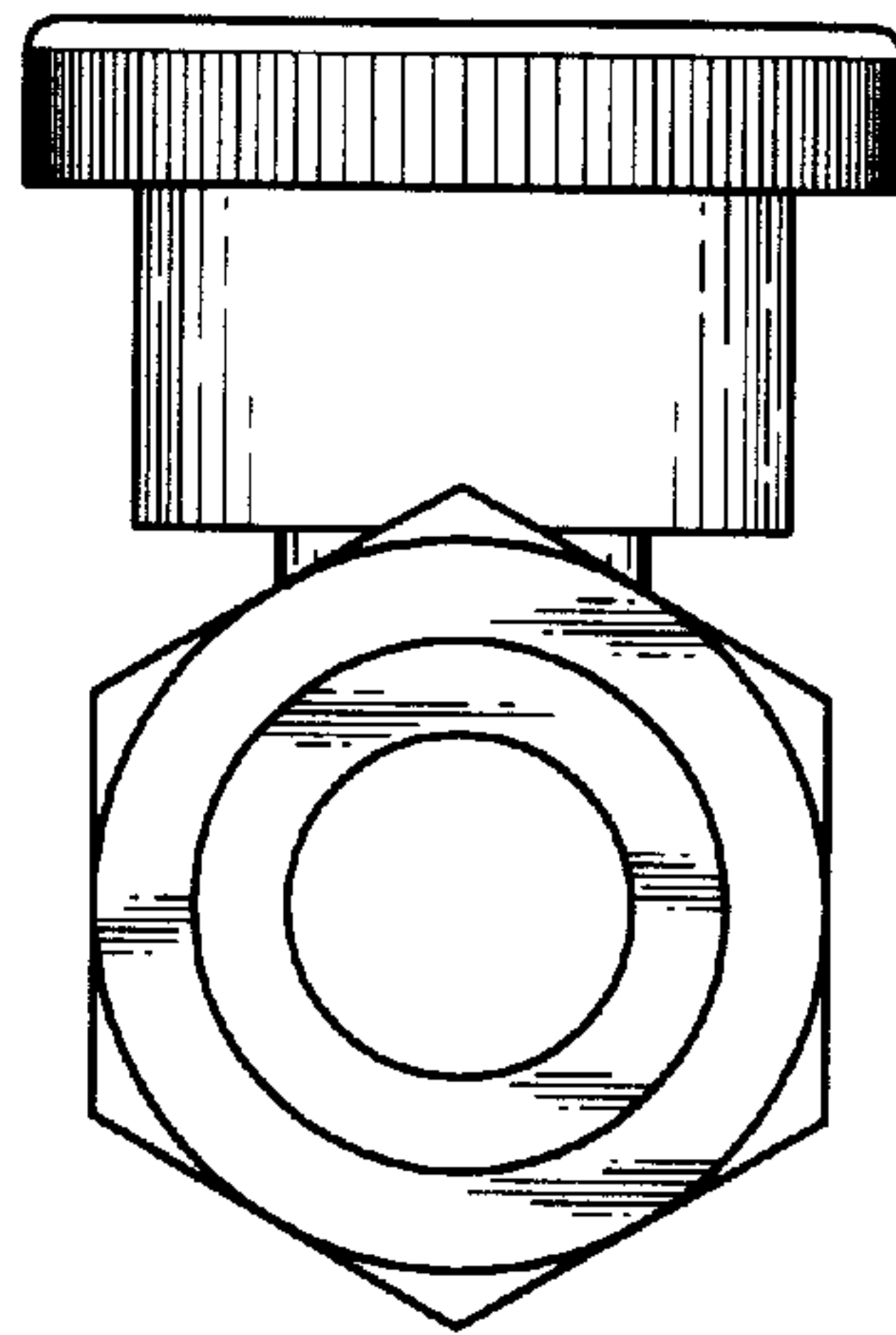


FIG. 2

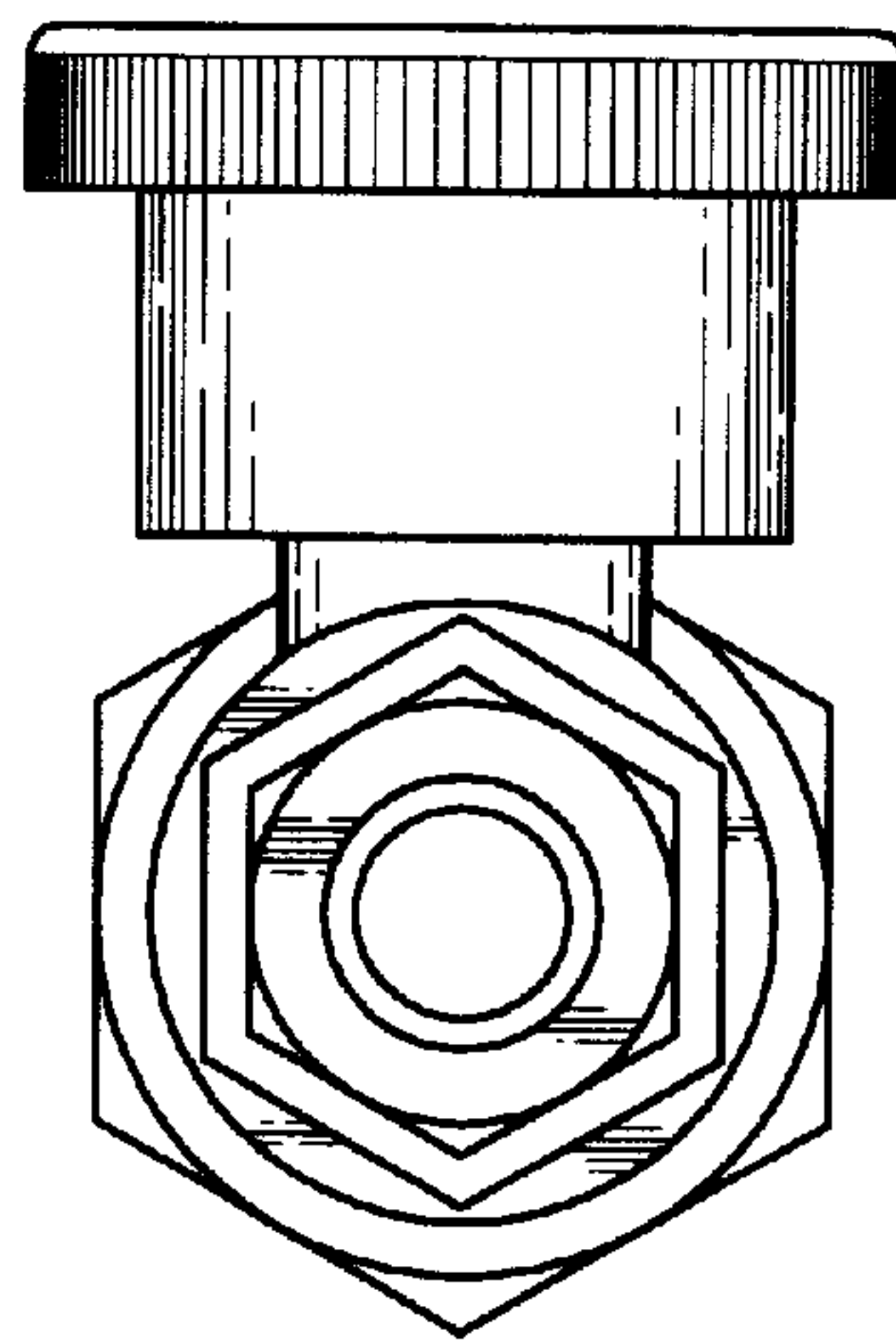


FIG. 3

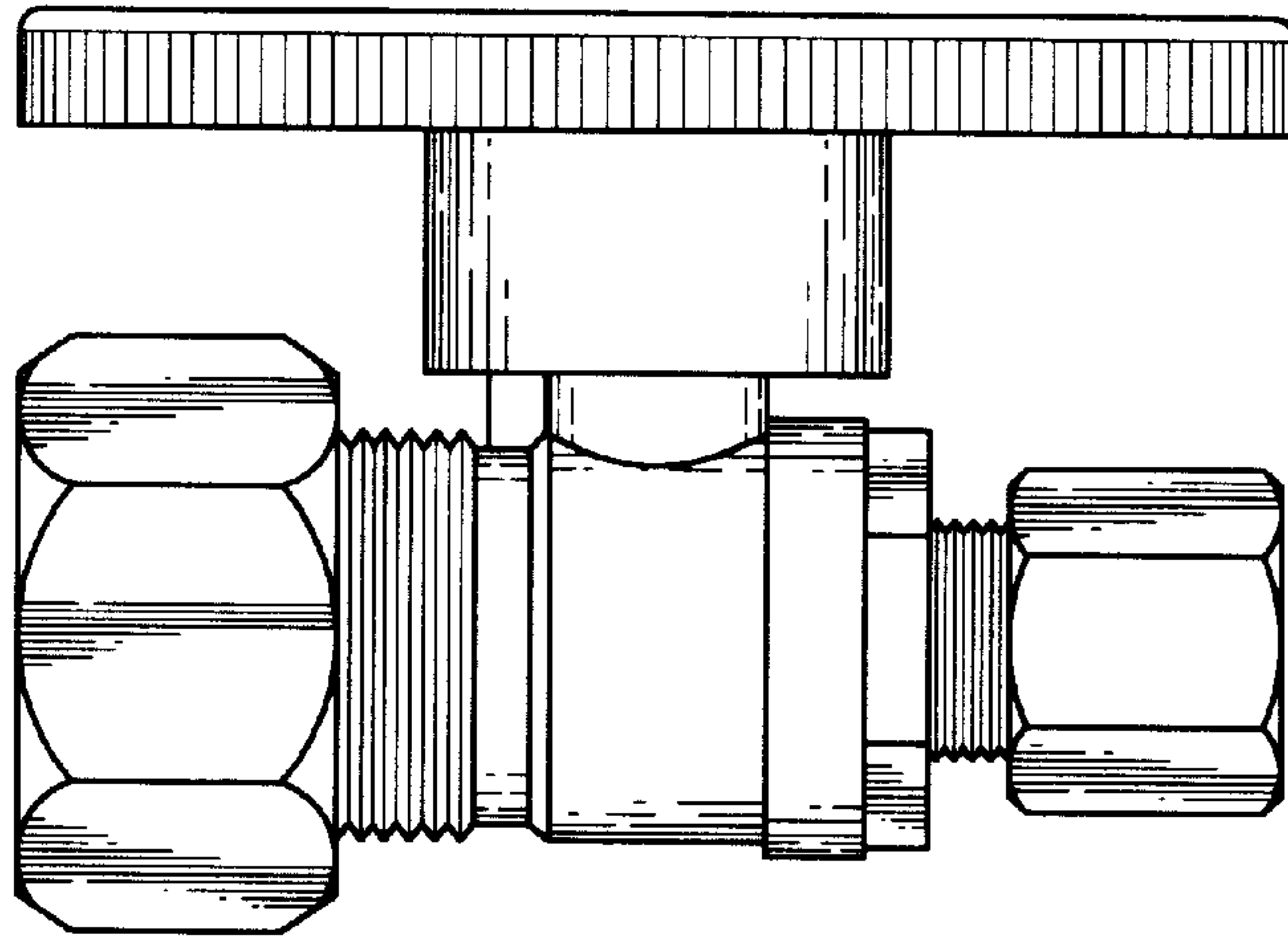


FIG.4

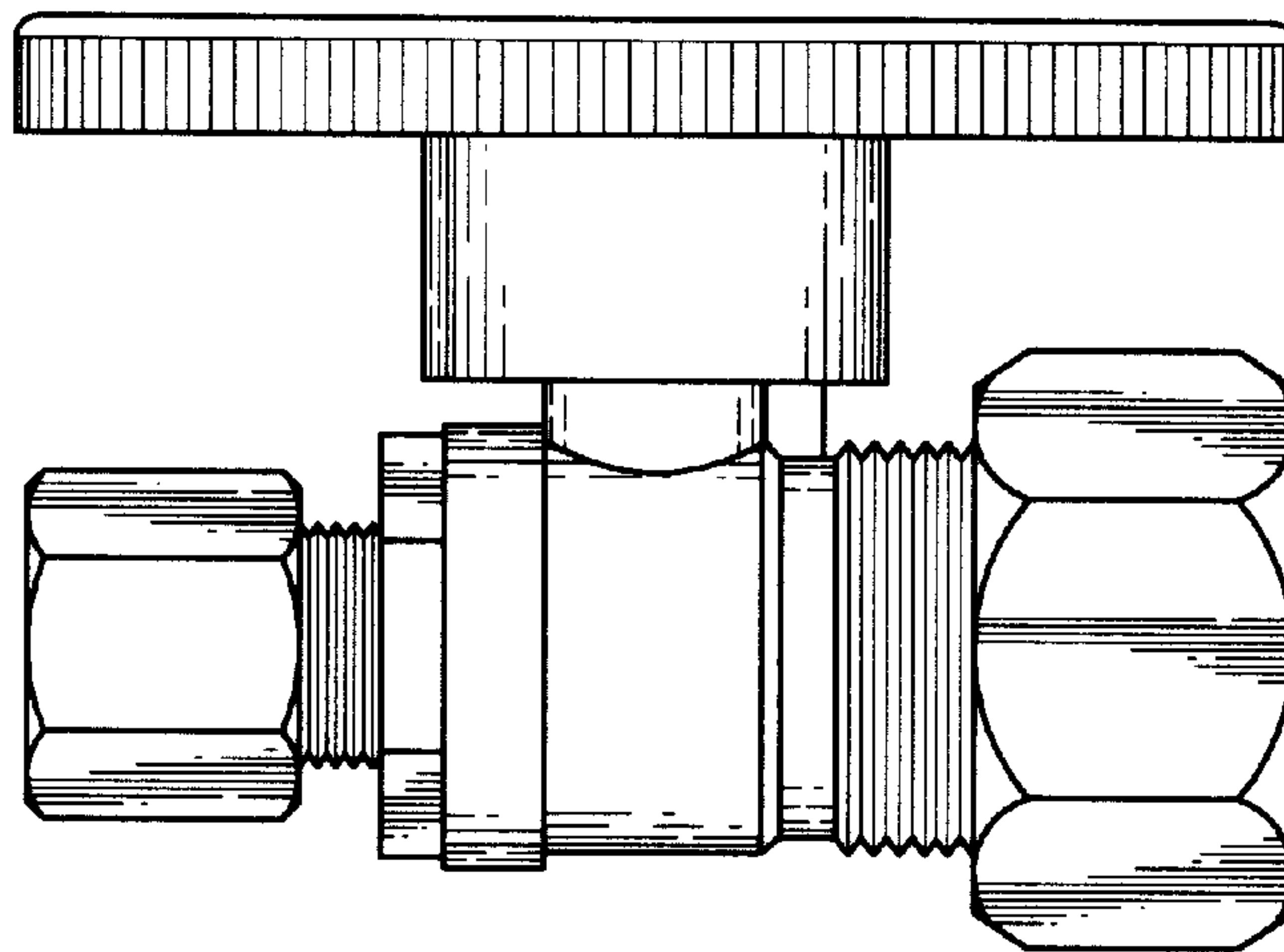


FIG.5

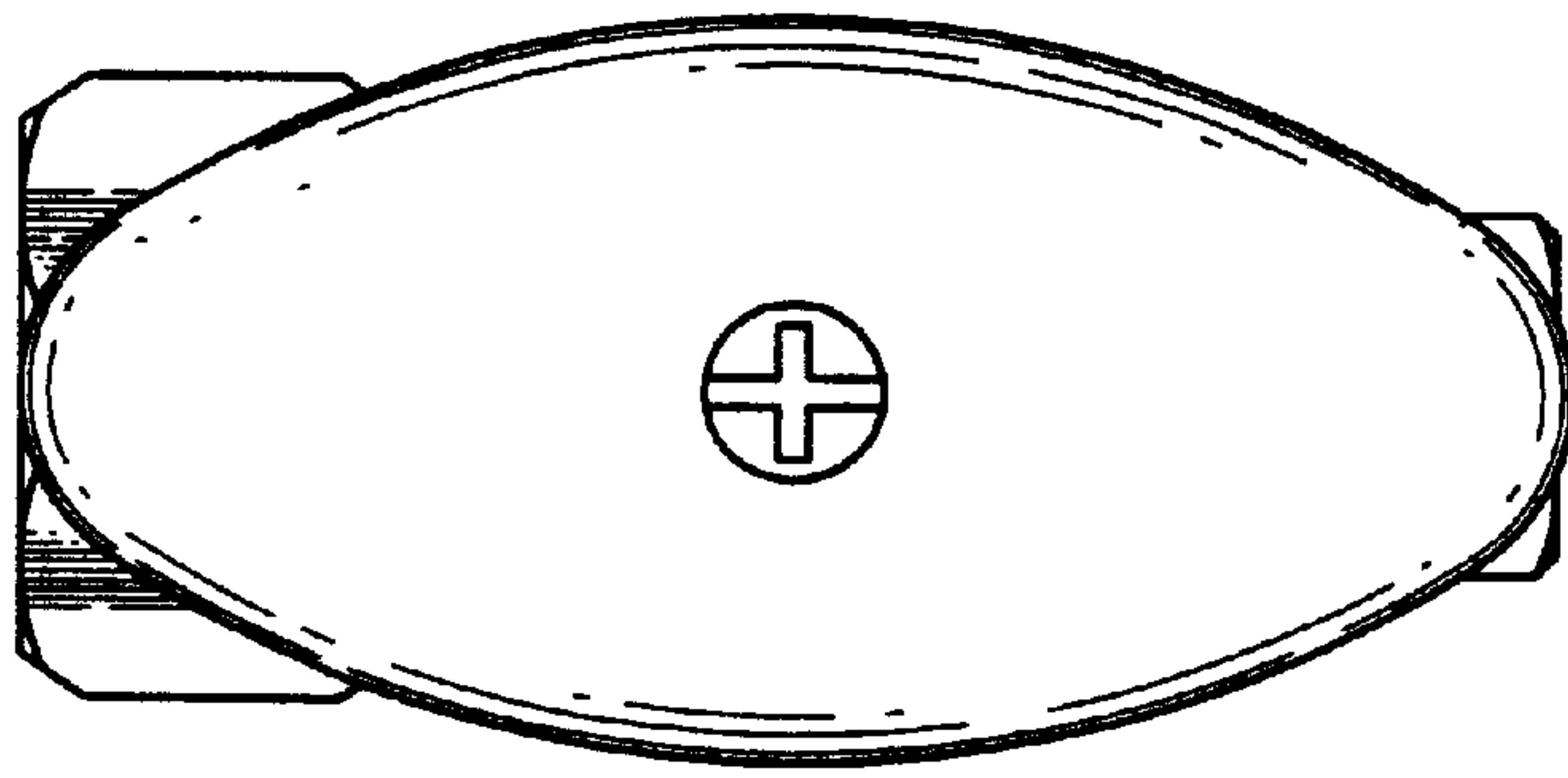


FIG. 6

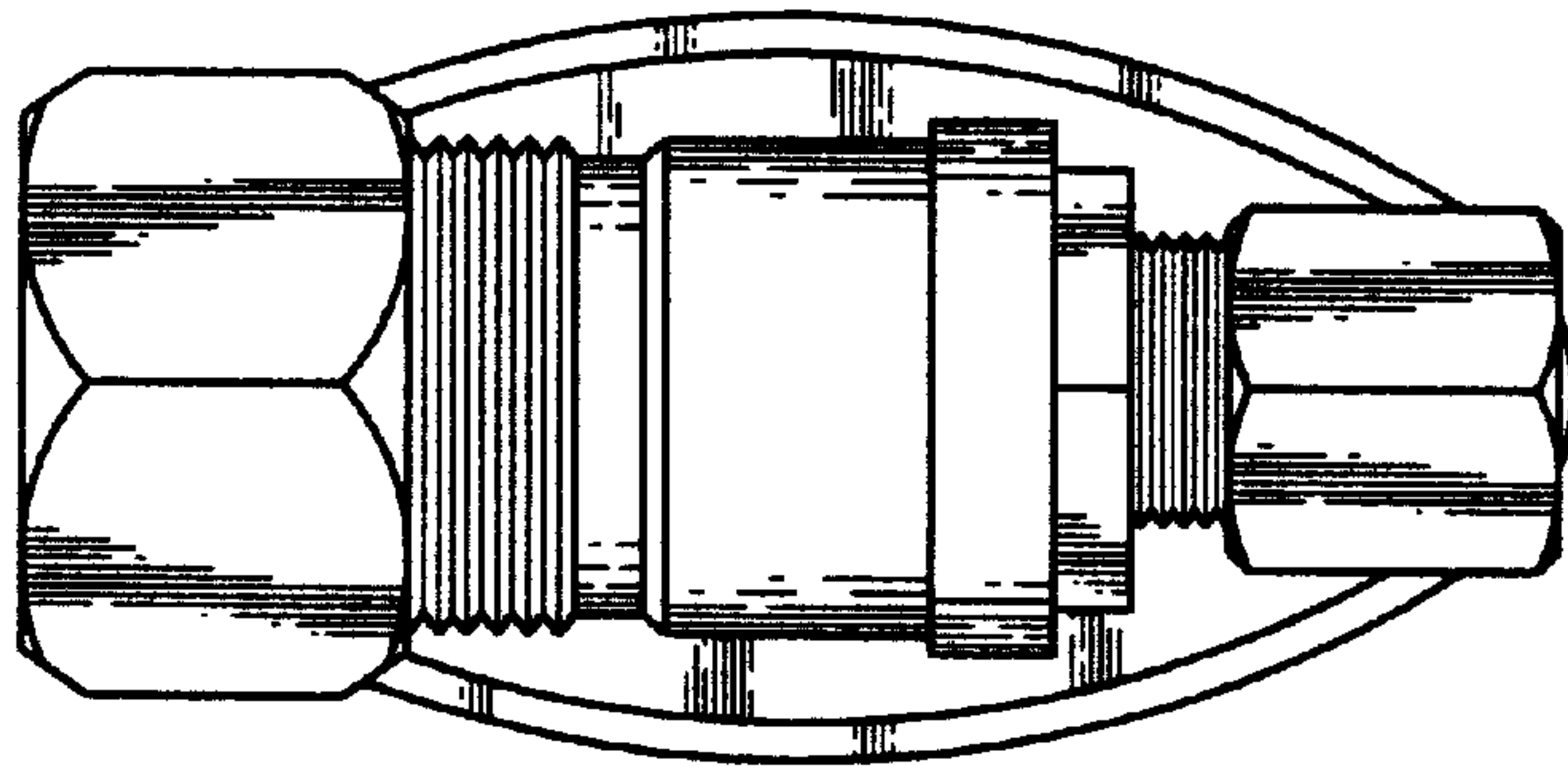


FIG. 7