



US00D473612S

(12) **United States Design Patent**
Rae

(10) **Patent No.:** **US D473,612 S**

(45) **Date of Patent:** **** Apr. 22, 2003**

(54) **KNIFE BLADE**

(75) Inventor: **Kit Rae**, Kodak, TN (US)

(73) Assignee: **United Cutlery, Inc.**, Sevierville, TN (US)

(**) Term: **14 Years**

(21) Appl. No.: **29/165,167**

(22) Filed: **Aug. 6, 2002**

(51) **LOC (7) Cl.** **22-02**

(52) **U.S. Cl.** **D22/118**

(58) **Field of Search** D22/118, 117,
D22/120; D8/98, 99, 95; D21/568; 30/340,
151, 342-344, 295

(56) **References Cited**

U.S. PATENT DOCUMENTS

D299,375 S	1/1989	Pipes	D22/188
D302,455 S	7/1989	Hibben	D22/118
D323,694 S	2/1992	Pipes	D22/188
D348,818 S	* 7/1994	Hasegawa	D8/99
5,440,814 A	8/1995	Hall et al.	30/295
D362,485 S	9/1995	Hall	D22/118
D363,109 S	10/1995	Hall	D22/118
D371,592 S	7/1996	Hall et al.	D22/118
D375,779 S	11/1996	Hibben	D22/118
D379,488 S	5/1997	Hibben	D22/118
D380,520 S	7/1997	Hibben	D22/118
D382,187 S	8/1997	Hibben	D8/76
D383,519 S	9/1997	Lainhart	D22/118
D406,308 S	3/1999	Hibben	D22/118
D409,269 S	* 5/1999	Carson et al.	D22/118
D430,258 S	8/2000	Hall et al.	D22/118
D430,917 S	9/2000	Hall et al.	D22/118

D434,466 S	11/2000	Hall et al.	D22/118
D446,571 S	* 8/2001	Frazer	D22/118
D452,895 S	1/2002	Rae et al.	D22/118
D461,217 S	8/2002	Hall et al.	D22/118
D461,868 S	8/2002	Hall et al.	D22/118

OTHER PUBLICATIONS

U.S. Cavalry Knives, 1994, p. 111, Catalog.
The Noble Collection, Winter 1997/1998, Historic Daggers,
No page listed, Catalog.
United Cutlery Brands, Catalog # 42, 2002, pp. 7, 19, 21,
29-30, 33-35, 39-45 and 51-60.

* cited by examiner

Primary Examiner—Catherine R. Oliver
(74) *Attorney, Agent, or Firm*—Needle & Rosenberg, PC.

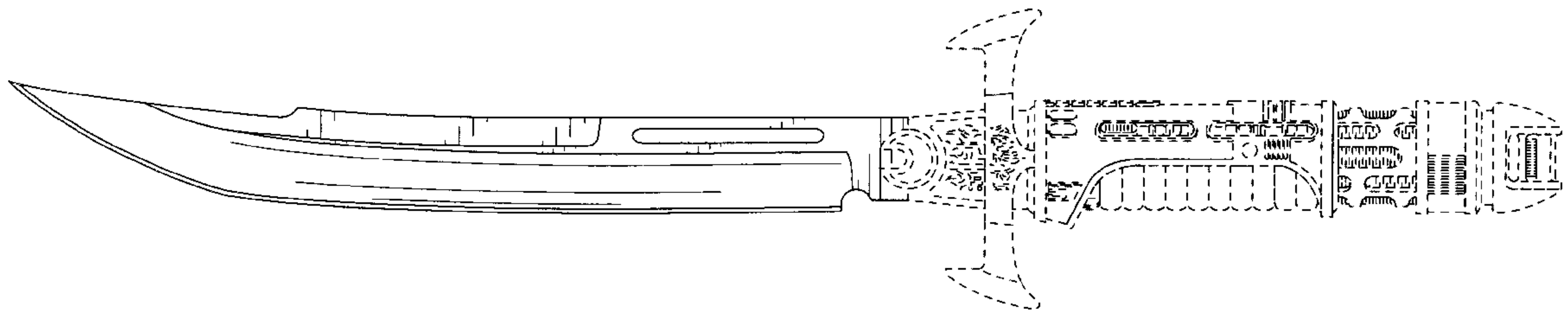
(57) **CLAIM**

The ornamental design for a knife blade, as shown and described.

DESCRIPTION

FIG. 1 is a left side elevational view of a knife blade with the knife handle depicted in phantom lines which forms no part of the claimed design for this invention, the right, opposite side of which is a mirror image thereof; FIG. 2 is a front elevational view of the knife blade of FIG. 1; FIG. 3 is a rear elevational view of the knife blade of FIG. 1; FIG. 4 is a top plan view of the knife blade of FIG. 1; and, FIG. 5 is a bottom plan view of the knife blade of FIG. 1. The broken lines shown are for illustrative purposes only and form no part of the claimed design.

1 Claim, 4 Drawing Sheets



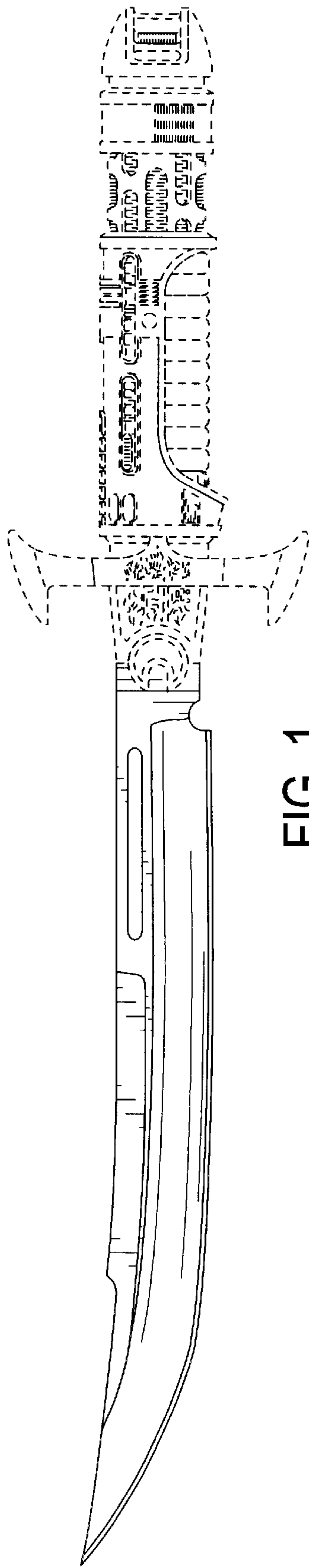


FIG. 1

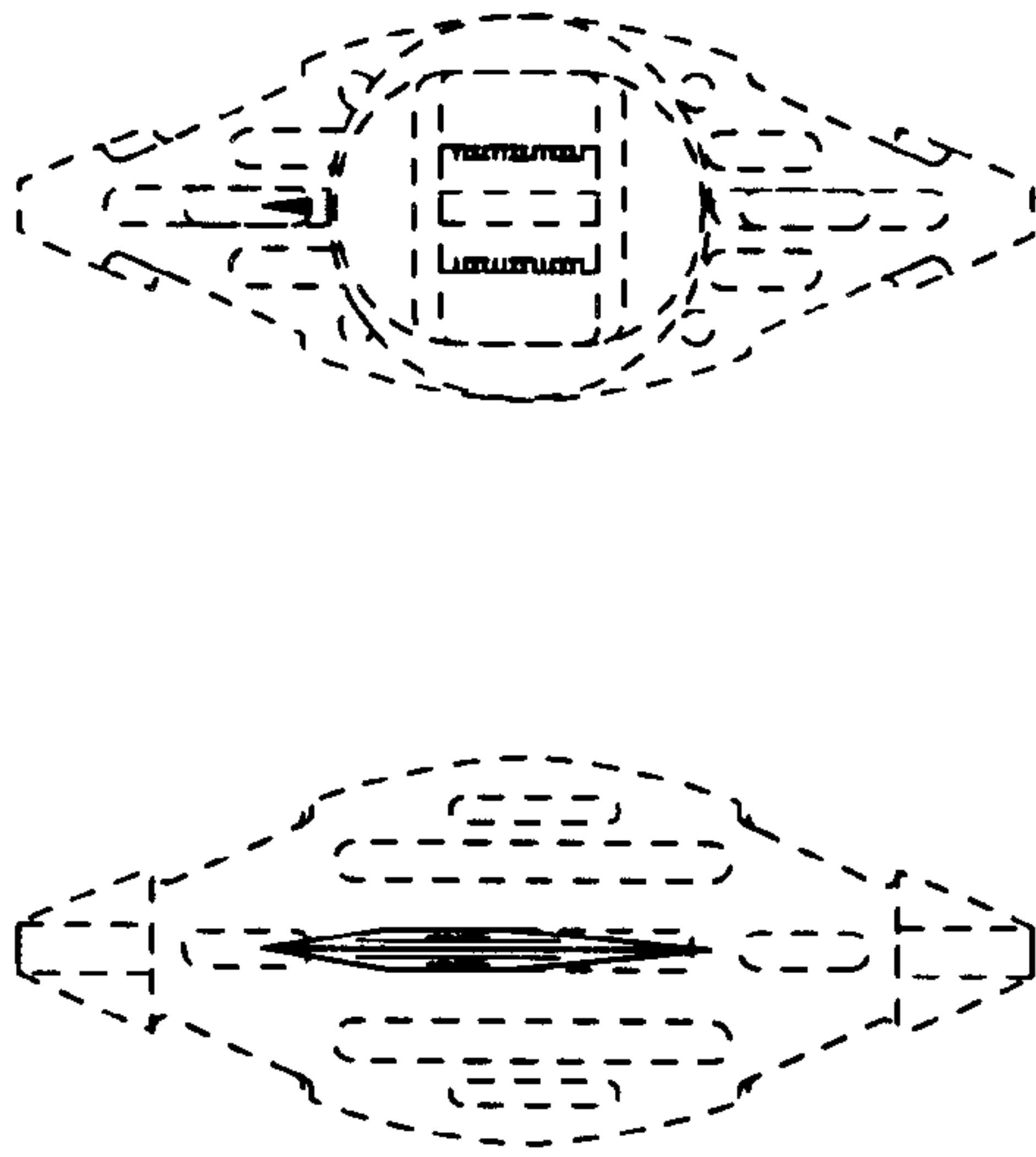


FIG. 2 FIG. 3

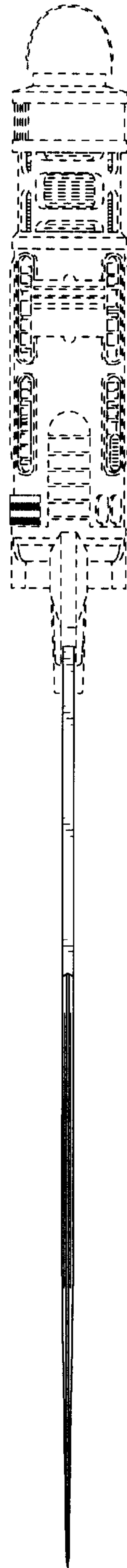


FIG. 4

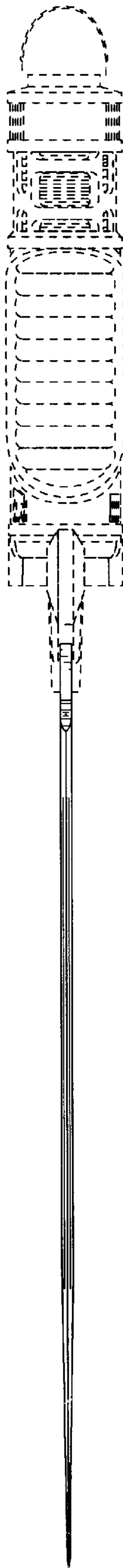


FIG. 5