



US00D473611S

(12) **United States Design Patent**  
**Rae**

(10) **Patent No.:** **US D473,611 S**

(45) **Date of Patent:** **\*\* Apr. 22, 2003**

(54) **KNIFE**  
(75) Inventor: **Kit Rae**, Kodak, TN (US)  
(73) Assignee: **United Cutlery, Inc.**, Sevierville, TN (US)  
(\*\*) Term: **14 Years**

D409,269 S	*	5/1999	Carson	.....	D22/118
D430,258 S		8/2000	Hall et al.	.....	D22/118
D430,917 S		9/2000	Hall et al.	.....	D22/118
D434,466 S		11/2000	Hall et al.	.....	D22/118
D446,571 S	*	8/2001	Frazer	.....	D22/118
D452,895 S		1/2002	Rae et al.	.....	D22/118
D461,217 S		8/2002	Hall et al.	.....	D22/118
D461,868 S		8/2002	Hall et al.	.....	D22/118

(21) Appl. No.: **29/165,130**  
(22) Filed: **Aug. 6, 2002**  
(51) **LOC (7) Cl.** ..... **22-02**  
(52) **U.S. Cl.** ..... **D22/118**  
(58) **Field of Search** ..... D22/118, 117,  
D22/120; D8/98, 99, 95; D21/568; 30/340,  
151, 342, 344, 295

**OTHER PUBLICATIONS**

U.S. Cavalry Knives, 1994, p. 111, Catalog.  
The Noble Collection, Winter 1997/1998, Historic Daggers,  
No page listed, Catalog.  
United Cutlery Brands, Catalog # 42, 2002, pp. 7, 19, 21,  
29–30, 33–35, 39–45 and 51–60.

\* cited by examiner

*Primary Examiner*—Catherine R. Oliver  
(74) *Attorney, Agent, or Firm*—Needle & Rosenberg, PC.

(56) **References Cited**

**U.S. PATENT DOCUMENTS**

D299,375 S	1/1989	Pipes	.....	D22/188
D302,455 S	7/1989	Hibben	.....	D22/118
D323,694 S	2/1992	Pipes	.....	D22/118
D348,818 S	* 7/1994	Hasegawa	.....	D8/99
5,440,814 A	8/1995	Hall et al.	.....	30/295
D362,485 S	9/1995	Hall	.....	D22/118
D363,109 S	10/1995	Hall	.....	D22/118
D371,592 S	7/1996	Hall et al.	.....	D22/118
D375,779 S	11/1996	Hibben	.....	D22/118
D379,488 S	5/1997	Hibben	.....	D22/118
D380,520 S	7/1997	Hibben	.....	D22/118
D382,187 S	8/1997	Hibben	.....	D8/76
D383,519 S	9/1997	Lainhart	.....	D22/118
D406,308 S	3/1999	Hibben	.....	D22/118

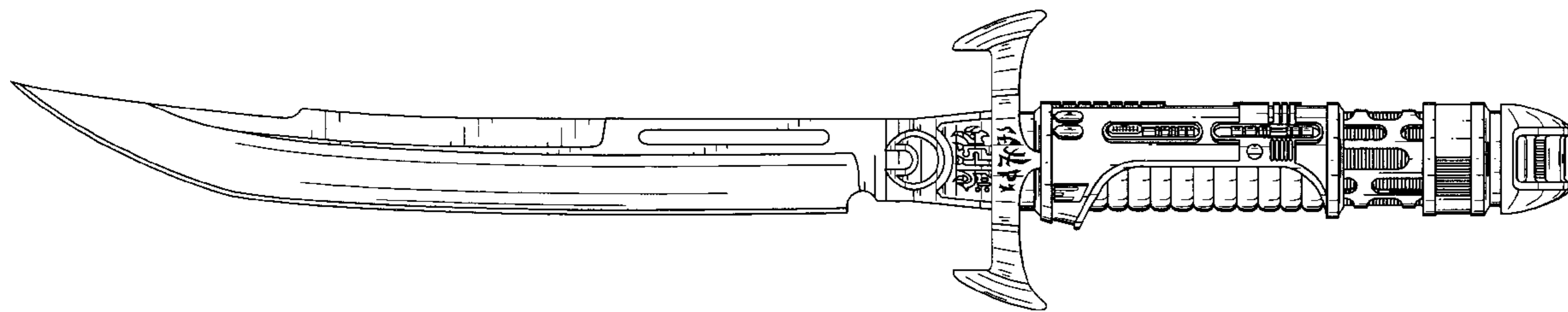
(57) **CLAIM**

The ornamental design for a knife, as shown and described.

**DESCRIPTION**

FIG. 1 is a left side elevational view of the design of the present invention for a knife;  
FIG. 2 is a right side elevational view of the knife handle of FIG. 1;  
FIG. 3 is a front elevational view of the knife of FIG. 1;  
FIG. 4 is a rear elevational view of the knife of FIG. 1;  
FIG. 5 is a top plan view of the knife of FIG. 1; and,  
FIG. 6 is a bottom plan view of the knife of FIG. 1.

**1 Claim, 5 Drawing Sheets**



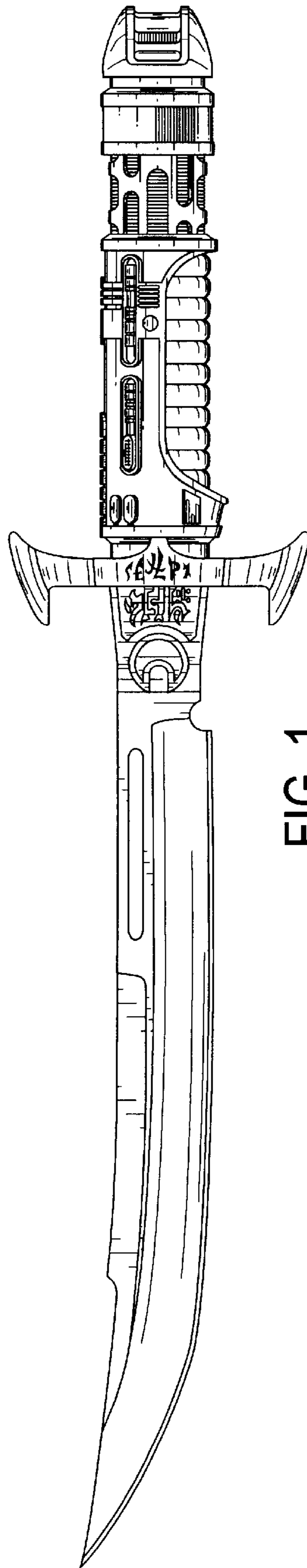


FIG. 1

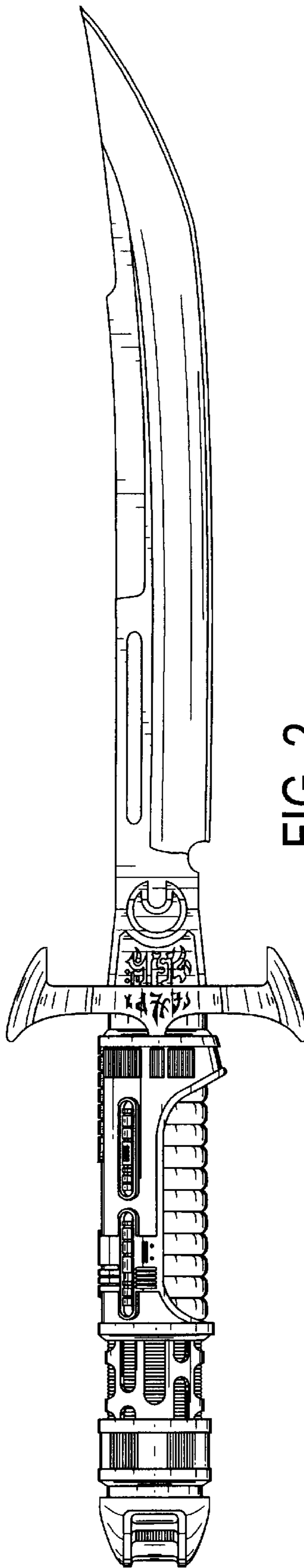


FIG. 2

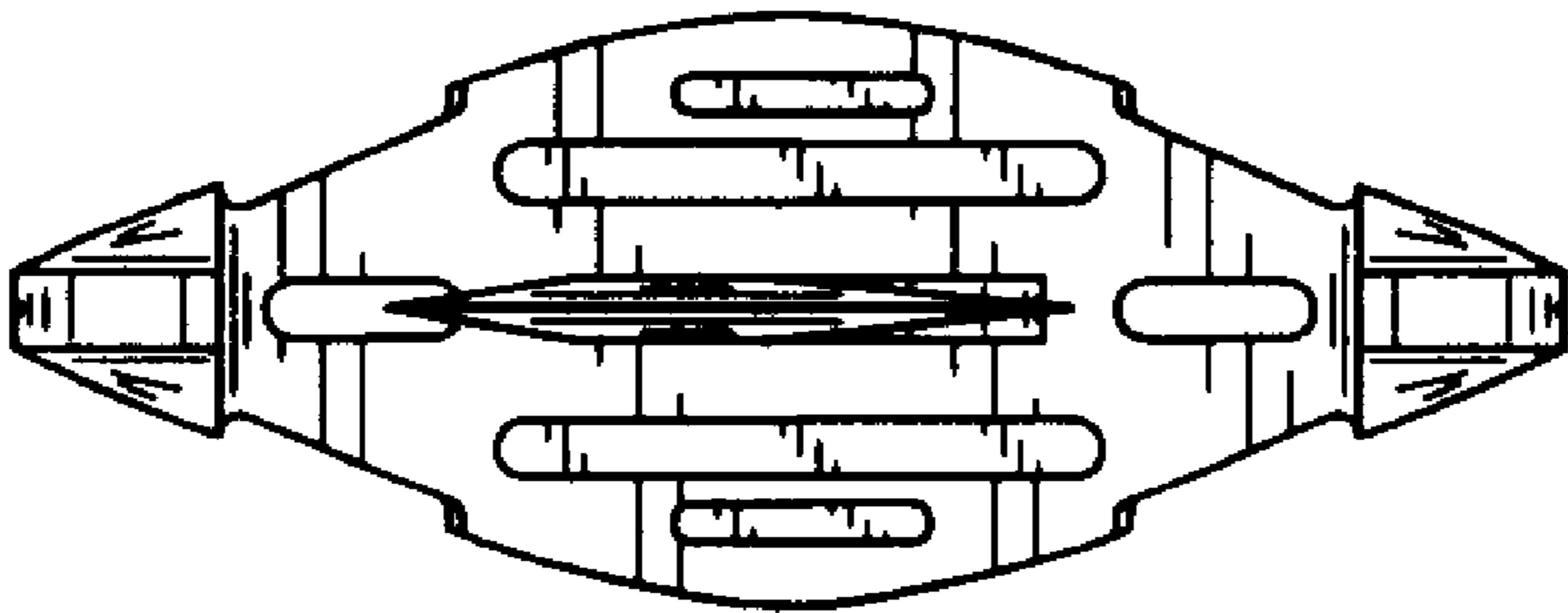
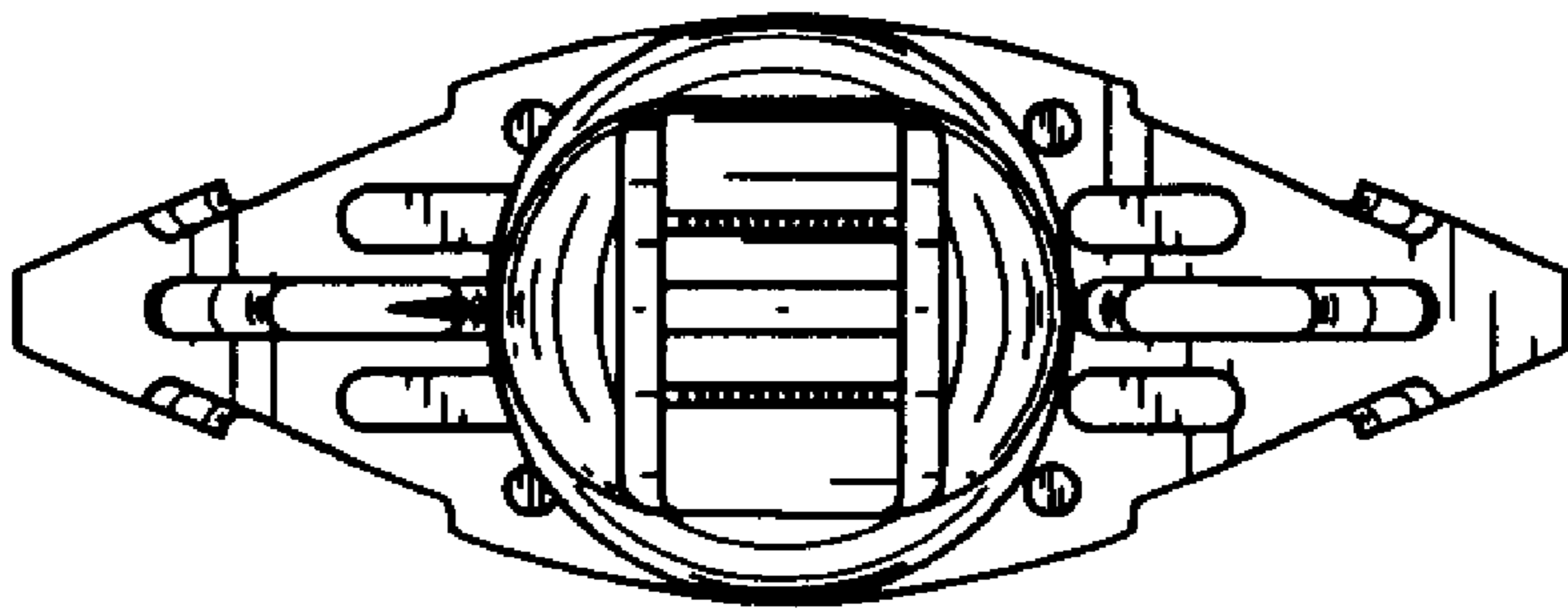


FIG. 3

FIG. 4

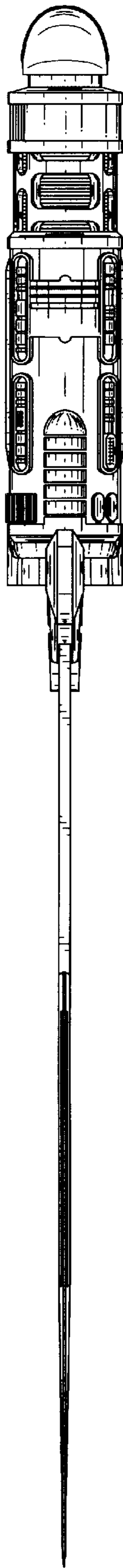


FIG. 5

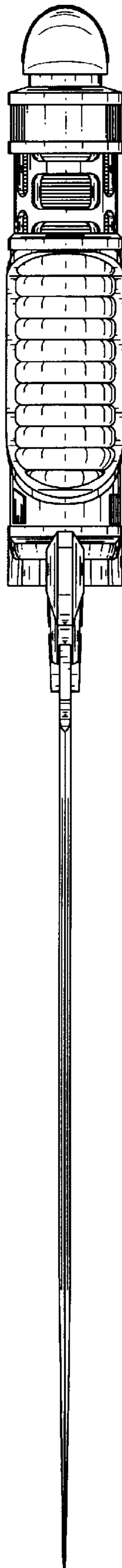


FIG. 6