



US00D473604S

(12) **United States Design Patent**
Antonious

(10) **Patent No.:** **US D473,604 S**

(45) **Date of Patent:** **** Apr. 22, 2003**

(54) **GOLF CLUB HEAD**

(76) Inventor: **Anthony J. Antonious**, 7738 Calle
Facil, Sarasota, FL (US) 34238

(**) Term: **14 Years**

(21) Appl. No.: **29/160,167**

(22) Filed: **May 7, 2002**

(51) **LOC (7) Cl.** **21-02**

(52) **U.S. Cl.** **D21/733**

(58) **Field of Search** D21/733, 752;
473/324, 327-331, 343, 344

(56) **References Cited**

U.S. PATENT DOCUMENTS

D185,717 S	*	7/1959	Newton	D21/733
5,193,810 A	*	3/1993	Antonious	473/327
D338,935 S	*	8/1993	Antonious	D21/733
5,505,448 A	*	4/1996	Park	473/327
5,511,786 A	*	4/1996	Antonious	473/327

* cited by examiner

Primary Examiner—Mitchell Siegel

(74) *Attorney, Agent, or Firm*—Welsh & Flaxman LLC

(57) **CLAIM**

The ornamental design for a golf club head, as shown and described.

DESCRIPTION

FIG. 1 is a front elevational view of a golf head showing my new design.

FIG. 2 is a front perspective view thereof.

FIG. 3 is a rear elevational view thereof.

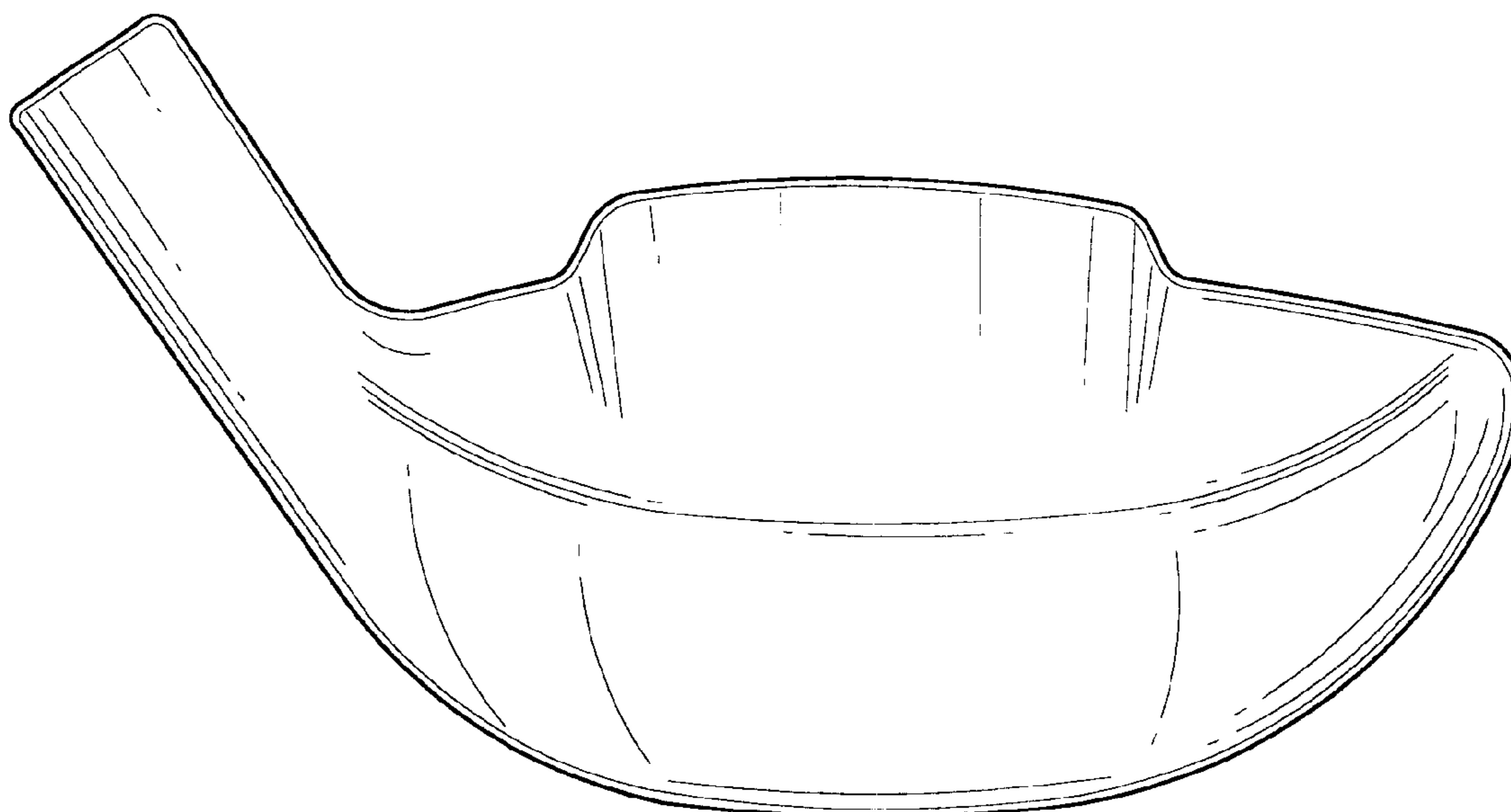
FIG. 4 is an end elevational view thereof.

FIG. 5 is a end elevational view taken from the opposite side of FIG. 4.

FIG. 6 is a top view thereof; and,

FIG. 7 is a bottom perspective view thereof.

1 Claim, 2 Drawing Sheets



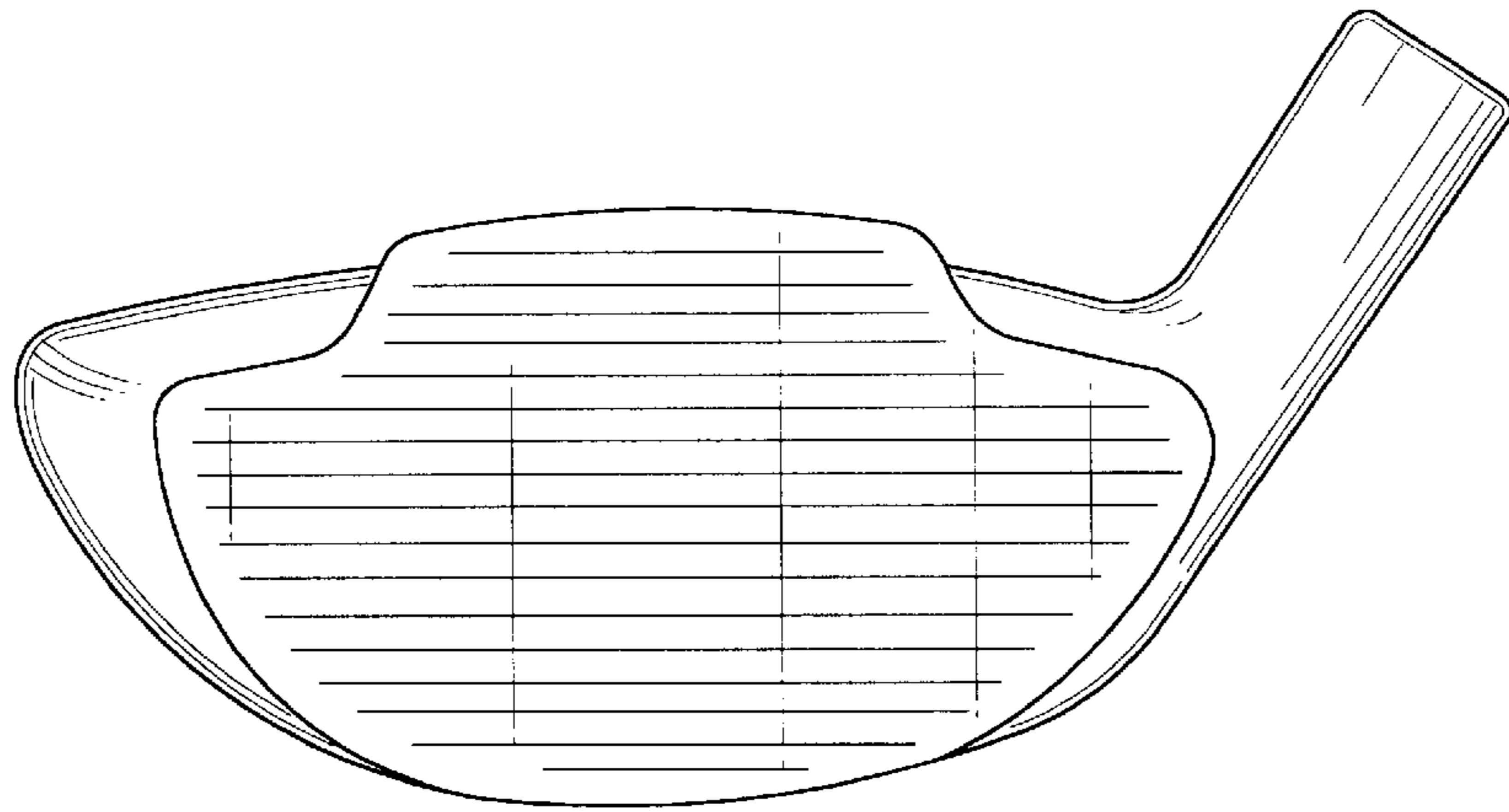


FIG. 1

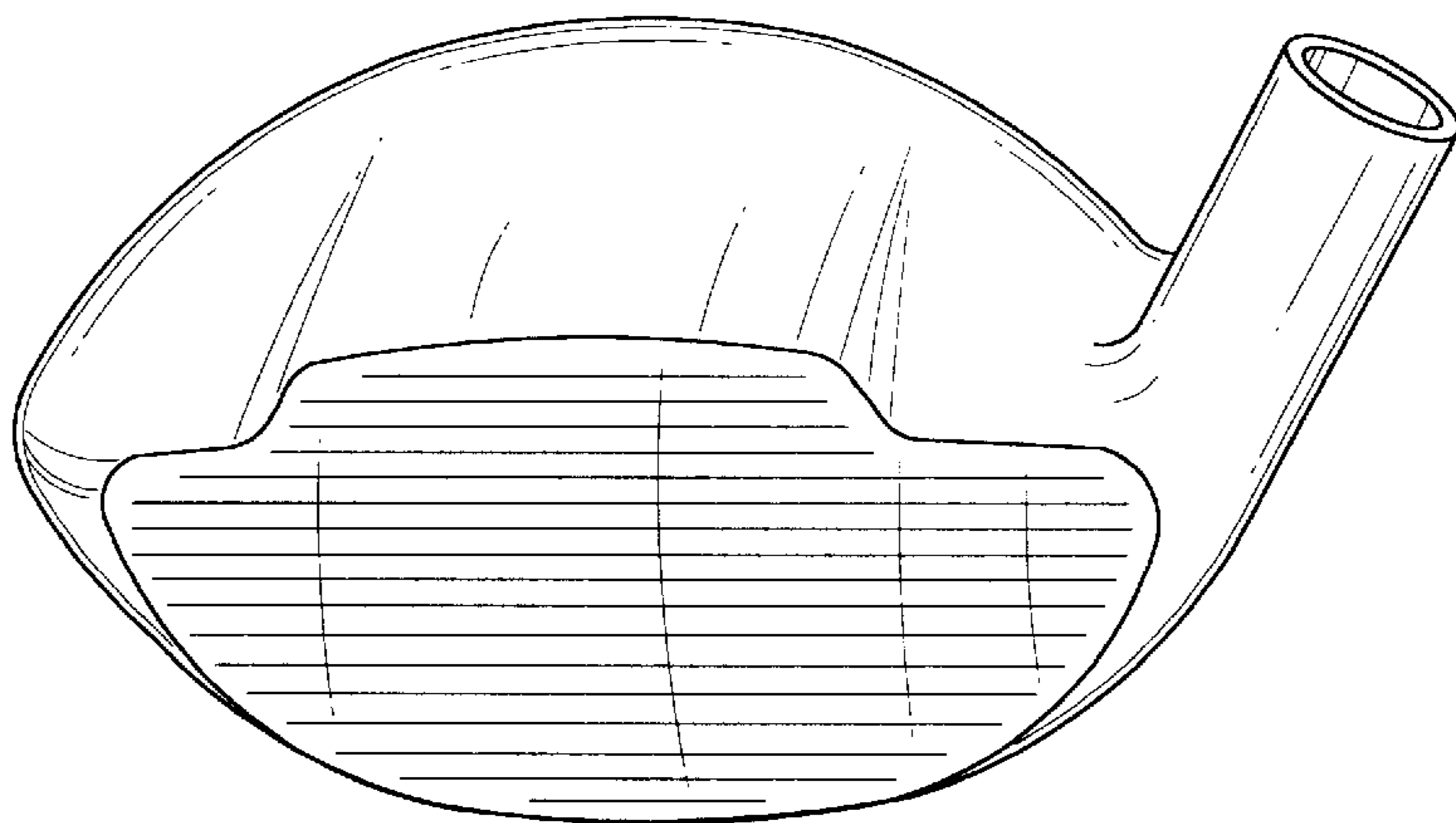


FIG. 2

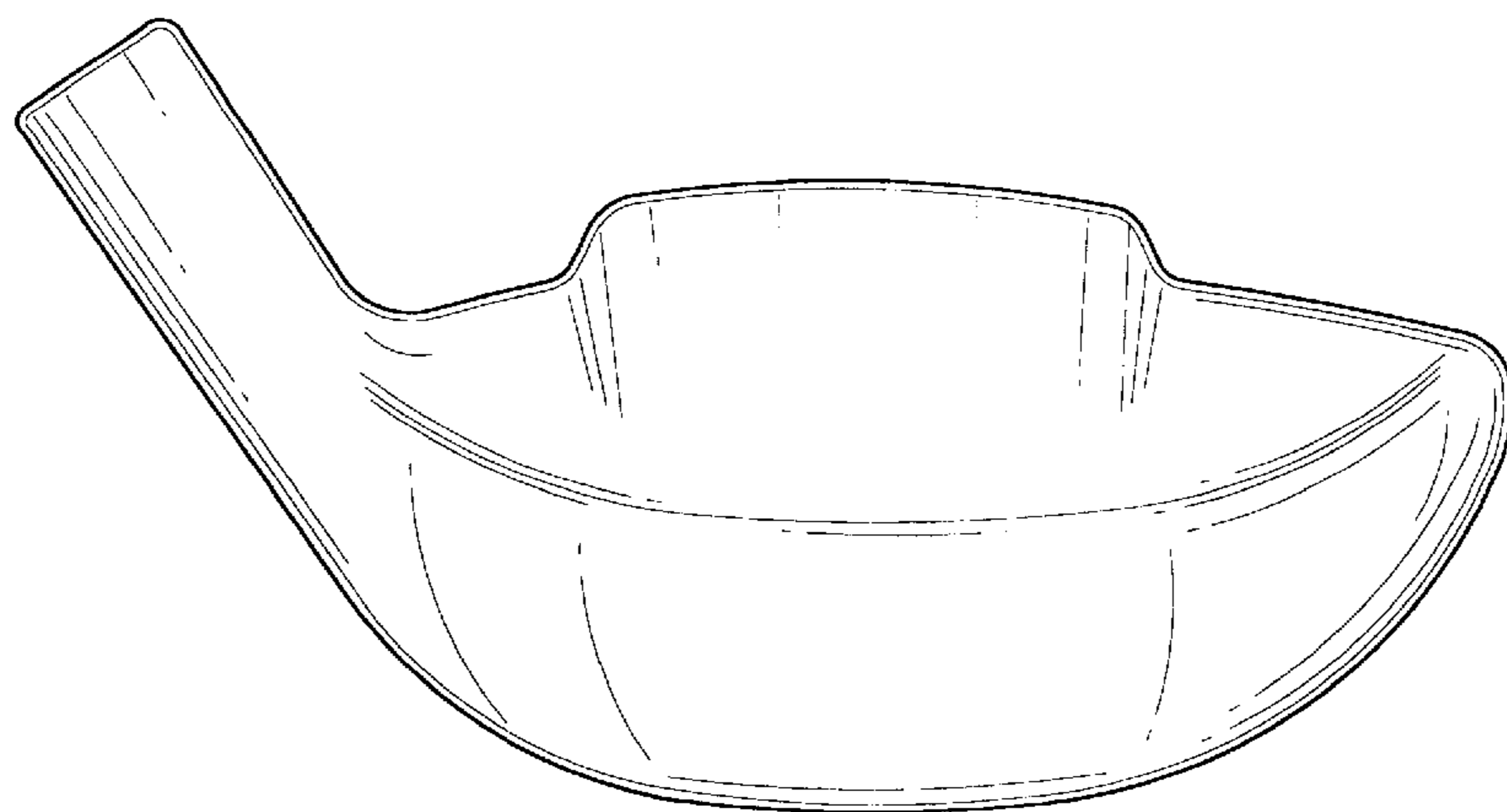


FIG. 3

FIG.4

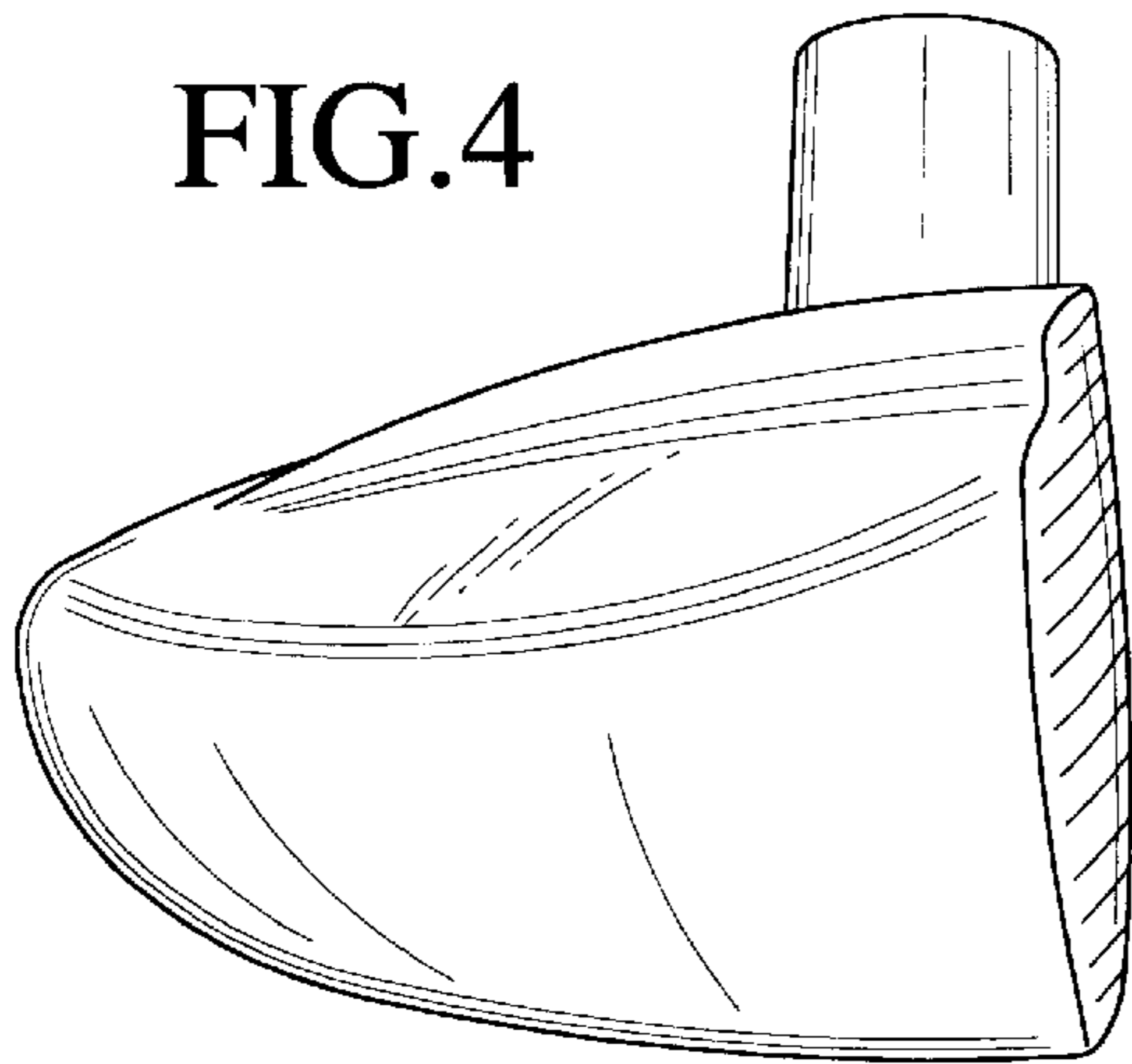


FIG.5

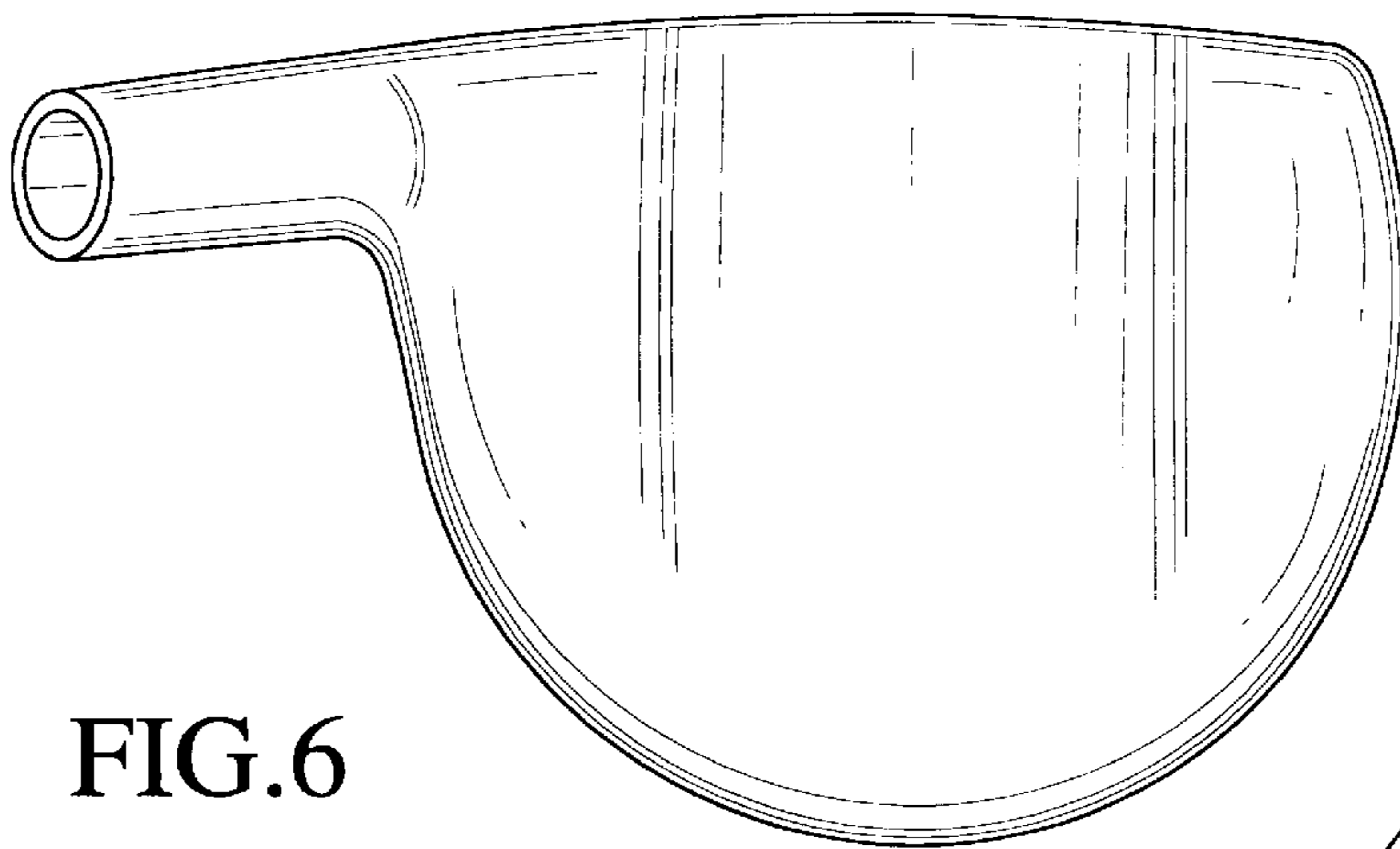
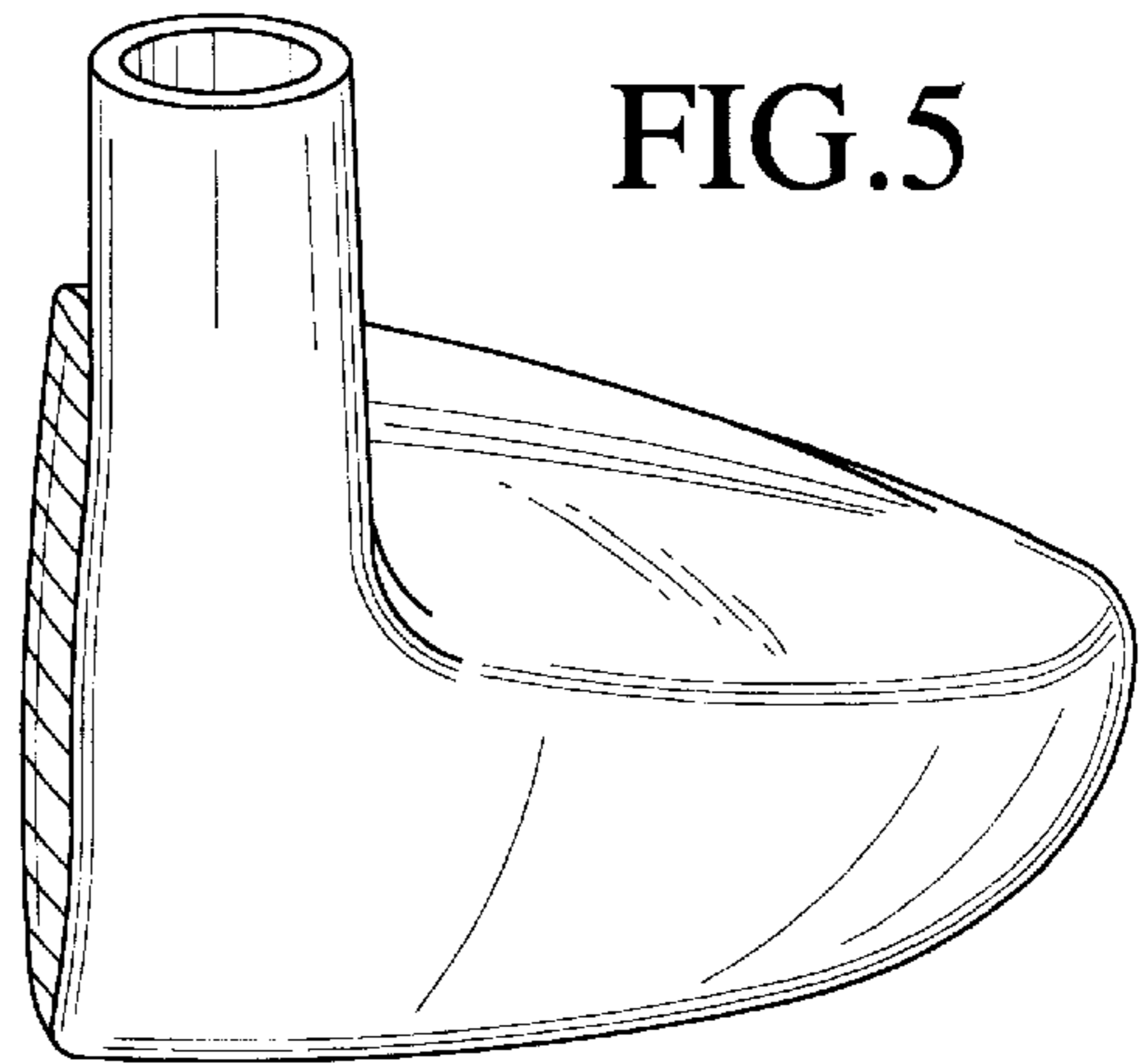


FIG.6

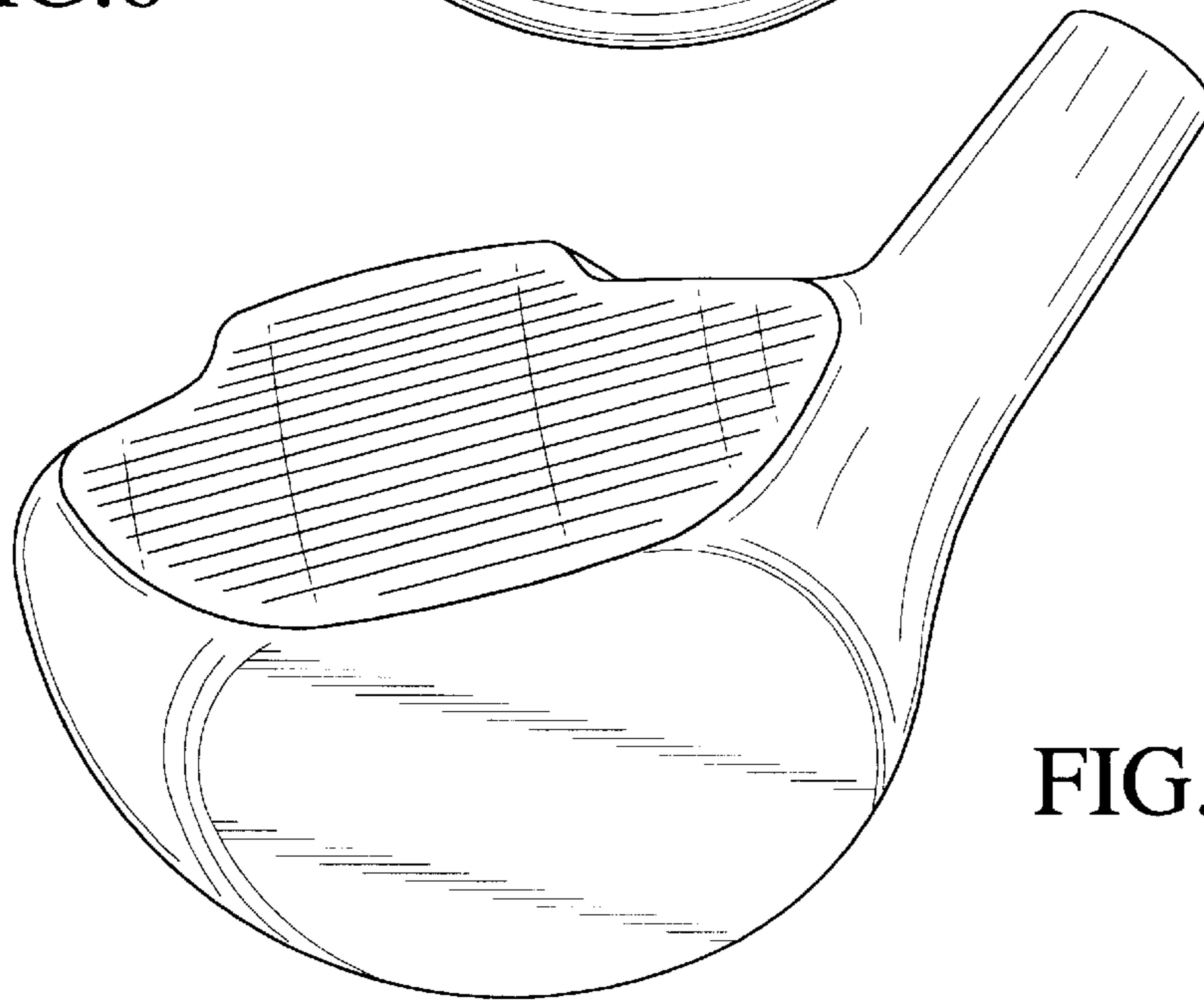


FIG.7