



US00D473603S

(12) **United States Design Patent**
Washington et al.

(10) **Patent No.:** **US D473,603 S**

(45) **Date of Patent:** **** Apr. 22, 2003**

(54) **FLUORESCENT BASKETBALL GOAL ASSEMBLY**

(76) Inventors: **Timothy S Washington**, 191 Eastmoreland Dr., Rochester, NY (US) 14620; **Lisa M Washington**, 191 Eastmoreland Dr., Rochester, NY (US) 14620

(**) Term: **14 Years**

(21) Appl. No.: **29/150,380**

(22) Filed: **Nov. 21, 2001**

(51) **LOC (7) Cl.** **21-02**

(52) **U.S. Cl.** **D21/702**

(58) **Field of Search** D21/302, 303, D21/305, 309, 398, 466, 506, 507, 530, 698, 699, 701-705, 781, 814; 473/415, 433, 447-449, 472, 476, 479-489; 273/317.3, 404, 407-410, DIG. 24

(56) **References Cited**

U.S. PATENT DOCUMENTS

D193,097 S	6/1962	Pohrer	
3,841,631 A	10/1974	Dolan	
D238,440 S	* 1/1976	Scarlotti D21/305
D301,045 S	* 5/1989	Wilson D21/305
D302,575 S	* 8/1989	Parrish D21/703
D322,635 S	* 12/1991	Poh D21/305
D324,925 S	* 3/1992	Locklear et al. D21/702 X
5,158,281 A	10/1992	Williams	

5,305,998 A	4/1994	Nesbit et al.	
5,346,207 A	9/1994	Heinen	
5,403,000 A	* 4/1995	Woosley 473/447
5,672,130 A	* 9/1997	O'Connell et al. 473/483
5,711,727 A	1/1998	Edge et al.	
D403,834 S	* 1/1999	Nulman D21/702
5,947,477 A	* 9/1999	Turnipseed 273/407
D431,272 S	* 9/2000	Graham D21/702
6,367,948 B2	* 4/2002	Branson 362/234

* cited by examiner

Primary Examiner—Ted Shooman

Assistant Examiner—C. Tuttle

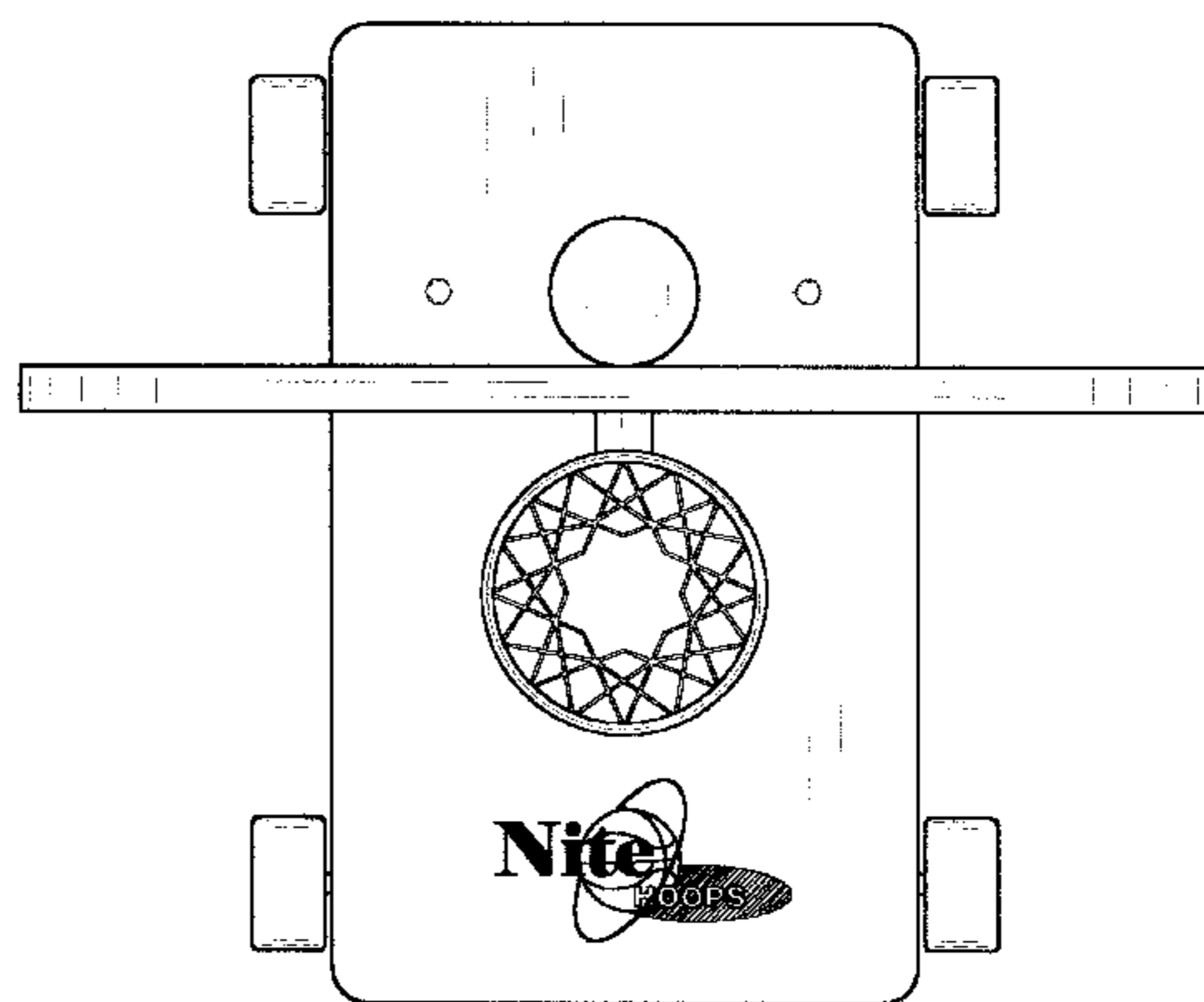
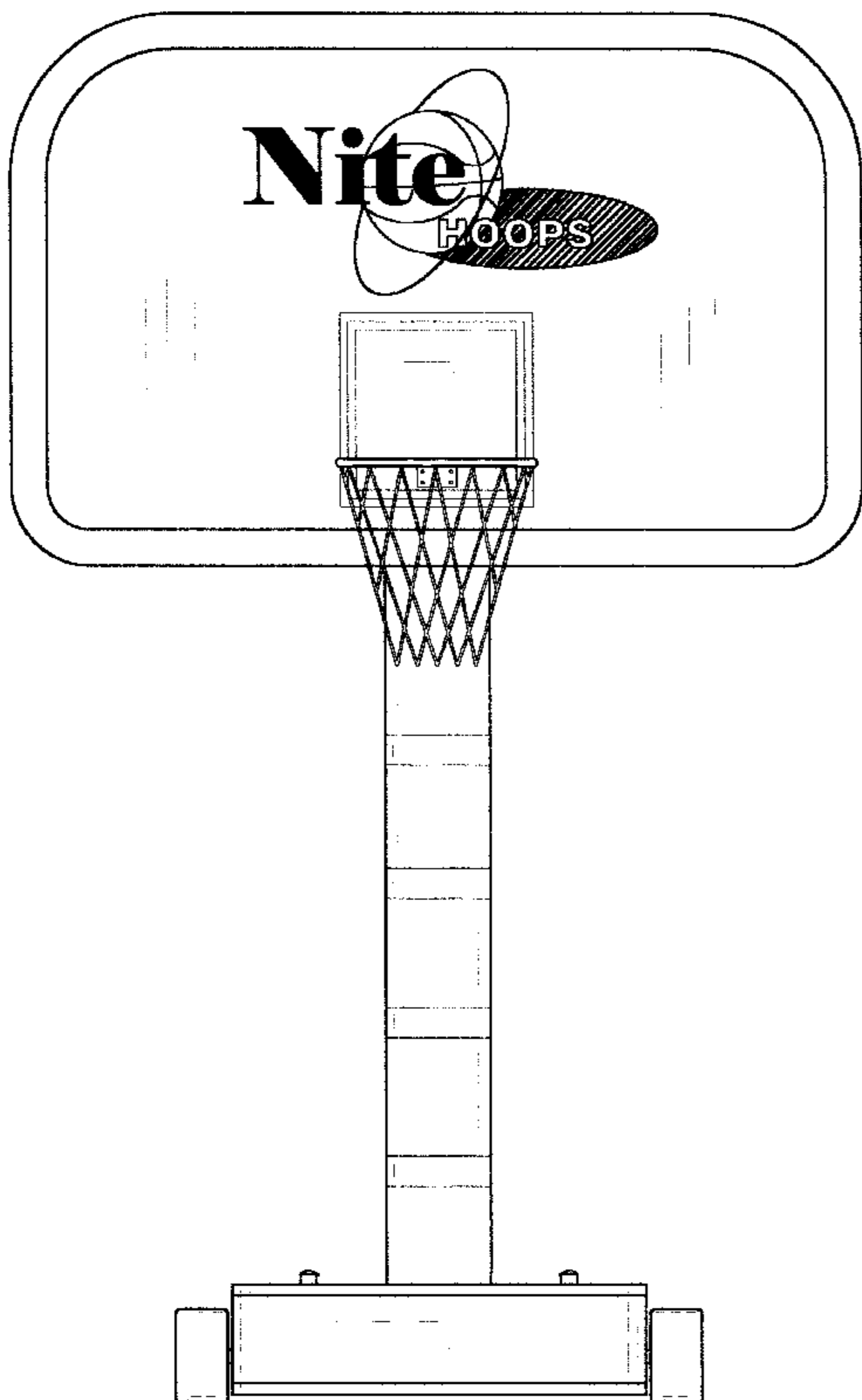
(57) **CLAIM**

The ornamental design for a fluorescent basketball goal assembly, as shown and described.

DESCRIPTION

FIG. 1 is a front elevational view of the fluorescent basketball goal assembly of the present invention;
 FIG. 2 is a rear elevational view of the fluorescent basketball goal assembly of FIG. 1;
 FIG. 3 is a left side elevational view of the fluorescent basketball goal assembly of FIG. 1, the right view being a mirror image thereof;
 FIG. 4 is a top plan view of the fluorescent basketball goal assembly of FIG. 1; and,
 FIG. 5 is a bottom plan view of the fluorescent basketball goal assembly of FIG. 1.

1 Claim, 4 Drawing Sheets



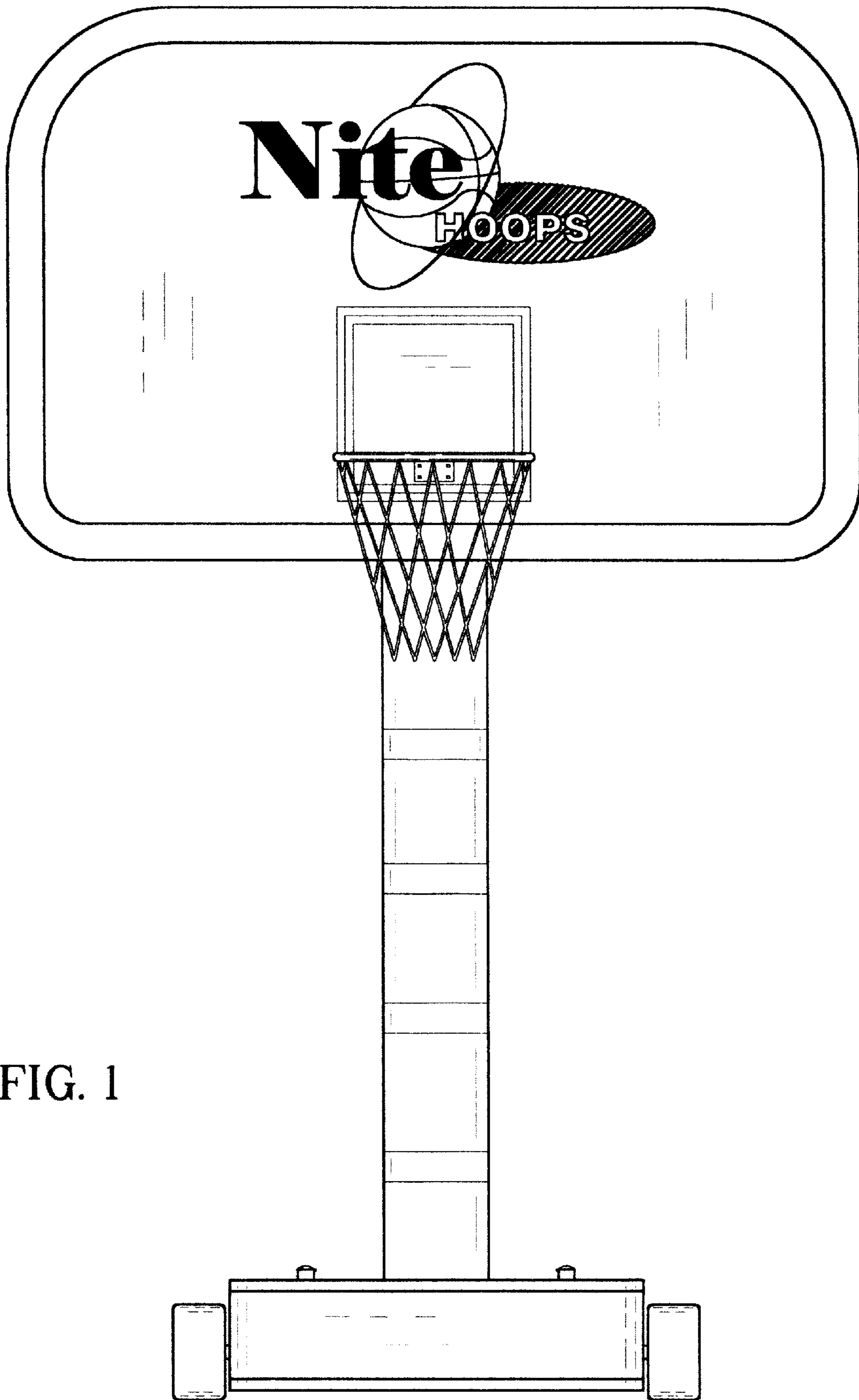


FIG. 1

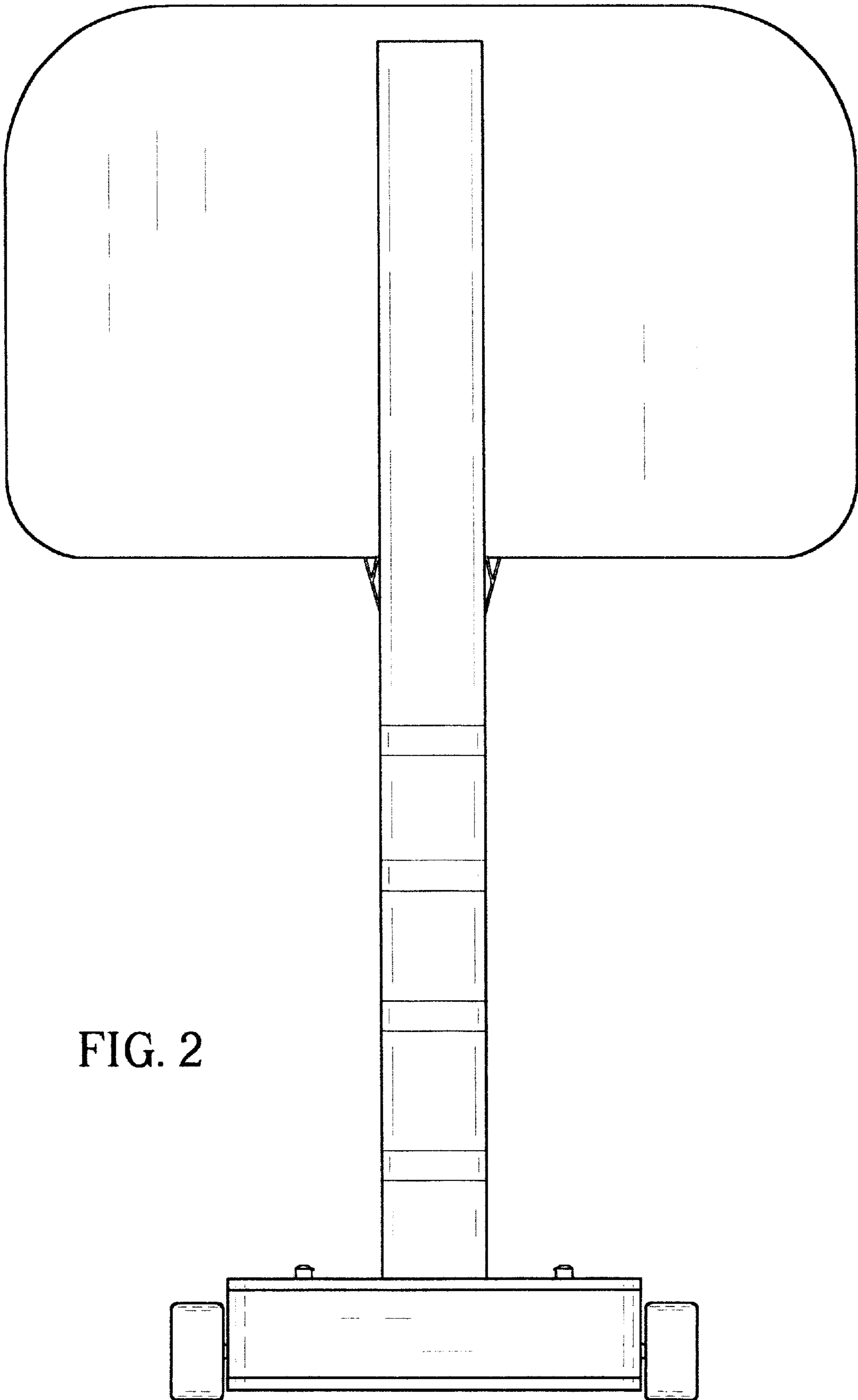
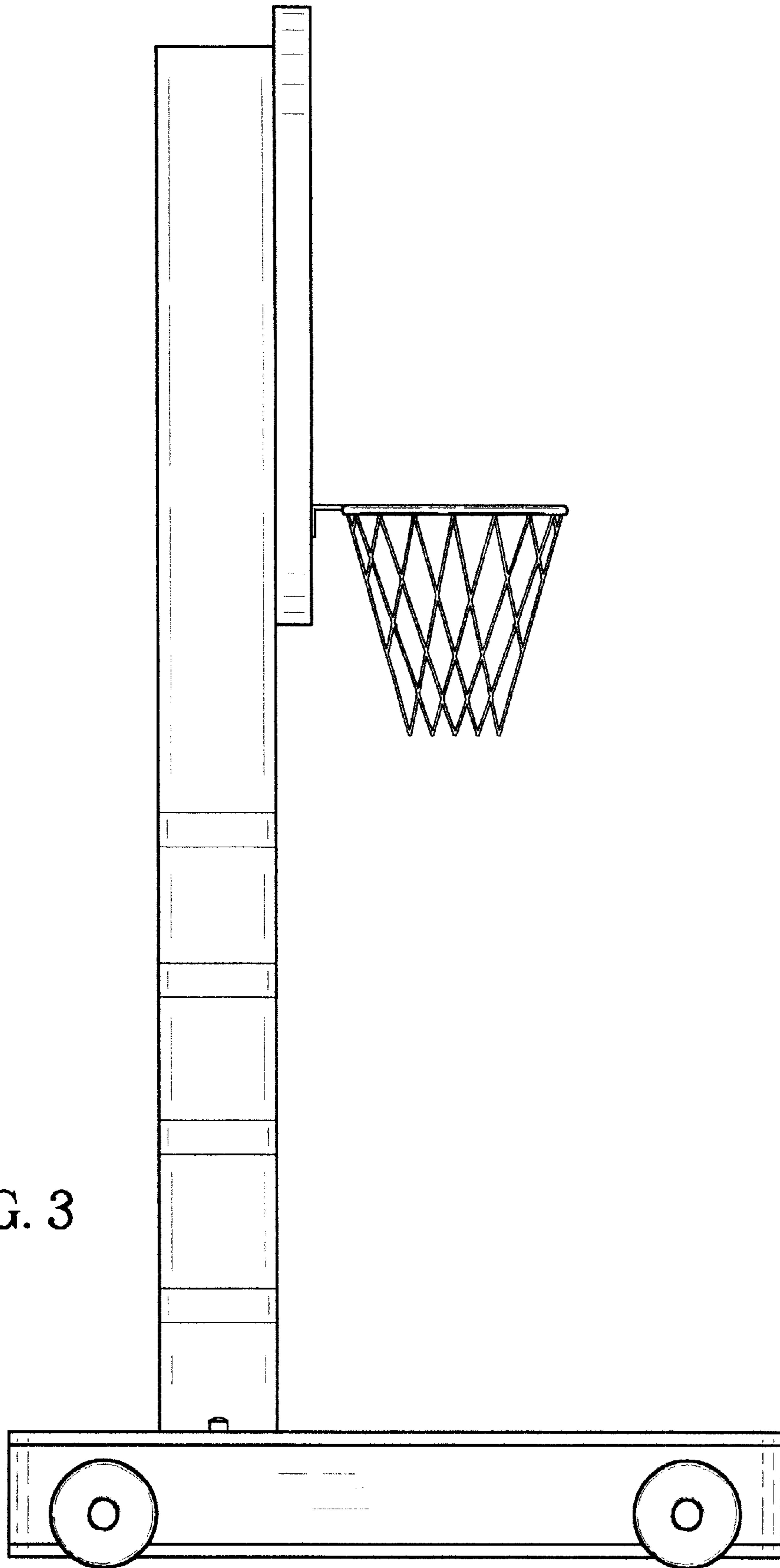


FIG. 2

FIG. 3



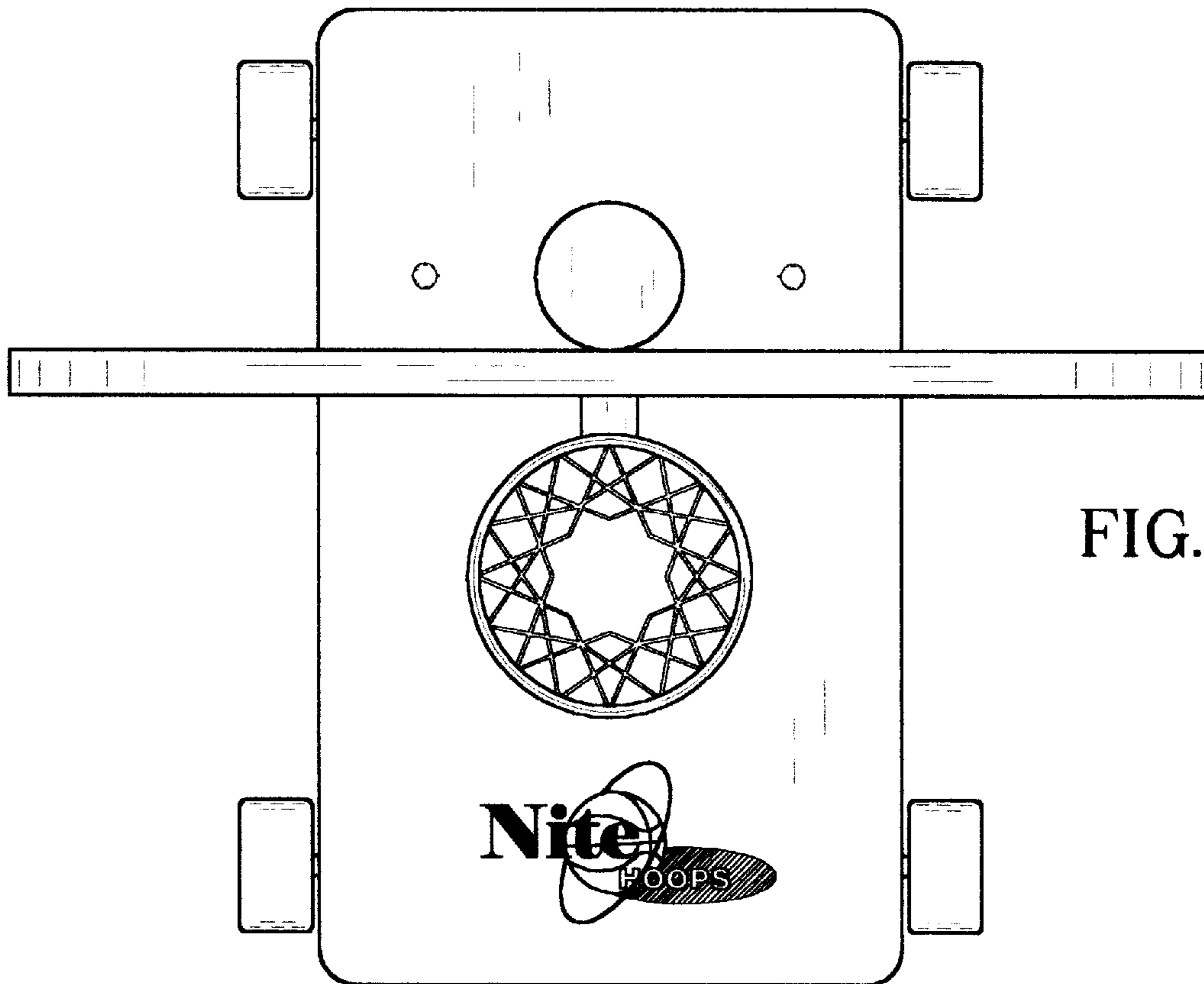


FIG. 4

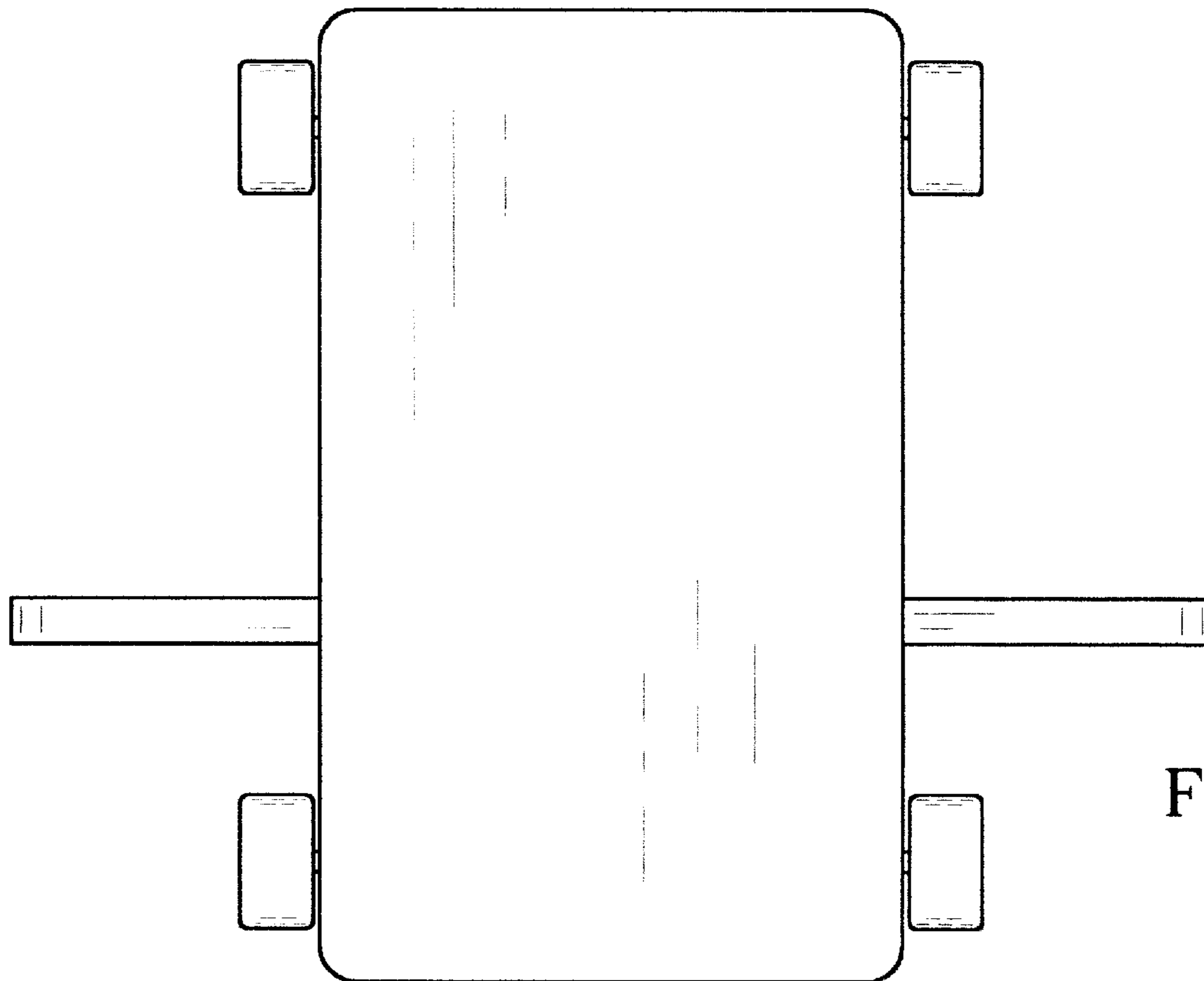


FIG. 5