



US00D473602S

(12) **United States Design Patent**  
**Baudhuin et al.**

(10) **Patent No.: US D473,602 S**

(45) **Date of Patent: \*\* Apr. 22, 2003**

(54) **STATIONARY EXERCISE BICYCLE**

(75) **Inventors: John Baudhuin, Santa Monica, CA (US); Johnny Goldberg, Montecito, CA (US)**

(73) **Assignee: Mad Dogg Athletics, Inc., Venice, CA (US)**

(\*\*) **Term: 14 Years**

(21) **Appl. No.: 29/156,790**

(22) **Filed: Mar. 7, 2002**

**Related U.S. Application Data**

(63) Continuation-in-part of application No. 09/672,197, filed on Sep. 28, 2000, now Pat. No. 6,468,185, which is a continuation of application No. 09/019,352, filed on Feb. 5, 1998, now Pat. No. 6,155,958, which is a continuation of application No. 08/736,976, filed on Oct. 25, 1996, now Pat. No. 5,722,916, which is a continuation of application No. 08/391,438, filed on Feb. 21, 1995, now abandoned, which is a continuation of application No. 07/969,765, filed on Oct. 30, 1992, now Pat. No. 5,423,728.

(51) **LOC (7) Cl. .... 21-02**

(52) **U.S. Cl. .... D21/697; D21/667**

(58) **Field of Search .... D21/662, 663, D21/664, 665, 666, 667, 668, 669, 694, 697; 482/51, 57, 64, 65**

(56) **References Cited**

**U.S. PATENT DOCUMENTS**

562,198 A	6/1896	Robinson .....	482/57
588,166 A	8/1897	McCoy .....	74/551.1
633,534 A	9/1899	Read .....	280/261
635,082 A	10/1899	Stiles .....	280/261
671,785 A	4/1901	Young et al. ....	482/57
1,336,774 A	4/1920	Cooper .....	482/57
1,507,554 A	9/1924	Cooper .....	482/57
1,636,327 A	7/1927	Roe .....	474/144
3,062,204 A	11/1962	Stefano .....	601/36
3,511,097 A	5/1970	Corwin .....	73/379.07
D251,747 S	5/1979	Valentine et al. ....	D21/697

4,188,030 A	2/1980	Hooper .....	482/59
D280,117 S	8/1985	Collins .....	D21/697
D280,118 S	8/1985	Collins .....	D21/697
4,577,860 A	3/1986	Matias .....	482/57
D284,596 S	7/1986	McNeil .....	D21/697
4,632,386 A	12/1986	Beech .....	482/57
D289,782 S	5/1987	Szymiski et al. ....	D21/697
D291,462 S	8/1987	Aalto .....	D21/667
D292,304 S	10/1987	Ostrom .....	D21/697
4,768,777 A	9/1988	Yang .....	482/57
4,772,069 A	9/1988	Szymiski .....	297/311
4,824,102 A	4/1989	Lo .....	482/59
4,880,225 A	11/1989	Lucas et al. ....	482/59
4,902,001 A	2/1990	Balbo .....	482/62
4,915,374 A	4/1990	Watkins .....	482/57
4,936,570 A	6/1990	Szymiski et al. ....	482/57
5,000,469 A	3/1991	Smith .....	280/261
5,145,477 A	9/1992	Han .....	482/57
5,232,422 A	8/1993	Bishop, Jr. ....	482/57
5,336,147 A	8/1994	Sweeney, III .....	482/57
5,423,728 A	6/1995	Goldberg .....	482/57
D382,924 S *	8/1997	Wu .....	D21/663
D382,925 S *	8/1997	Wu .....	D21/663

\* cited by examiner

*Primary Examiner*—Philip S. Hyder

(74) *Attorney, Agent, or Firm*—Jones Day

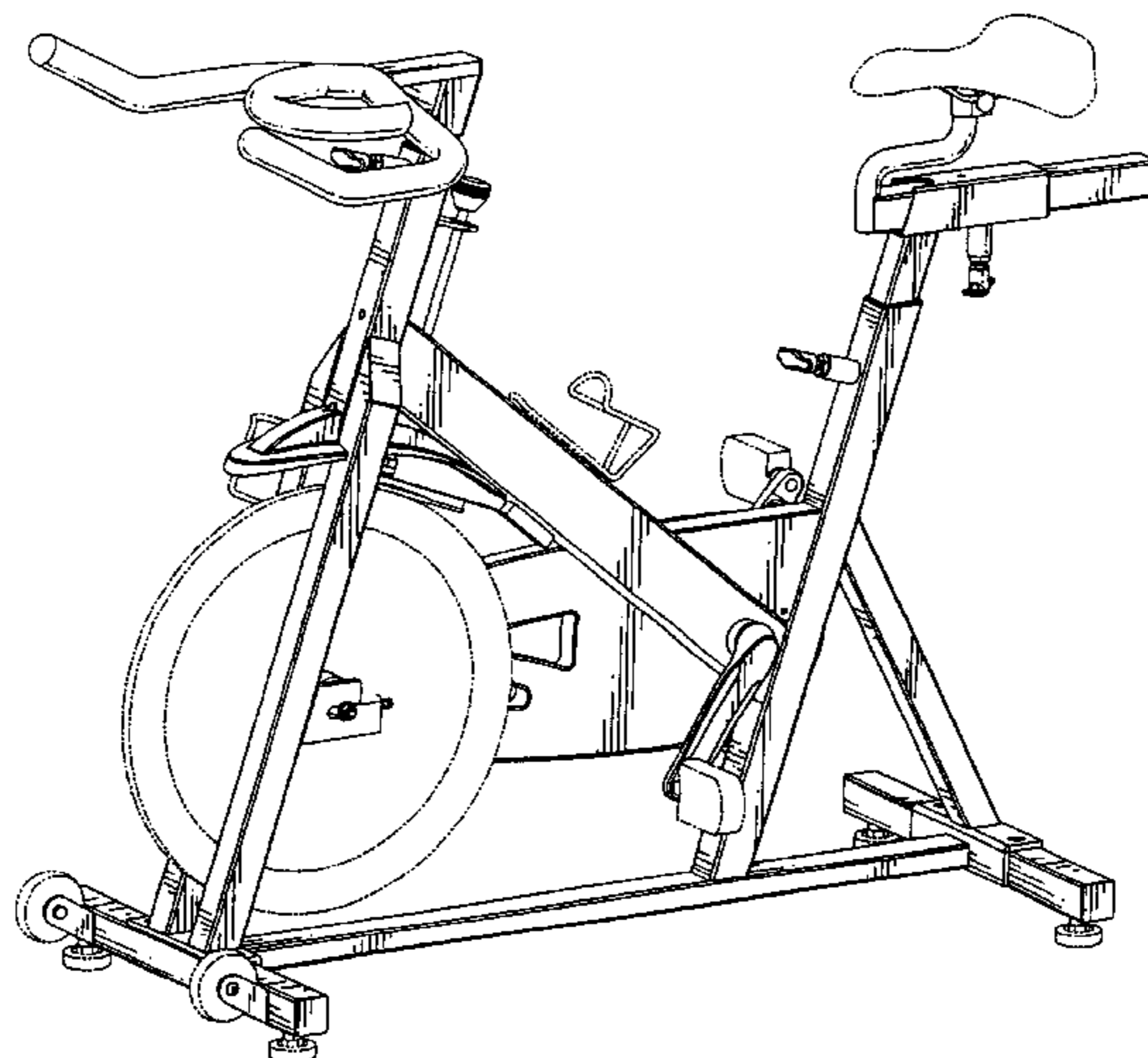
(57) **CLAIM**

The ornamental design for a stationary exercise bicycle, as shown and described.

**DESCRIPTION**

FIG. 1 is a perspective view of a stationary exercise bicycle showing our new design; FIG. 2 is a right side view of FIG. 1; FIG. 3 is a left side view of FIG. 1; FIG. 4 is a front view of FIG. 1; FIG. 5 is a rear view of FIG. 1; and, FIG. 6 is a top view of FIG. 1. The broken line portions of the disclosure are for illustrative purposes only and form no part of the claimed design.

**1 Claim, 3 Drawing Sheets**



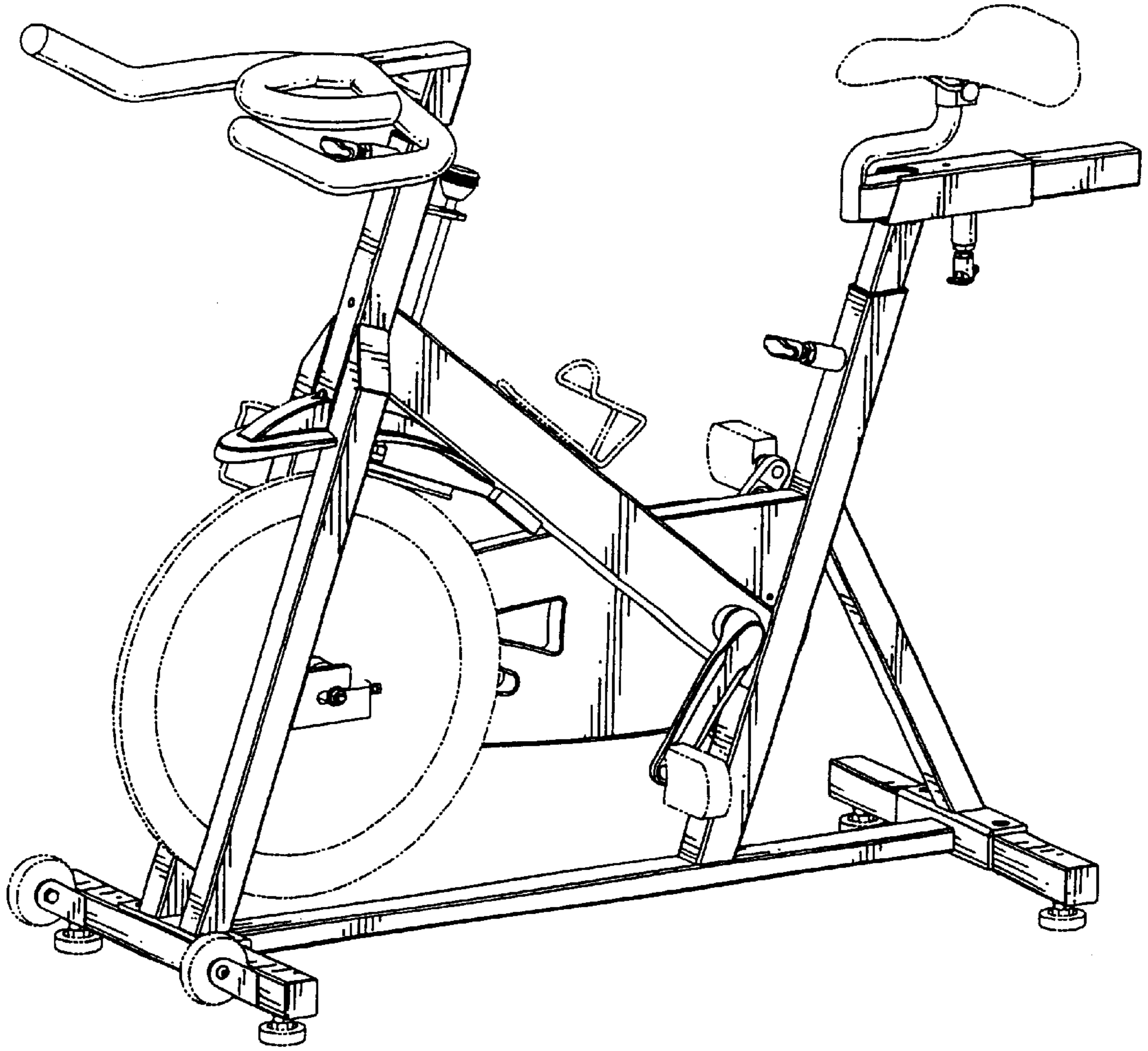


Fig. 1

Fig. 2

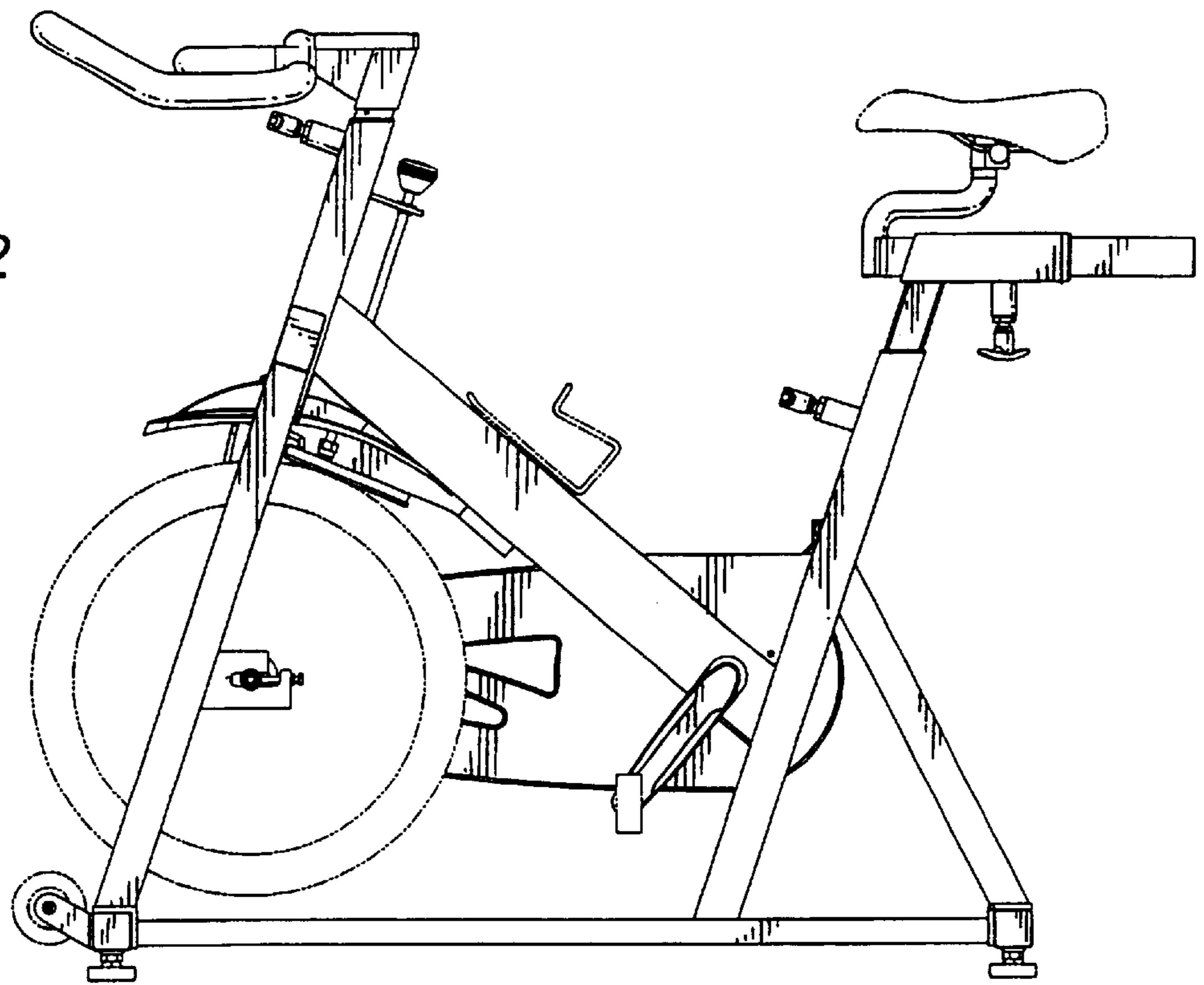
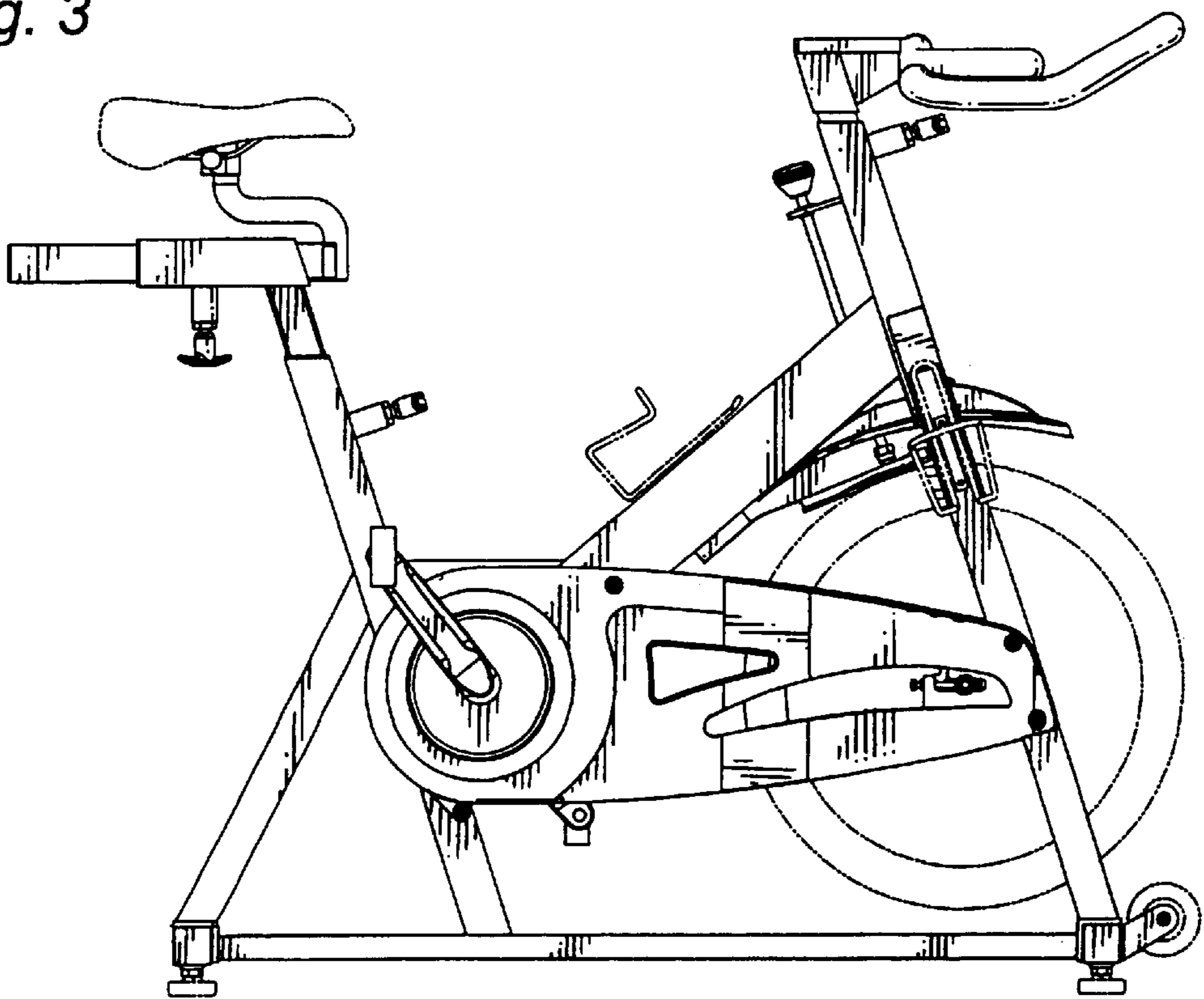
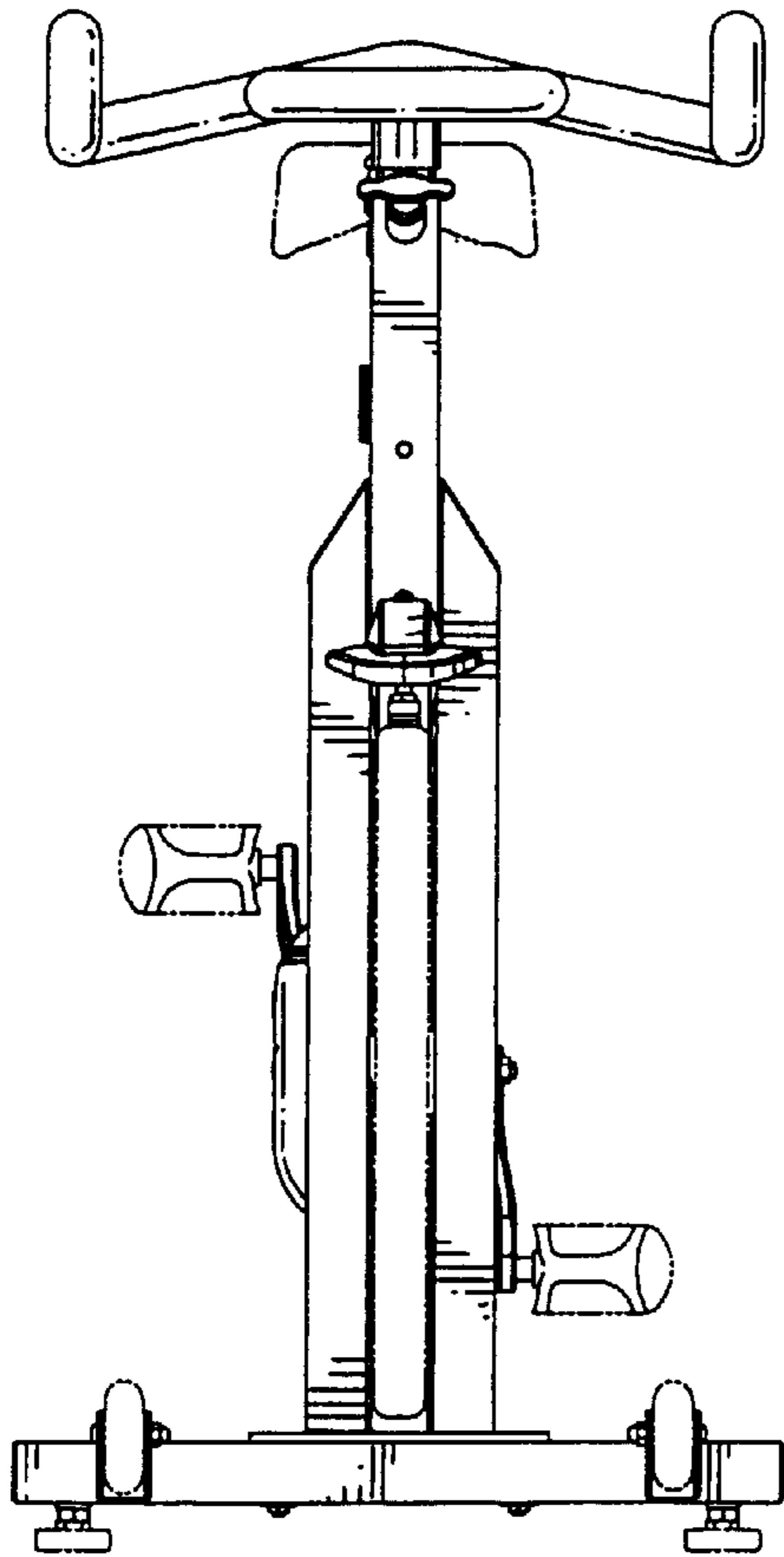
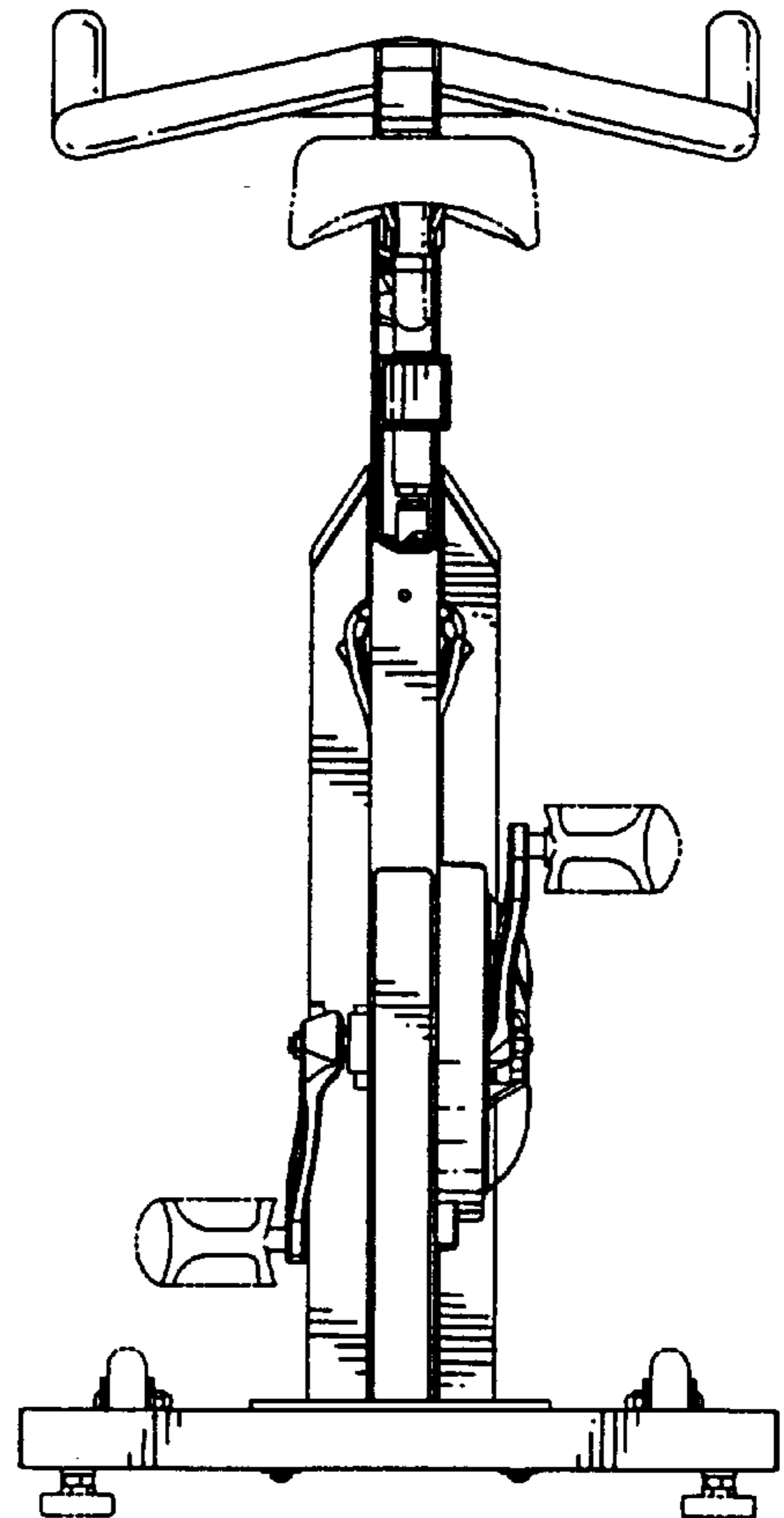


Fig. 3

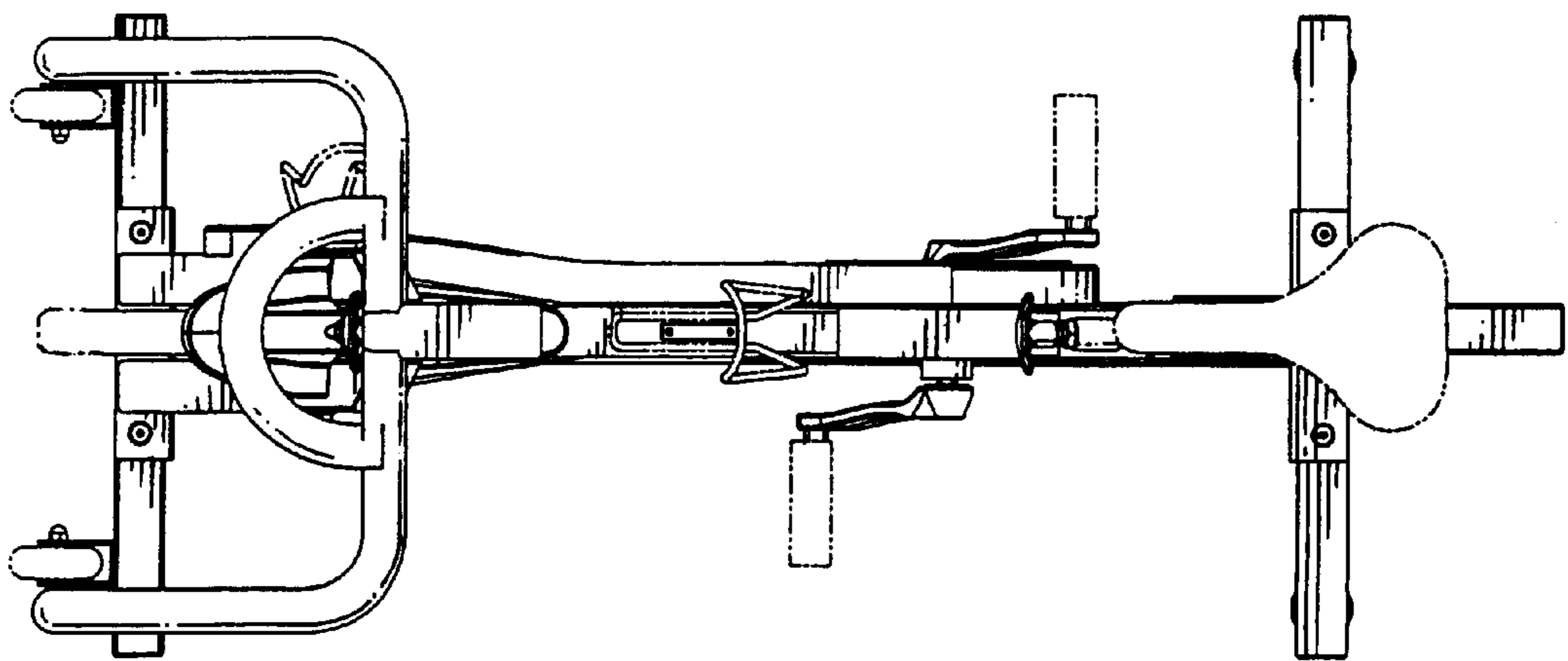




*Fig. 4*



*Fig. 5*



*Fig. 6*