



US00D473599S

(12) **United States Design Patent**
Horchler

(10) **Patent No.:** **US D473,599 S**

(45) **Date of Patent:** **** Apr. 22, 2003**

(54) **VEHICLE**

(75) Inventor: **Jack Horchler**, Mokena, IL (US)

(73) Assignee: **Teknek Toys International, Inc.**,
Mokena, IL (US)

(**) Term: **14 Years**

(21) Appl. No.: **29/165,641**

(22) Filed: **Aug. 14, 2002**

(51) **LOC (7) Cl.** **21-01**

(52) **U.S. Cl.** **D21/435; D21/424; D21/426**

(58) **Field of Search** **D21/419-435;**
D12/112, 113; 446/160, 428, 447, 456,
465, 470; 280/282, 267, 259, 87.021

(56) **References Cited**

U.S. PATENT DOCUMENTS

4,596,398 A	*	6/1986	Grossi	280/282
D296,774 S	*	7/1988	Armstrong	D12/112
D337,973 S	*	8/1993	Mariol	D12/112
D346,412 S	*	4/1994	Chou	D21/435
D392,343 S	*	3/1998	Sloss	D21/435
D435,235 S	*	12/2000	Matias De Oliveira	D12/112

* cited by examiner

Primary Examiner—Raphael Barkai

(74) *Attorney, Agent, or Firm*—Michael Best & Friedrich,
LLC

(57) **CLAIM**

The ornamental design for a vehicle, as shown and described.

DESCRIPTION

FIG. 1 is a front perspective view of the vehicle.

FIG. 2 is a rear elevation view of the vehicle depicted in FIG. 1.

FIG. 3 is a front elevation view of the vehicle depicted in FIG. 1.

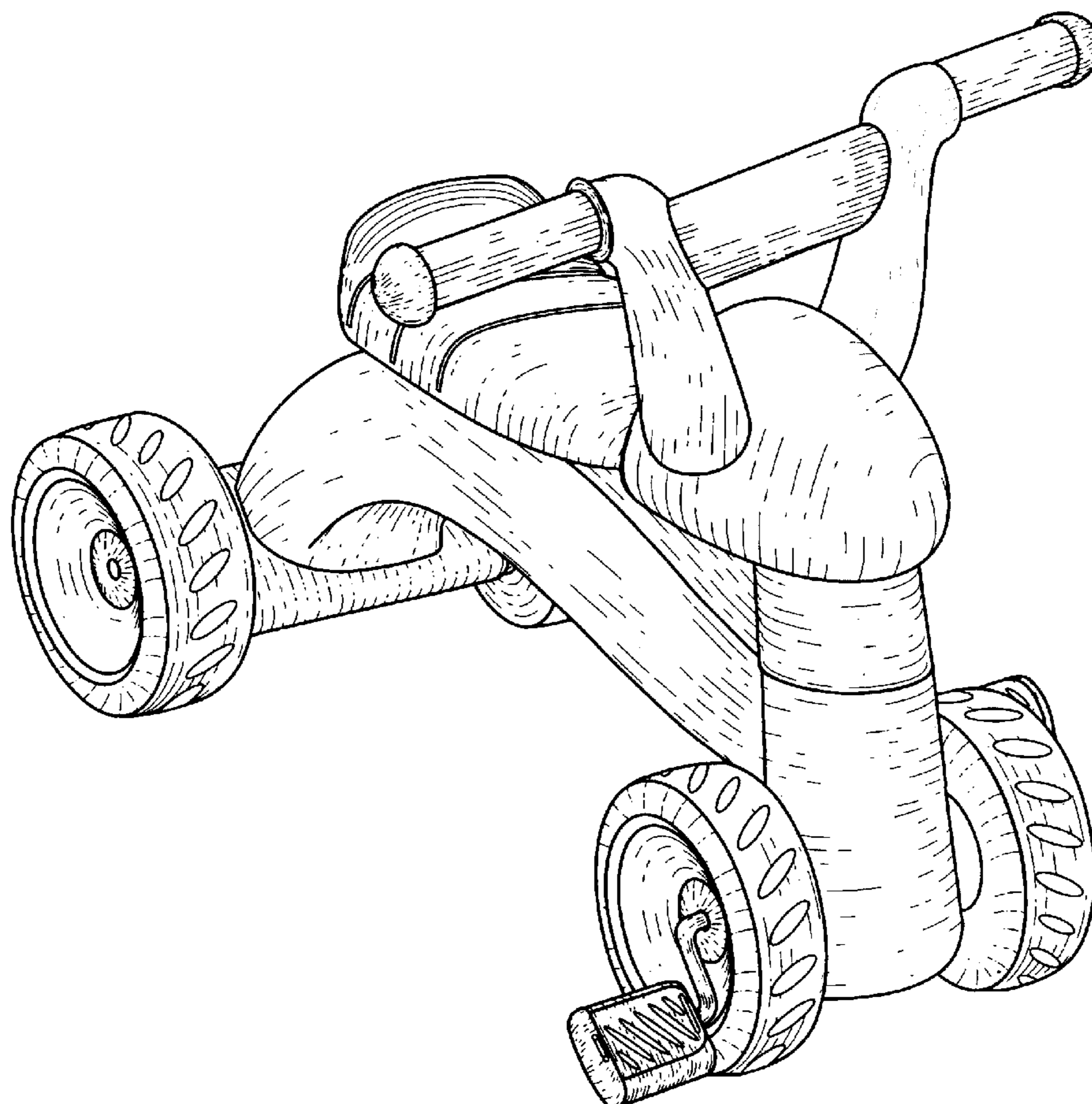
FIG. 4 is a top plan view of the vehicle depicted in FIG. 1.

FIG. 5 is a bottom plan view of the vehicle depicted in FIG. 1.

FIG. 6 is a right side elevation view of the vehicle depicted in FIG. 1, showing the movement of the seat toward the rear in dotted lines. The left side elevation view of the vehicle depicted in FIG. 1 is a mirror image of FIG. 6; and,

FIG. 7 is a partial rear elevation view of the handlebars and the control panel of the vehicle depicted in FIG. 1.

1 Claim, 4 Drawing Sheets



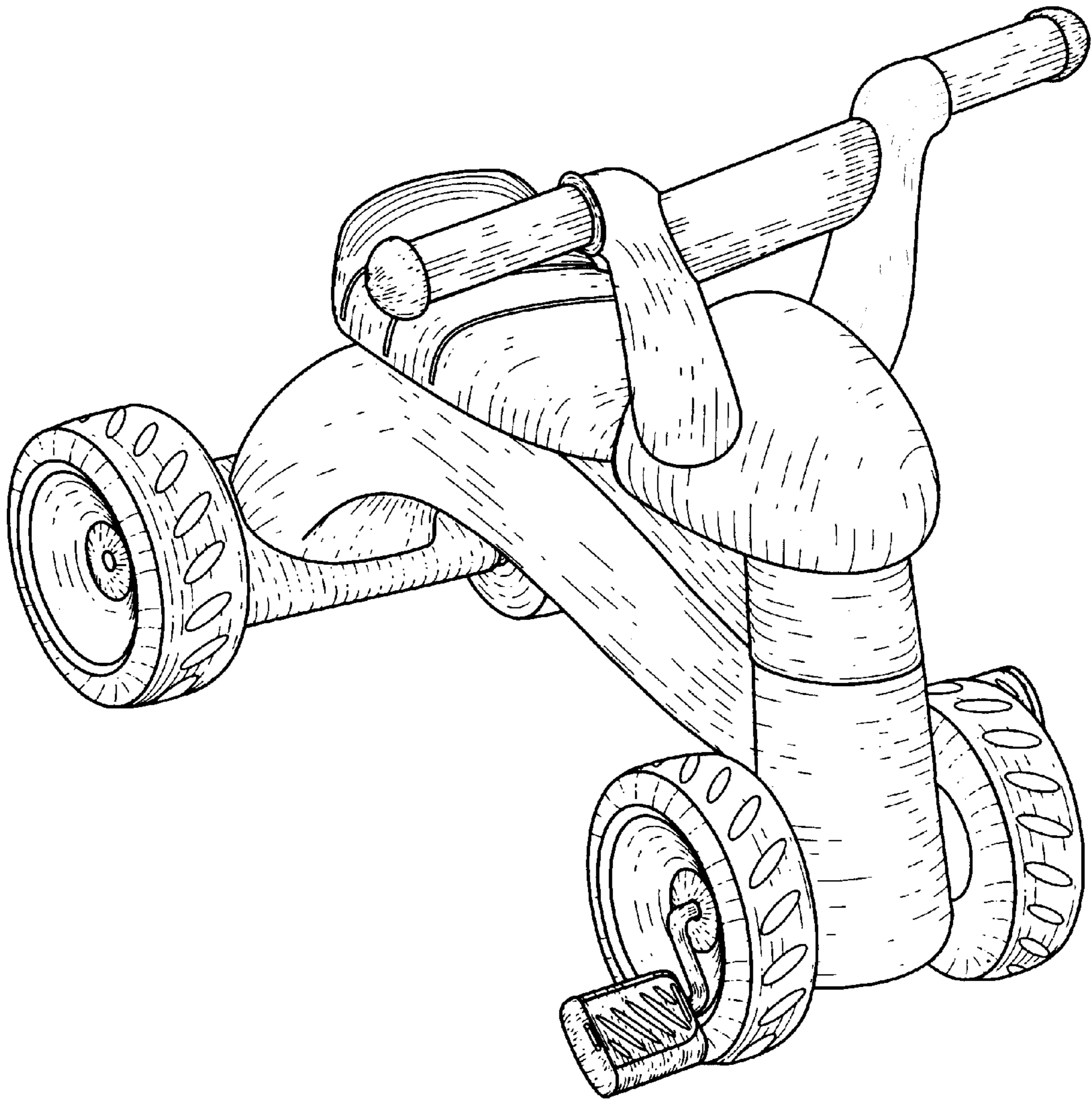


FIG. 1

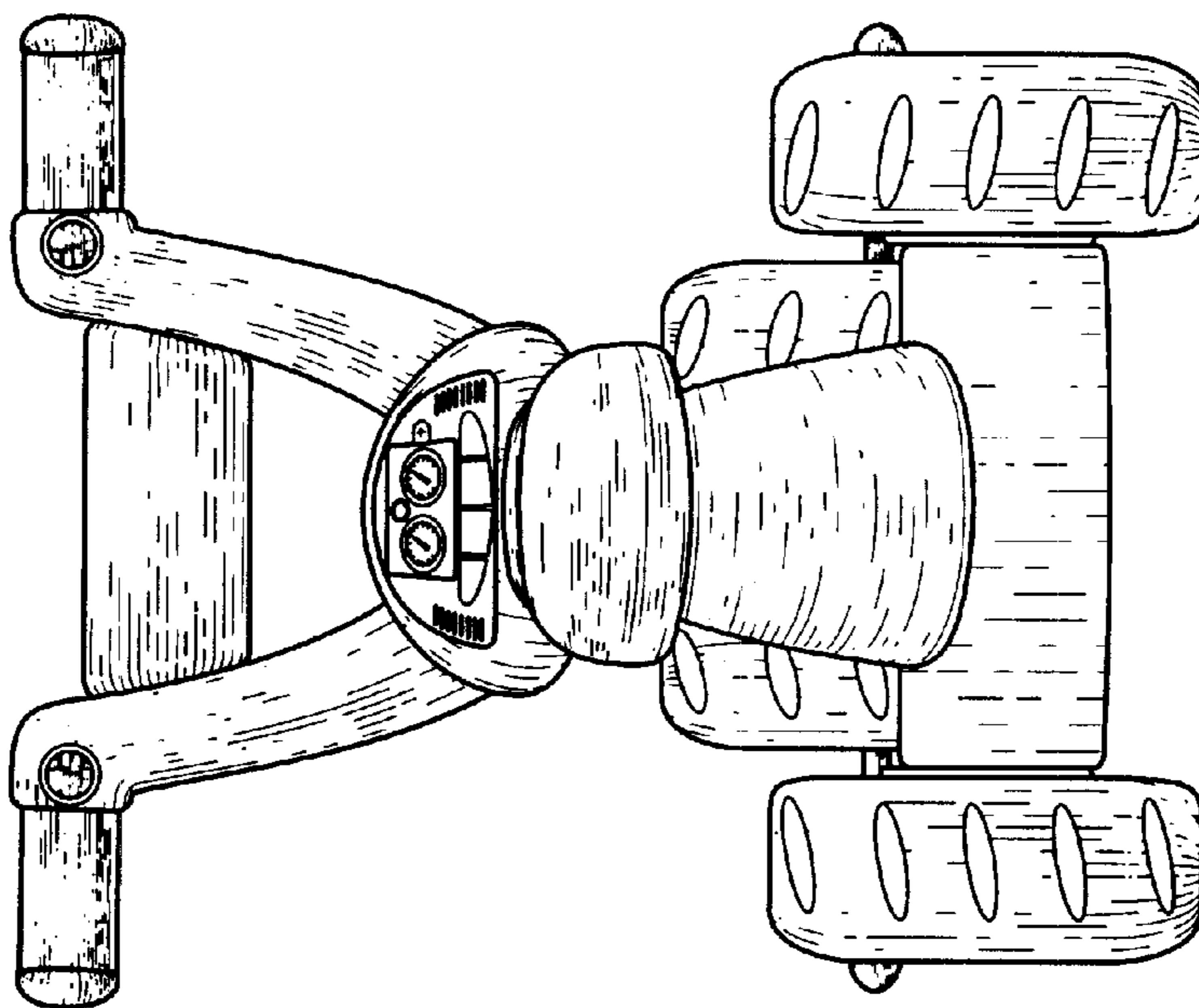


FIG. 2

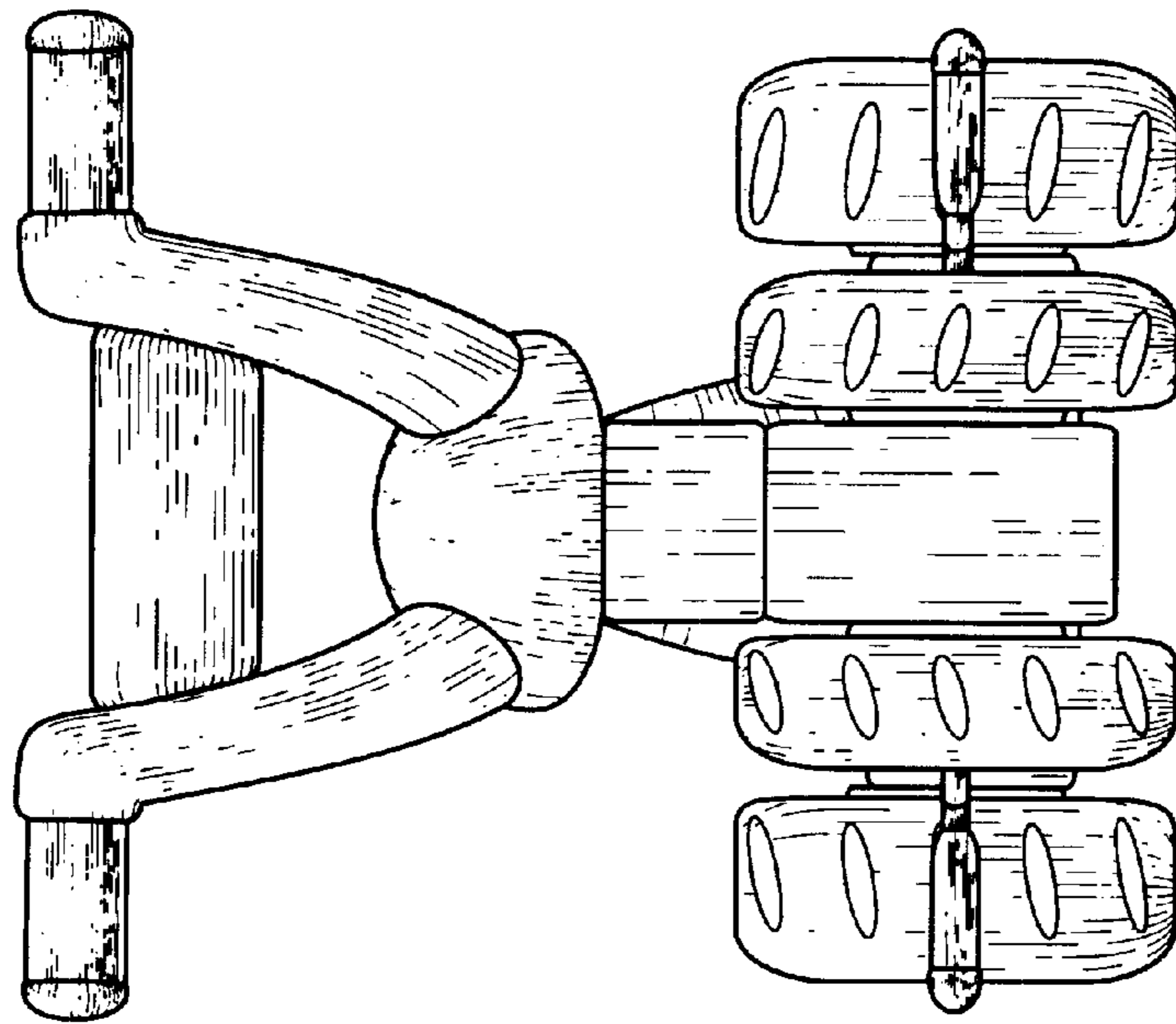


FIG. 3

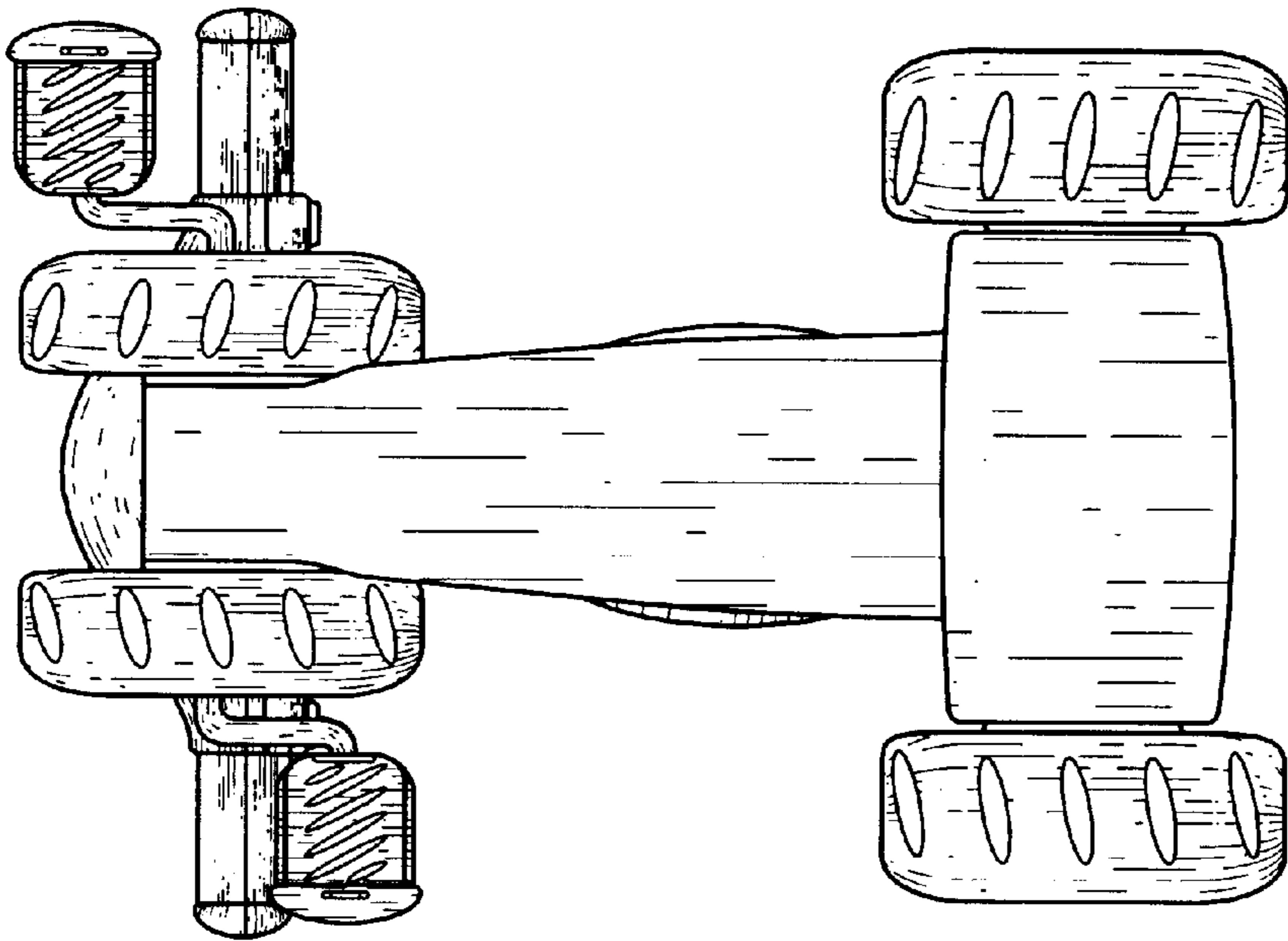


FIG. 5

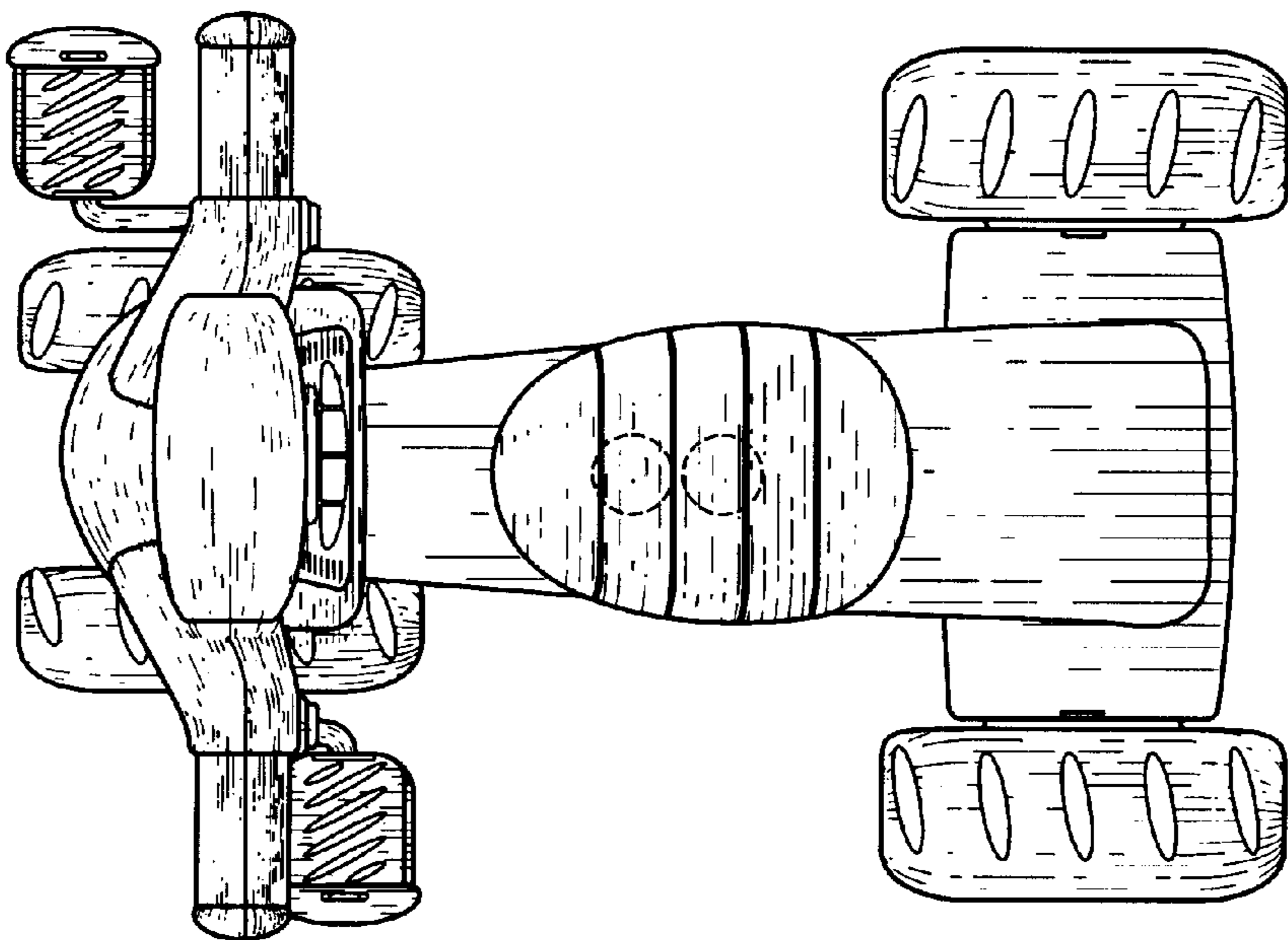


FIG. 4

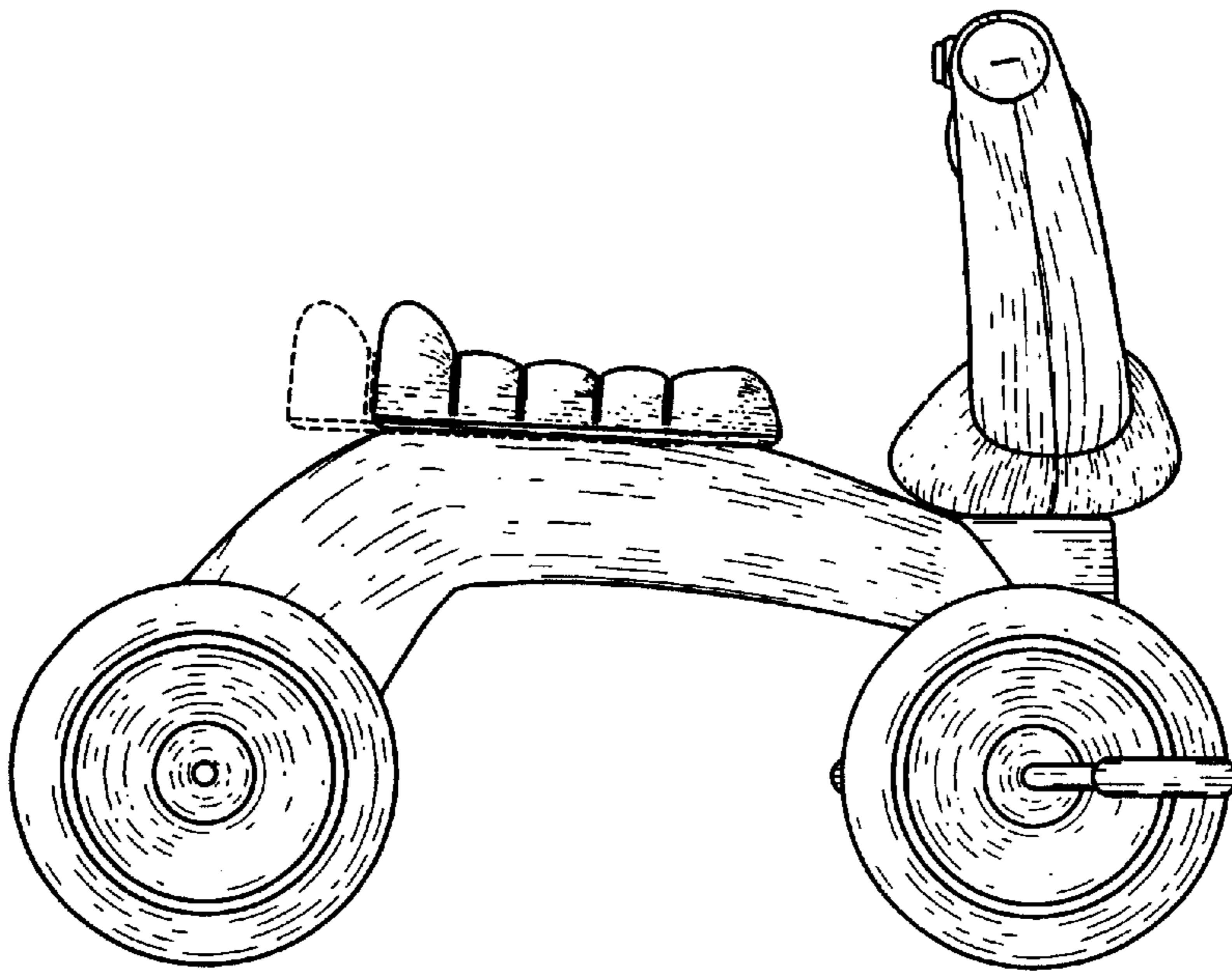


FIG. 6

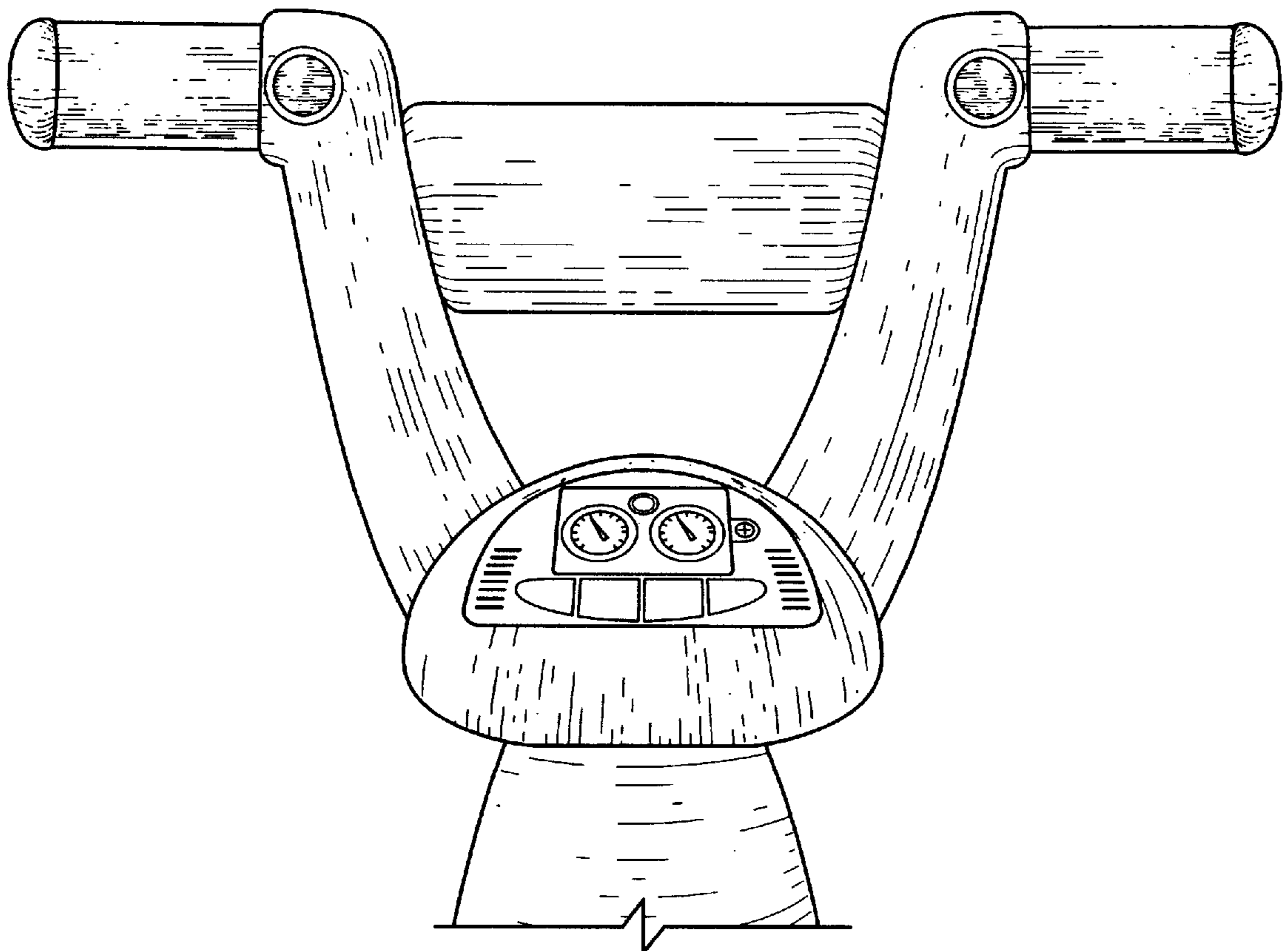


FIG. 7