



US00D473594S

(12) **United States Design Patent**
Gibson et al.

(10) **Patent No.:** **US D473,594 S**

(45) **Date of Patent:** **** Apr. 22, 2003**

(54) **THREE SIDED DISPLAY HOLDER**

(76) Inventors: **Scott S. Gibson**, 6901 93rd SE., Mercer Island, WA (US) 98040; **Spec Fulmar**, 23636 60th S. Apt. C101, Kent, WA (US) 98032

(**) Term: **14 Years**

(21) Appl. No.: **29/121,586**

(22) Filed: **Apr. 10, 2000**

Related U.S. Application Data

(62) Division of application No. 09/410,647, filed on Oct. 1, 1999.

(51) **LOC (7) Cl.** **19-08**

(52) **U.S. Cl.** **D20/21**

(58) **Field of Search** D20/10, 12, 21, D20/99; 40/299.01, 503-507, 611, 612, 584, 624

(56) **References Cited**

U.S. PATENT DOCUMENTS

- D281,336 S * 11/1985 Ahlgren D20/21
- D386,214 S * 11/1997 Belokin et al. D20/21
- D390,881 S * 2/1998 Kiggins D20/21

* cited by examiner

Primary Examiner—Marcus A. Jackson
(74) *Attorney, Agent, or Firm*—Delbert J. Barnard

(57) **CLAIM**

The ornamental design for a three sided display holder, as shown and described.

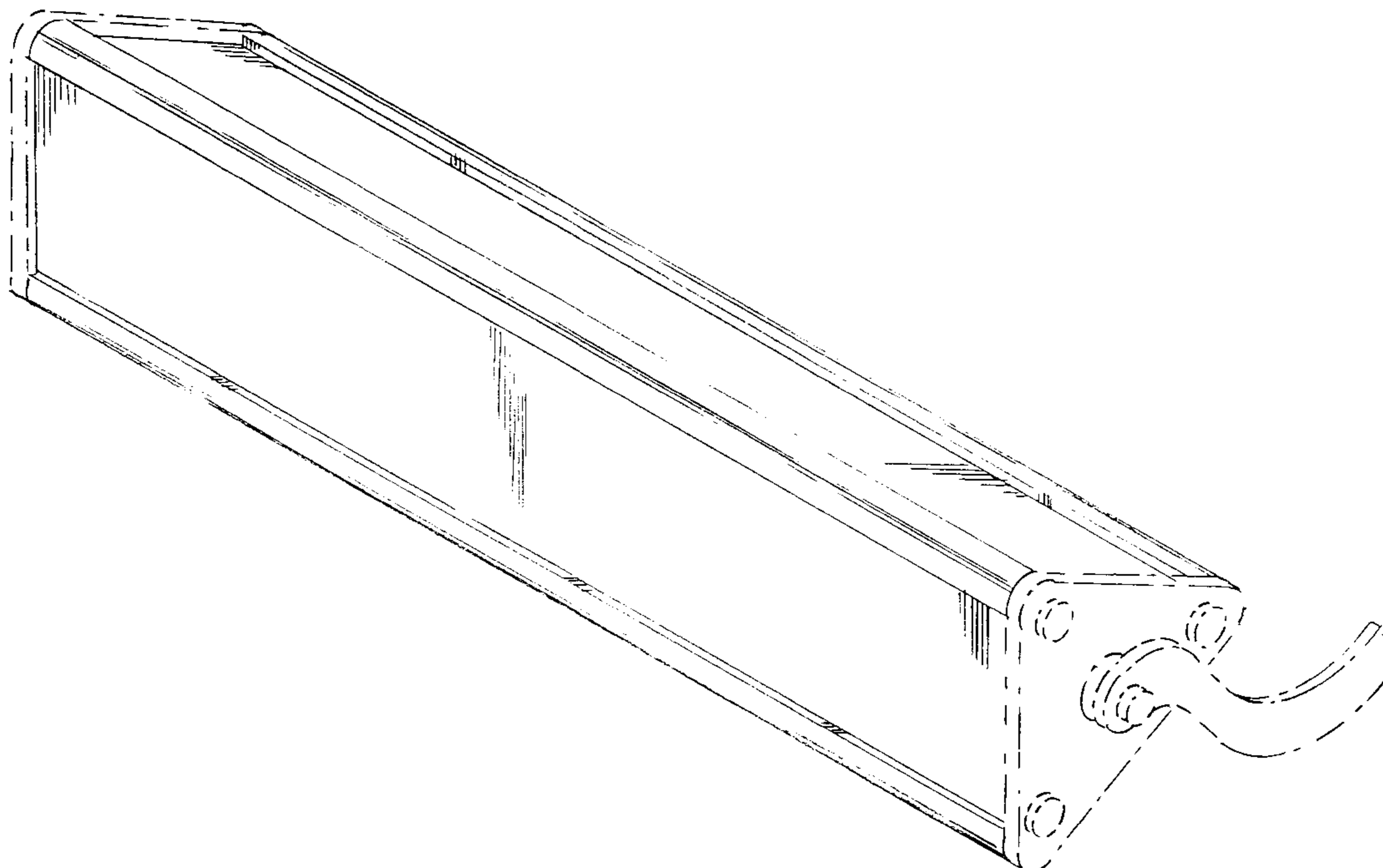
DESCRIPTION

FIG. 1 is a pictorial view of a three-sided display holder showing our new design, with the broken lines showing being for illustrative purposes only and forming no part of the claimed invention;

FIG. 2 is a side elevational view of one side of the design shown by FIG. 1, with a center portion broken away for the purpose of shortening the view, such view illustrating each of the three sides of the display holder because the three sides are substantially identical, and further directly showing the side appearance of the display holder when it is vertical, and further showing the side appearance of the display holder when it is horizontal, by merely rotating the figure ninety (90°) degrees and then viewing it, such view also including broken lines for illustration purposes only and forming no part of the claimed invention; and,

FIG. 3 is an end view of both ends of the design, such view also including a broken line showing for illustration purposes only and forming no part of the claimed invention.

1 Claim, 2 Drawing Sheets



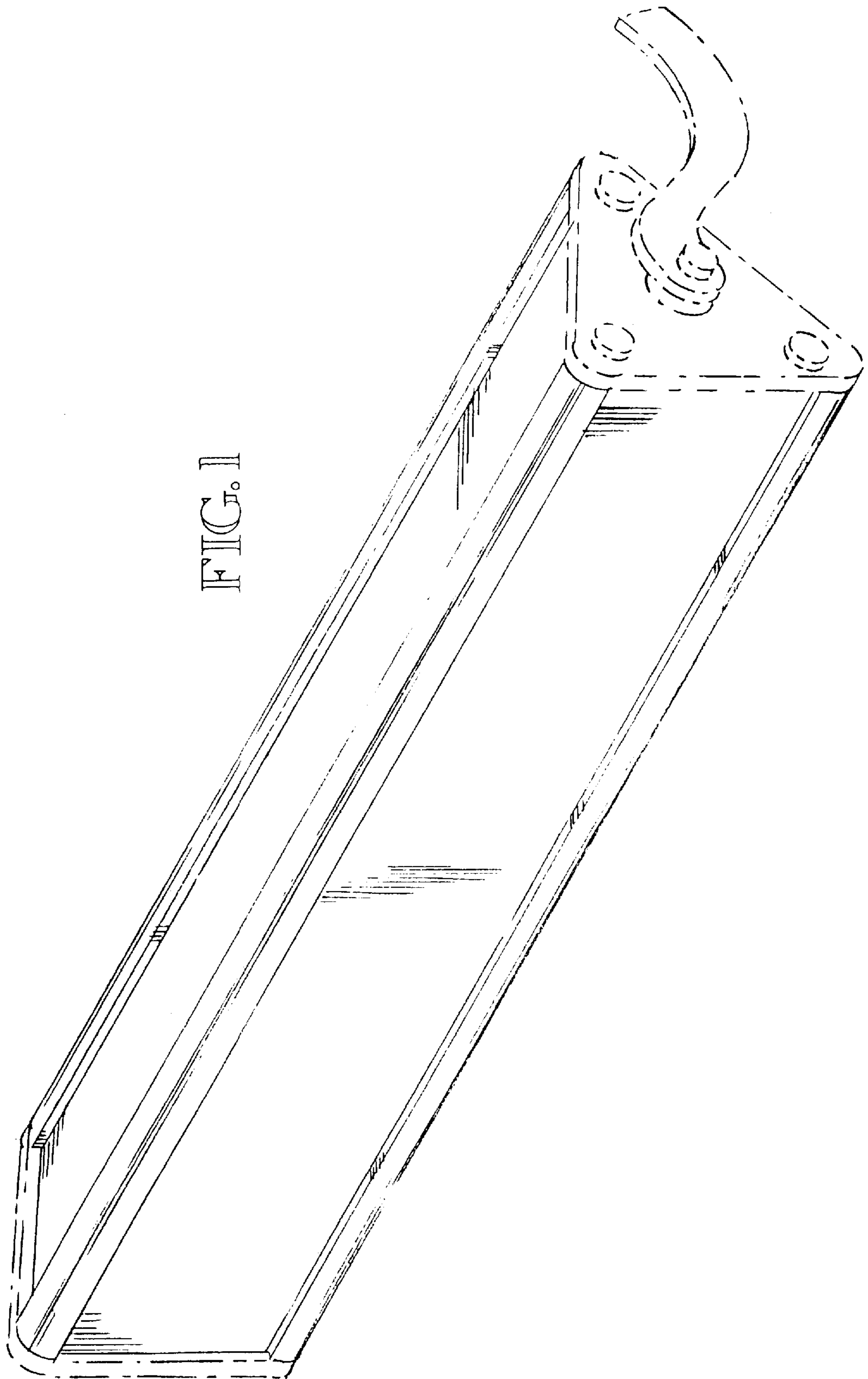


FIG. 1

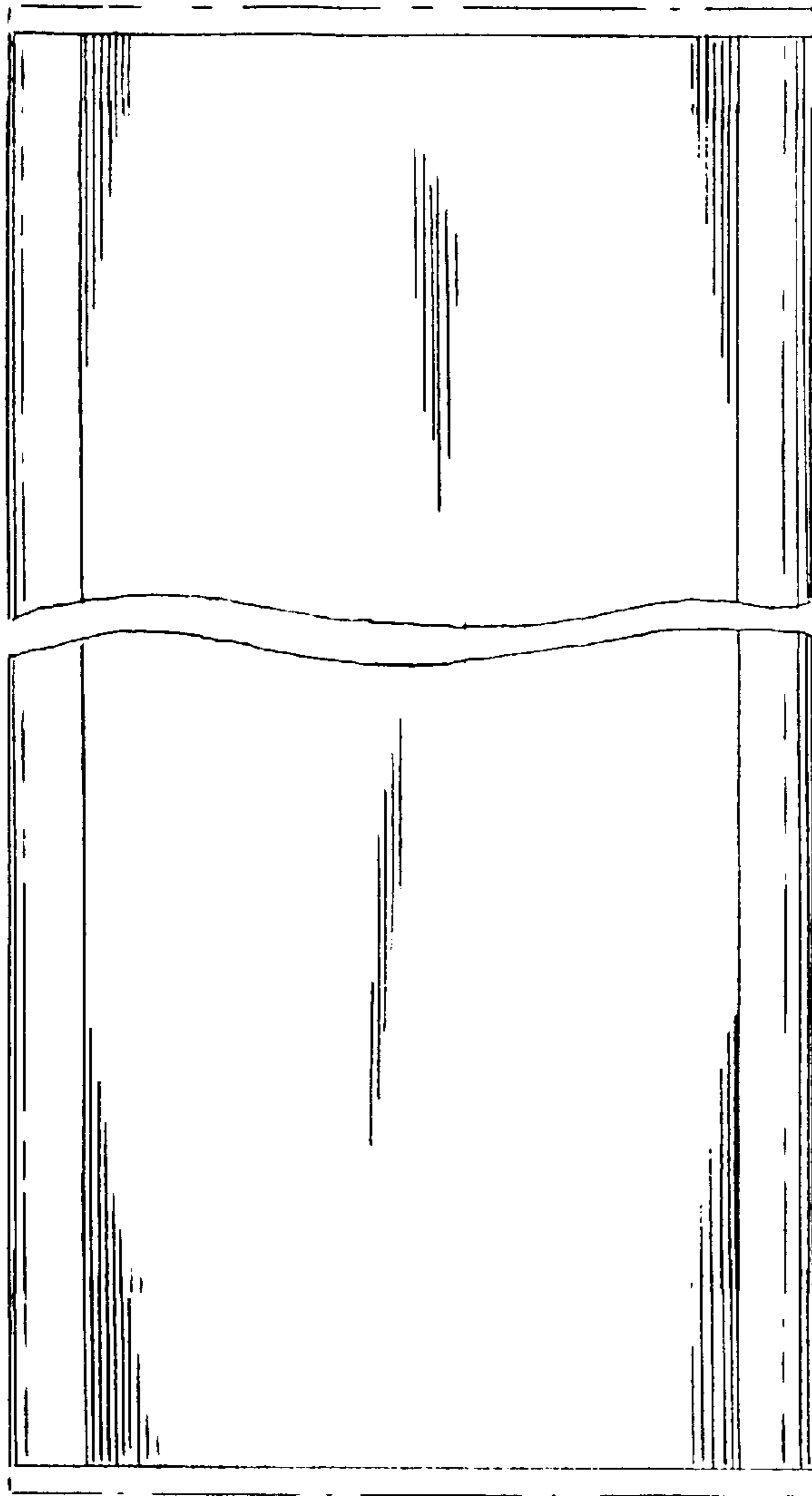


FIG. 2

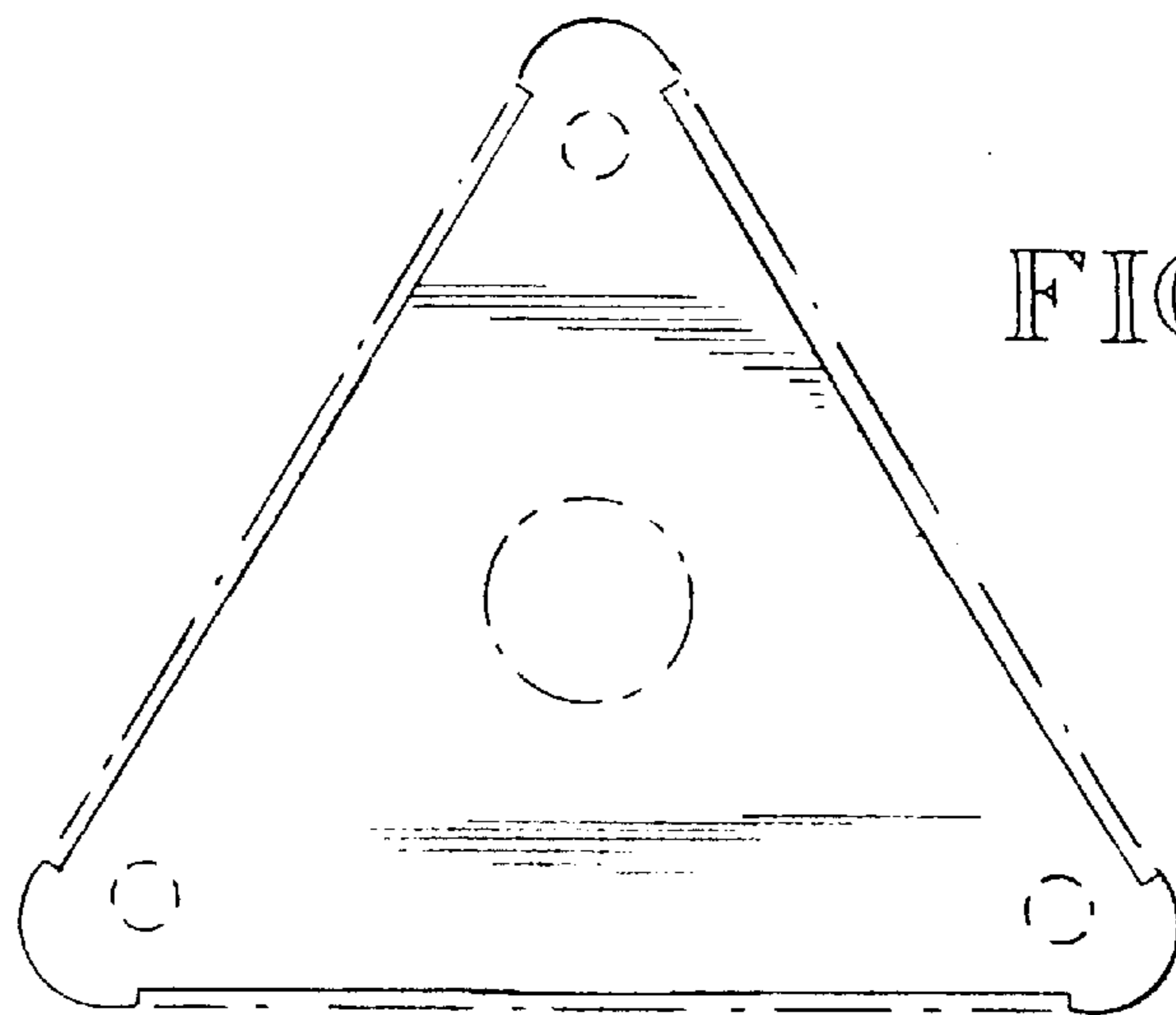


FIG. 3