



US00D473591S

(12) **United States Design Patent**
Halstead

(10) **Patent No.: US D473,591 S**

(45) **Date of Patent: ** *Apr. 22, 2003**

(54) **BOOK CLIP WITH DESIGN ATTACHMENT**

(76) **Inventor: Florence Halstead, 1300 Lawrence St., El Cerrito, CA (US) 94530**

(* **Notice:** This patent is subject to a terminal disclaimer.

(**) **Term: 14 Years**

(21) **Appl. No.: 29/154,464**

(22) **Filed: Jan. 22, 2002**

(51) **LOC (7) Cl. 19-02**

(52) **U.S. Cl. D19/65; D19/34; D19/91**

(58) **Field of Search D19/34, 65, 90, D19/91, 99, 100; D8/394, 395; 281/33, 42, 45; 24/67 R, 67.1-67.11, 452, 453, DIG. 10, DIG. 8; 248/448-453, 444.1, 546**

(56) **References Cited**

U.S. PATENT DOCUMENTS

- 1,196,715 A * 8/1916 Noll 281/42
- 4,235,457 A * 11/1980 Brewer 281/42
- 4,932,680 A * 6/1990 Rivera 281/42
- D321,210 S * 10/1991 Hiromori D19/65

- D322,095 S * 12/1991 Rivera D19/65
- D332,459 S * 1/1993 Morimiya D16/208
- 6,019,339 A * 2/2000 Brayford 248/444.1
- 6,357,796 B1 * 3/2002 Halstead 281/42
- D458,307 S * 6/2002 Halstead D19/65

* cited by examiner

Primary Examiner—Martie K. Holtje

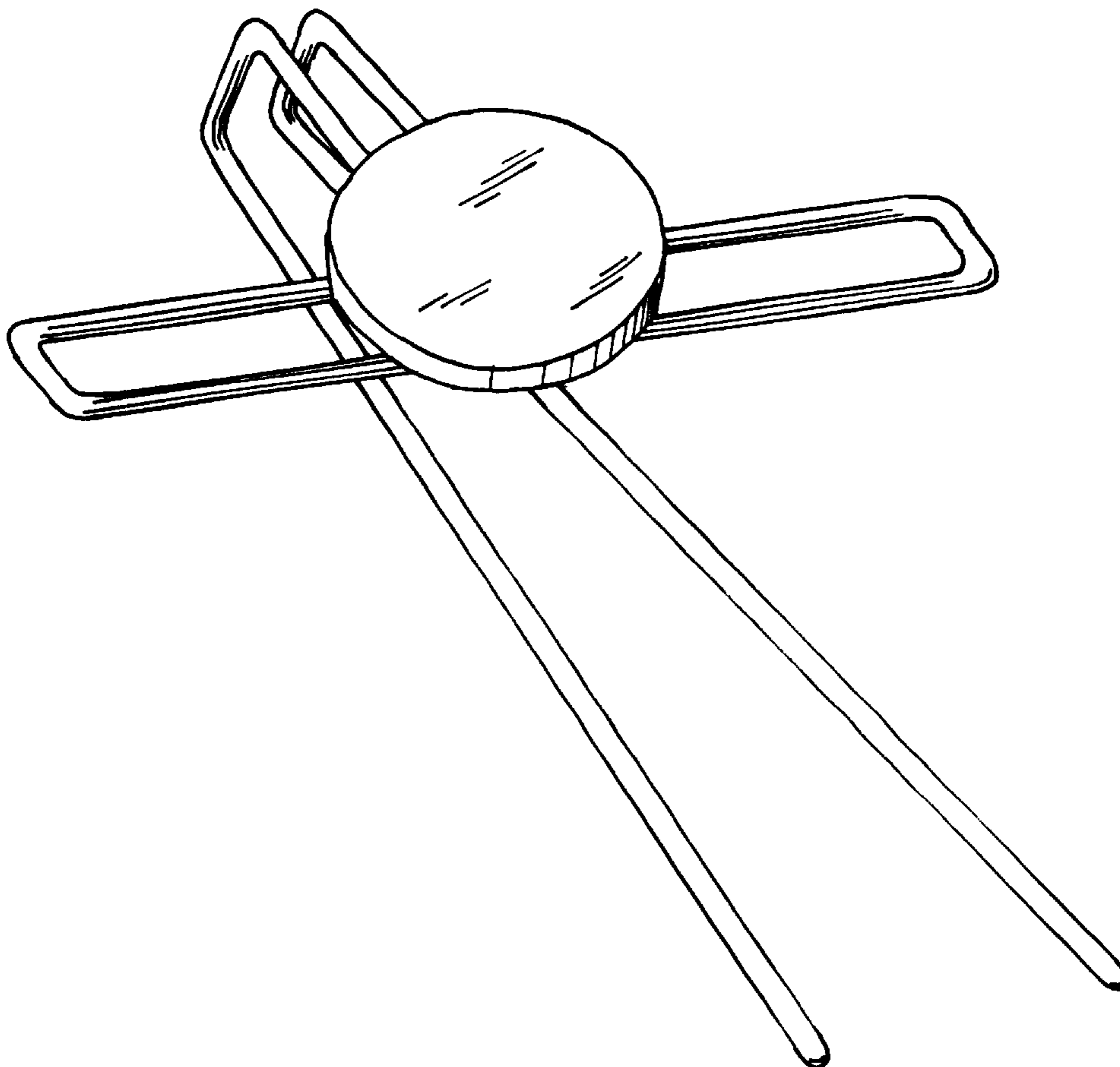
(57) **CLAIM**

I claim the ornamental design of a book clip with design attachment, as shown and described.

DESCRIPTION

FIG. 1 is a front elevational view of a book clip with design attachment, showing my new design;
 FIG. 2 is a rear elevational view thereof;
 FIG. 3 is a right side elevational view thereof, the left side view being a mirror image;
 FIG. 4 is a perspective view thereof;
 FIG. 5 is a top plan view thereof;
 FIG. 6 is a bottom plan view thereof; and,
 FIG. 7 is a view of the book clip with design attachment in a book. The book is shown in broken lines for illustrative purposes only and forms no part of the claimed design.

1 Claim, 7 Drawing Sheets



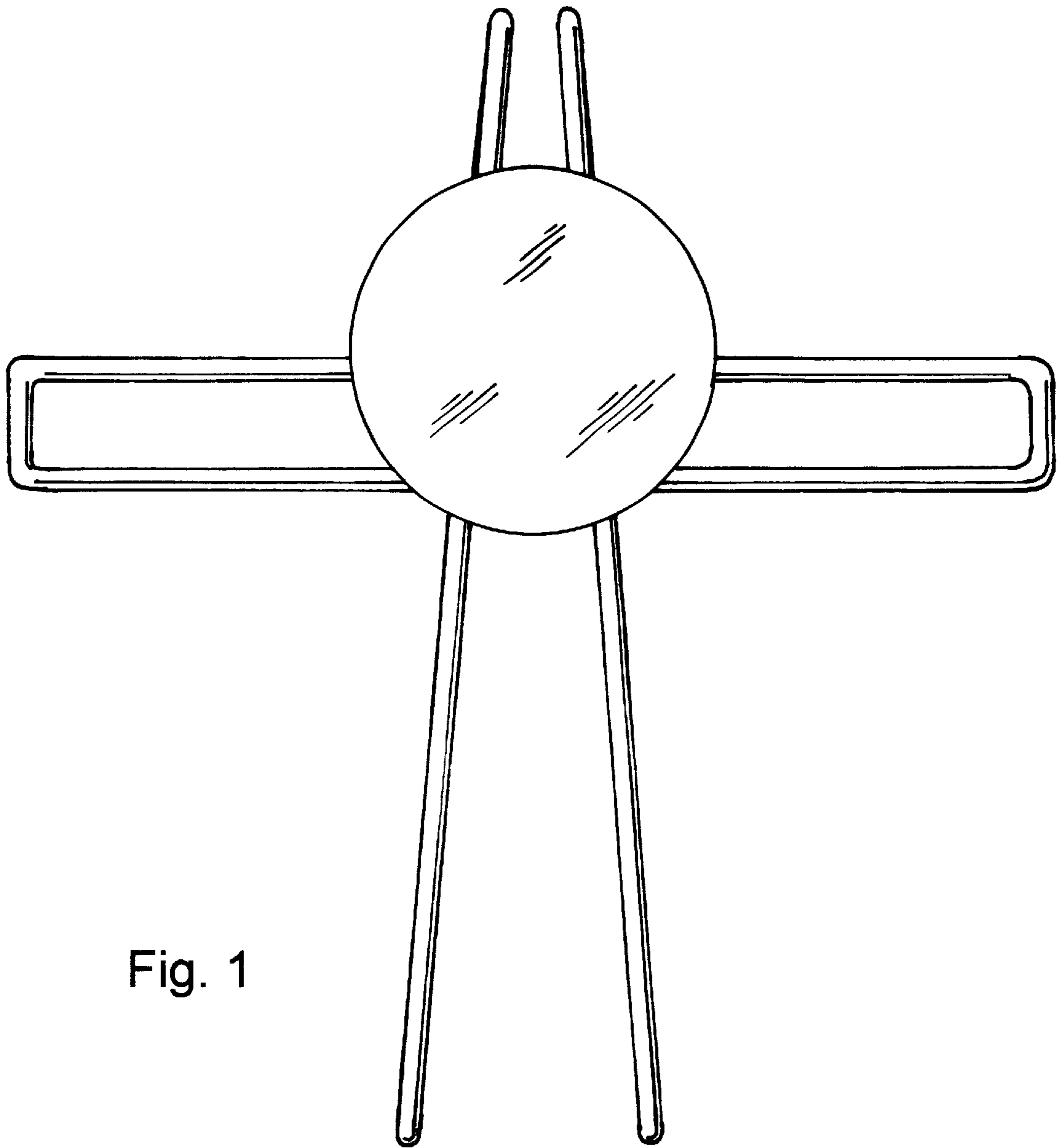


Fig. 1

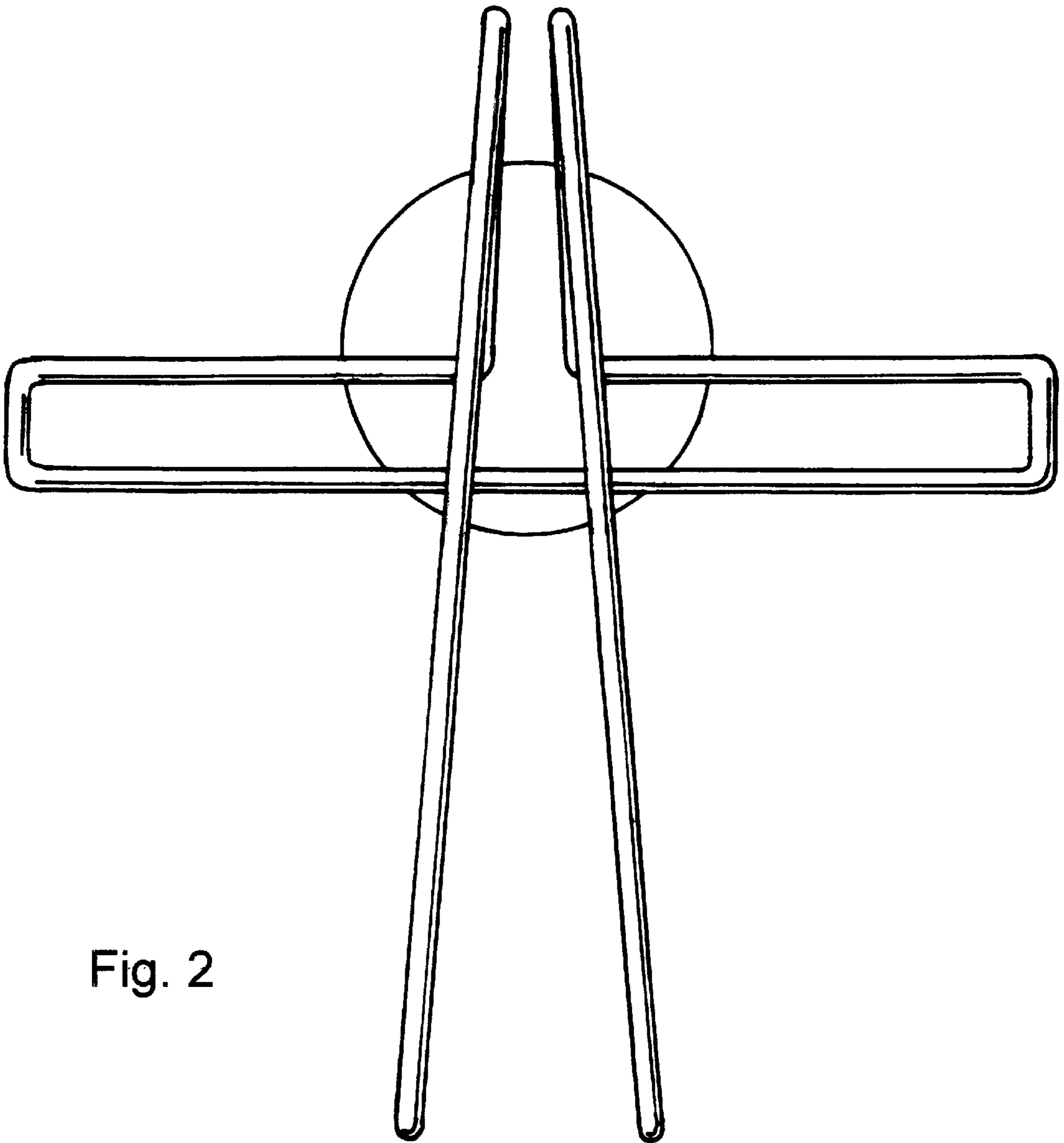


Fig. 2

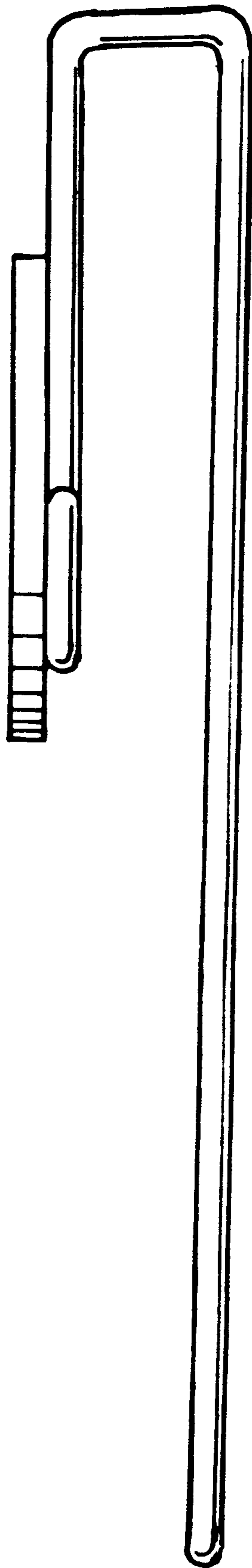


Fig. 3

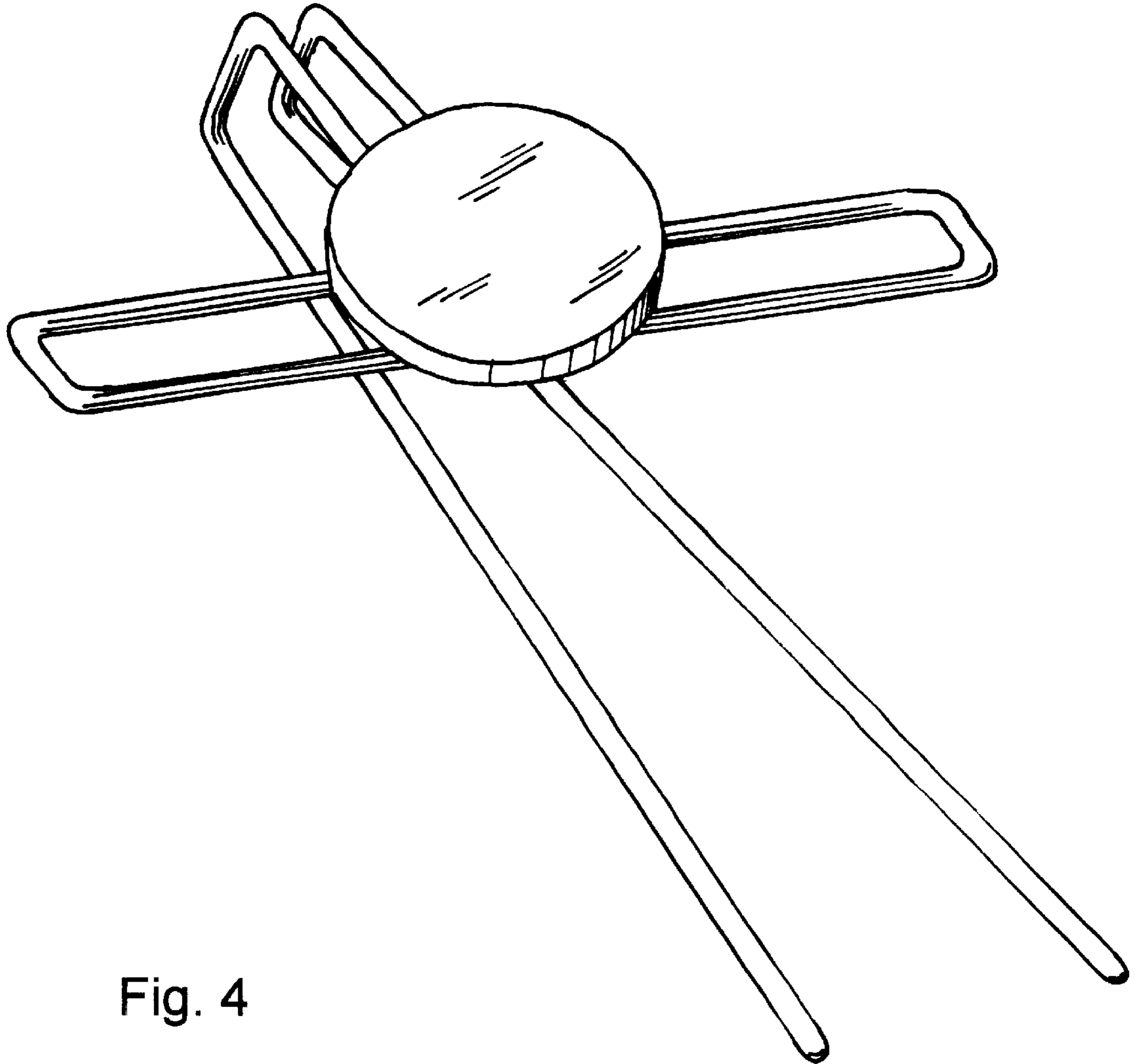


Fig. 4

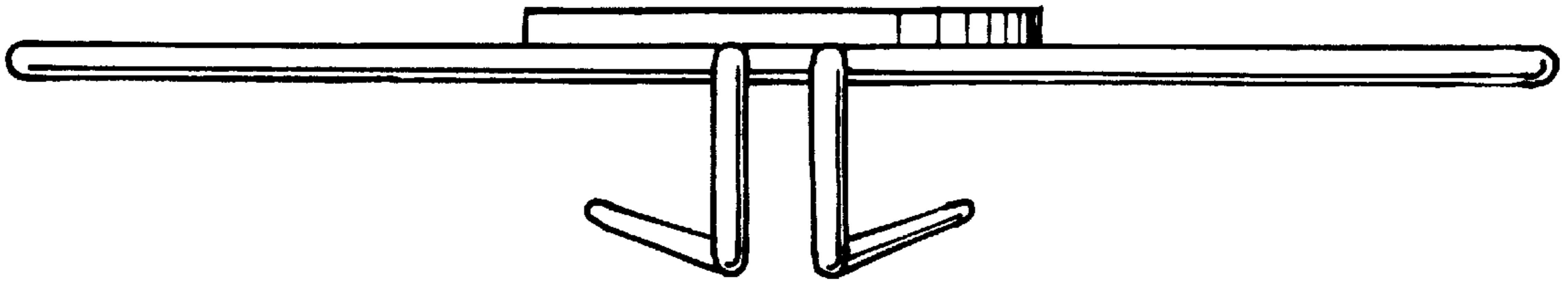


Fig. 5

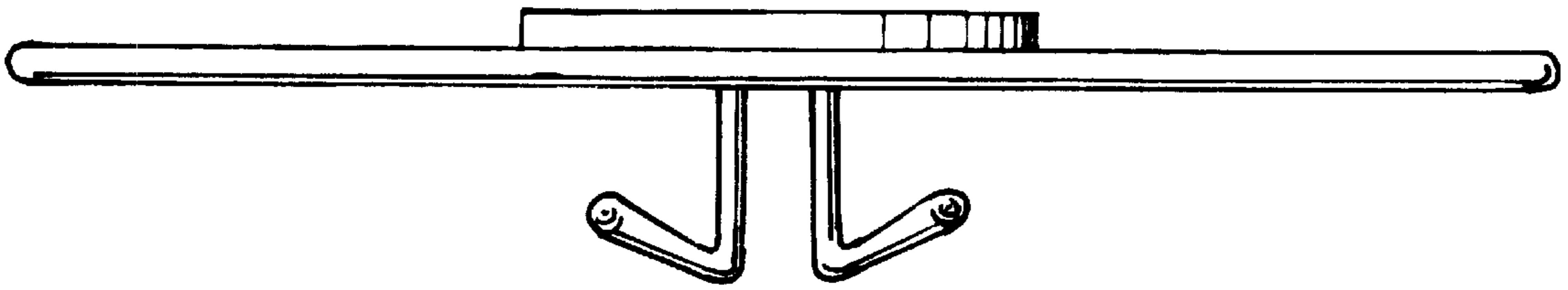


Fig. 6

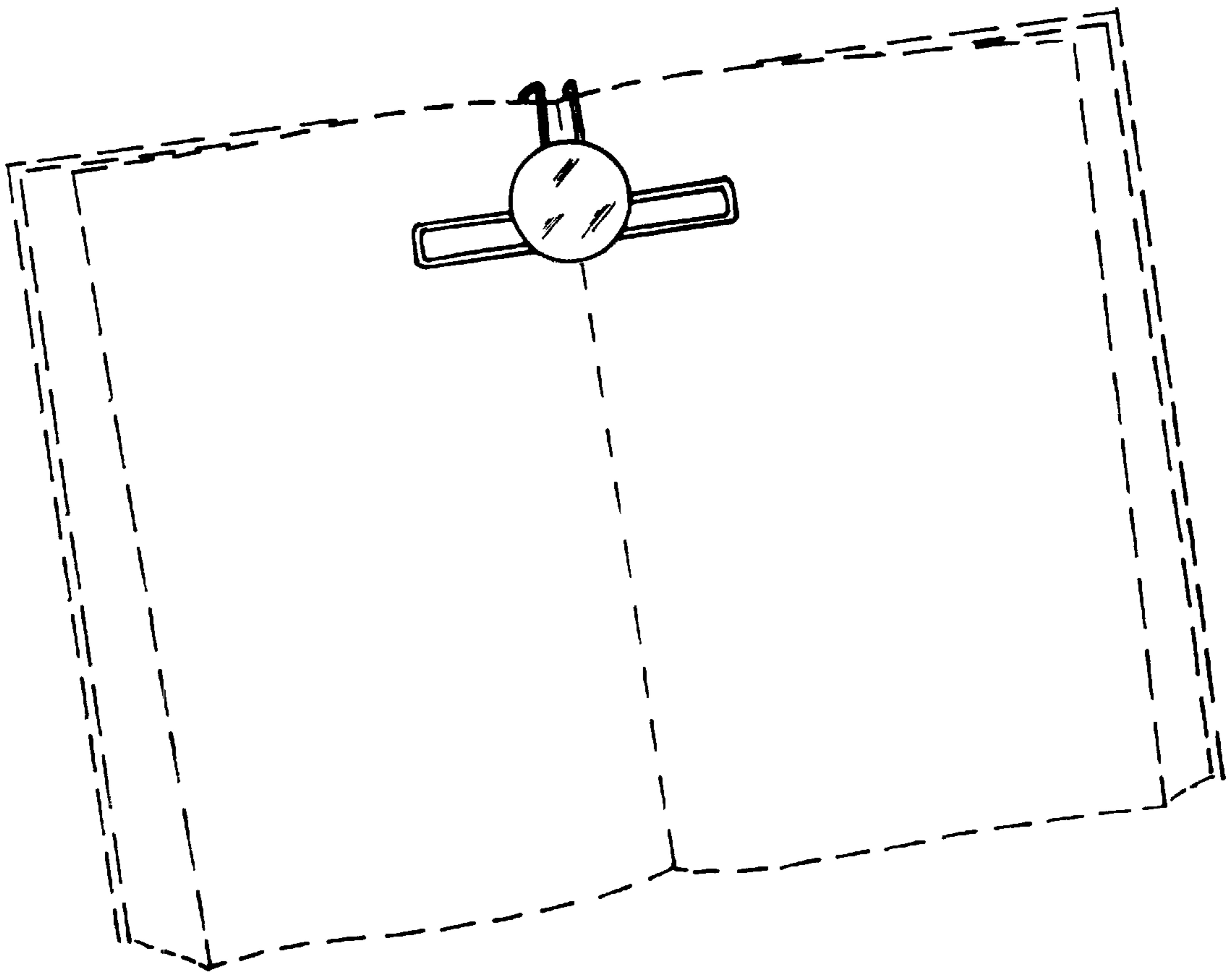


Fig. 7