



US00D473588S

(12) **United States Design Patent**
Wang et al.

(10) **Patent No.: US D473,588 S**

(45) **Date of Patent: ** *Apr. 22, 2003**

(54) **TONER CARTRIDGE**

(75) Inventors: **Jui-Chi Wang, Wu-Chi (TW); Robin Hsu, Wu-Chi (TW); Mei Hsia Chang, Wu-Chi (TW)**

(73) Assignee: **General Plastic Industrial Co., Ltd., Taichung (TW)**

(*) Notice: This patent is subject to a terminal disclaimer.

(**) Term: **14 Years**

(21) Appl. No.: **29/148,842**

(22) Filed: **Sep. 25, 2001**

(51) **LOC (7) Cl. 16-03**

(52) **U.S. Cl. D18/43**

(58) **Field of Search D18/36, 40, 43, D18/56; 399/24-28, 61, 99, 106, 111, 262; 222/DIG. 1**

(56) **References Cited**

U.S. PATENT DOCUMENTS

D430,197 S * 8/2000 Wang et al. D18/43

D431,595 S * 10/2000 Wang et al. D18/43
D436,121 S * 1/2001 Wang et al. D18/43
D437,346 S * 2/2001 Wang et al. D18/43
D437,347 S * 2/2001 Wang et al. D18/43
D458,301 S * 6/2002 Wang et al. D18/43
D458,962 S * 6/2002 Wang et al. D18/43

* cited by examiner

Primary Examiner—Caron D. Veynar

(74) *Attorney, Agent, or Firm*—Pro-Techtor International Services

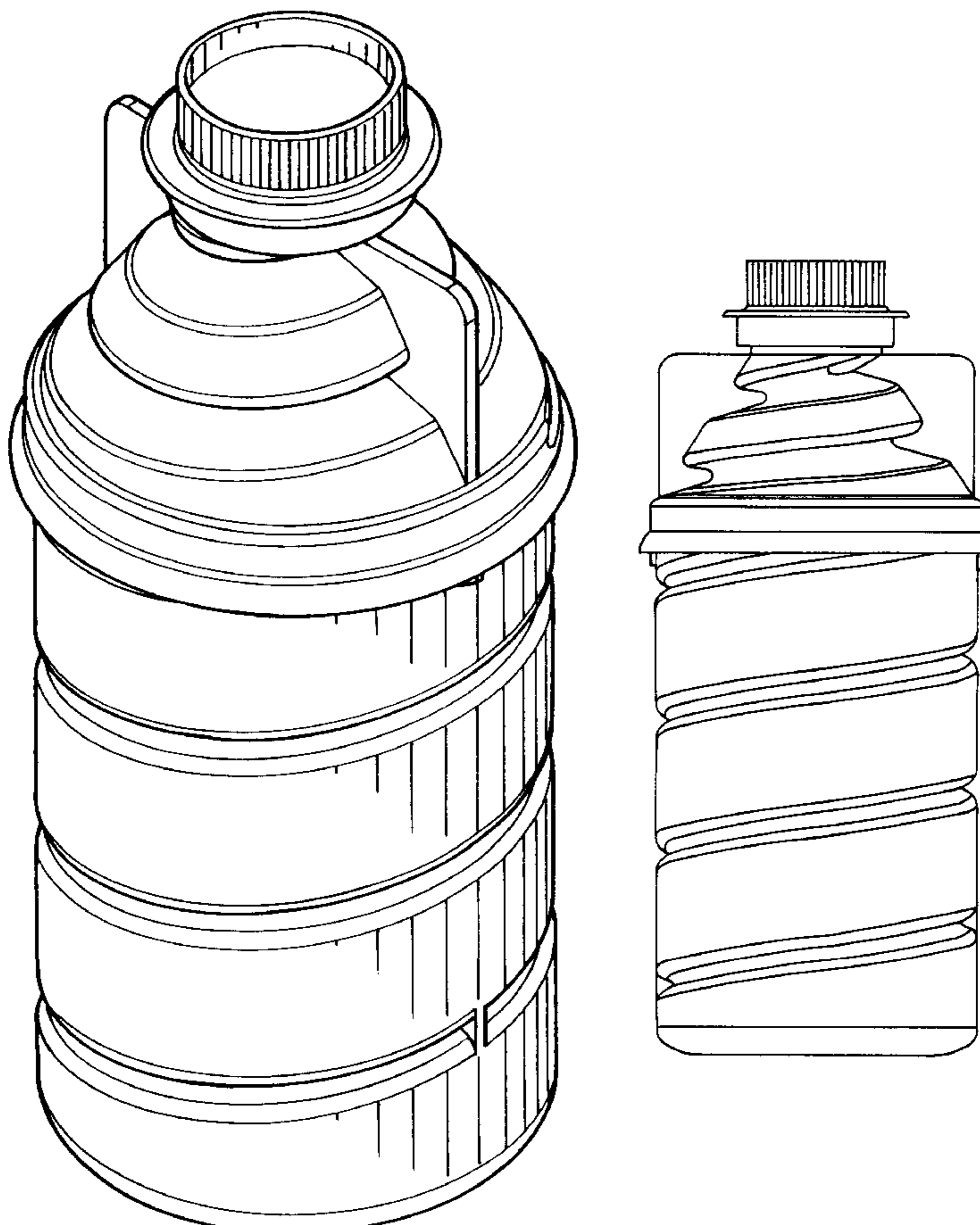
(57) **CLAIM**

The ornamental design for a toner cartridge, as shown and described.

DESCRIPTION

FIG. 1 is a perspective view of the toner cartridge of the present invention;
FIG. 2 is a front view thereof;
FIG. 3 is a rear view thereof;
FIG. 4 is a left view thereof;
FIG. 5 is a right view thereof;
FIG. 6 is a top view thereof; and,
FIG. 7 is a bottom view thereof.

1 Claim, 4 Drawing Sheets



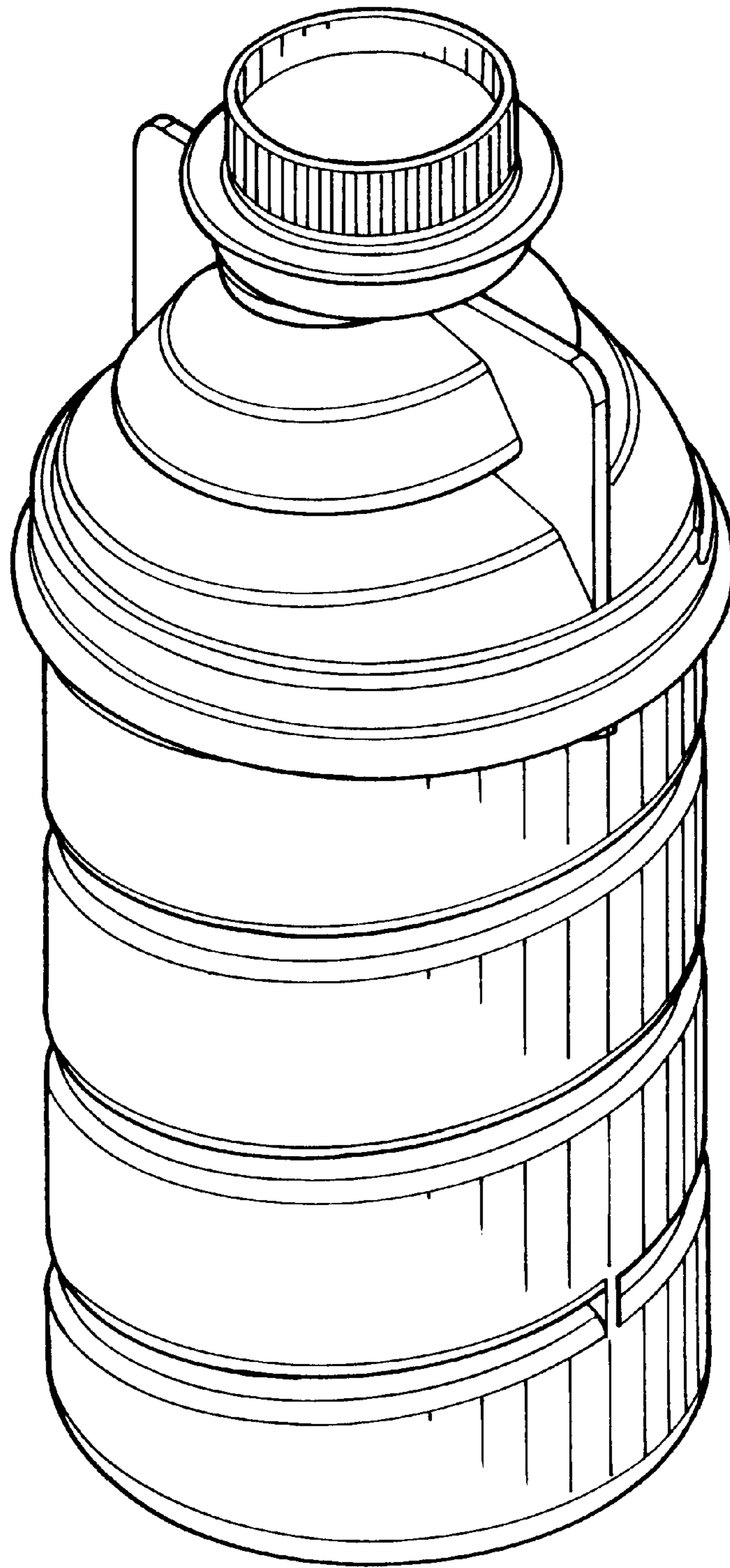


FIG . 1

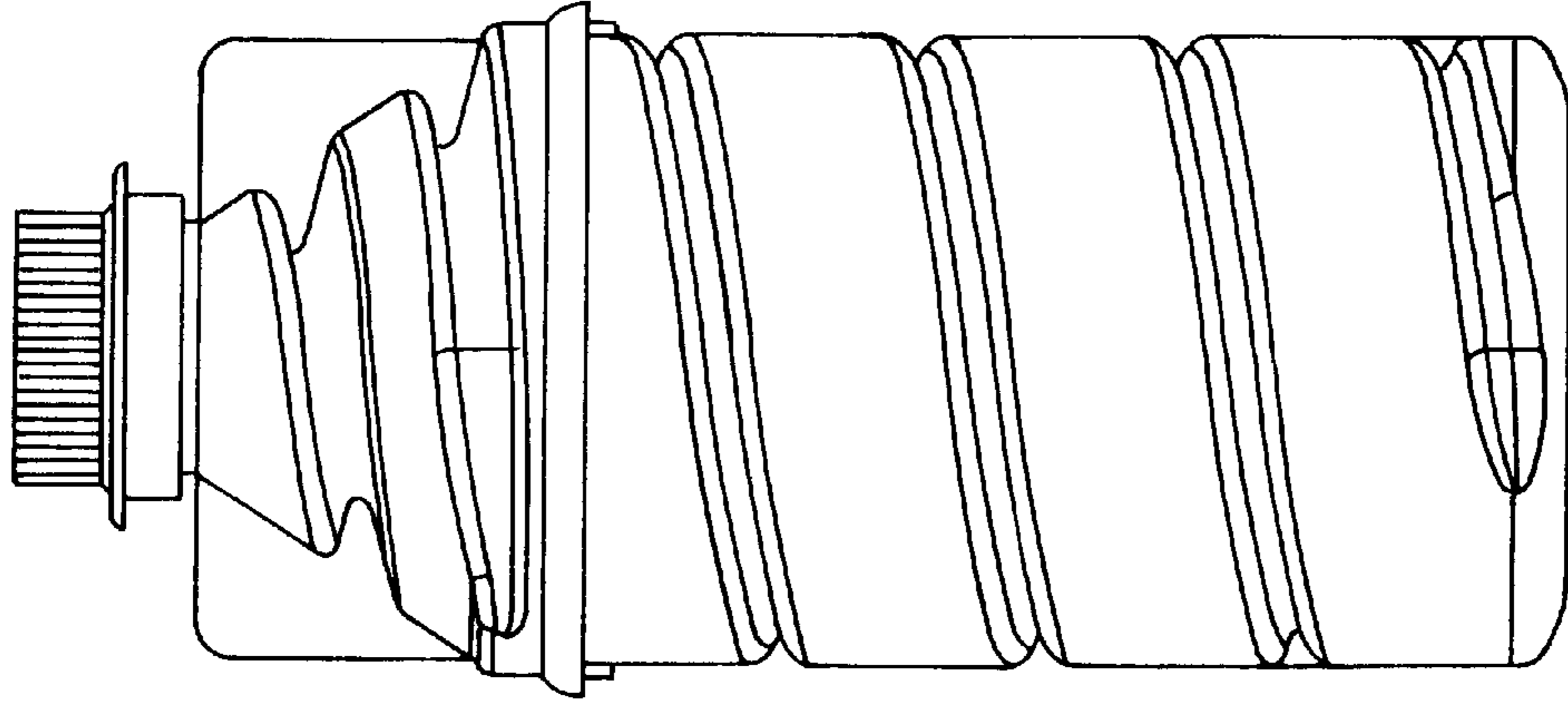


FIG. 2

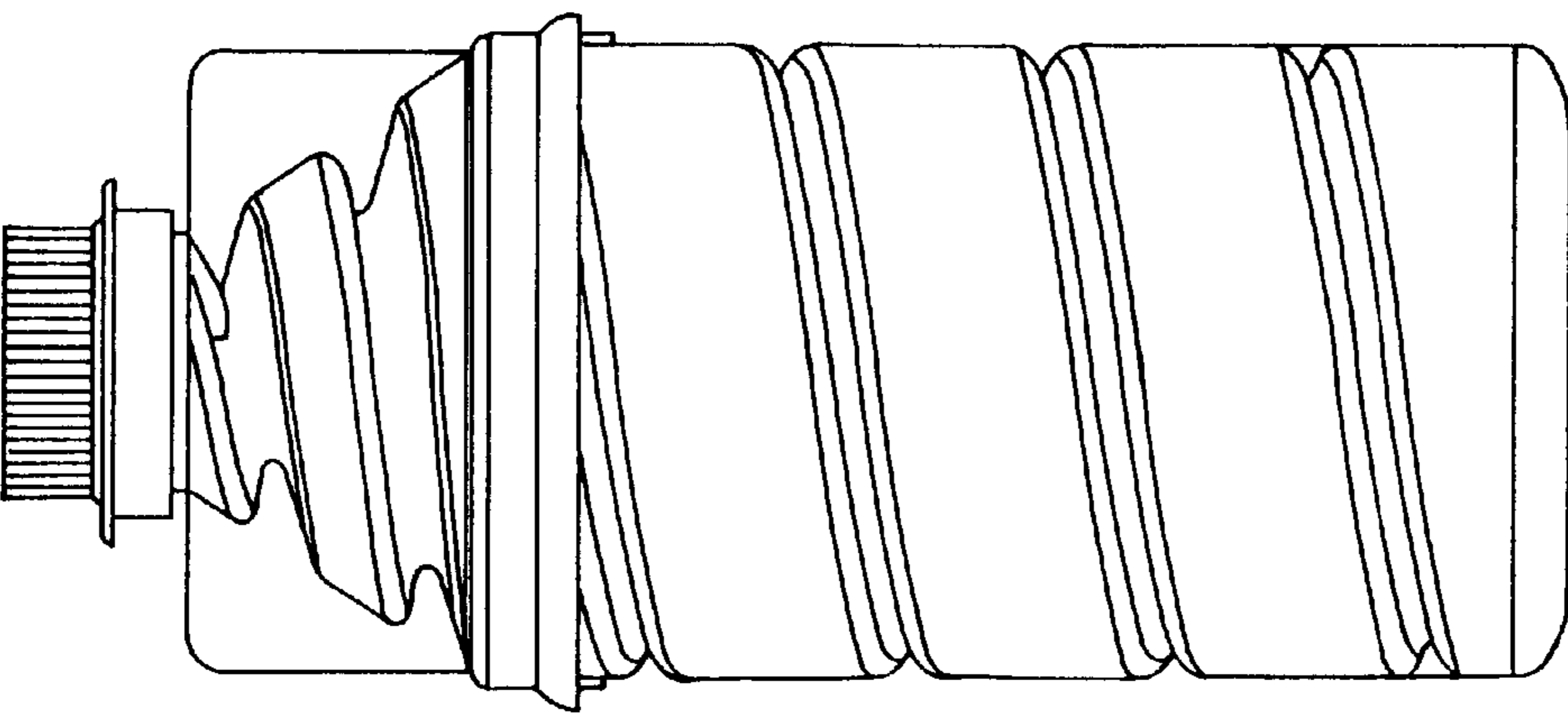


FIG. 3

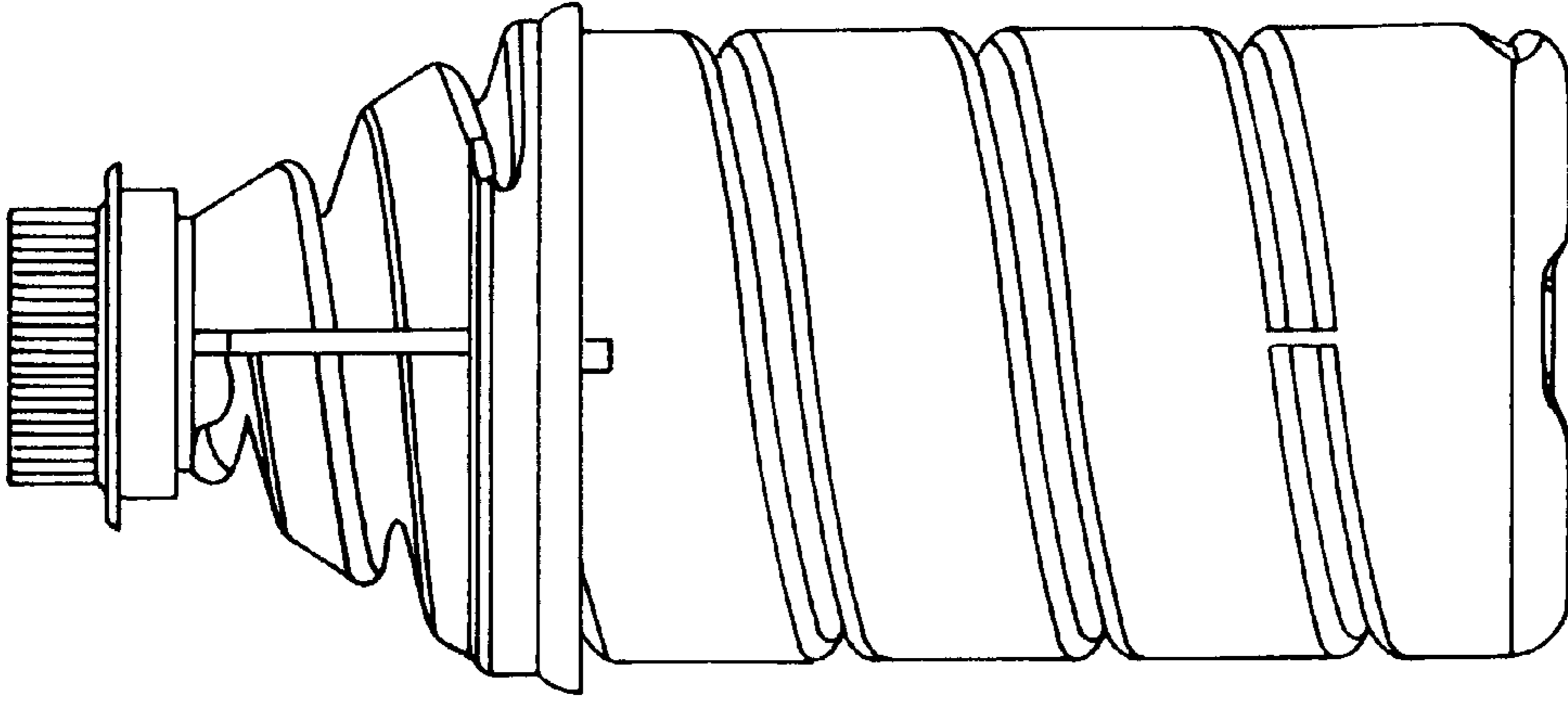


FIG. 4

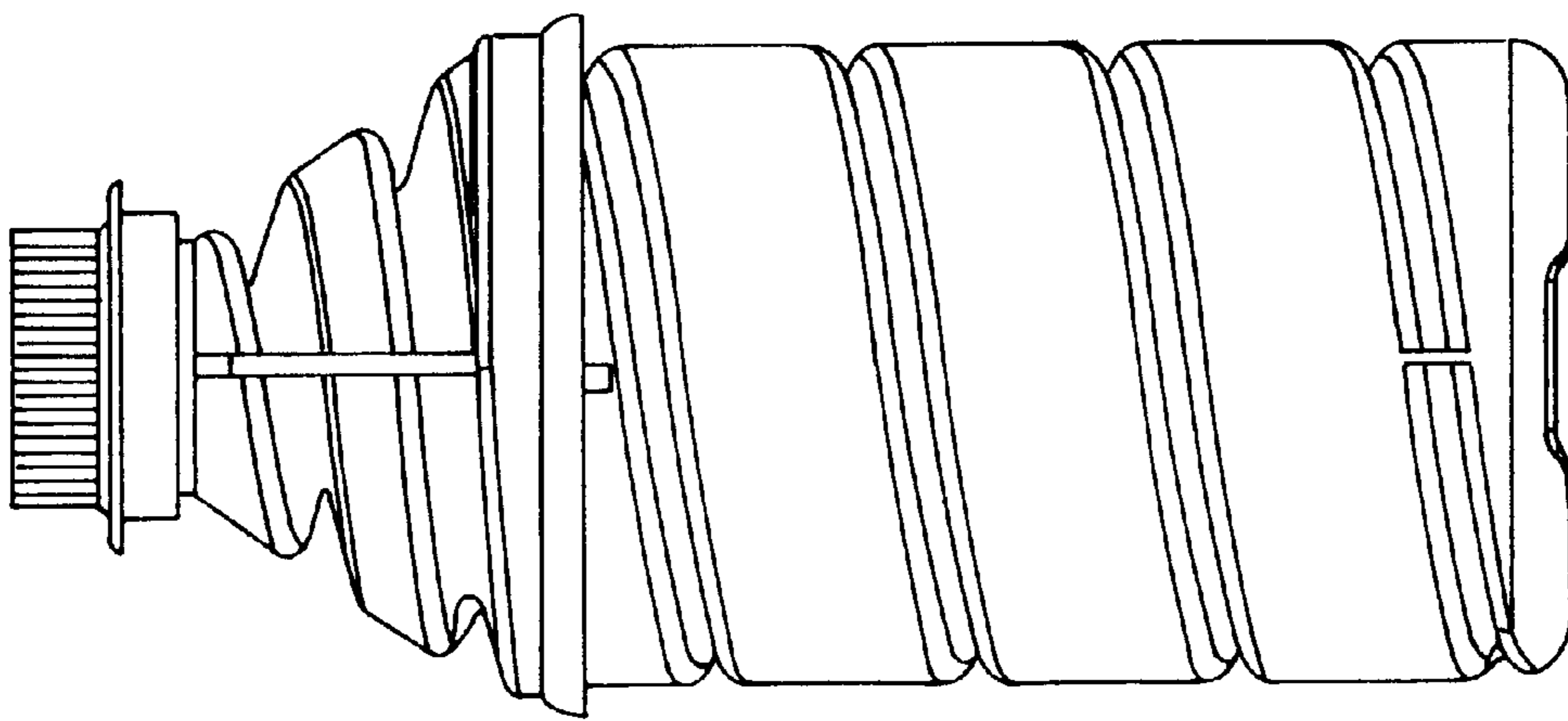


FIG. 5

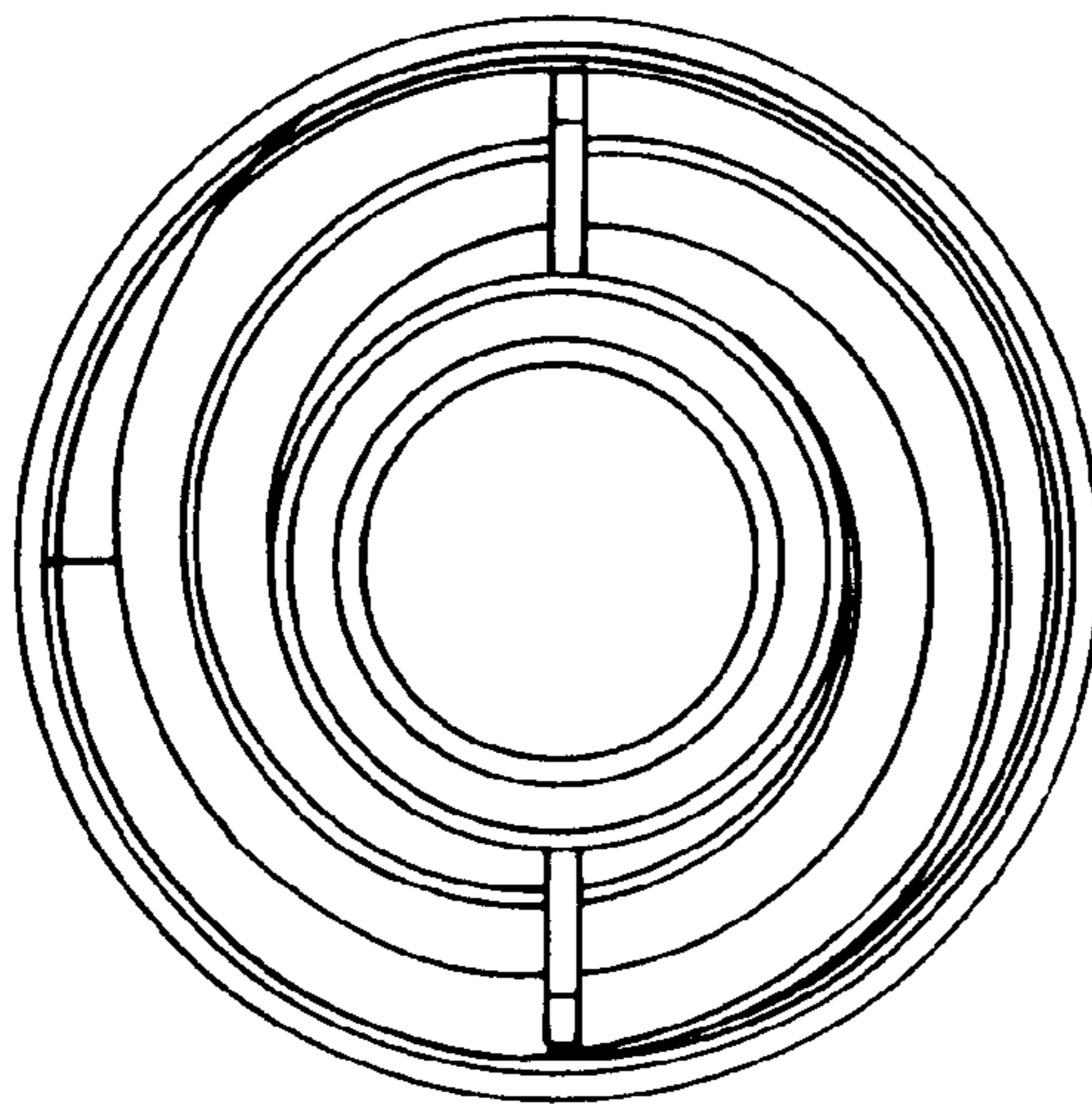


FIG. 6

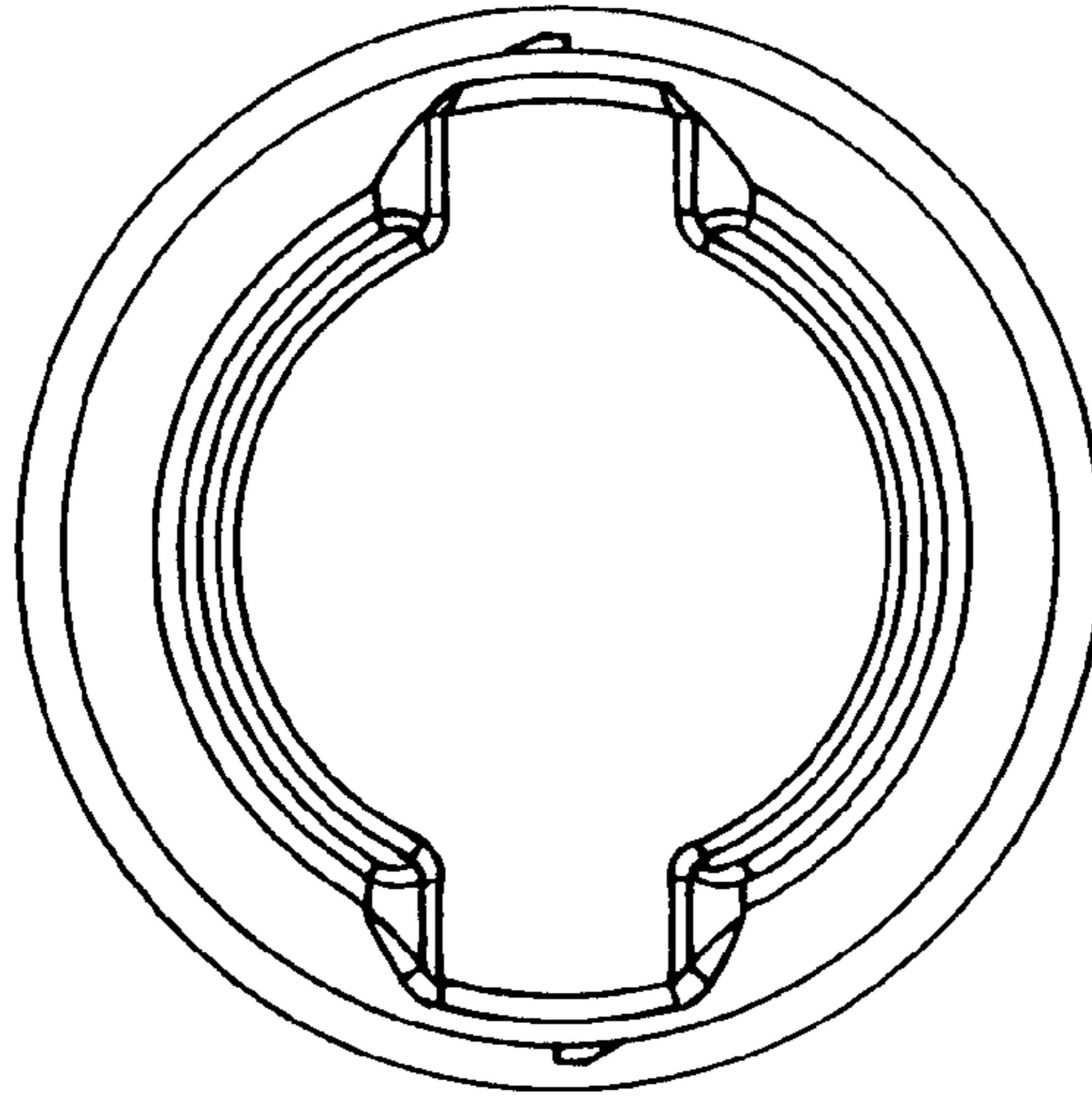


FIG. 7