



US00D473584S

(12) **United States Design Patent** (10) **Patent No.:** **US D473,584 S**
Benavides et al. (45) **Date of Patent:** **** Apr. 22, 2003**

(54) **EYEGLASSES FRAME WITH FRONT-FOLDING CROSSING TEMPLES**

6,000,795 A 12/1999 Van Rysselberghe
6,048,062 A 4/2000 Chow
D437,339 S * 2/2001 Tsoli D16/335

(75) Inventors: **Nestor M. Benavides**, Gaithersburg, MD (US); **Matthew Laine**, Severna Park, MD (US); **Brian E. Le Gette**, Baltimore, MD (US); **Alan Tipp**, Baltimore, MD (US); **Justin S. Werner**, Millersville, MD (US); **Ronald L. Wilson, II**, Catonsville, MD (US)

FOREIGN PATENT DOCUMENTS

AU B-48042/79 5/1983
JP 2001-004961 1/2001
WO WO 00/22475 4/2000

OTHER PUBLICATIONS

Photographs of sunglasses (Briko models Zen, Shot.2, Radar, and Echoes) publicly available from Briko USA, West Lebanon, New Hampshire prior to Aug. 31, 2000 (pp. 1-29).

Brochure of sunglasses by Minima® Sport.

* cited by examiner

Primary Examiner—Raphael Barkai
(74) *Attorney, Agent, or Firm*—Cooley Godward LLP

(73) Assignee: **Gray Matter Holdings, LLC**, Baltimore, MD (US)

(**) Term: **14 Years**

(21) Appl. No.: **29/147,530**

(22) Filed: **Aug. 31, 2001**

(51) **LOC (7) Cl.** **16-06**

(52) **U.S. Cl.** **D16/335**

(58) **Field of Search** D16/300-330,
D16/334, 335; D29/109, 110; 351/41, 44,
51, 52, 63, 111, 115, 118, 153, 158; 2/448

(57) **CLAIM**

The ornamental design for an eyeglasses frame with front-folding crossing temples or similar article, as shown and described.

DESCRIPTION

This application is related to concurrently filed U.S. patent application Ser. No. 09/943,064 entitled "Eyeglasses Frame with Rotatable Temples," and is related to concurrently filed U.S. Design patent application Ser. No. 29/147,529 entitled "Eyeglasses Frame with Front-Folding Overlapping Temples," and is related to concurrently filed U.S. Design patent application Ser. No. 29/147,528 entitled "Eyeglasses Frame with Front-Folding Parallel Temples".

FIG. 1 is a front view of an eyeglasses frame with front-folding crossing temples;

FIG. 2 is a top view thereof; and,

FIG. 3 is a perspective view thereof.

The portion of the article depicted in broken lines is for illustrative purposes only and forms no part of the claimed design.

(56) **References Cited**

U.S. PATENT DOCUMENTS

- 2,031,771 A 2/1936 Grier
- 3,049,974 A * 8/1962 Miwa
- 3,361,515 A 1/1968 Vanderbeek
- 3,476,466 A * 11/1969 Hopkins 351/115
- 3,533,687 A 10/1970 Herzig
- 4,050,785 A * 9/1977 Auge 351/153
- 4,662,729 A 5/1987 Dobson
- 4,820,035 A 4/1989 Kanda
- 4,848,861 A 7/1989 McCulley
- 5,137,342 A 8/1992 Jannard et al.
- 5,448,317 A * 9/1995 Huang 351/63
- 5,610,669 A 3/1997 Kuipers et al.
- 5,638,146 A 6/1997 Nannini
- 5,638,147 A 6/1997 Wang-Lee
- 5,764,330 A 6/1998 Simioni
- 5,896,186 A 4/1999 Roban
- 5,980,036 A 11/1999 Solomon

1 Claim, 2 Drawing Sheets

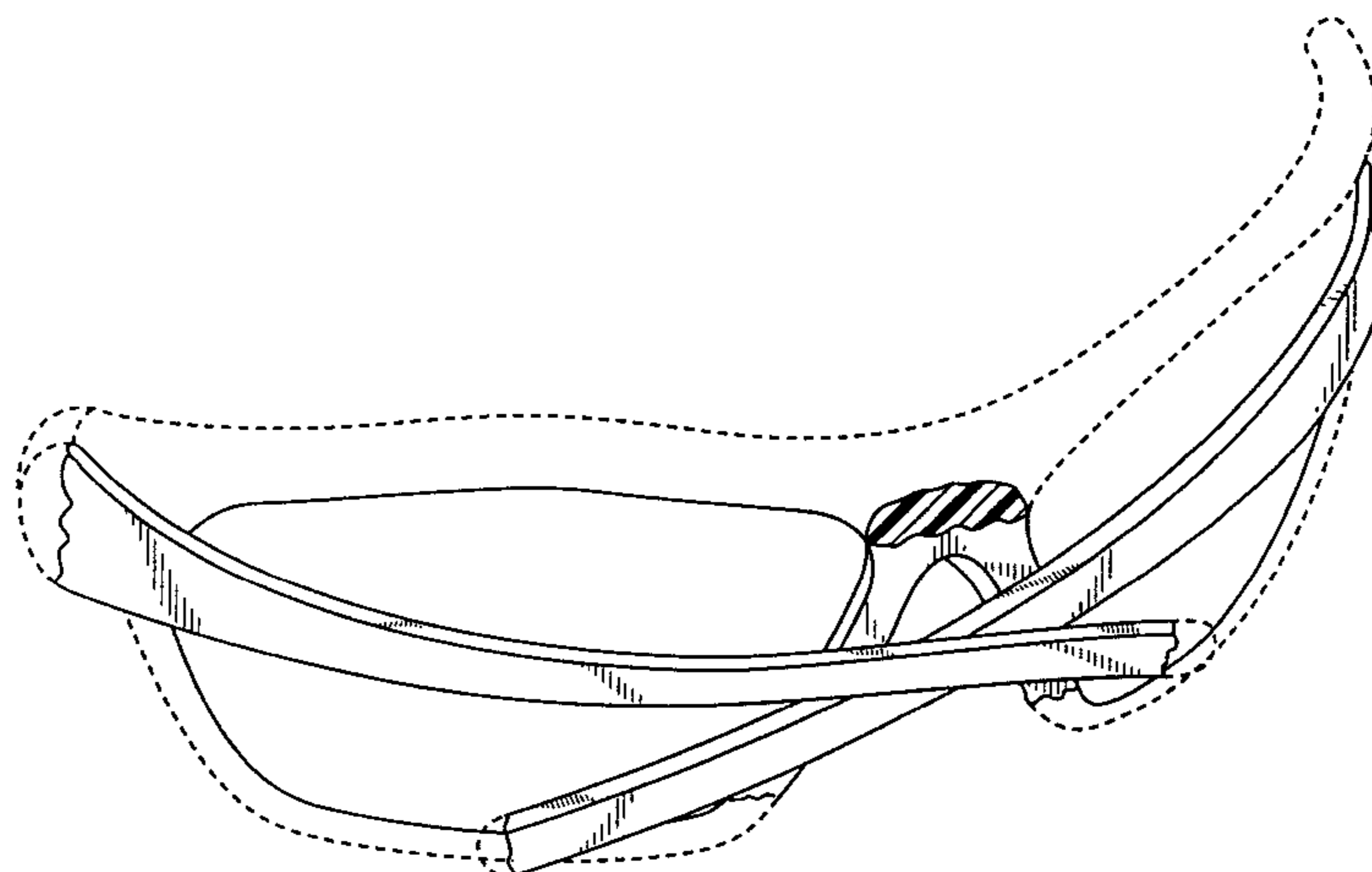


FIG. 1

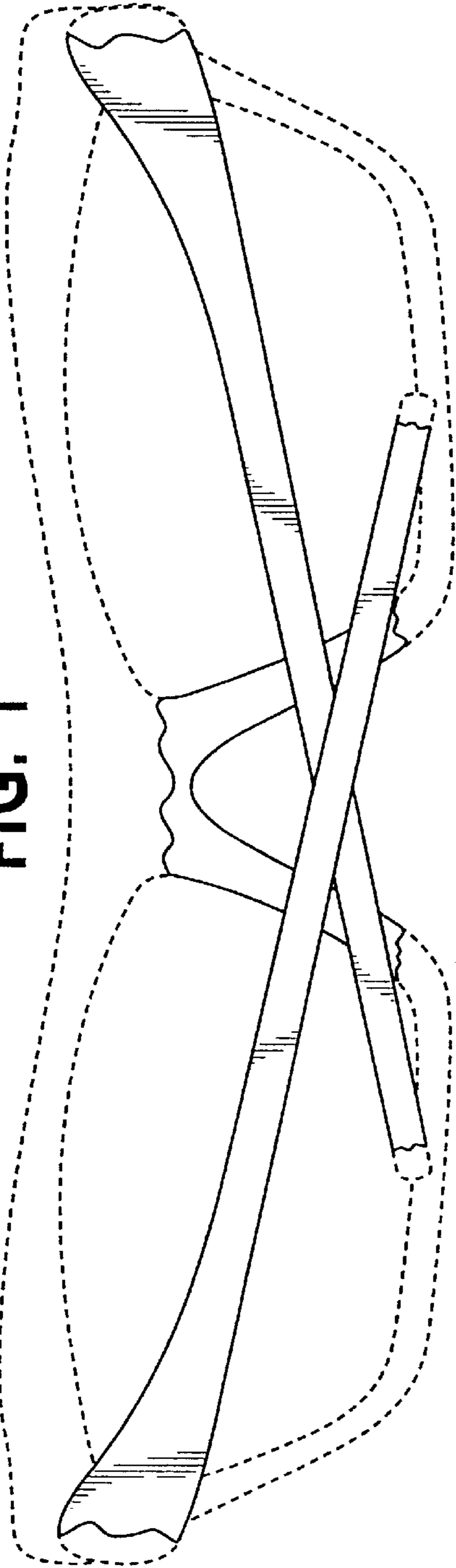


FIG. 2

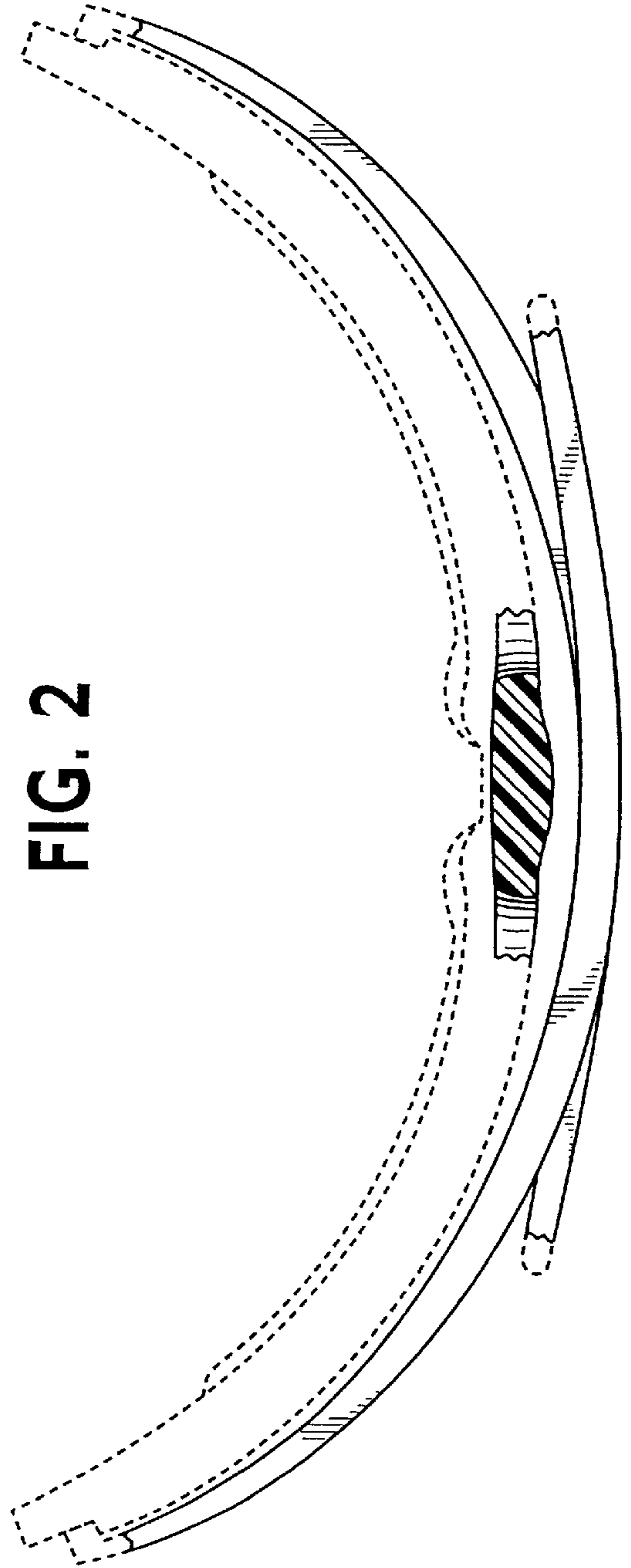


FIG. 3

