



US00D473579S

(12) **United States Design Patent**
Katayama et al.

(10) **Patent No.:** **US D473,579 S**

(45) **Date of Patent:** **** Apr. 22, 2003**

(54) **DIGITAL STILL CAMERA**

(75) Inventors: **Yuji Katayama**, Shibuya-ku (JP); **Keita Tanaka**, Meguro-ku (JP)

(73) Assignee: **Kabushiki Kaisha Toshiba**, Tokyo (JP)

(**) Term: **14 Years**

(21) Appl. No.: **29/161,846**

(22) Filed: **Jun. 6, 2002**

(30) **Foreign Application Priority Data**

Feb. 4, 2002 (JP) 2002-002408

(51) **LOC (7) Cl.** **16-01**

(52) **U.S. Cl.** **D16/202**

(58) **Field of Search** D16/200-205,
D16/208, 209, 218, 219; 396/6, 7, 535-541;
348/373-376

(56) **References Cited**

U.S. PATENT DOCUMENTS

D323,666 S	*	2/1992	Yu	D16/200
5,555,052 A	*	9/1996	Pearson	396/538
D396,481 S		7/1998	Shibata et al.	D16/202
D411,851 S	*	7/1999	Song	D16/209
D425,093 S	*	5/2000	Chang	D16/209
D426,252 S	*	6/2000	Ito et al.	D16/218
D437,869 S	*	2/2001	Nakanishi et al.	D16/219

FOREIGN PATENT DOCUMENTS

CN 3103894D 2/1999

DE	40010887	3/2001
JP	885877-1	10/1994
JP	1063650	3/2000
JP	1096828	1/2001
TW	416746	12/2000

OTHER PUBLICATIONS

Rollei/Kabushiki Kaisha Komamura Shokai, dated Mar. 2001.

* cited by examiner

Primary Examiner—Adir Aronovich

(74) *Attorney, Agent, or Firm*—Banner & Witcoff, Ltd.

(57) **CLAIM**

The ornamental design for a digital still camera, as shown and described.

DESCRIPTION

FIG. 1 is a top, front and right side perspective view of a digital still camera showing our new design, FIG. 2 is a front elevational view thereof, FIG. 3 is a top plan view thereof, FIG. 4 is a bottom plan view thereof, FIG. 5 is a left side elevational view thereof, FIG. 6 is a right side elevational view thereof; and, FIG. 7 is a rear elevational view thereof. Portions of the camera shown in broken lines are for illustrative purposes only and form no part of the claimed design.

1 Claim, 3 Drawing Sheets

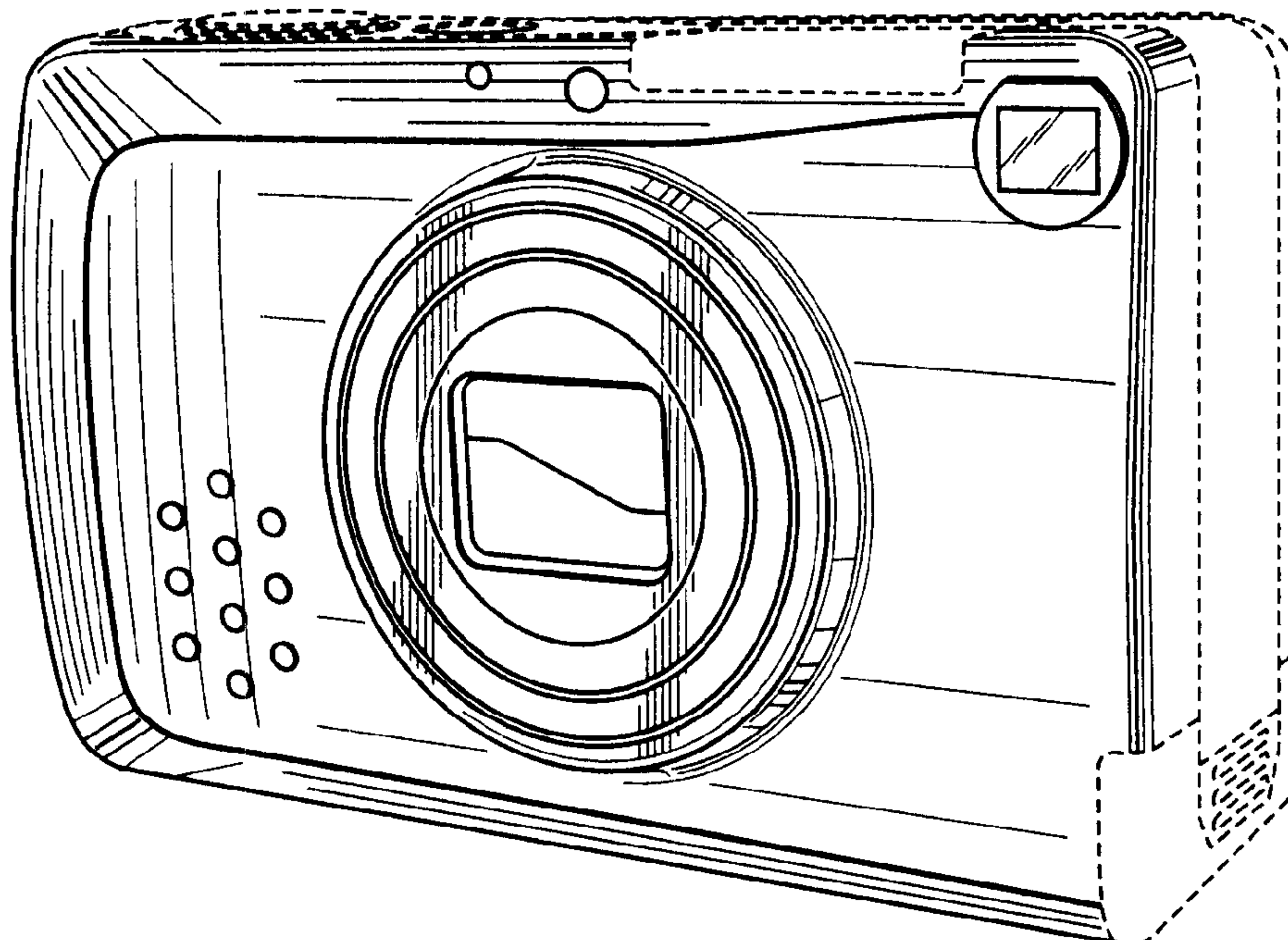


FIG. 1

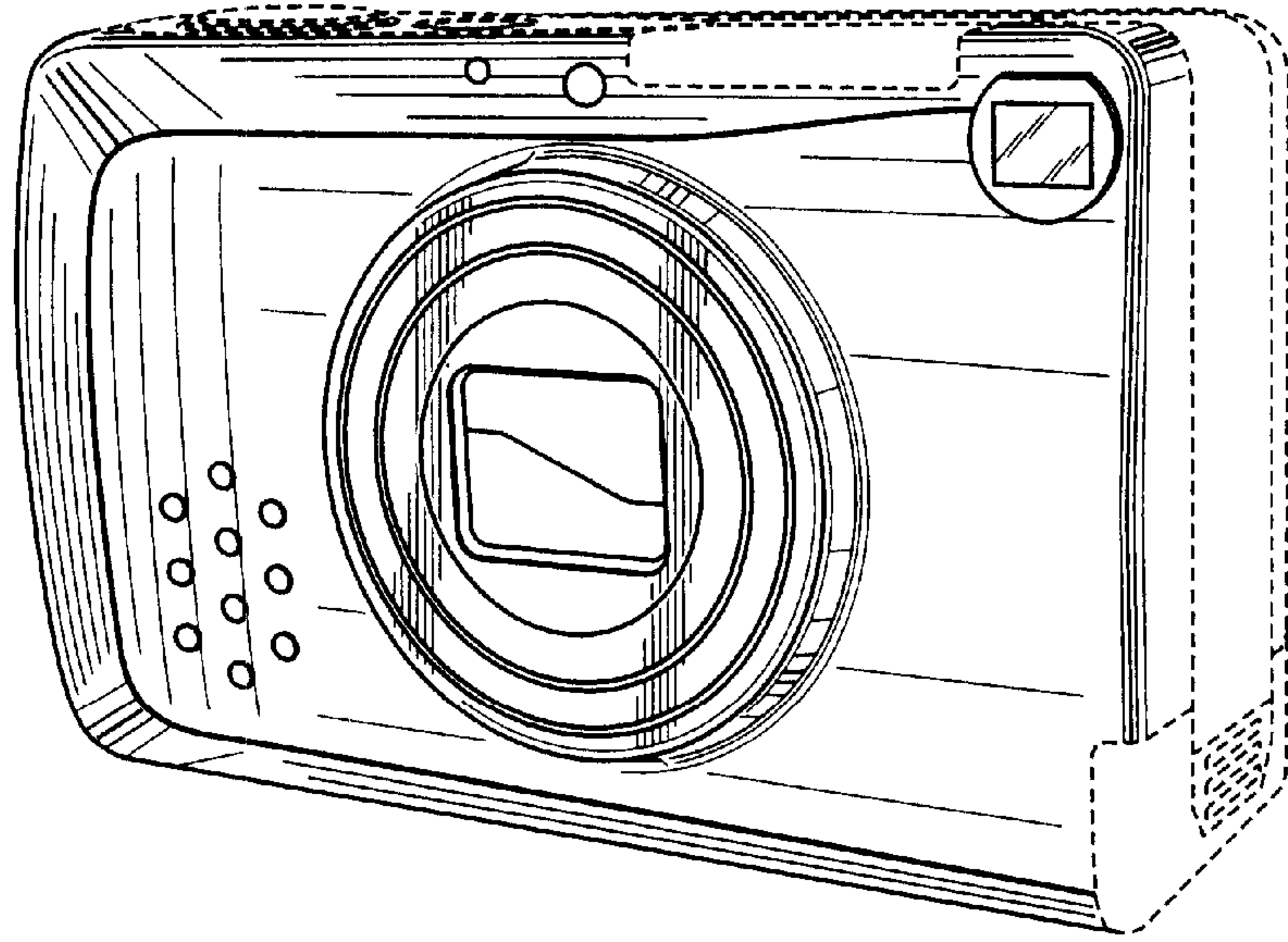


FIG. 2

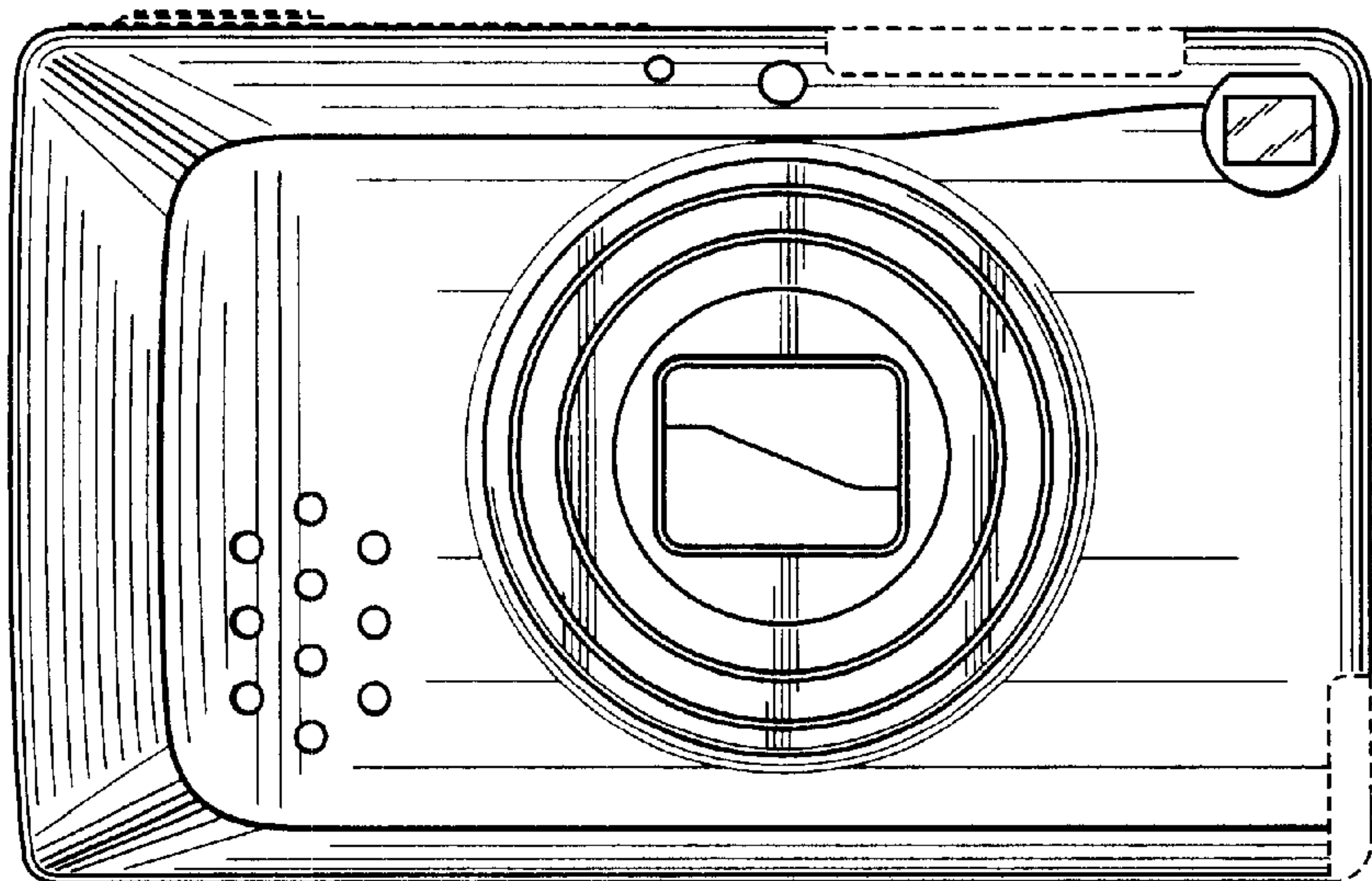


FIG. 3

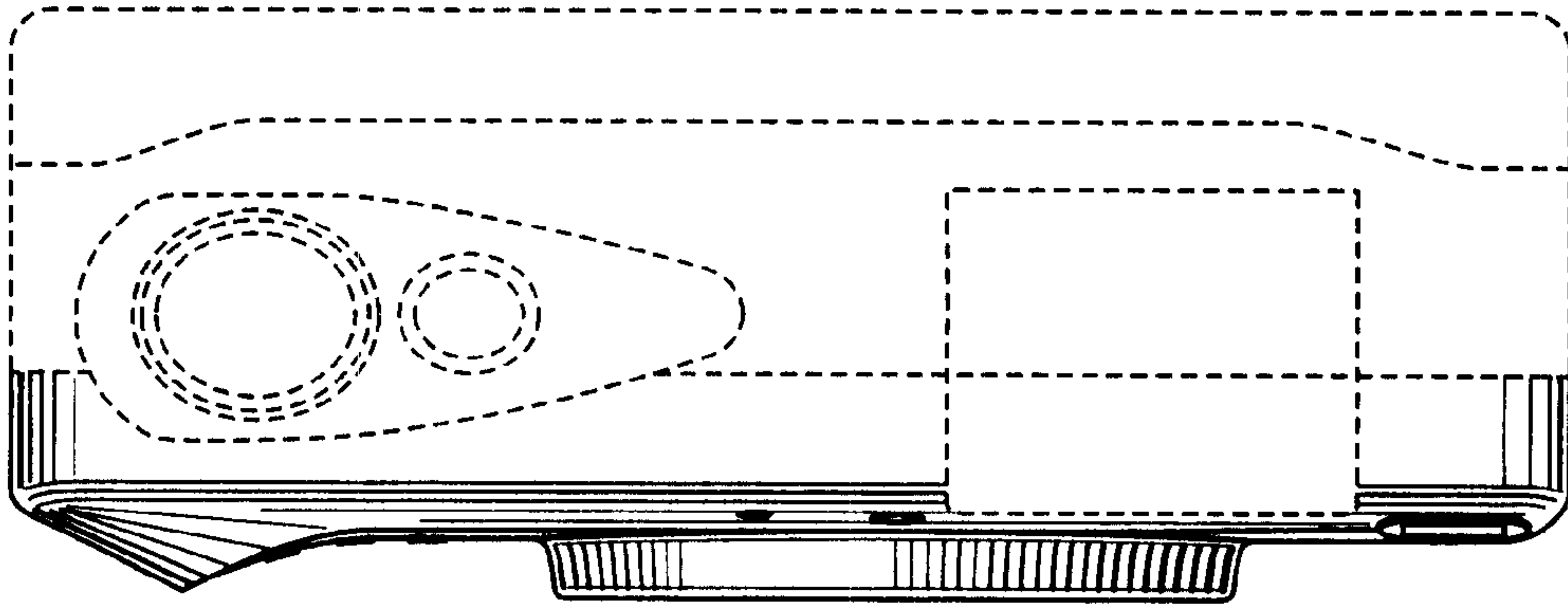


FIG. 4

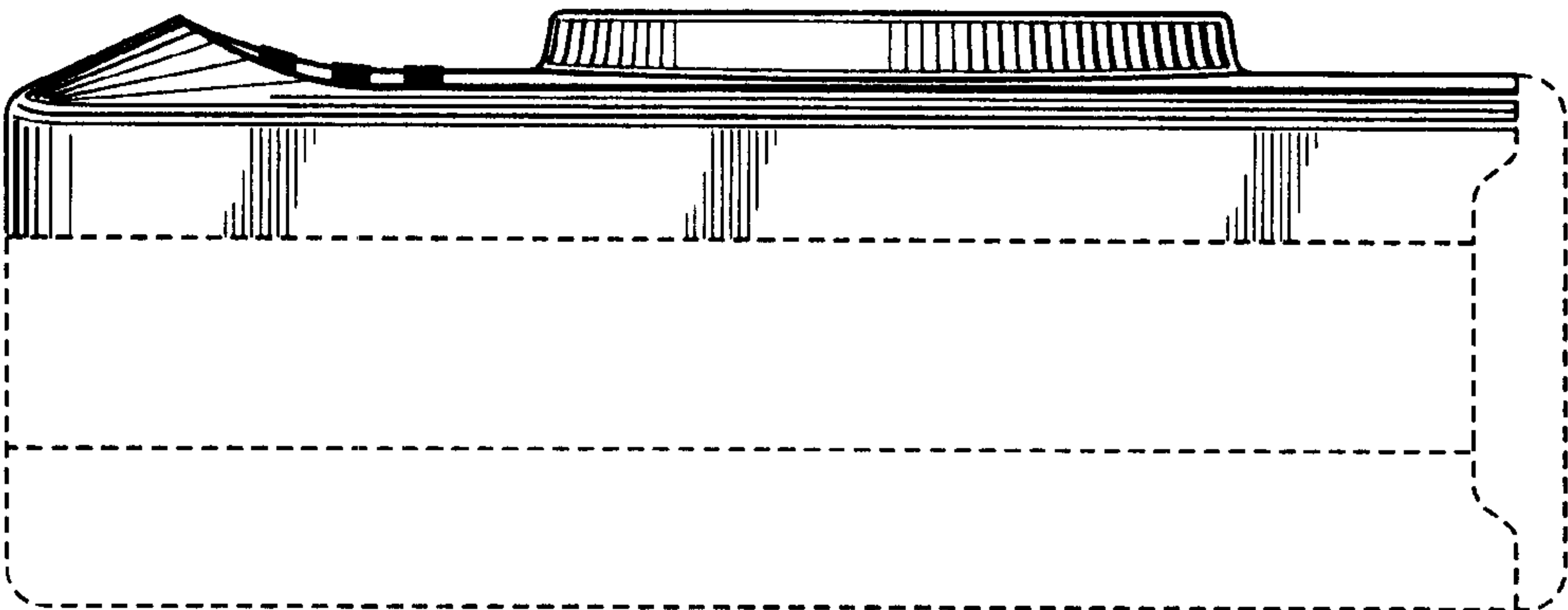


FIG. 5

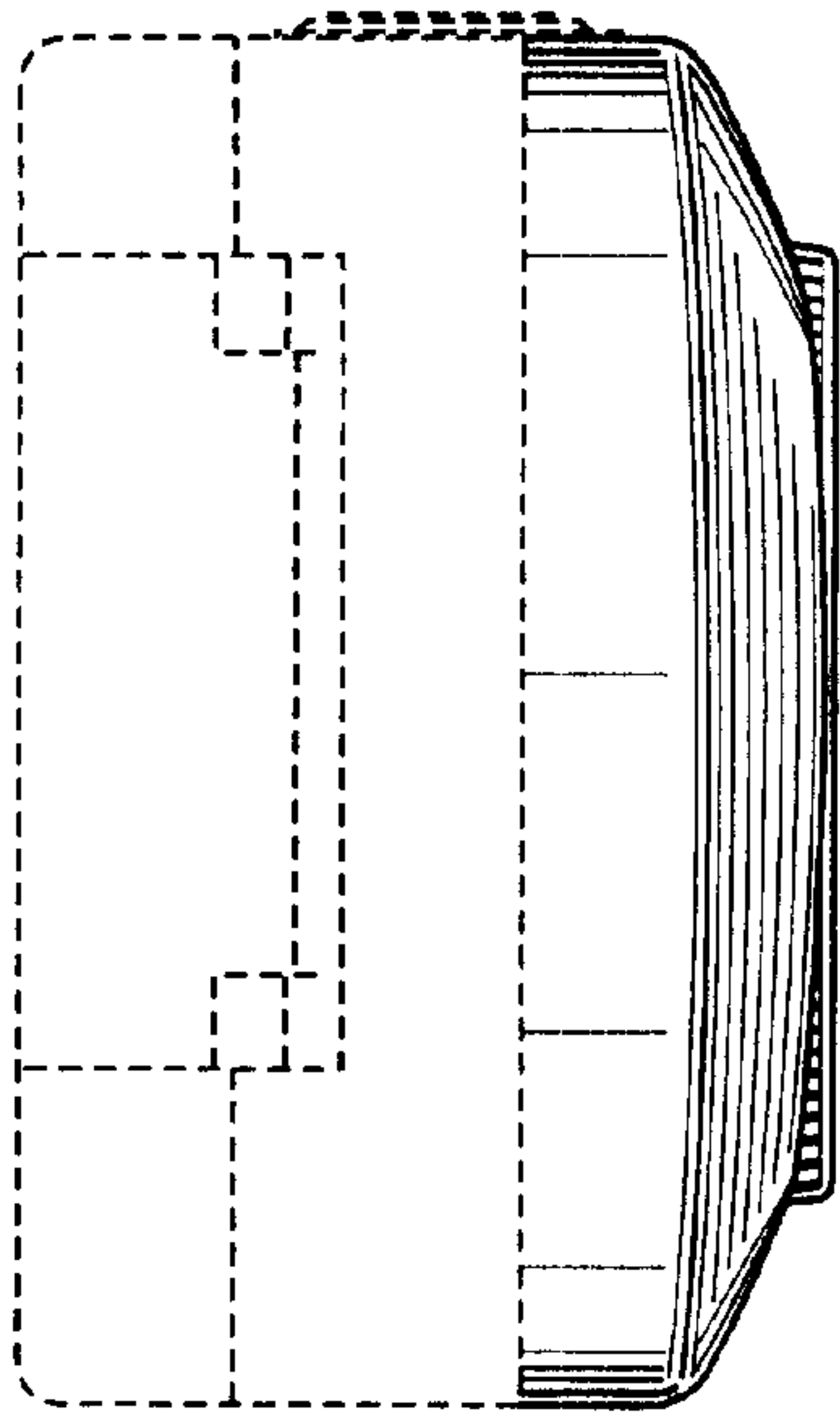


FIG. 6

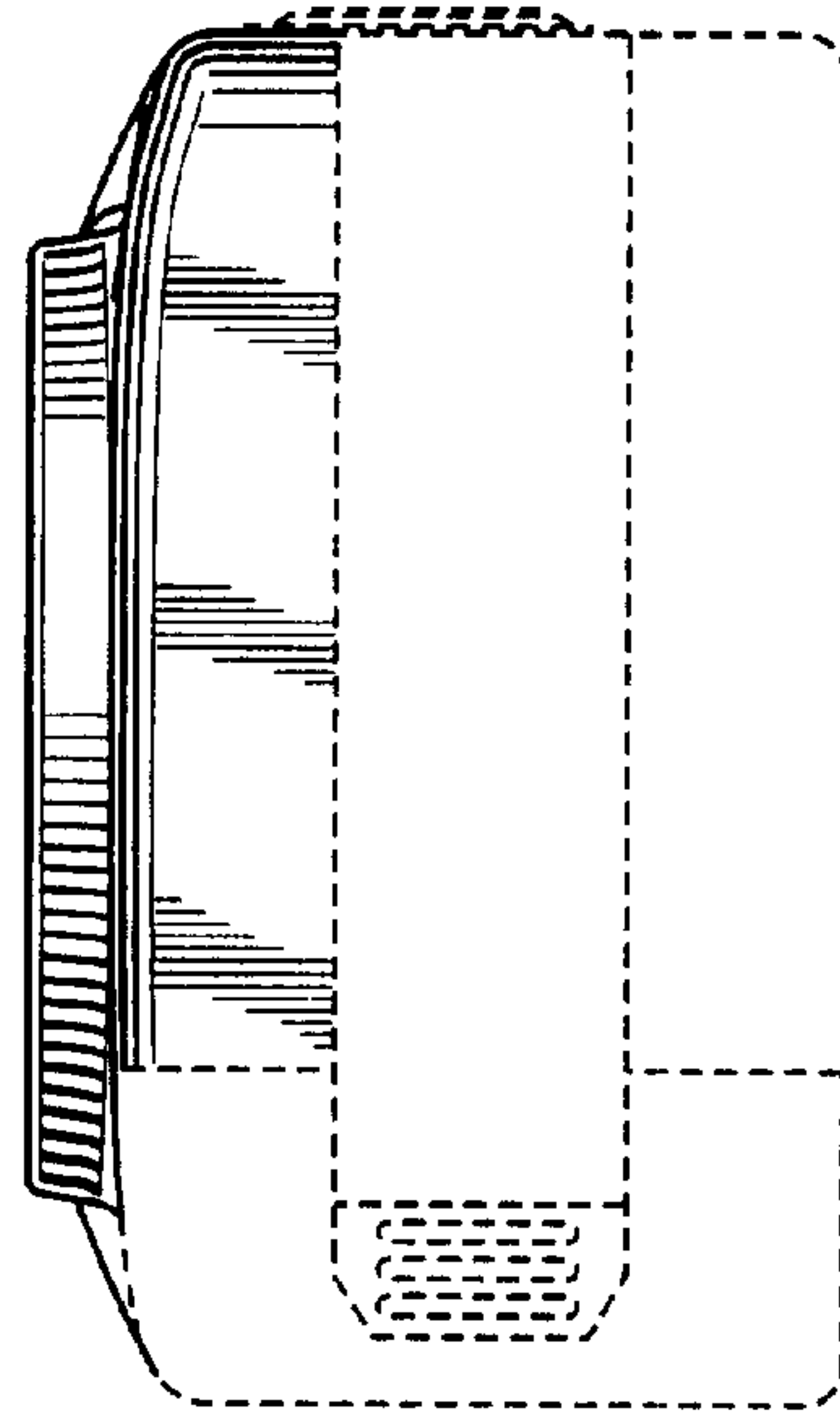


FIG. 7

