



US00D473578S

(12) **United States Design Patent**  
**Kondoh et al.**

(10) **Patent No.:** **US D473,578 S**

(45) **Date of Patent:** **\*\* Apr. 22, 2003**

(54) **VIDEO CAMERA WITH VIDEO TAPE RECORDER**

(75) Inventors: **Yuji Kondoh**, Yokohama (JP);  
**Yasuhiro Morishita**, Tokyo (JP)

(73) Assignee: **Canon Kabushiki Kaisha**, Tokyo (JP)

(\*\*) Term: **14 Years**

(21) Appl. No.: **29/161,596**

(22) Filed: **Jun. 4, 2002**

(30) **Foreign Application Priority Data**

Dec. 5, 2001 (JP) ..... 2001-035930

(51) **LOC (7) Cl.** ..... **16-01**

(52) **U.S. Cl.** ..... **D16/202**

(58) **Field of Search** ..... D16/200-206,  
D16/208; 348/373-376; 352/242, 243; 358/906;  
396/535-541

(56) **References Cited**

**U.S. PATENT DOCUMENTS**

D342,752 S \* 12/1993 Urushihara et al. .... D16/202

D356,806 S \* 3/1995 Kim ..... D16/202

5,499,052 A \* 3/1996 Nakanishi et al. .... 348/373

D439,263 S \* 3/2001 Shiotani ..... D16/202

D442,615 S \* 5/2001 Owada et al. .... D16/202

D455,769 S \* 4/2002 Owada ..... D16/202

\* cited by examiner

*Primary Examiner*—Adir Aronovich

(74) *Attorney, Agent, or Firm*—Fitzpatrick, Cella, Harper & Scinto

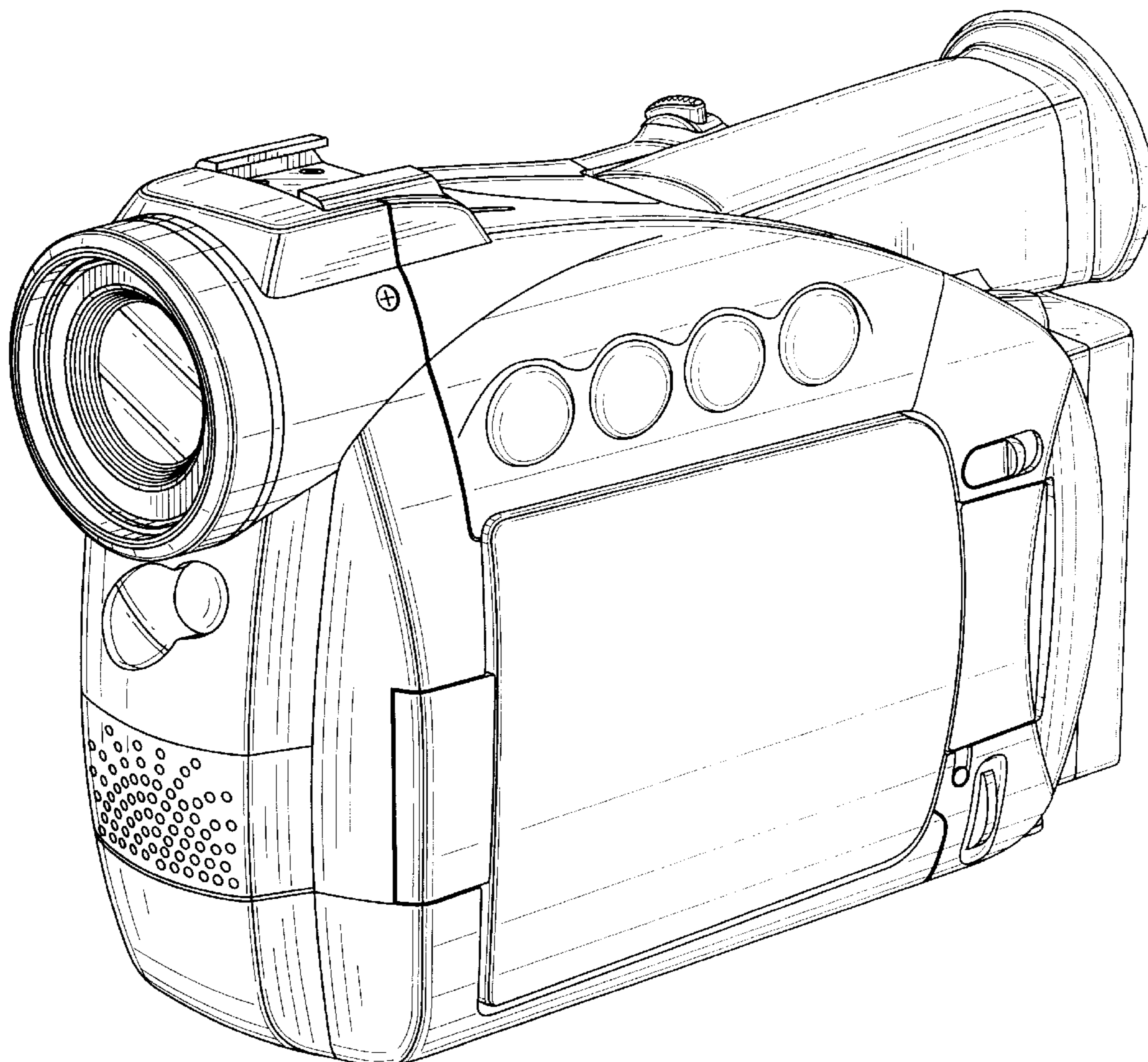
(57) **CLAIM**

The ornamental design for a video camera with video tape recorder, as shown and described.

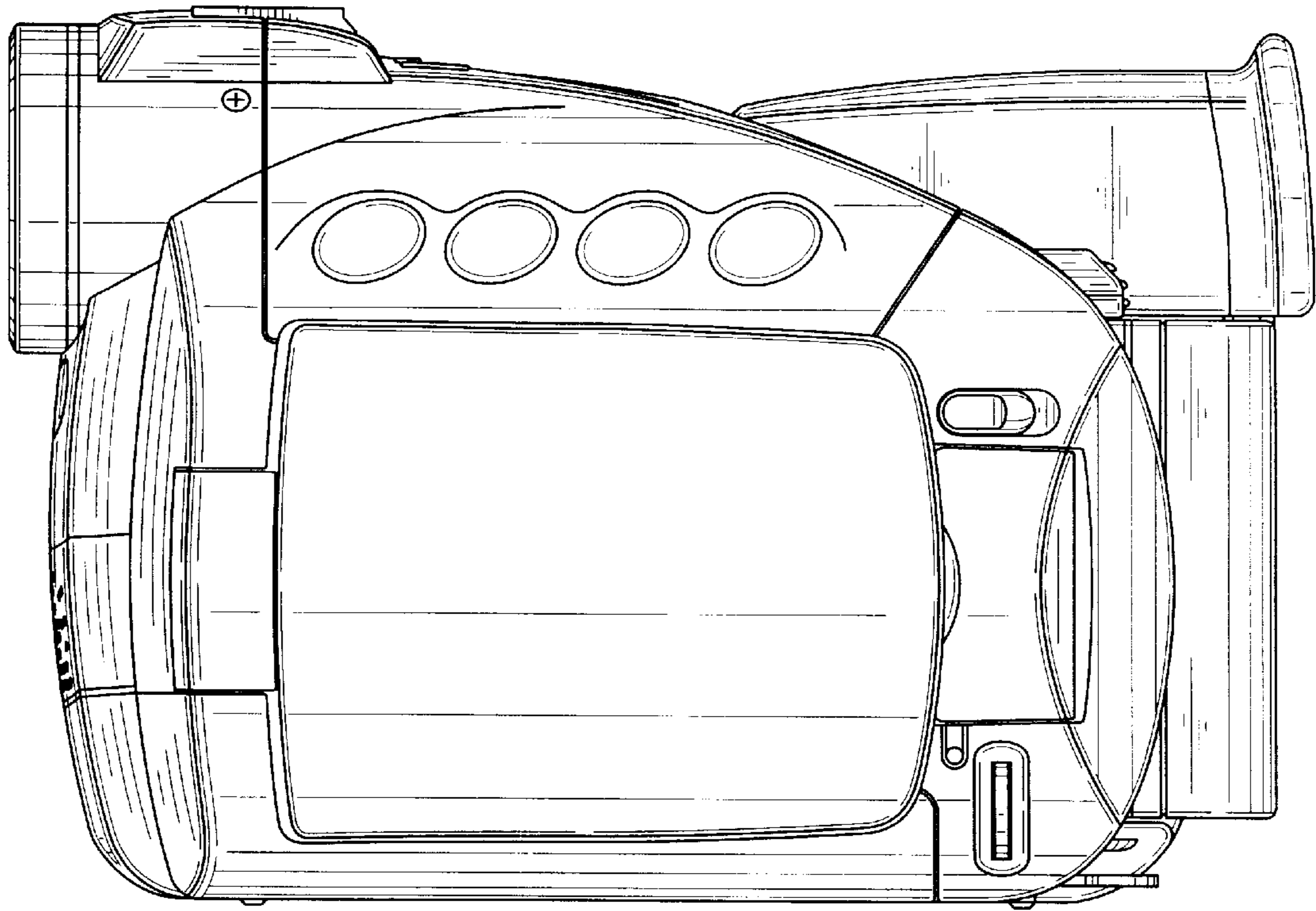
**DESCRIPTION**

FIG. 1 is a front view of a video camera with video tape recorder showing our new design;  
FIG. 2 is a rear view thereof;  
FIG. 3 is a top plan view thereof;  
FIG. 4 is a bottom plan view thereof;  
FIG. 5 is a left side view thereof;  
FIG. 6 is a right side view thereof; and,  
FIG. 7 is a perspective view thereof.

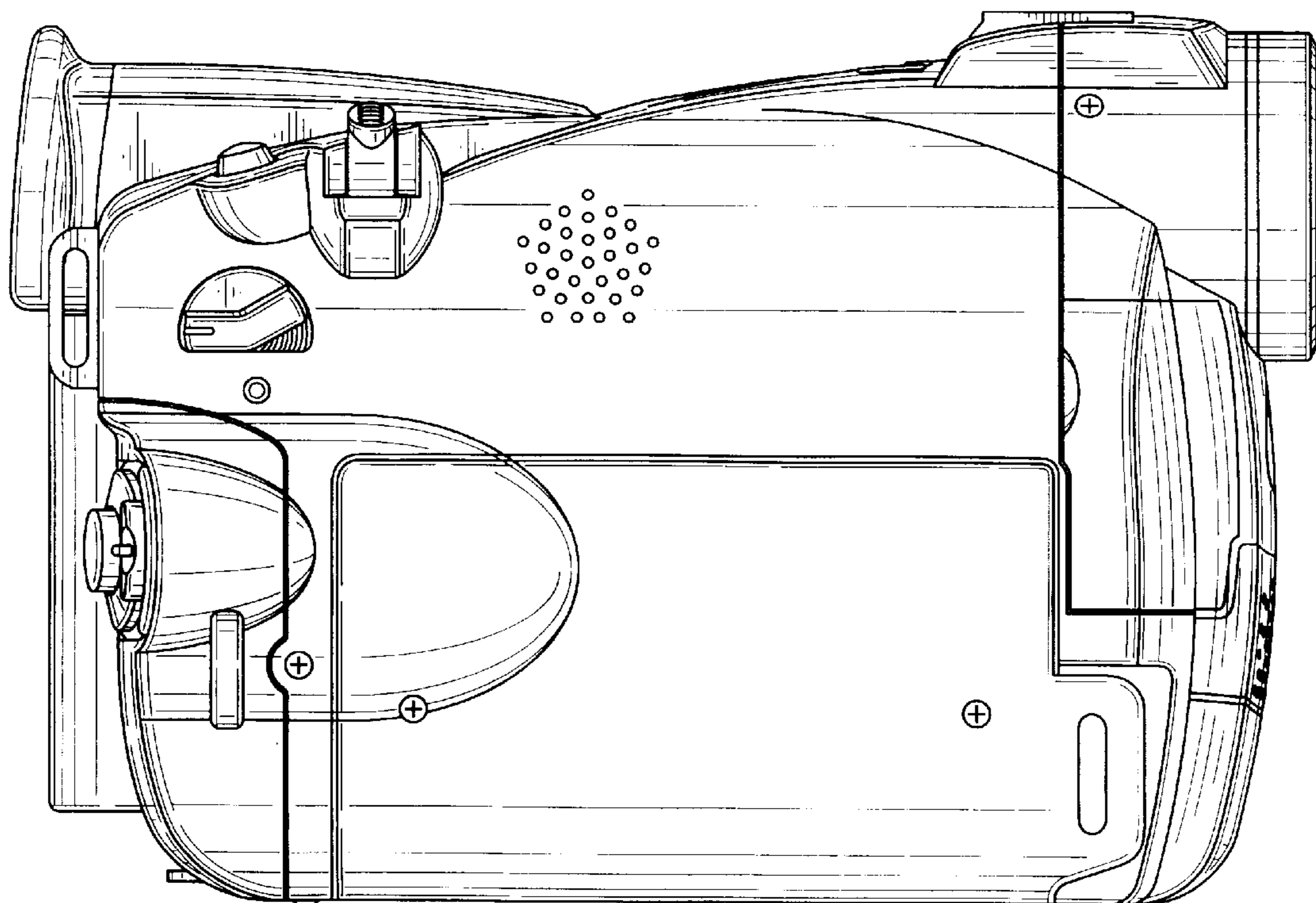
**1 Claim, 4 Drawing Sheets**



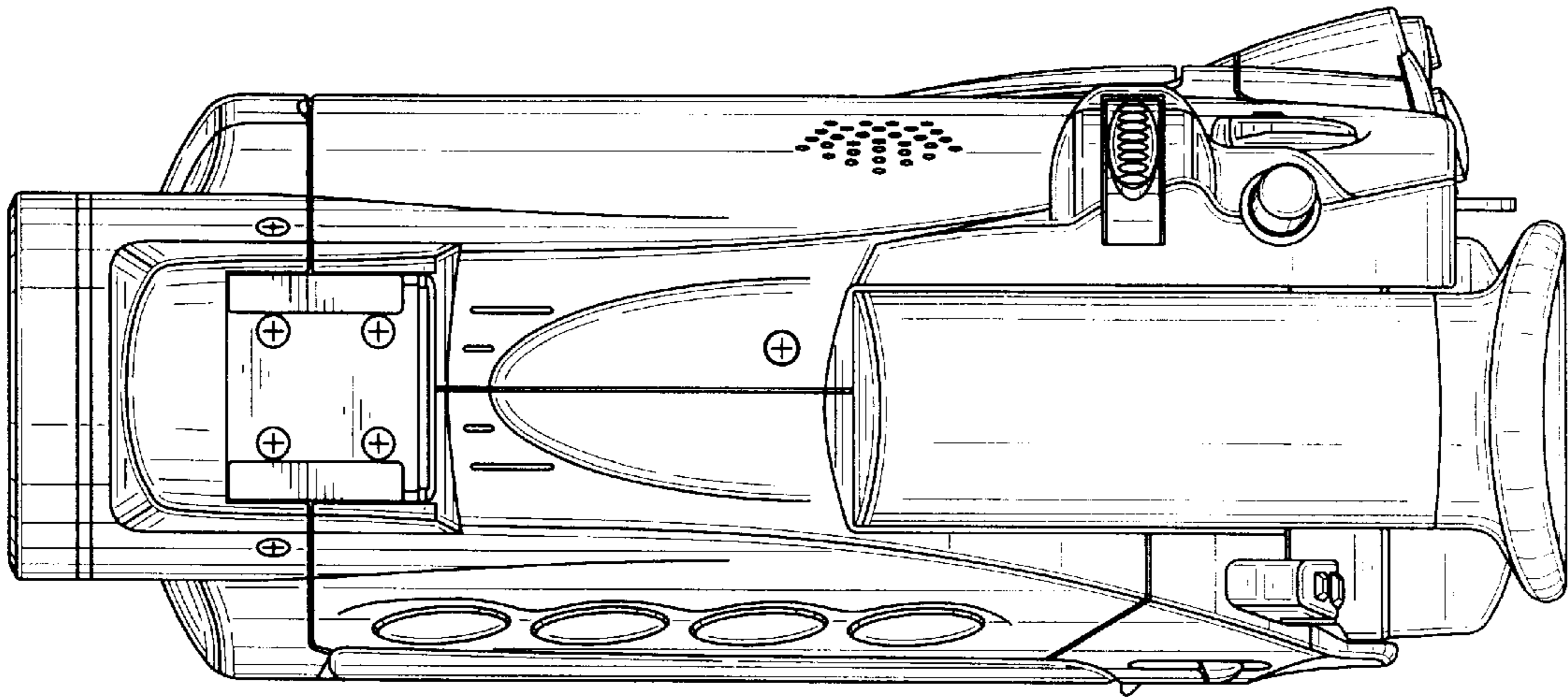
**FIG. 1**



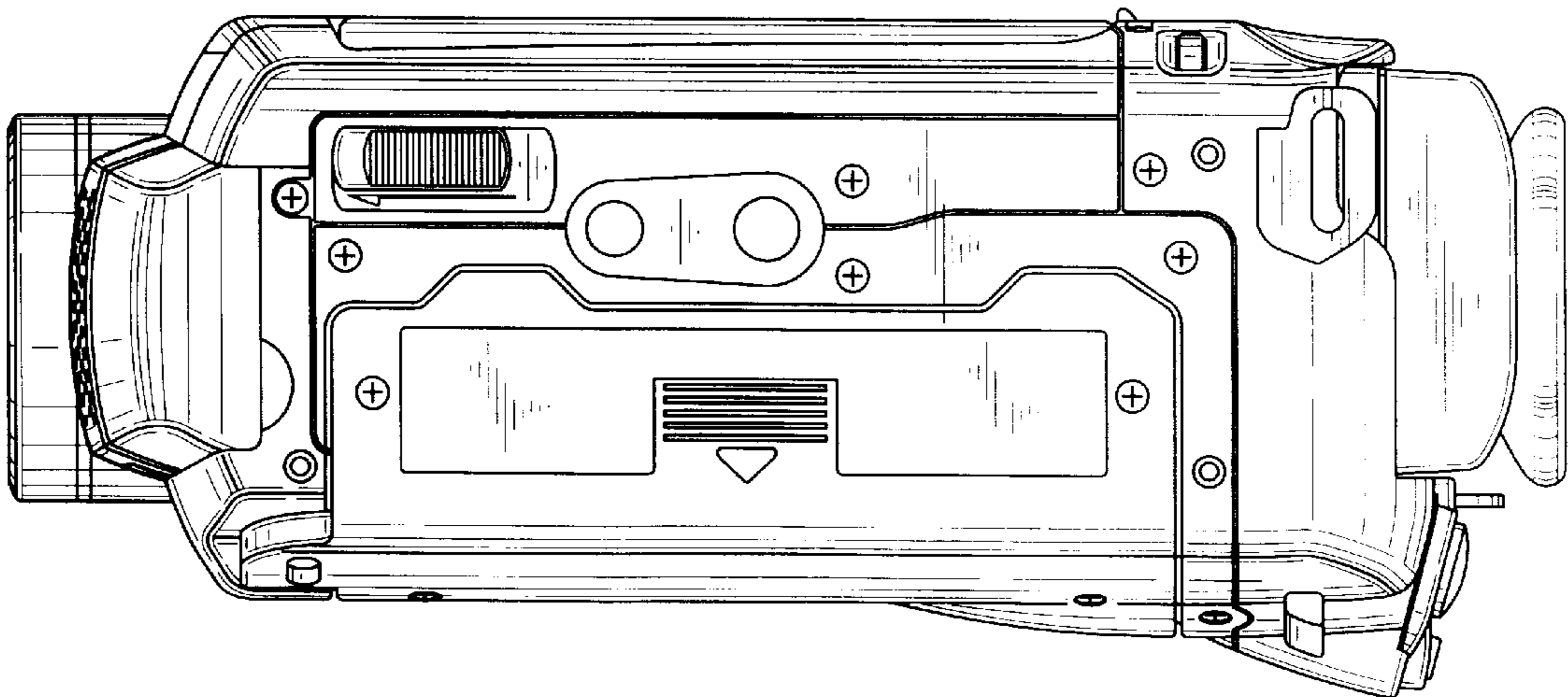
**FIG. 2**



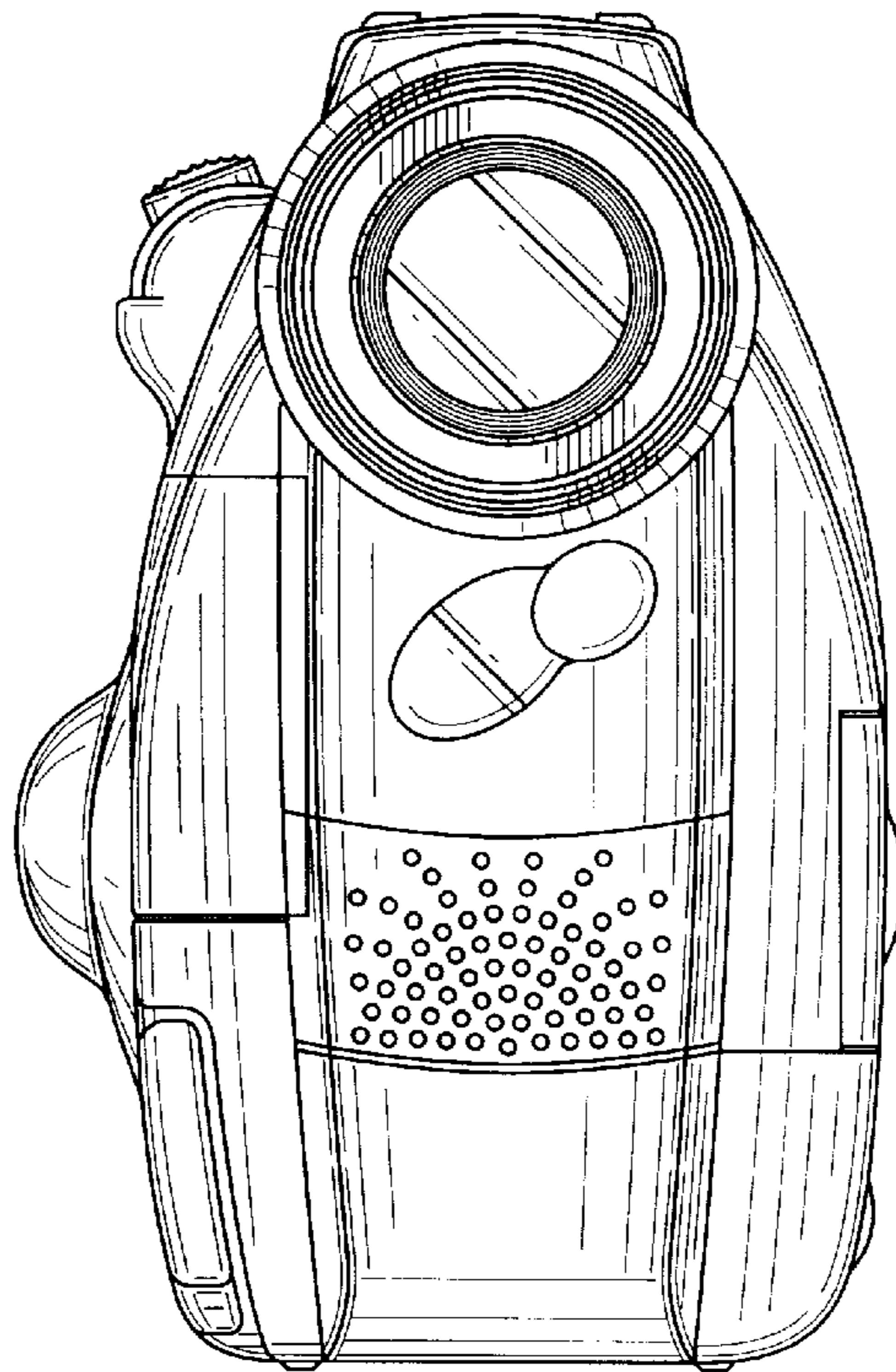
*FIG. 3*



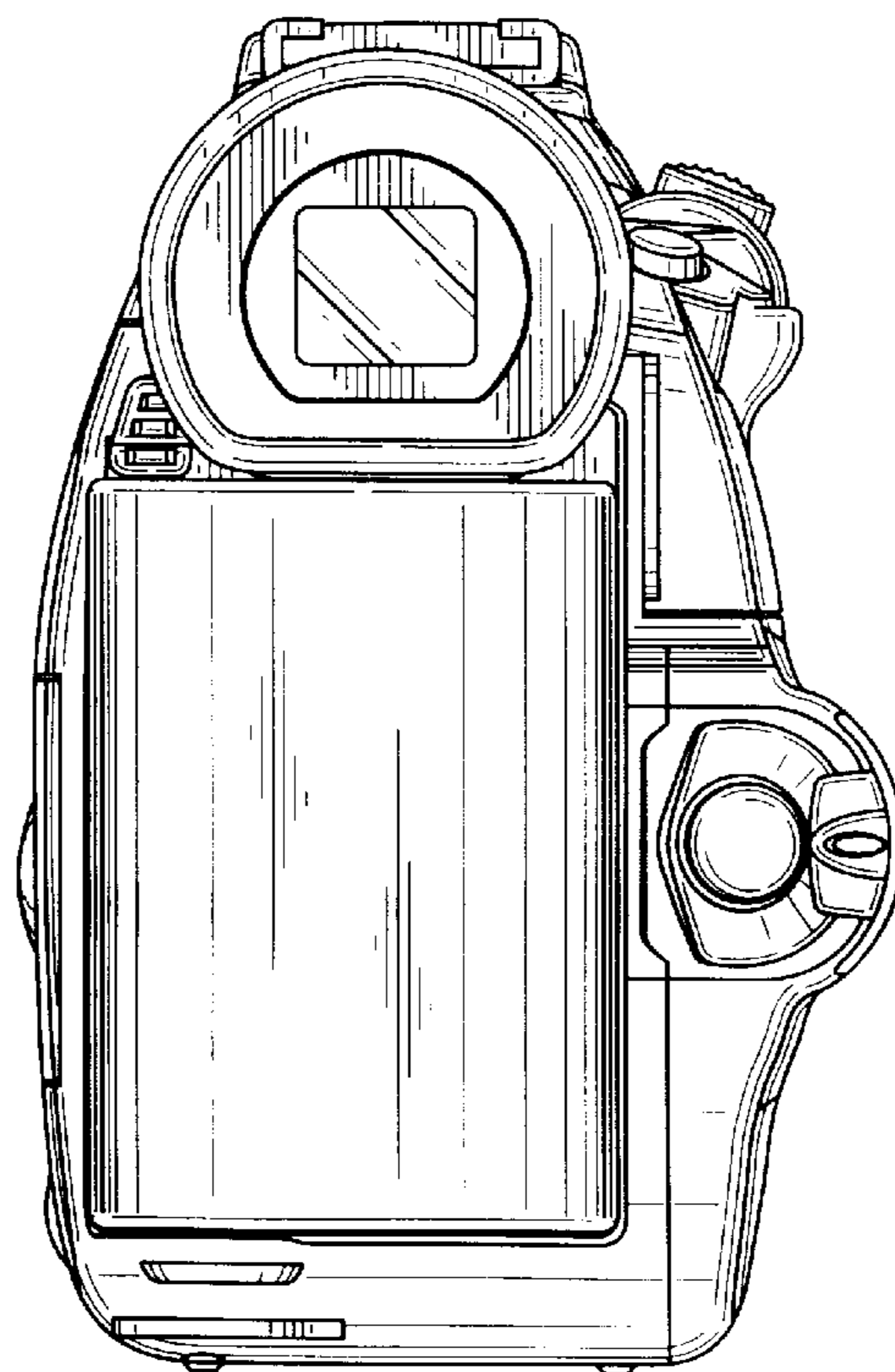
*FIG. 4*



**FIG. 5**



**FIG. 6**



*FIG. 7*

