



US00D473577S

(12) **United States Design Patent**
Nakamura

(10) **Patent No.:** **US D473,577 S**

(45) **Date of Patent:** **** Apr. 22, 2003**

(54) **DIGITAL STILL CAMERA**

D463,470 S * 9/2002 Tse D16/202

(75) Inventor: **Makoto Nakamura**, Kyoto (JP)

OTHER PUBLICATIONS

(73) Assignee: **Matsushita Electric Industrial Co., Ltd.**, Osaka (JP)

Camedia C-700 Ultra Zoom, *Olympus Catalog*, Sep. 2001.
Power Shot A20 and Power Shot A10, *Canon Catalog*, May 1, 2001.

(**) Term: **14 Years**

* cited by examiner

(21) Appl. No.: **29/161,442**

Primary Examiner—Adir Aronovich

(22) Filed: **May 29, 2002**

(74) *Attorney, Agent, or Firm*—Christensen O'Connor Johnson Kindness PLLC

(30) **Foreign Application Priority Data**

(57) **CLAIM**

Nov. 30, 2001 (JP) 2001-035266

The ornamental design for a digital still camera, as shown and described.

(51) **LOC (7) Cl.** **16-01**

DESCRIPTION

(52) **U.S. Cl.** **D16/202**; D16/209

(58) **Field of Search** D16/200-206,
D16/208, 209, 217, 218; 348/373-376;
358/906, 909.1; 396/535-543

FIG. 1 is a perspective view of the top, front and right side of a digital still camera showing my new design;
FIG. 2 is a front view thereof;
FIG. 3 is a rear view thereof;
FIG. 4 is a top plan view thereof;
FIG. 5 is a bottom view thereof;
FIG. 6 is a left side view thereof;
FIG. 7 is a right side view thereof; and,
FIG. 8 is a perspective view thereof with the lens in contained condition.

(56) **References Cited**

U.S. PATENT DOCUMENTS

- 4,456,931 A * 6/1984 Toyoda et al. 358/906
- D415,508 S * 10/1999 Shinano D18/202
- D426,252 S * 6/2000 Ito et al. D16/218
- D447,759 S * 9/2001 Jin D16/209
- D448,396 S * 9/2001 Miyazawa D16/202
- D457,903 S * 5/2002 Nasu D16/202

1 Claim, 8 Drawing Sheets

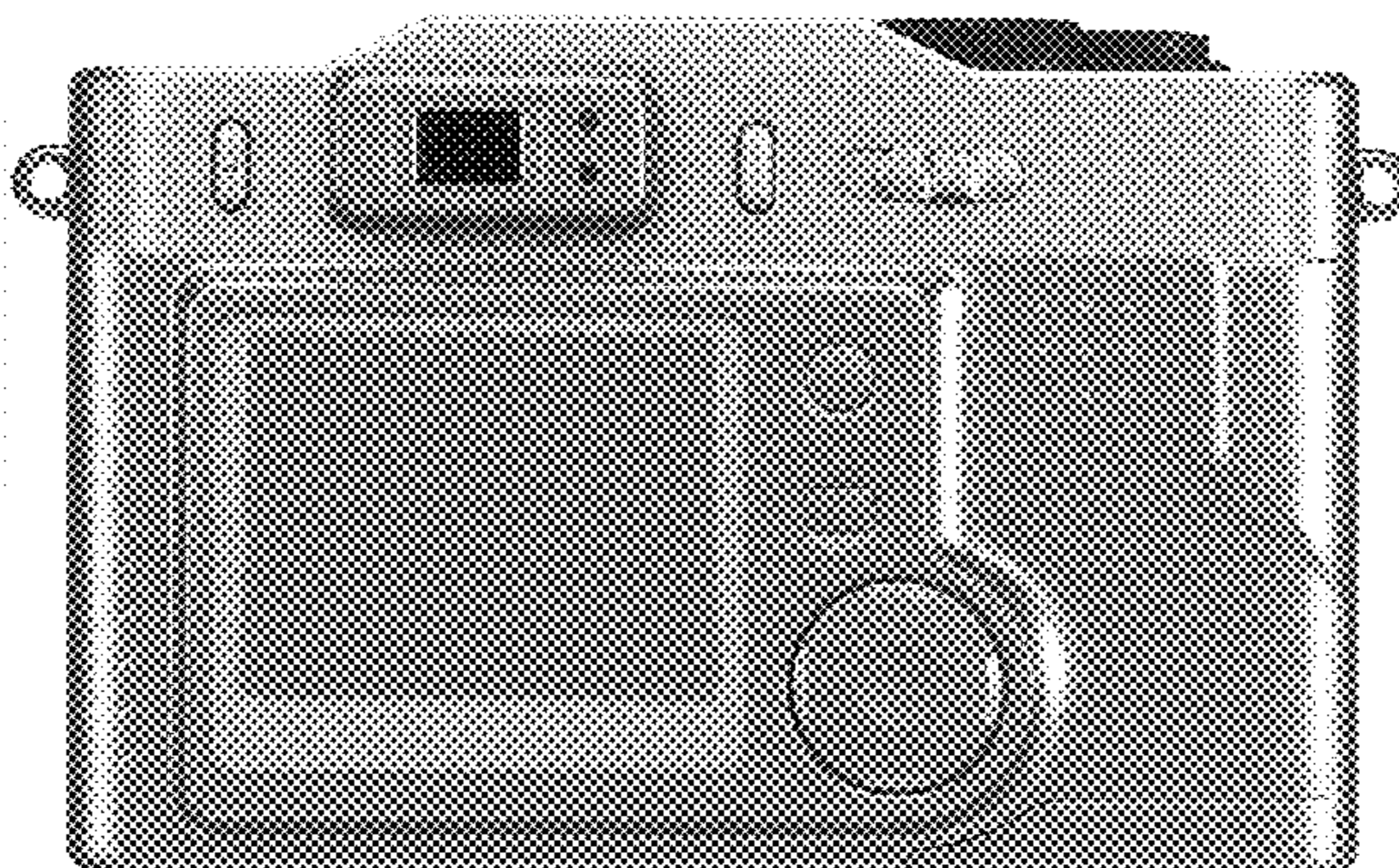




Fig. 1.



Fig. 2.

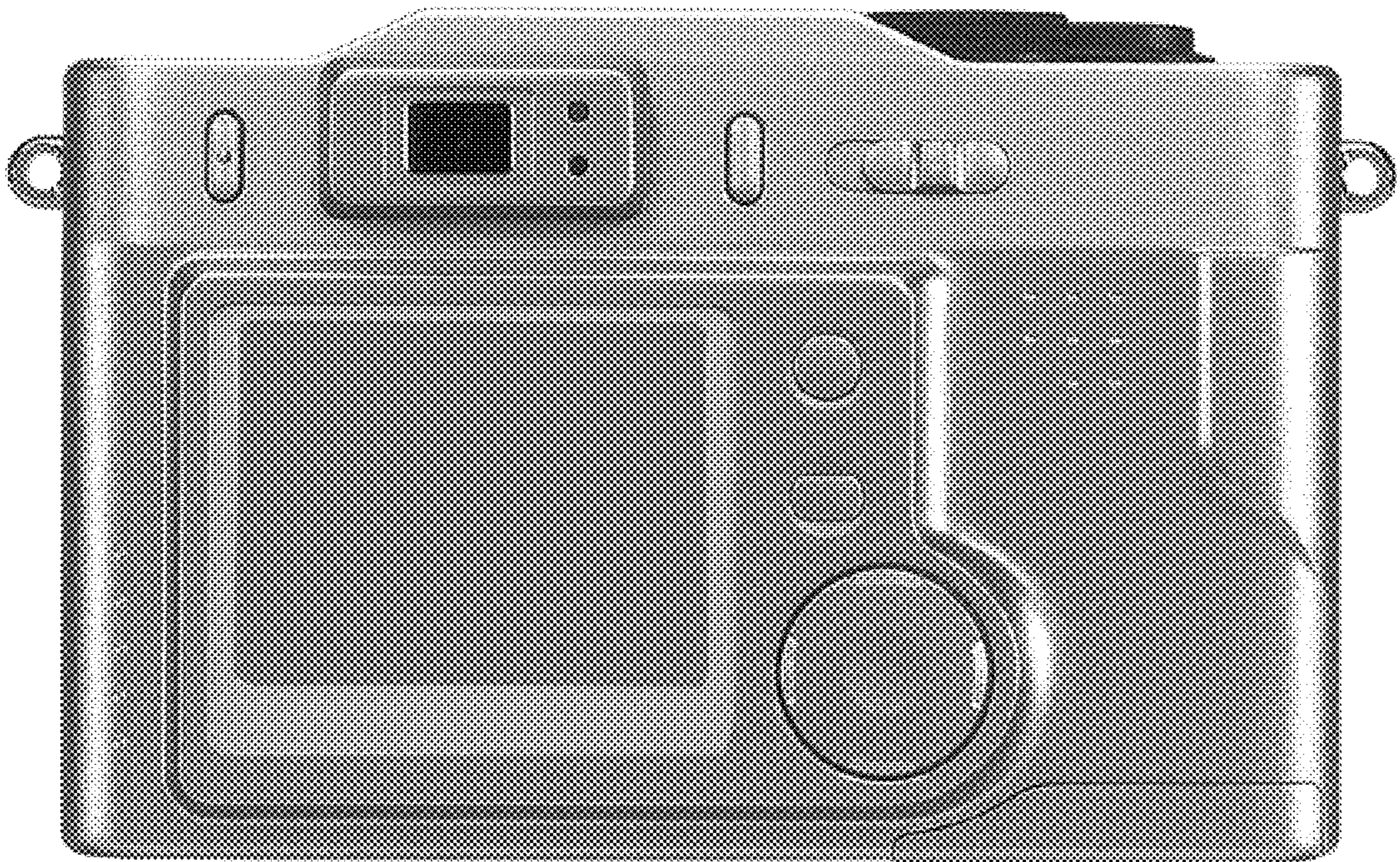


Fig. 3.

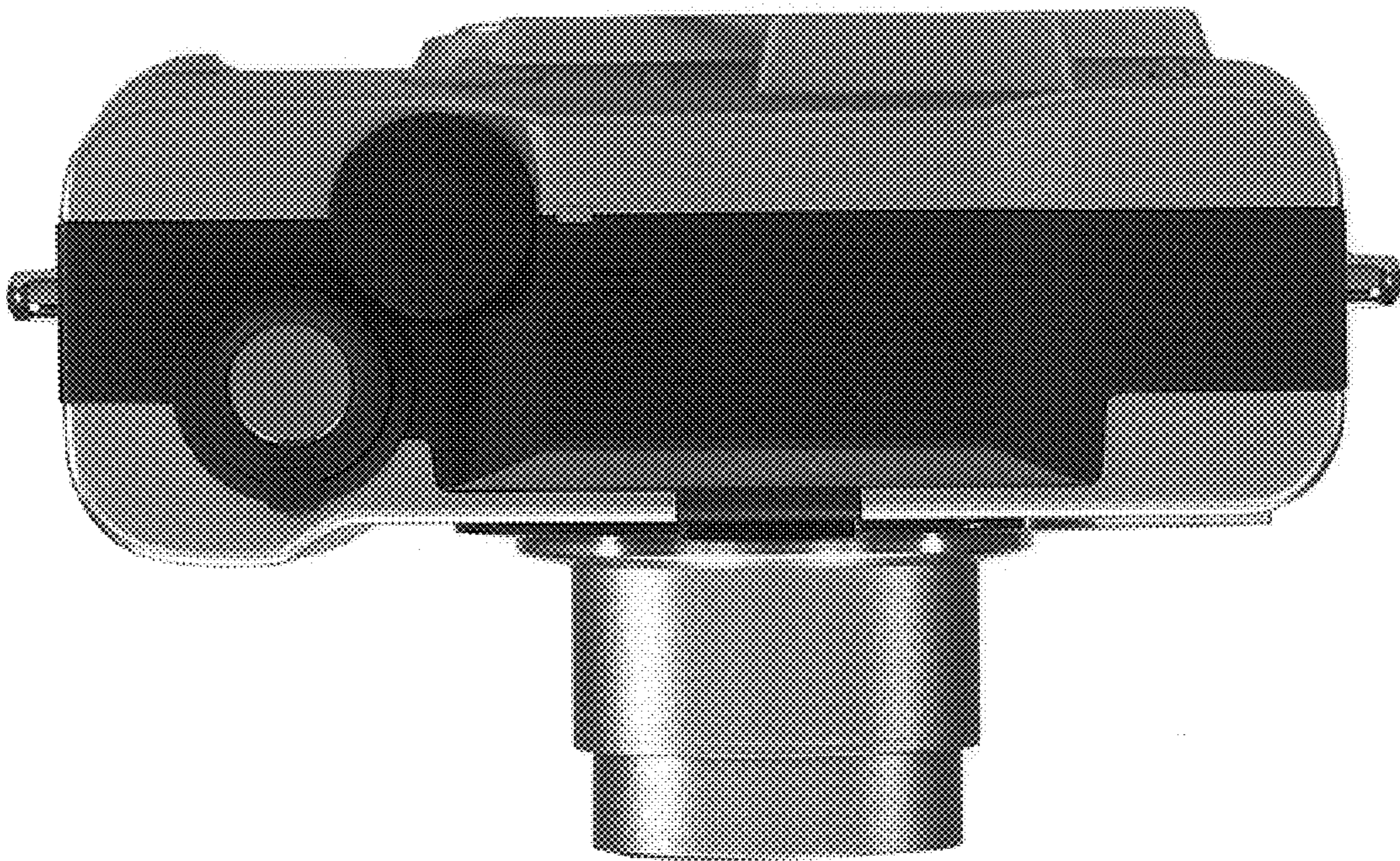


Fig. 4.

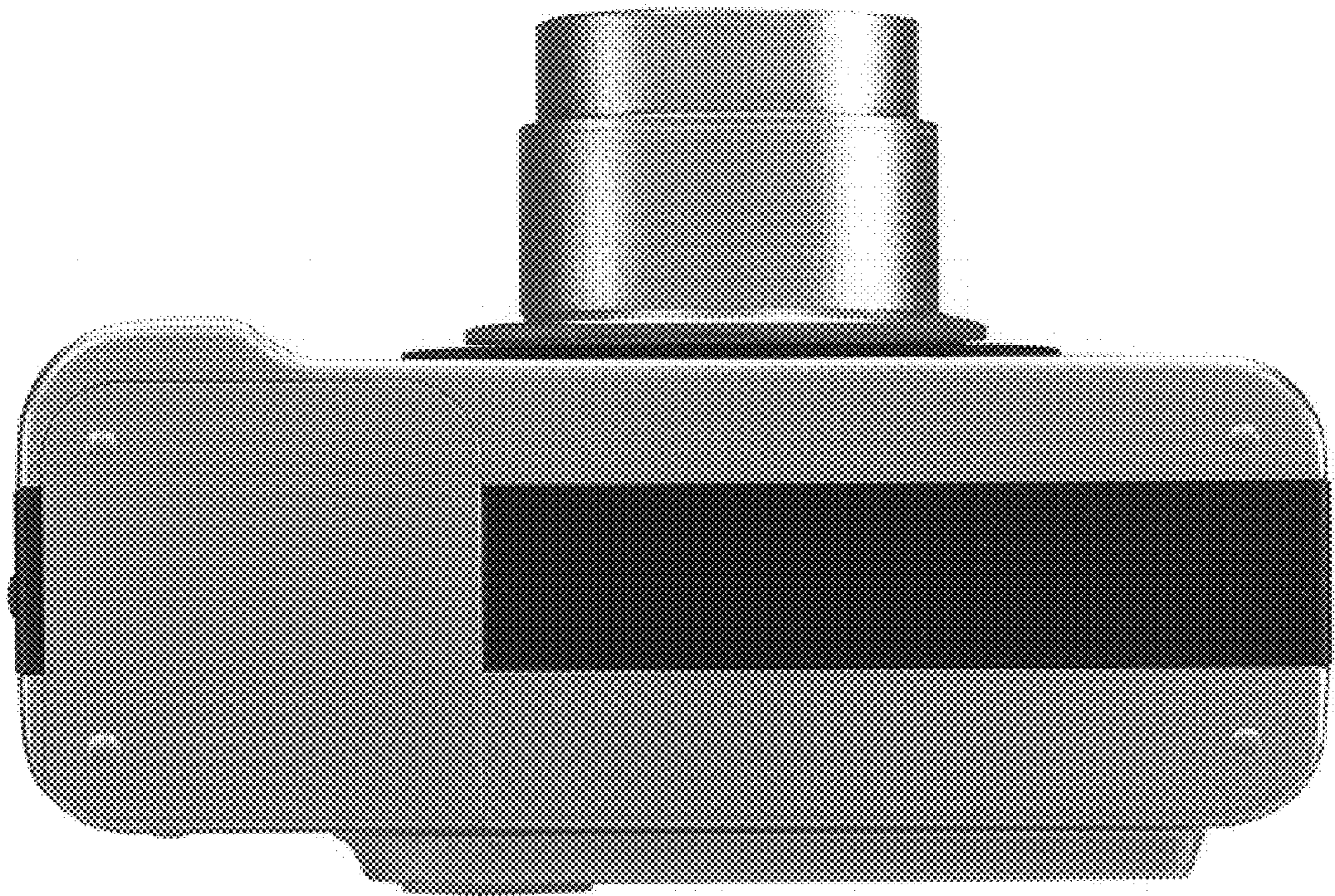


Fig. 5.

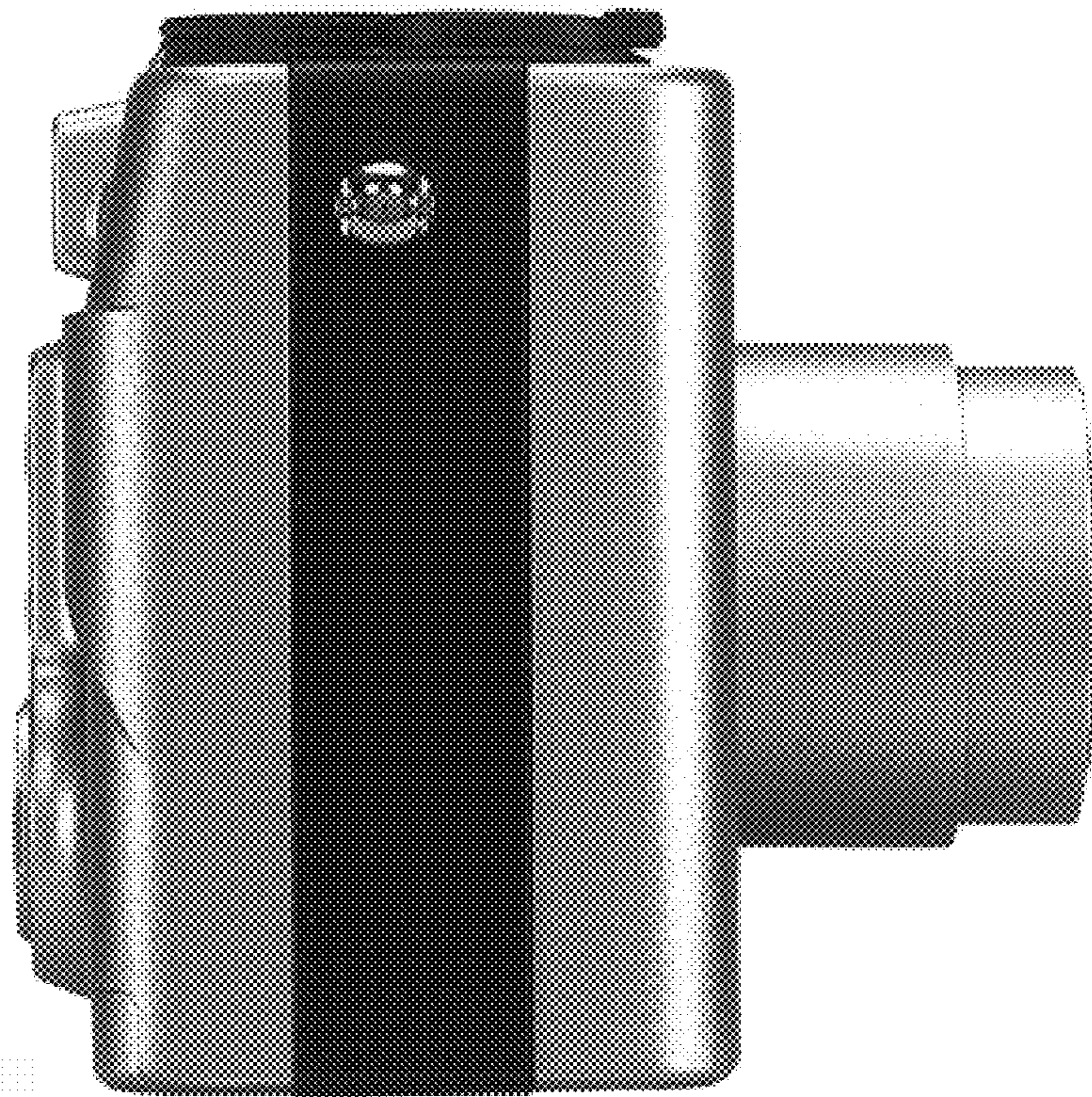


Fig. 6.



Fig. 7.



Fig. 8.