



US00D473576S

(12) **United States Design Patent**  
**Watanabe**

(10) **Patent No.:** **US D473,576 S**

(45) **Date of Patent:** **\*\* Apr. 22, 2003**

(54) **DIGITAL STILL CAMERA**

(75) Inventor: **Seiichi Watanabe**, Osaka (JP)

(73) Assignee: **Matsushita Electric Industrial Co., Ltd.**, Osaka (JP)

(\*\*) Term: **14 Years**

(21) Appl. No.: **29/161,441**

(22) Filed: **May 29, 2002**

(30) **Foreign Application Priority Data**

Nov. 30, 2001 (JP) ..... 2001-035265

(51) **LOC (7) Cl.** ..... **16-01**

(52) **U.S. Cl.** ..... **D16/202; D16/209**

(58) **Field of Search** ..... D16/200–206,  
D16/208, 209, 217, 218; 348/373–376;  
358/906, 909.1; 396/535–543

(56) **References Cited**

**U.S. PATENT DOCUMENTS**

D102,527 S	*	12/1936	Teague	.....	D16/218
D348,076 S	*	6/1994	Chan	.....	D16/218
5,765,068 A	*	6/1998	Kamoda	.....	396/543
D419,580 S	*	1/2000	Akabane et al.	.....	D16/209
D426,251 S	*	6/2000	Wood	.....	D16/218
D426,842 S	*	6/2000	Suzuki et al.	.....	D16/202

**OTHER PUBLICATIONS**

Cannon “Elph Sport” camera, The New York Times, May 7, 2000, p. 58.\*

\* cited by examiner

*Primary Examiner*—Adir Aronovich

(74) *Attorney, Agent, or Firm*—Christensen O’Connor Johnson Kindness PLLC

(57) **CLAIM**

The ornamental design for a digital still camera, as shown and described.

**DESCRIPTION**

FIG. 1 is a perspective view of the top, front and right side of a digital still camera showing my new design;

FIG. 2 is a front view thereof;

FIG. 3 is a rear view thereof;

FIG. 4 is a top plan view thereof;

FIG. 5 is a bottom view thereof;

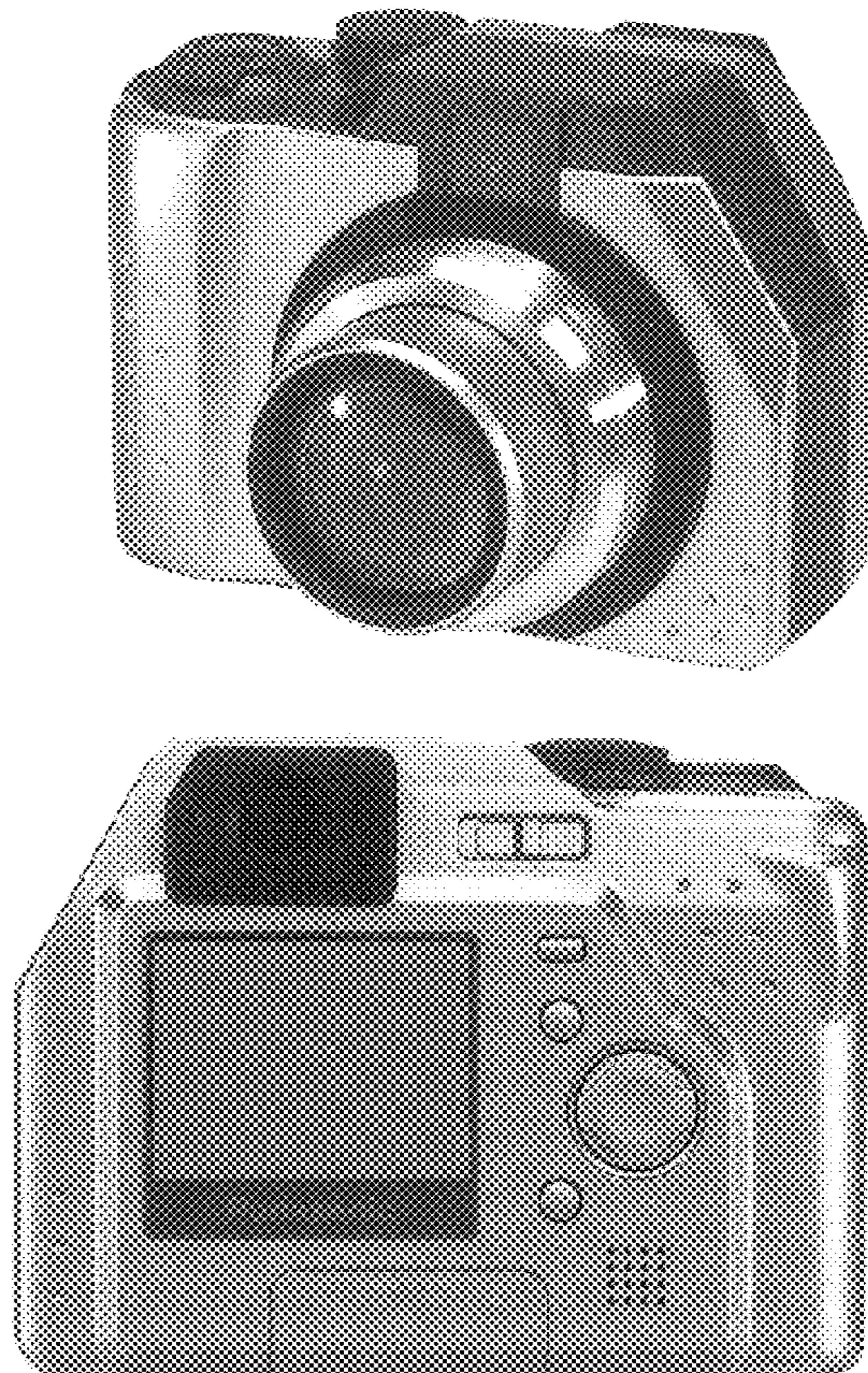
FIG. 6 is a left side view thereof;

FIG. 7 is a right side view thereof;

FIG. 8 is a perspective view thereof with the lens in contained condition; and,

FIG. 9 is a perspective view thereof in the condition of using flash.

**1 Claim, 9 Drawing Sheets**







*Fig. 1.*





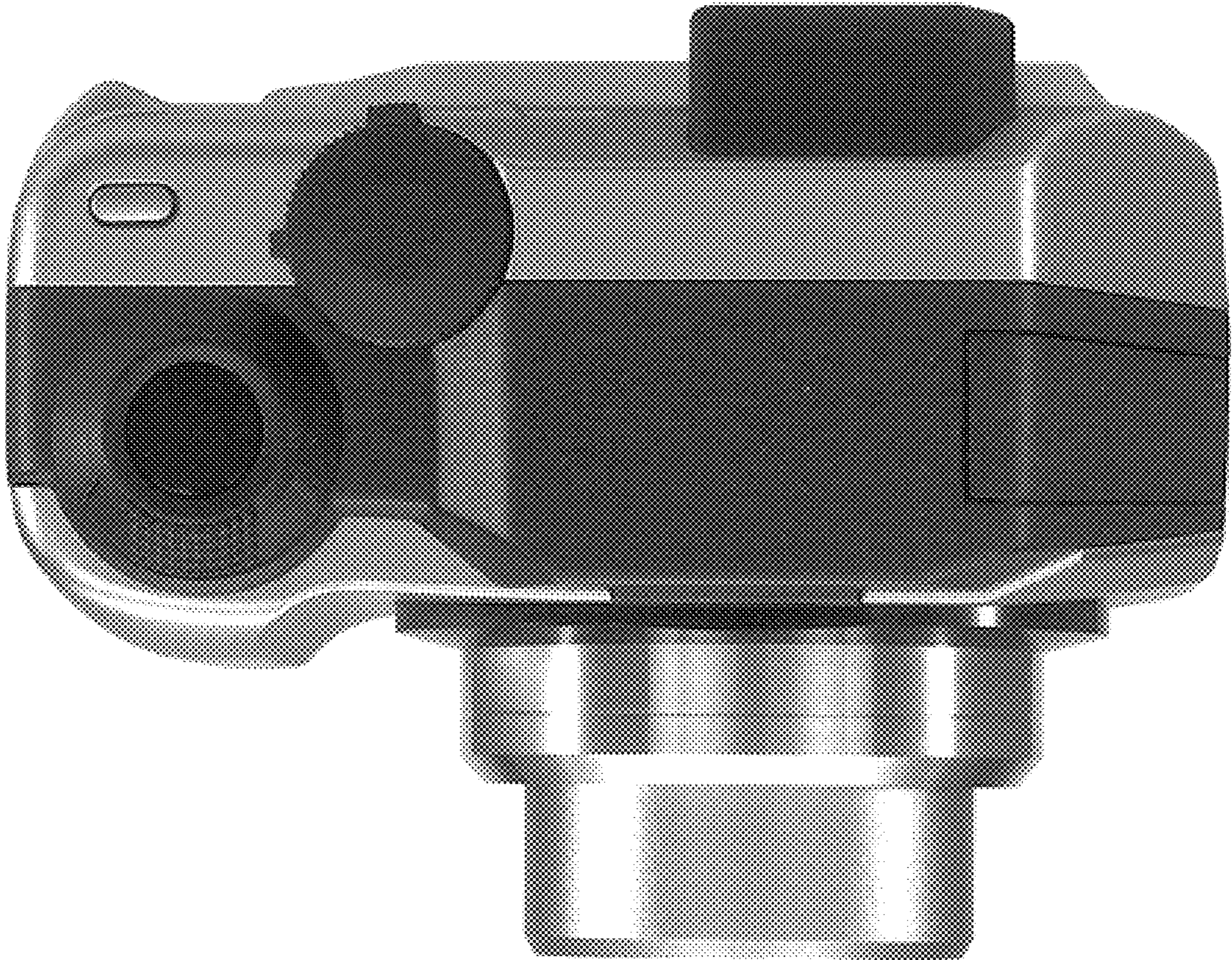
*Fig. 2.*





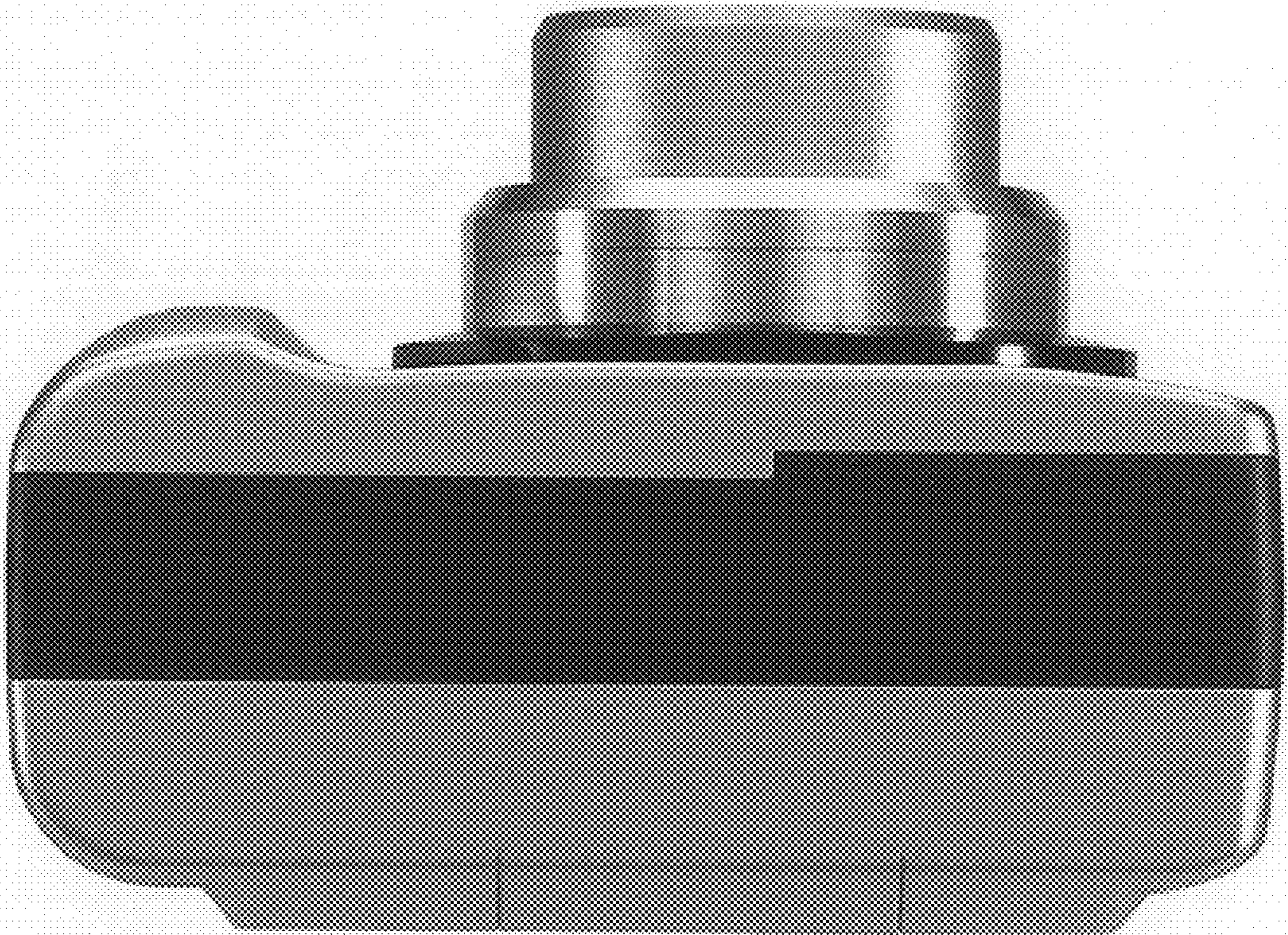
*Fig. 3.*





*Fig. 4.*





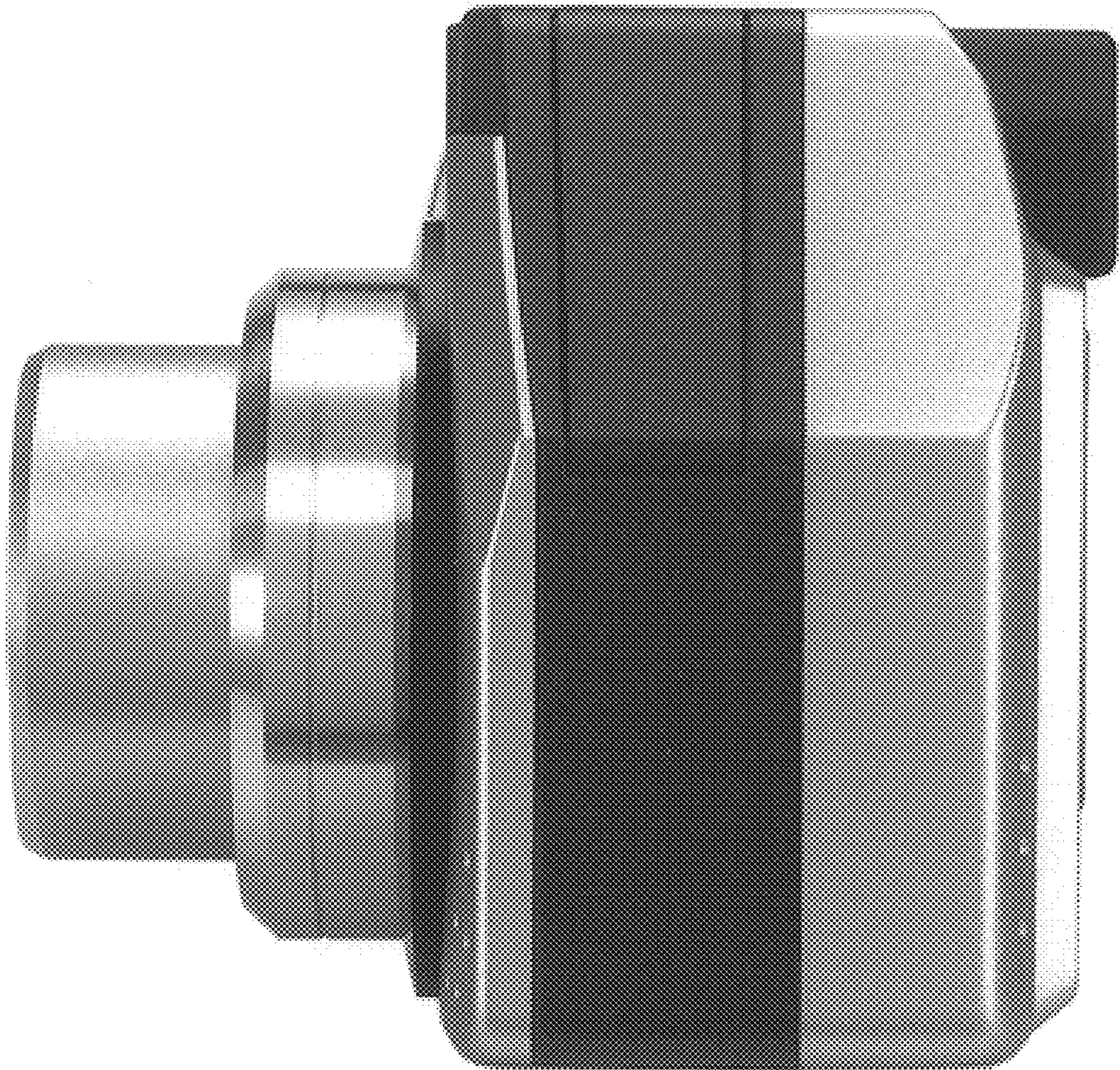
*Fig. 5.*





*Fig. 6.*





*Fig. 7.*





*Fig. 8.*





*Fig. 9.*



UNITED STATES PATENT AND TRADEMARK OFFICE  
**CERTIFICATE OF CORRECTION**

PATENT NO. : Des. 473,576 S  
DATED : April 22, 2003  
INVENTOR(S) : S. Watanabe

Page 1 of 1

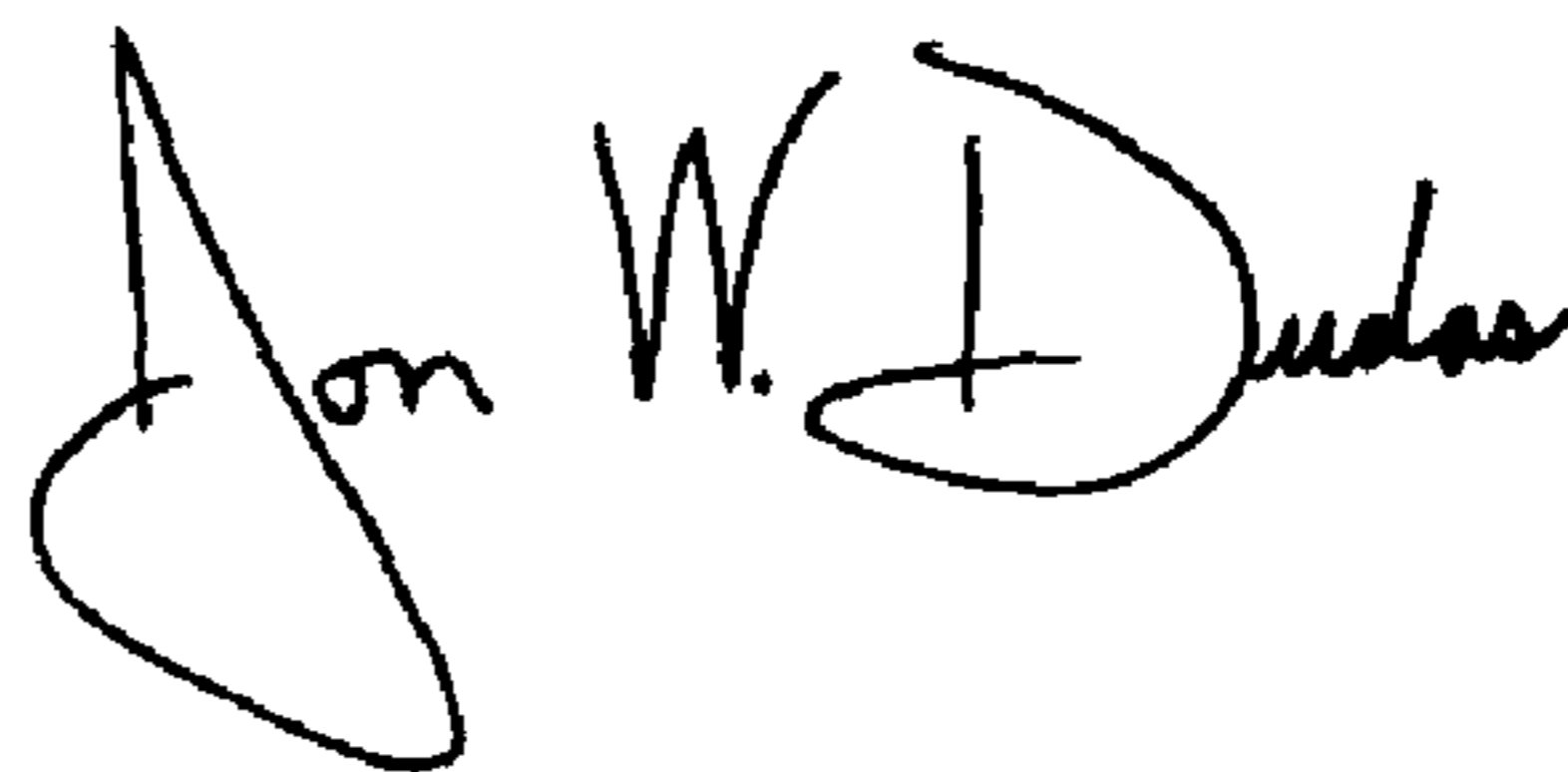
It is certified that error appears in the above-identified patent and that said Letters Patent is hereby corrected as shown below:

Title page.

Item [56], **References Cited**, OTHER PUBLICATIONS, insert in appropriate order  
-- CAMEDIA C-700 Ultra Zoom, *Olympus Catalog*, Sep. 2001.  
Power Shot A20 and Power Shot A10, *Canon Catalog*, May 1, 2001. --

Signed and Sealed this

Twenty-fifth Day of May, 2004



---

JON W. DUDAS  
*Acting Director of the United States Patent and Trademark Office*