



US00D473575S

(12) **United States Design Patent**  
**Iinuma et al.**

(10) **Patent No.:** **US D473,575 S**

(45) **Date of Patent:** **\*\* Apr. 22, 2003**

(54) **COMBINED MONITOR, VIDEO TAPE RECORDER AND VIDEO CAMERA**

(75) Inventors: **Masaki Iinuma**, Tochigi-ken (JP);  
**Makoto Shinba**, Tokyo-to (JP); **Seiji Kurokawa**, Tochigi-ken (JP)

(73) Assignee: **Sharp Kabushiki Kaisha**, Osaka (JP)

(\*\*) Term: **14 Years**

(21) Appl. No.: **29/149,008**

(22) Filed: **Oct. 2, 2001**

(30) **Foreign Application Priority Data**

Apr. 2, 2001 (JP) ..... 2001-009466

(51) **LOC (7) Cl.** ..... **16-01**

(52) **U.S. Cl.** ..... **D16/202**

(58) **Field of Search** ..... D16/200-206,  
D16/208, 218; 348/373-376; 352/242, 243;  
358/906

(56) **References Cited**

**U.S. PATENT DOCUMENTS**

|            |         |                  |
|------------|---------|------------------|
| D341,368 S | 11/1993 | Ooi et al.       |
| D341,369 S | 11/1993 | Sakata           |
| D347,235 S | 5/1994  | Ooi et al.       |
| D347,236 S | 5/1994  | Ooi et al.       |
| D351,157 S | 10/1994 | Usami et al.     |
| D352,728 S | 11/1994 | Kurokawa et al.  |
| D352,729 S | 11/1994 | Tsujimura et al. |
| D356,097 S | 3/1995  | Sakata et al.    |
| D365,116 S | 12/1995 | Ohi et al.       |
| D365,587 S | 12/1995 | Saeki et al.     |

|             |          |                           |
|-------------|----------|---------------------------|
| D366,269 S  | 1/1996   | Ohi et al.                |
| D366,492 S  | 1/1996   | Kume et al.               |
| D366,658 S  | 1/1996   | Fukutome                  |
| D380,226 S  | 6/1997   | Ohi et al.                |
| D386,507 S  | 11/1997  | Ohi et al.                |
| D392,298 S  | 3/1998   | Ohi et al.                |
| D394,867 S  | * 6/1998 | Lee ..... D16/202         |
| D408,832 S  | * 4/1999 | Kobayashi ..... D16/202   |
| 5,893,649 A | * 4/1999 | Shimada ..... 348/376     |
| D428,033 S  | * 7/2000 | Saeki et al. .... D16/202 |
| D428,034 S  | 7/2000   | Akiyama et al.            |
| D439,262 S  | 3/2001   | Yamamoto et al.           |
| D440,588 S  | 4/2001   | Ohi et al.                |
| D441,385 S  | * 5/2001 | Miyashita ..... D16/202   |

\* cited by examiner

*Primary Examiner*—Adir Aronovich  
(74) *Attorney, Agent, or Firm*—Nixon & Vanderhye

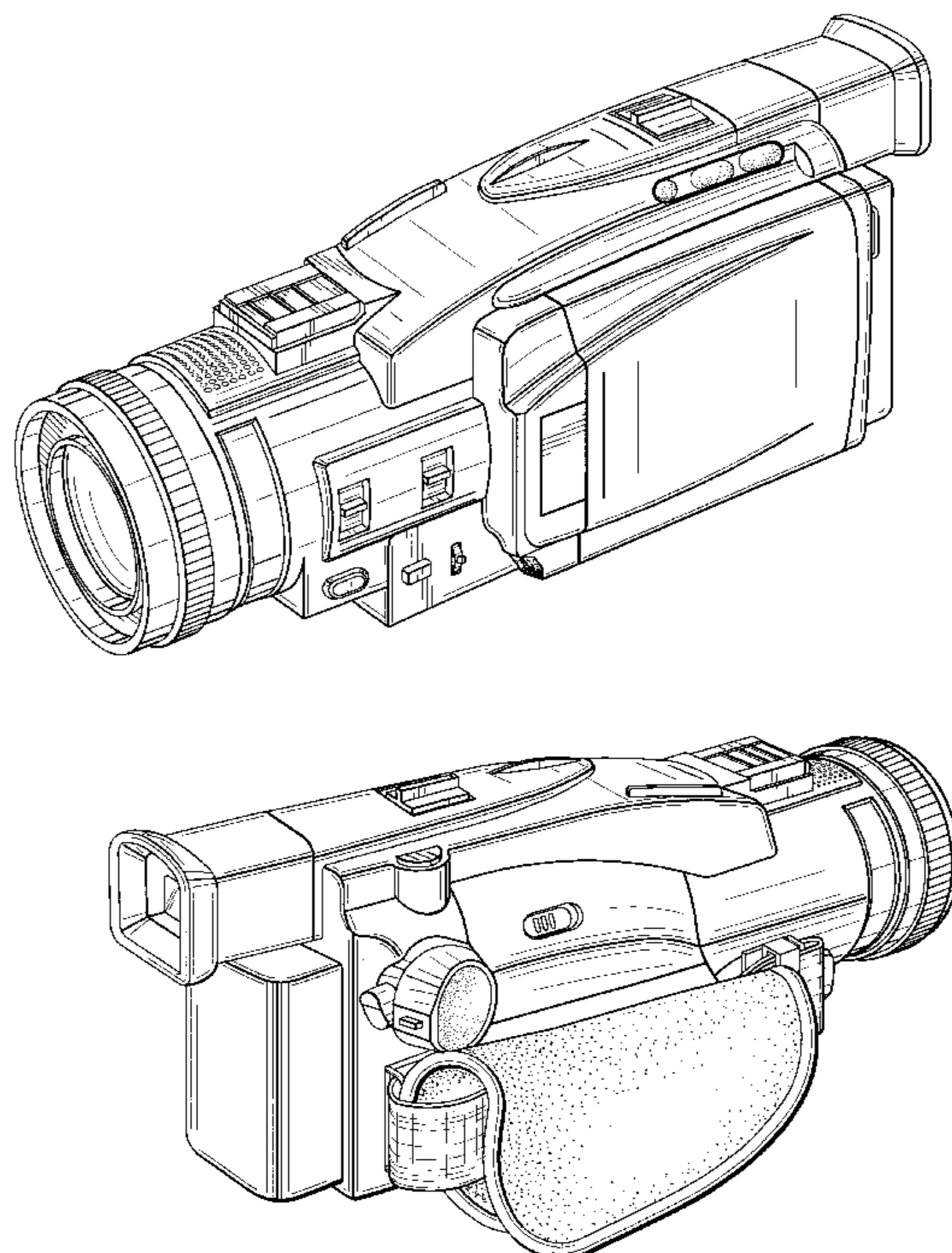
(57) **CLAIM**

The ornamental design for a combined monitor, video tape recorder and video camera, as shown and described.

**DESCRIPTION**

FIG. 1 is a top, front and right side perspective view of a combined monitor, video tape recorder and video camera according to our design;  
FIG. 2 is a top, rear and left side perspective view thereof;  
FIG. 3 is a front elevational view thereof;  
FIG. 4 is a rear elevational view thereof;  
FIG. 5 is a top plan view thereof;  
FIG. 6 is a bottom plan view thereof;  
FIG. 7 is a right side elevational view thereof; and,  
FIG. 8 is a left side elevational view thereof.

**1 Claim, 7 Drawing Sheets**



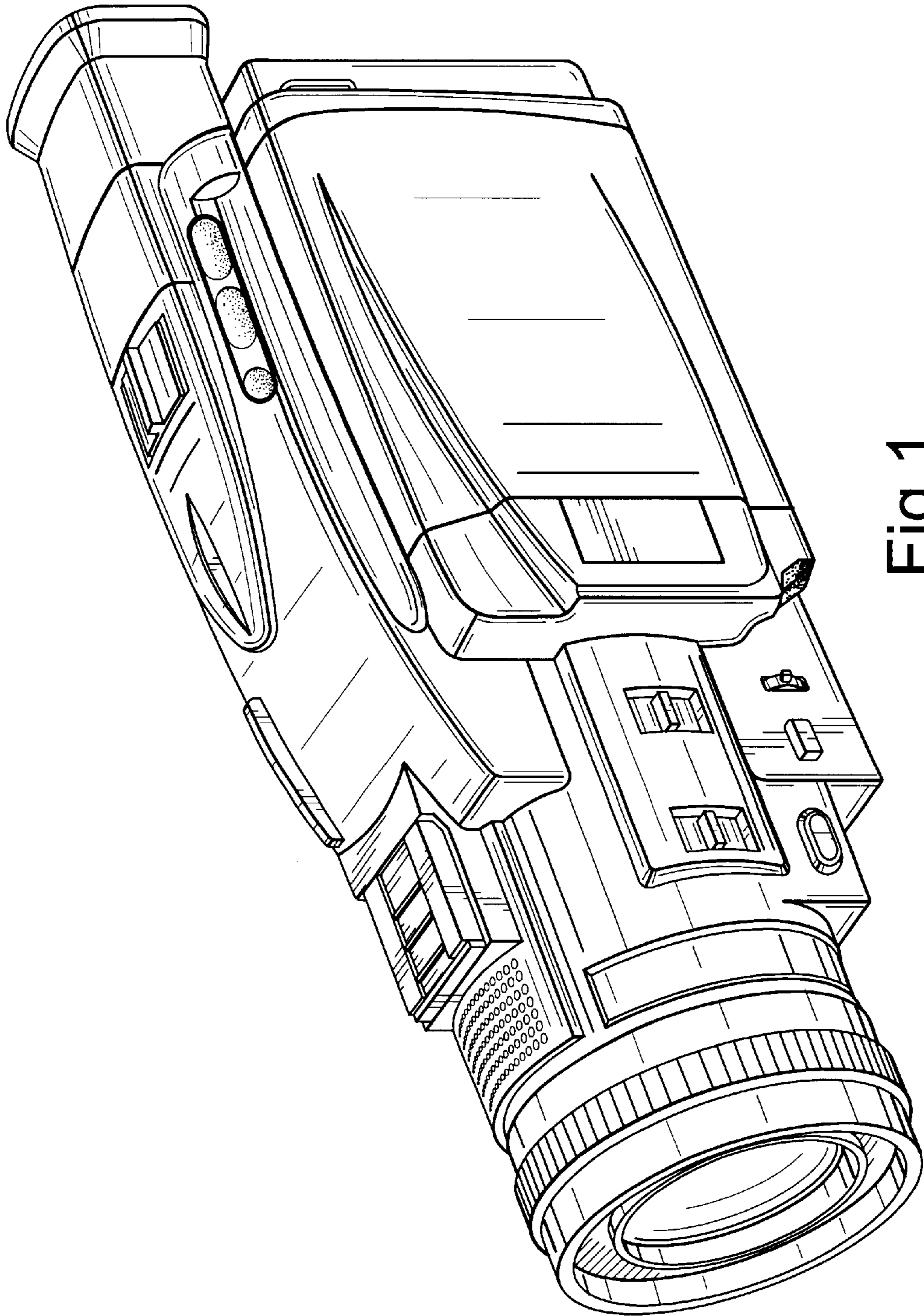


Fig.1

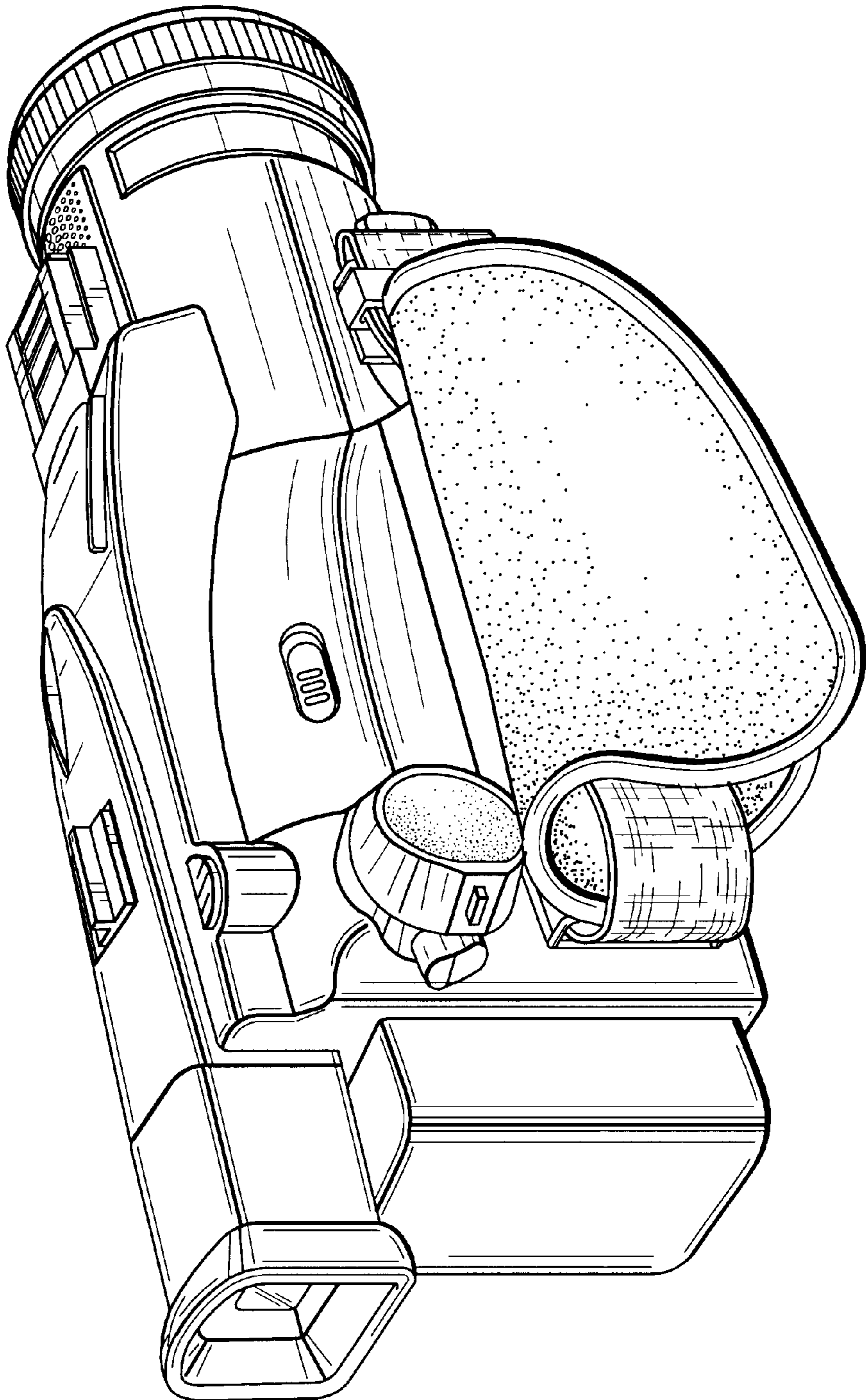


Fig. 2

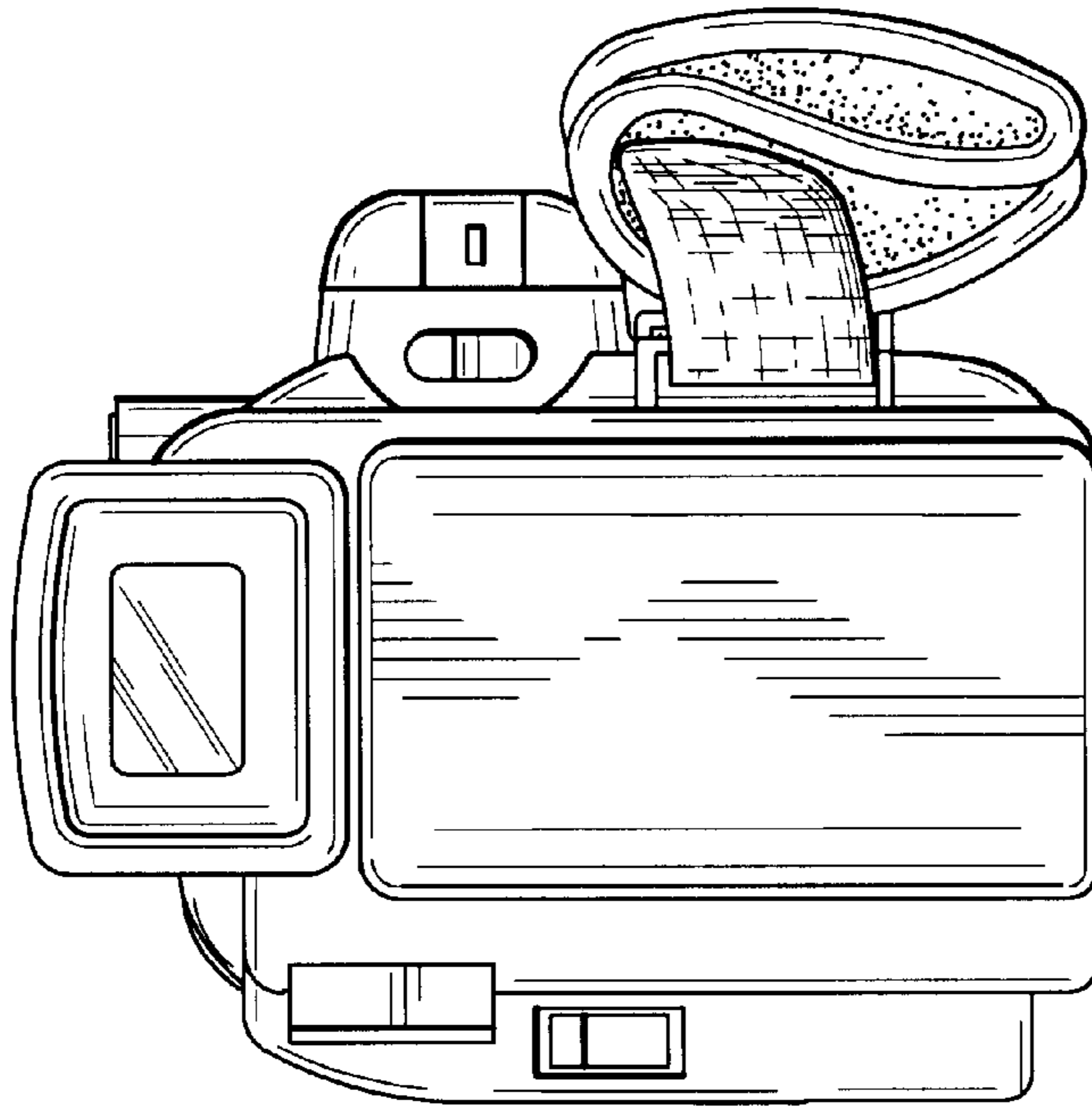


Fig.4

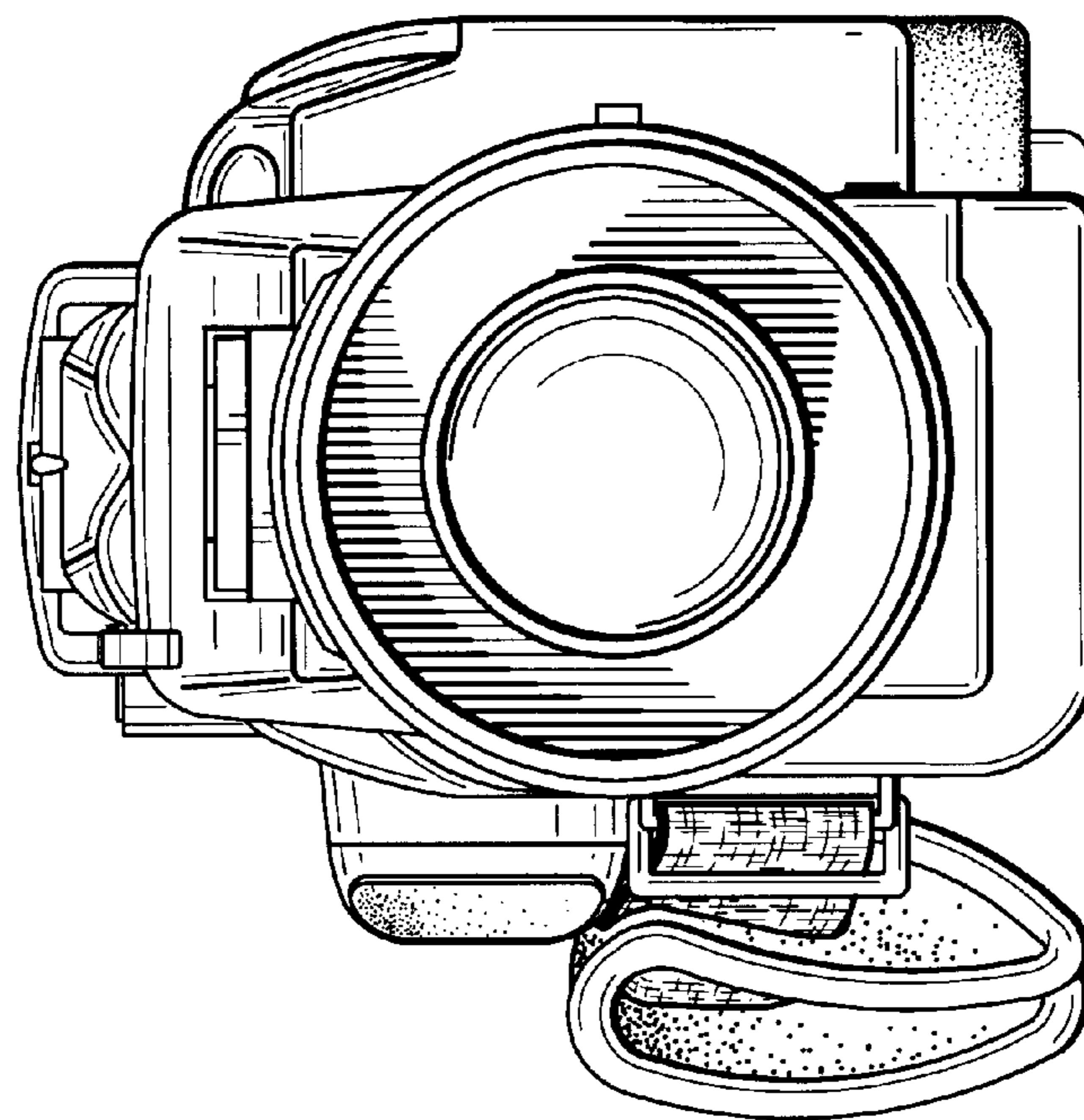


Fig.3

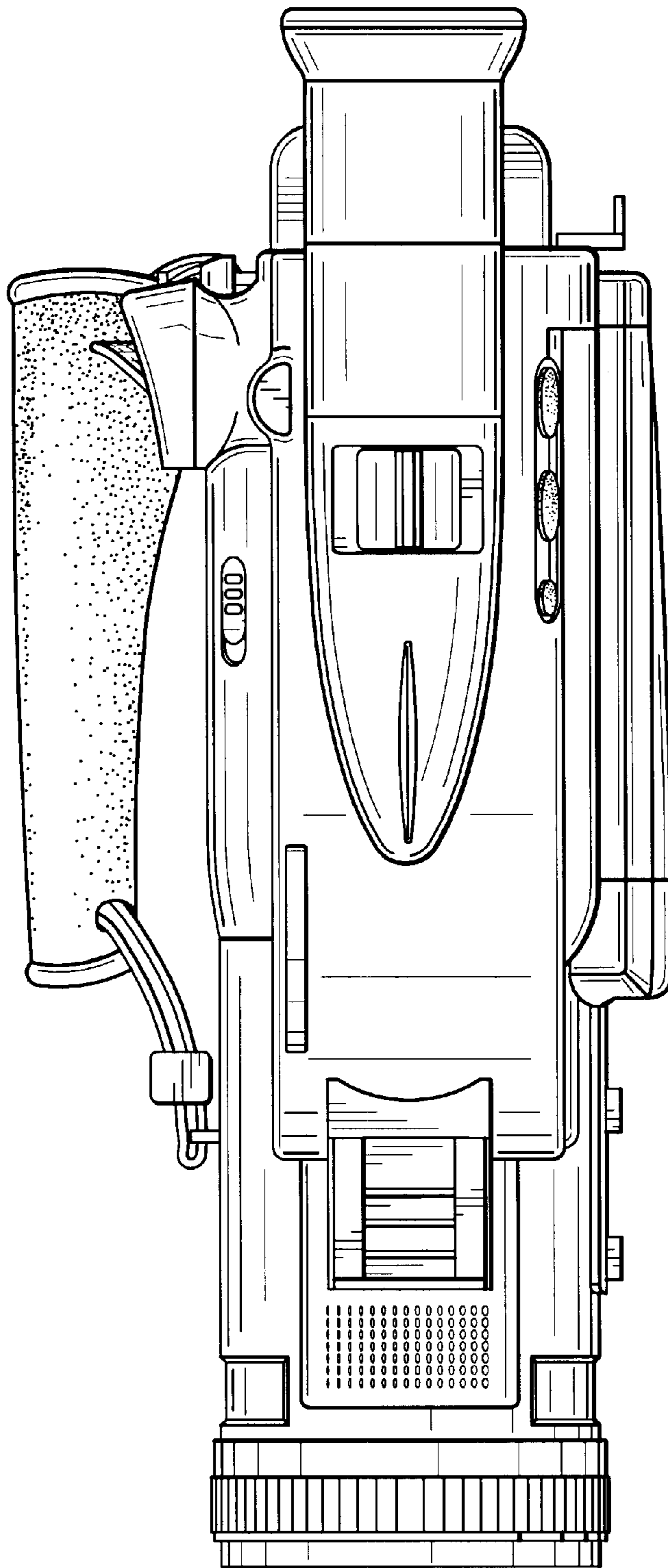


Fig.5

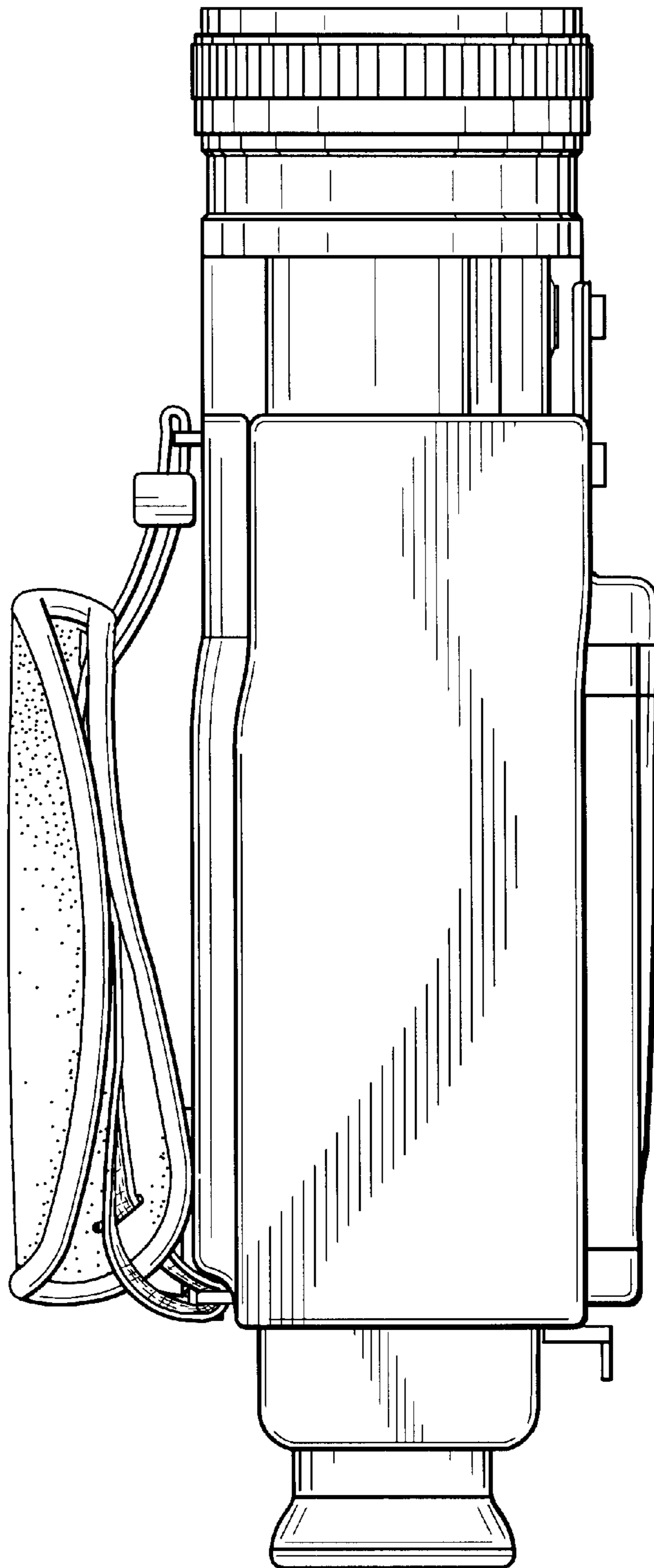


Fig.6

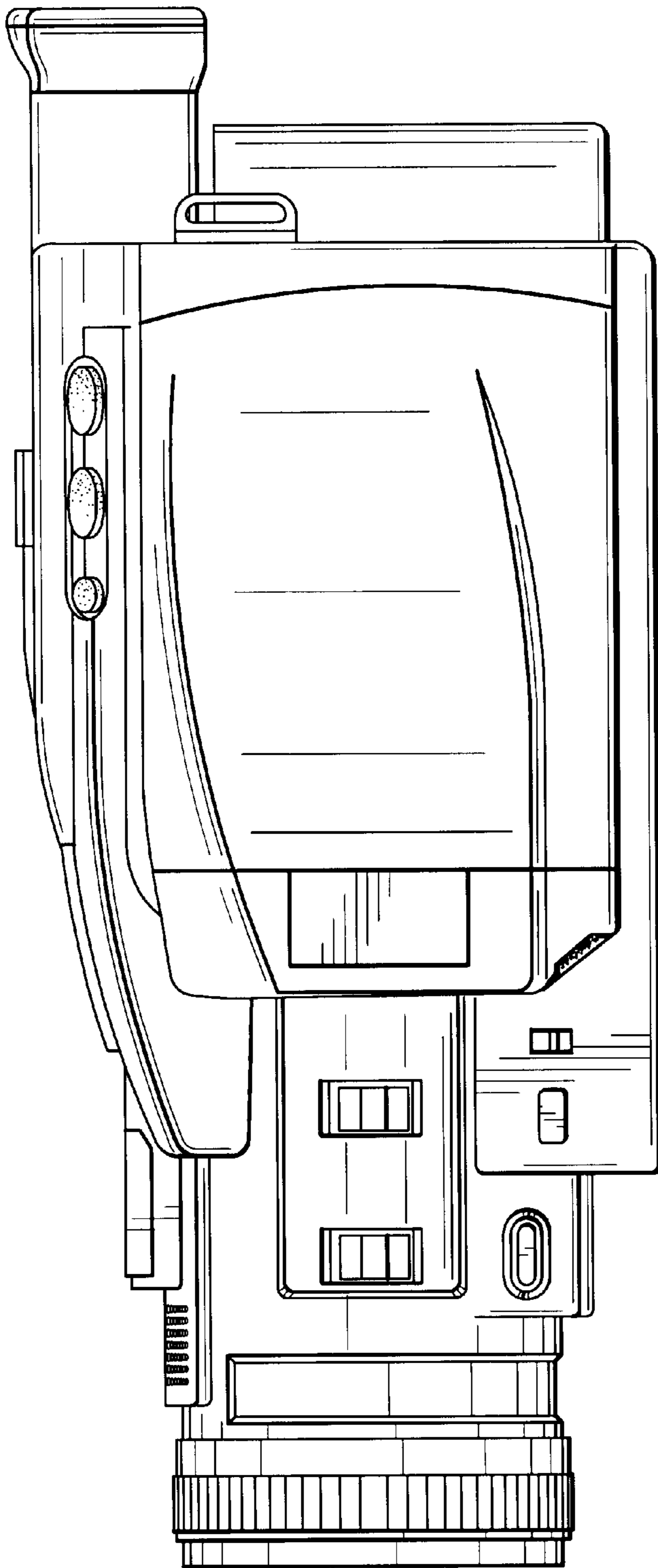


Fig. 7

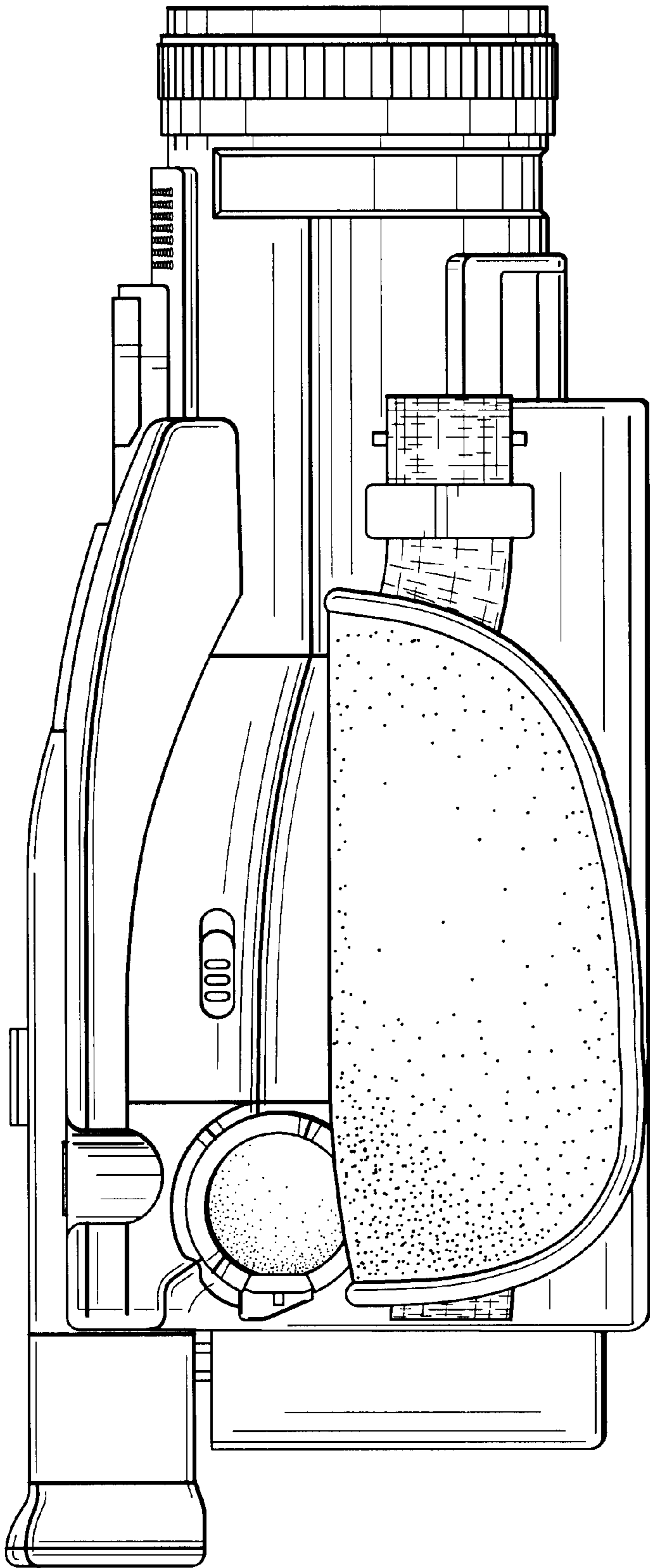


Fig.8