



US00D473572S

(12) **United States Design Patent**
Linberg et al.

(10) **Patent No.:** **US D473,572 S**

(45) **Date of Patent:** **** Apr. 22, 2003**

(54) **ICE PACK**

6,112,899 A 9/2000 Zeringue 206/541
D445,434 S * 7/2001 Doornhein D15/90

(76) Inventors: **Sjur H. Linberg**, Gaytor, 6 Brimstone Hill, Devonshire DV07 (BM); **Joanne E. Linberg**, Gaytor, 6 Brimstone Hill, Devonshire DV07 (BM)

FOREIGN PATENT DOCUMENTS

GB WO 93/24797 8/1992 F25D/3/08

(**) **Term:** **14 Years**

* cited by examiner

(21) **Appl. No.:** **29/167,474**

Primary Examiner—Mitchell Siegel

(22) **Filed:** **Sep. 13, 2002**

(74) *Attorney, Agent, or Firm*—Stephen M. Nipper; Frank J. Dykas; Robert L. Shaver

(51) **LOC (7) Cl.** **15-07**

(52) **U.S. Cl.** **D15/90**

(58) **Field of Search** D15/89, 90; D7/605–608; 62/457.1–457.9; 249/605–608; D9/516, 542

(57) **CLAIM**

The ornamental design for an ice pack, as shown and described in the drawings submitted herewith.

(56) **References Cited**

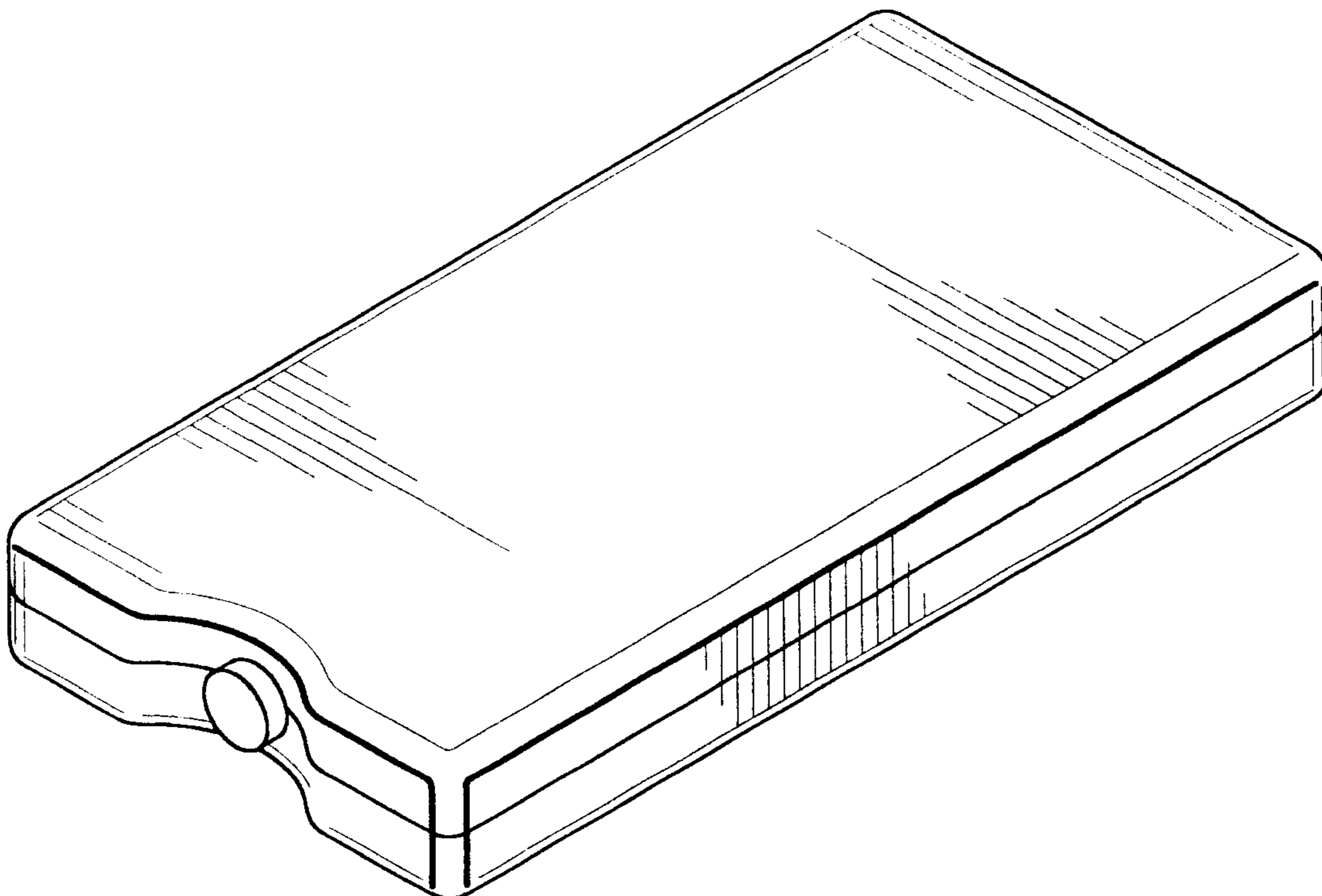
DESCRIPTION

U.S. PATENT DOCUMENTS

4,024,731 A 5/1977 Branscum 62/457
D322,383 S * 12/1991 Jones D7/605
D336,595 S * 6/1993 Jones D7/605
D367,068 S * 2/1996 Green D15/90
D428,898 S * 8/2000 Hixson 15/90

FIG. 1 is a top, perspective view of the ice pack.
FIG. 2 is a top view of the ice pack.
FIG. 3 is a bottom view of the ice pack.
FIG. 4 is a first side view of the ice pack
FIG. 5 is a second side view of the ice pack
FIG. 6 is a first end view of the ice pack; and,
FIG. 7 is a second end view of the ice pack.

1 Claim, 2 Drawing Sheets



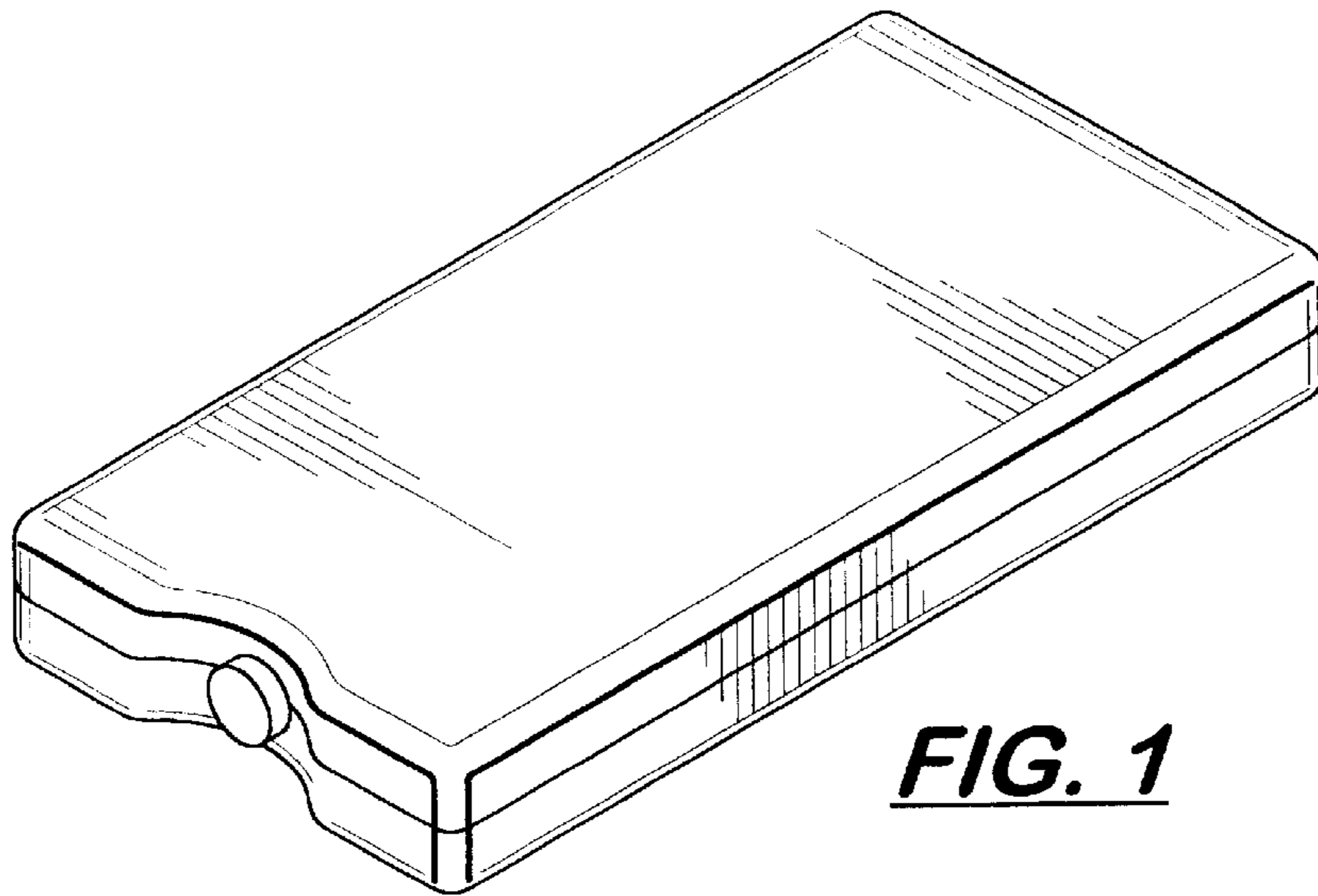


FIG. 1

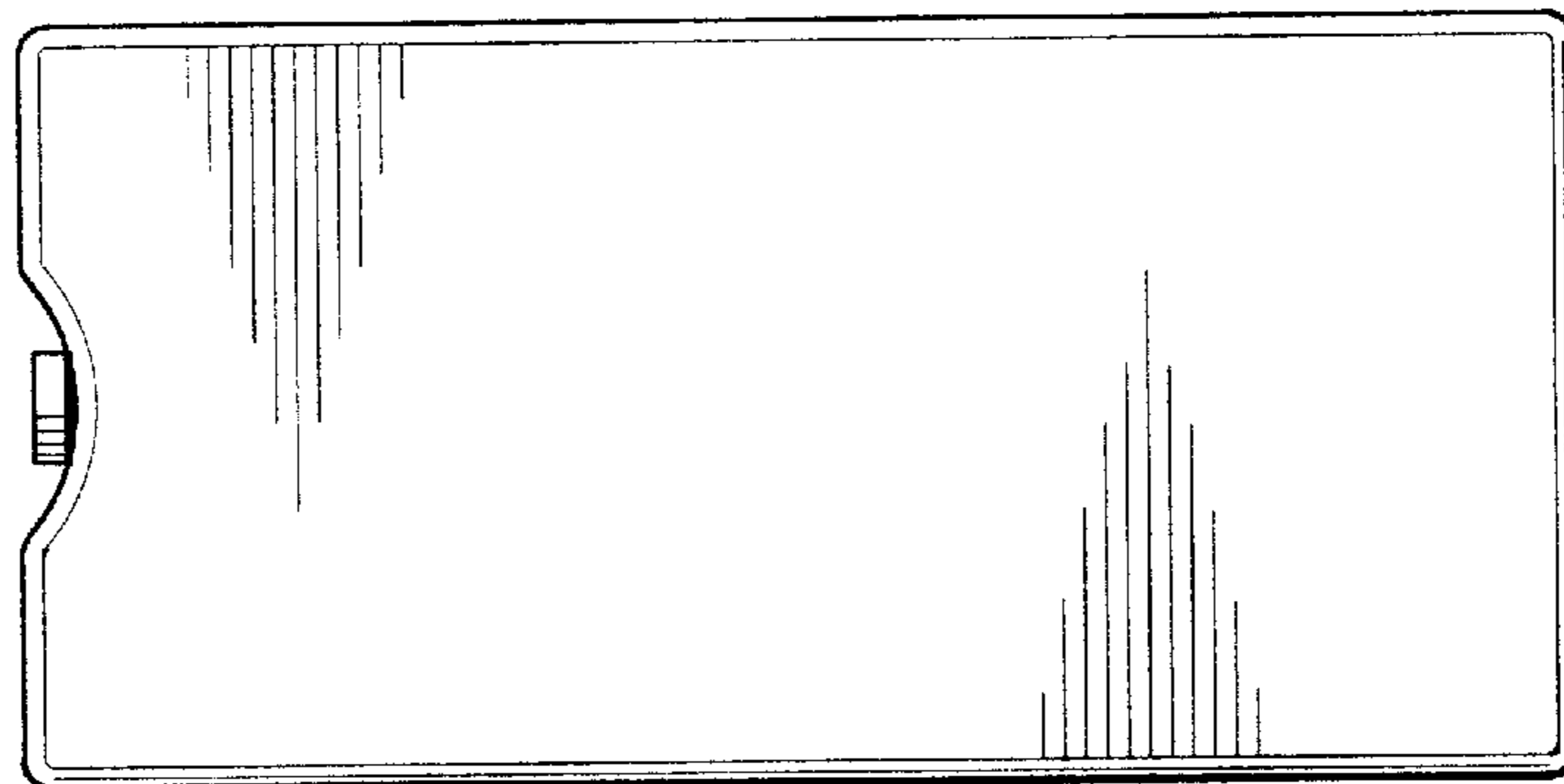


FIG. 2

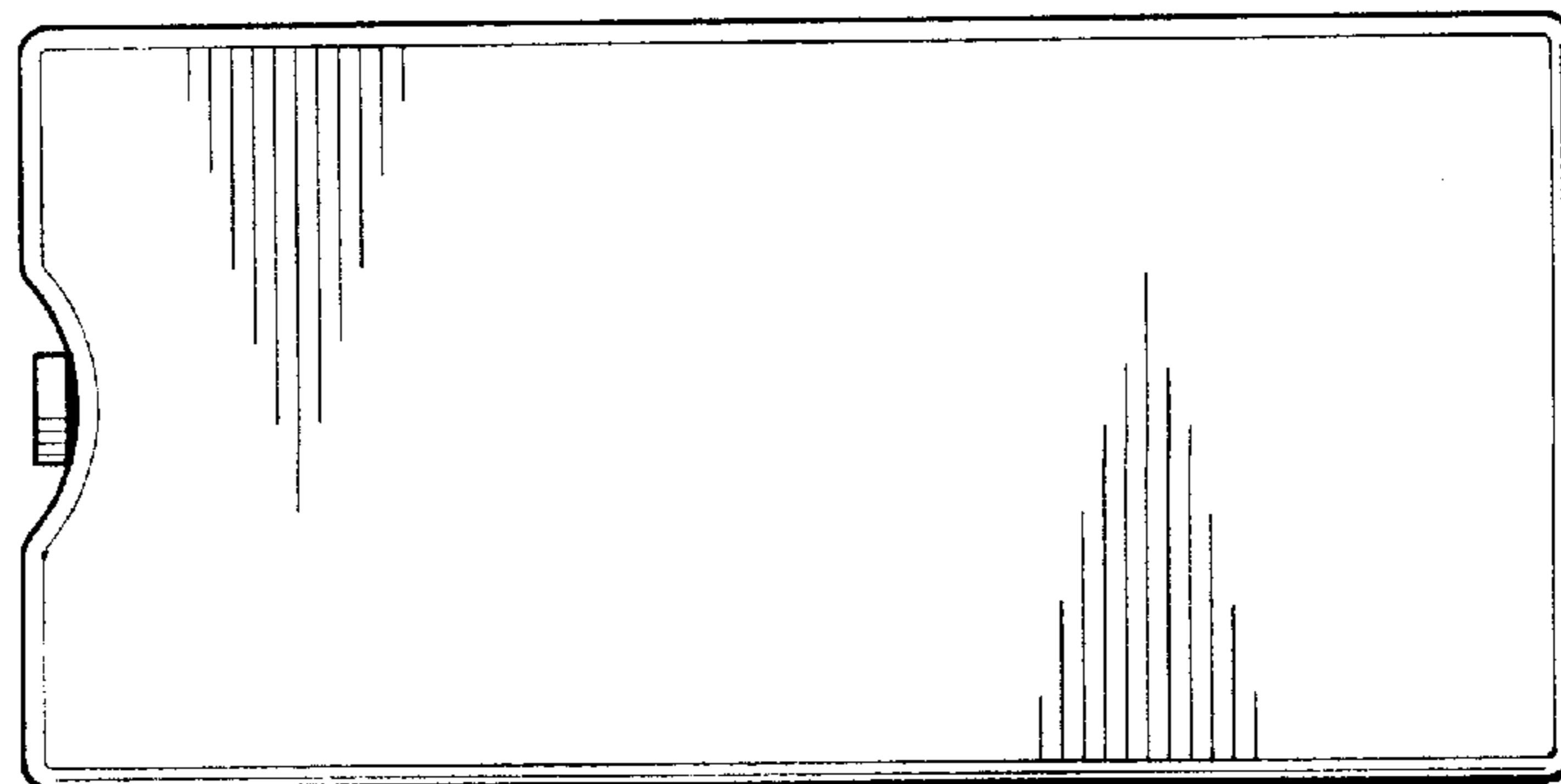


FIG. 3

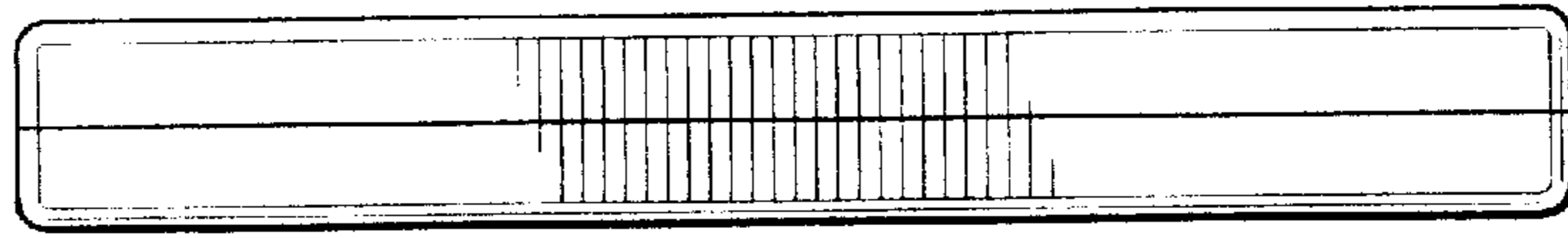


FIG. 4

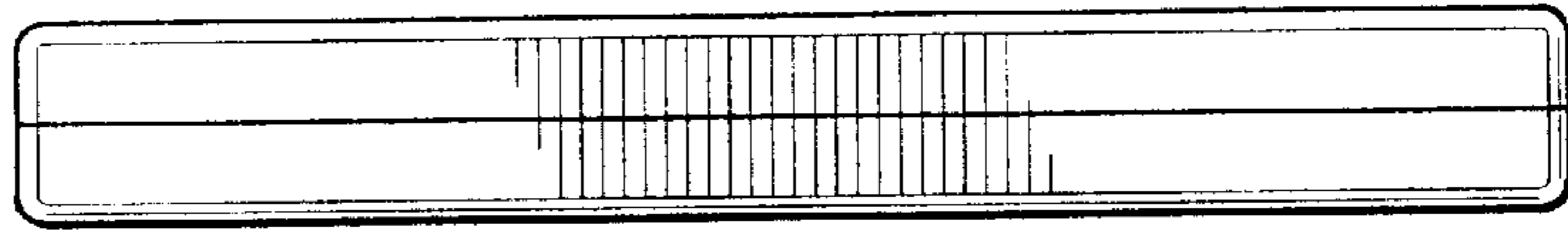


FIG. 5

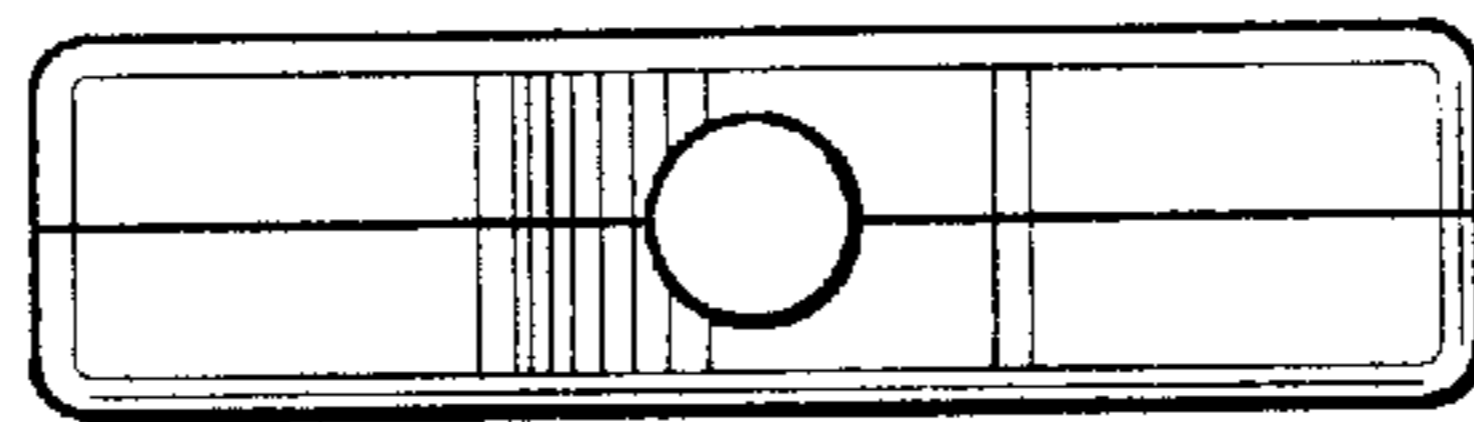


FIG. 6

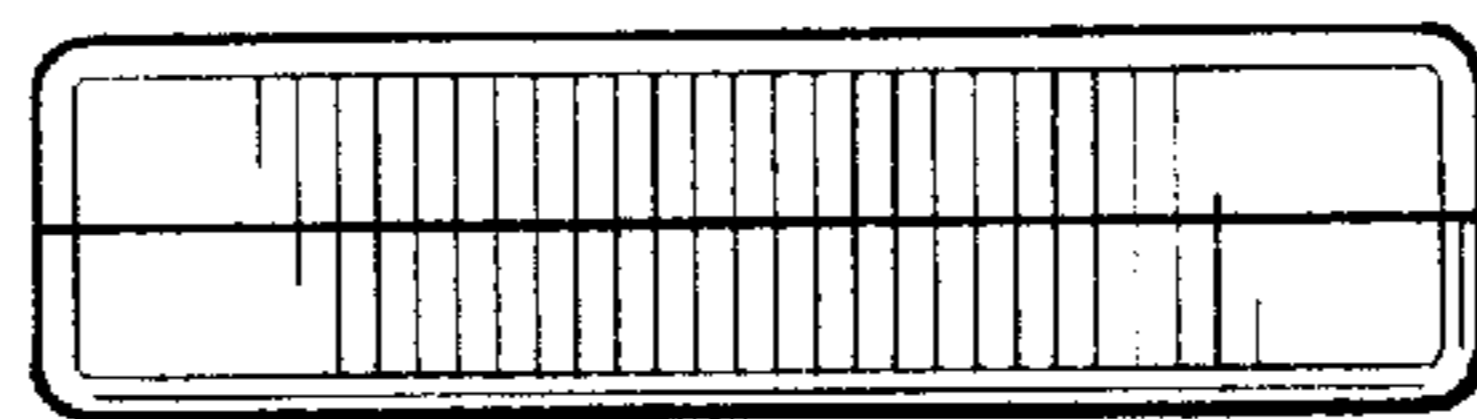


FIG. 7