



US00D473571S

(12) **United States Design Patent**
Kuwae et al.

(10) **Patent No.:** **US D473,571 S**

(45) **Date of Patent:** **** Apr. 22, 2003**

(54) **BACKHOE**

(75) Inventors: **Junta Kuwae, Osaka (JP); Yasuo Nakata, Osaka (JP)**

(73) Assignee: **Kubota Corporation (JP)**

(**) Term: **14 Years**

(21) Appl. No.: **29/156,016**

(22) Filed: **Feb. 22, 2002**

(30) **Foreign Application Priority Data**

Dec. 12, 2001 (JP) 2001-036541

(51) **LOC (7) Cl.** **15-03**

(52) **U.S. Cl.** **D15/25**

(58) **Field of Search** D15/22-26; 180/89.1,
180/89.12, 900; 414/660, 685, 694, 698,
719, 743

(56) **References Cited**

U.S. PATENT DOCUMENTS

- D309,313 S * 7/1990 Takashima et al. D15/25
- D312,468 S * 11/1990 Masumoto et al. D15/25
- D354,497 S * 1/1995 Kusunoki D15/25
- D387,360 S * 12/1997 Ishizaki D15/25

- D393,268 S * 4/1998 Tachinou et al. D15/25
- D424,581 S * 5/2000 Morita et al. D15/24
- D440,235 S * 4/2001 Kuwae et al. D15/25

FOREIGN PATENT DOCUMENTS

JP 1089191 10/2000

* cited by examiner

Primary Examiner—Mitchell Siegel

(74) *Attorney, Agent, or Firm*—Webb Ziesenheim Logsdon Orkin & Hanson, P.C.

(57) **CLAIM**

The ornamental design for a backhoe, as shown and described.

DESCRIPTION

FIG. 1 is a left side view of a backhoe;
 FIG. 2 is a right side view thereof;
 FIG. 3 is a rear side view thereof;
 FIG. 4 is a front side view thereof;
 FIG. 5 is a top plan view thereof;
 FIG. 6 is a front side-left side perspective view thereof;
 FIG. 7 is a left side-rear side perspective view thereof;
 FIG. 8 is a rear side-right side perspective view thereof; and,
 FIG. 9 is a front side-right side perspective view thereof.

1 Claim, 5 Drawing Sheets



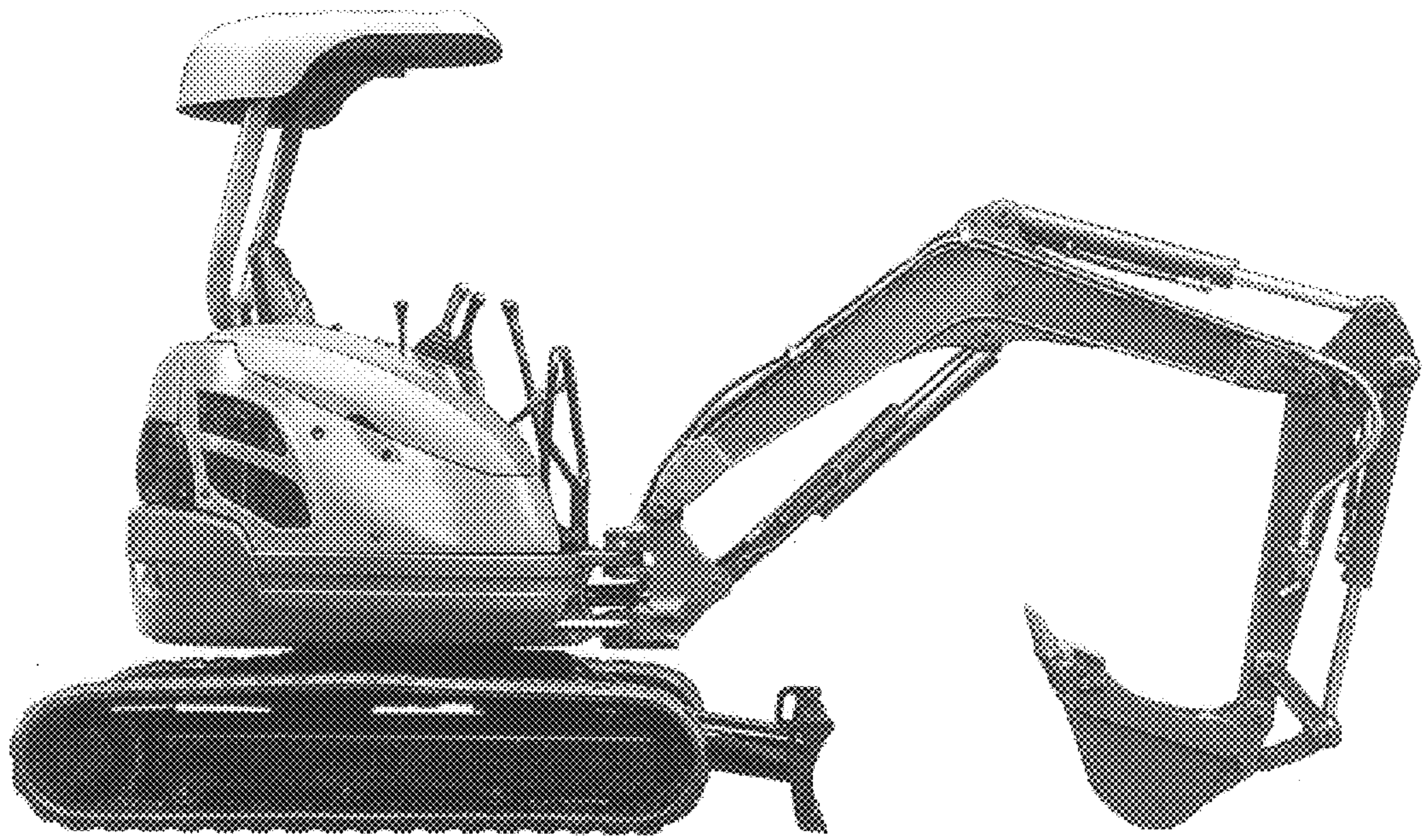


Fig. 1

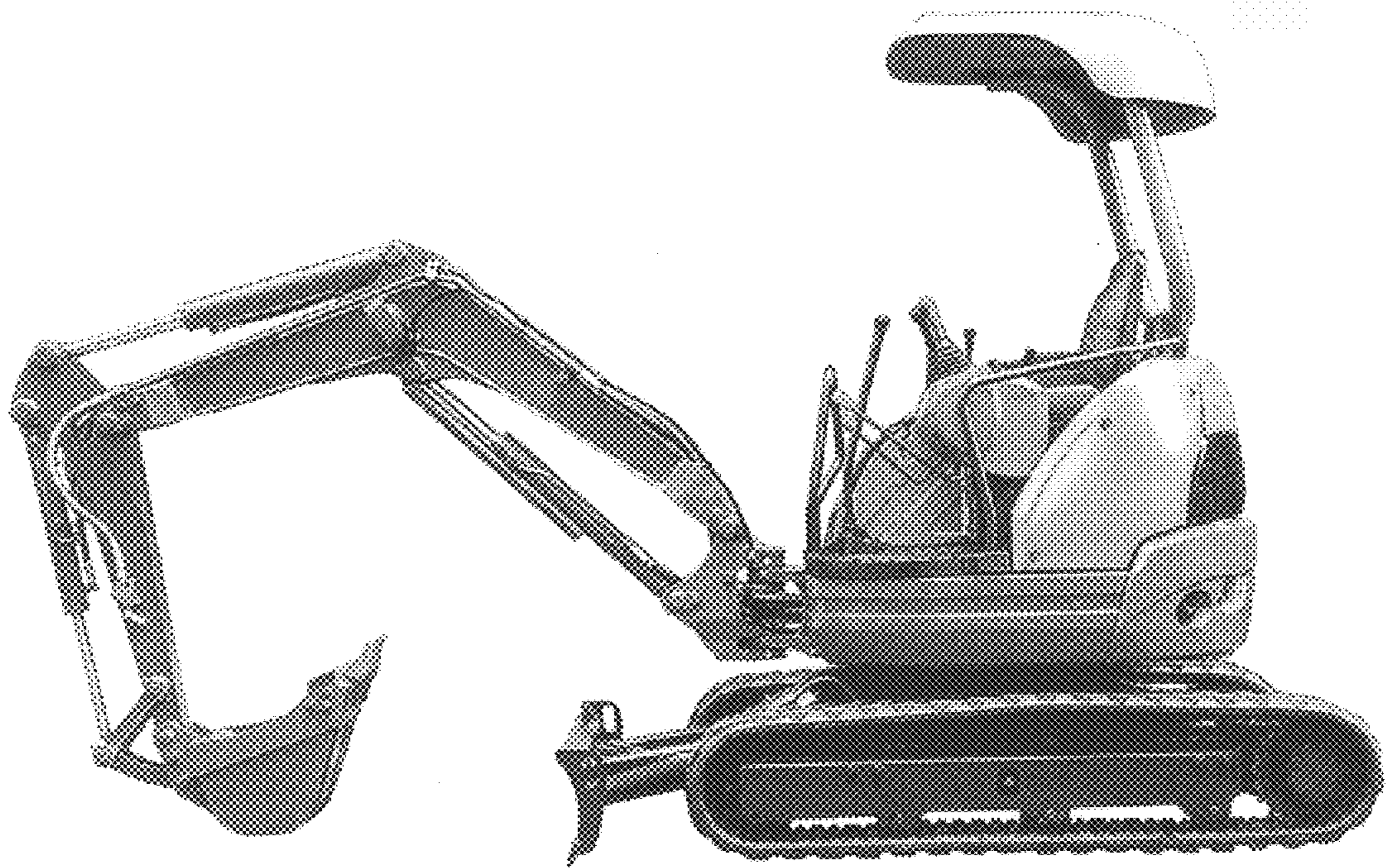


Fig. 2

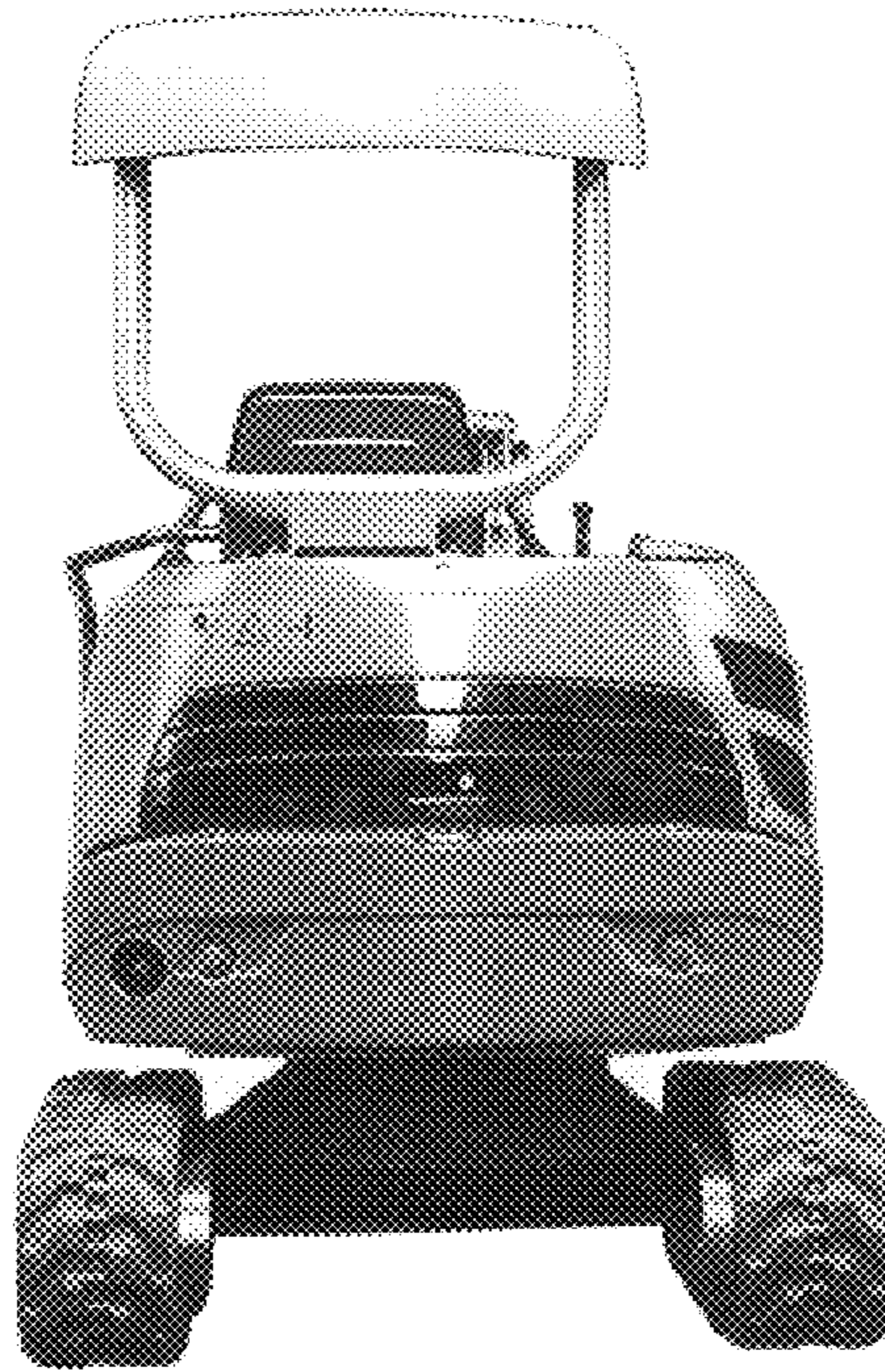


Fig. 3

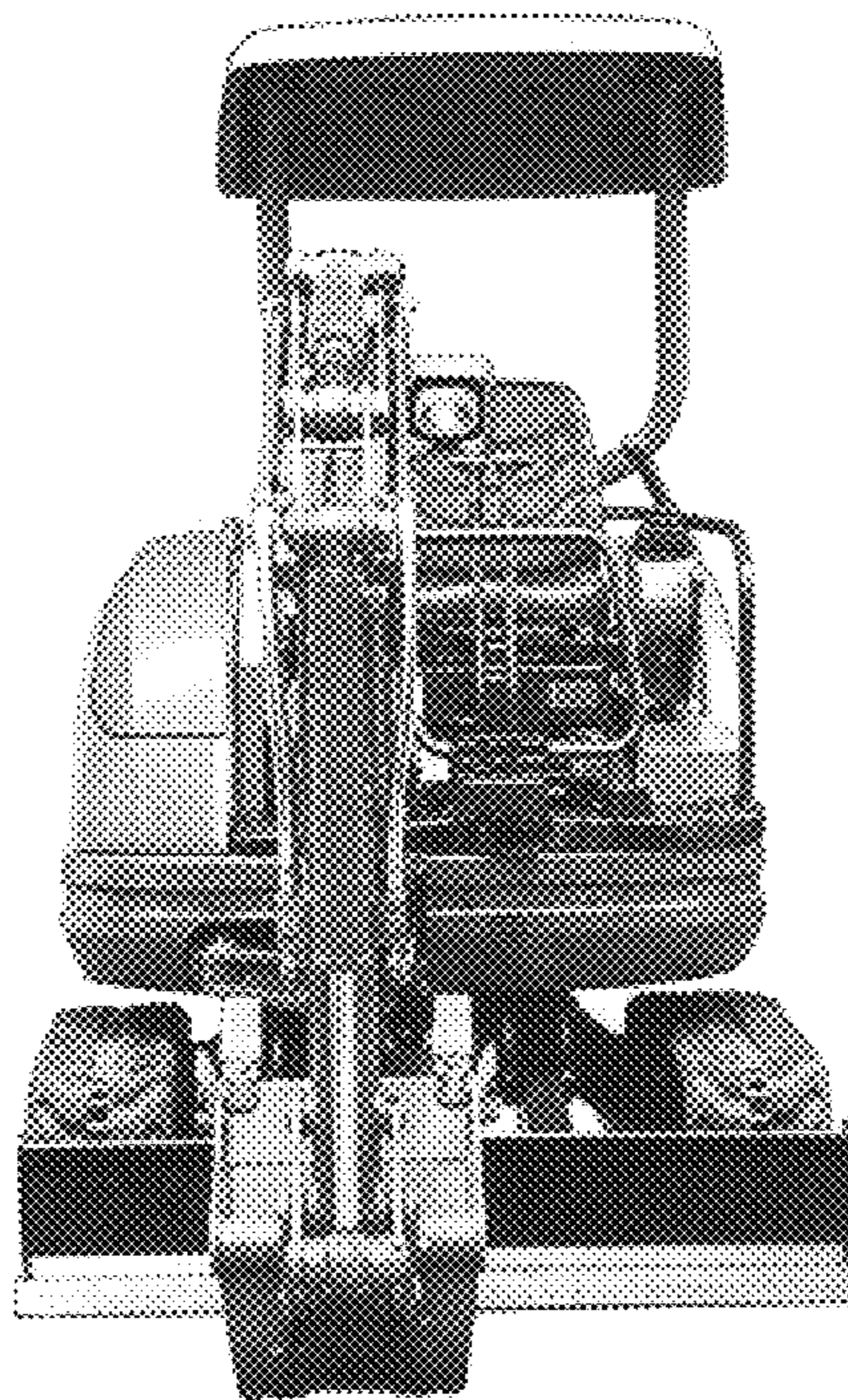


Fig. 4

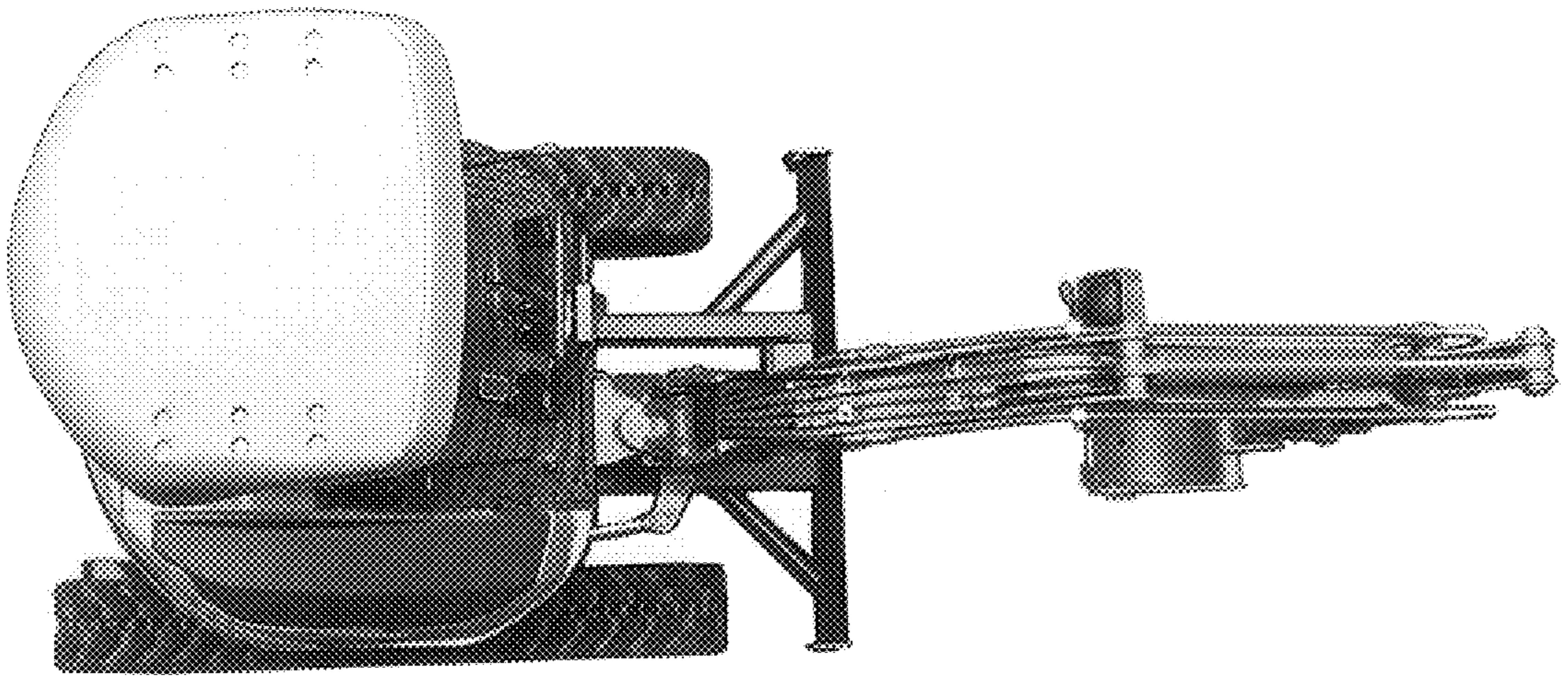


Fig. 5

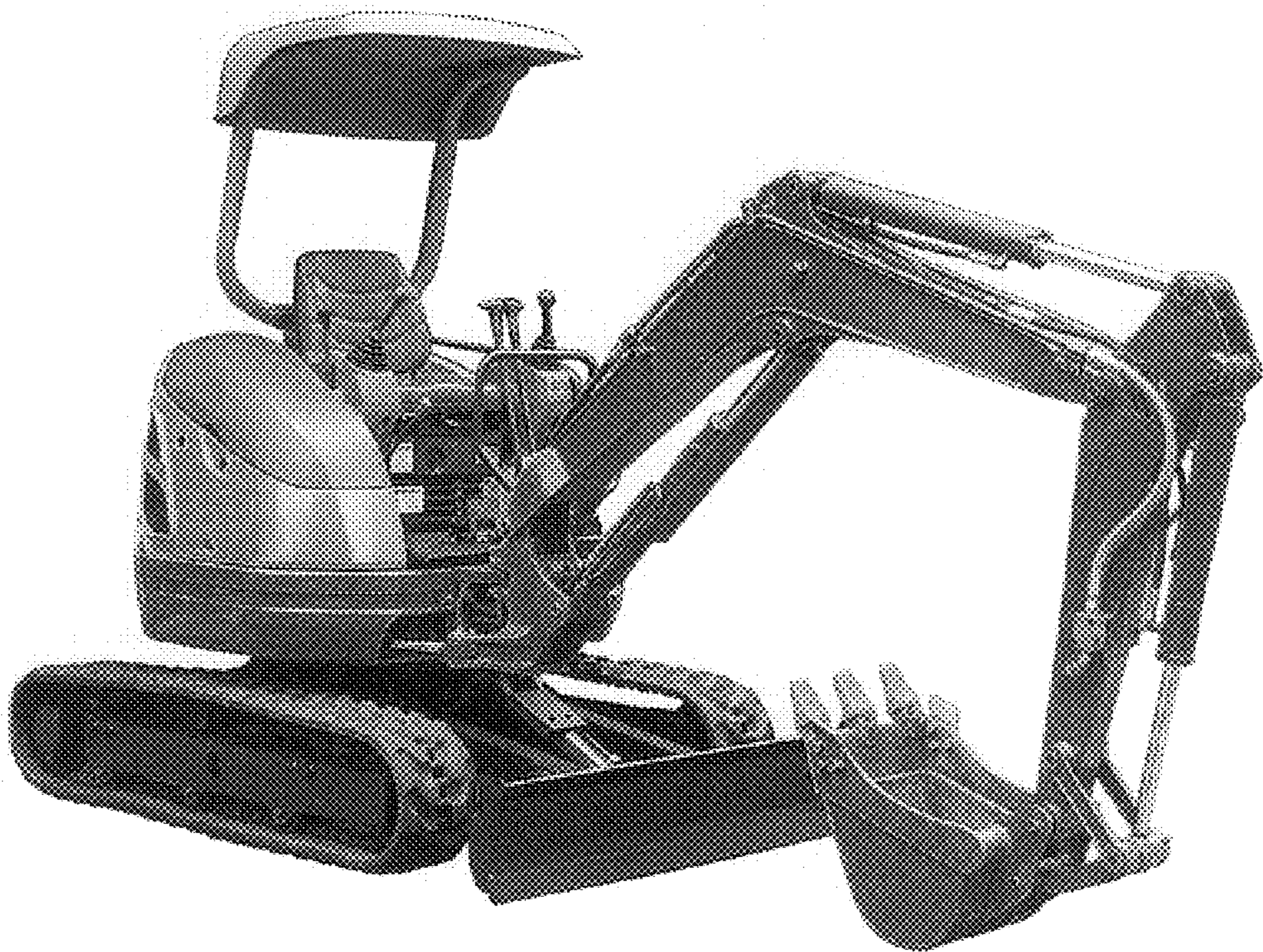


Fig. 6



Fig. 7

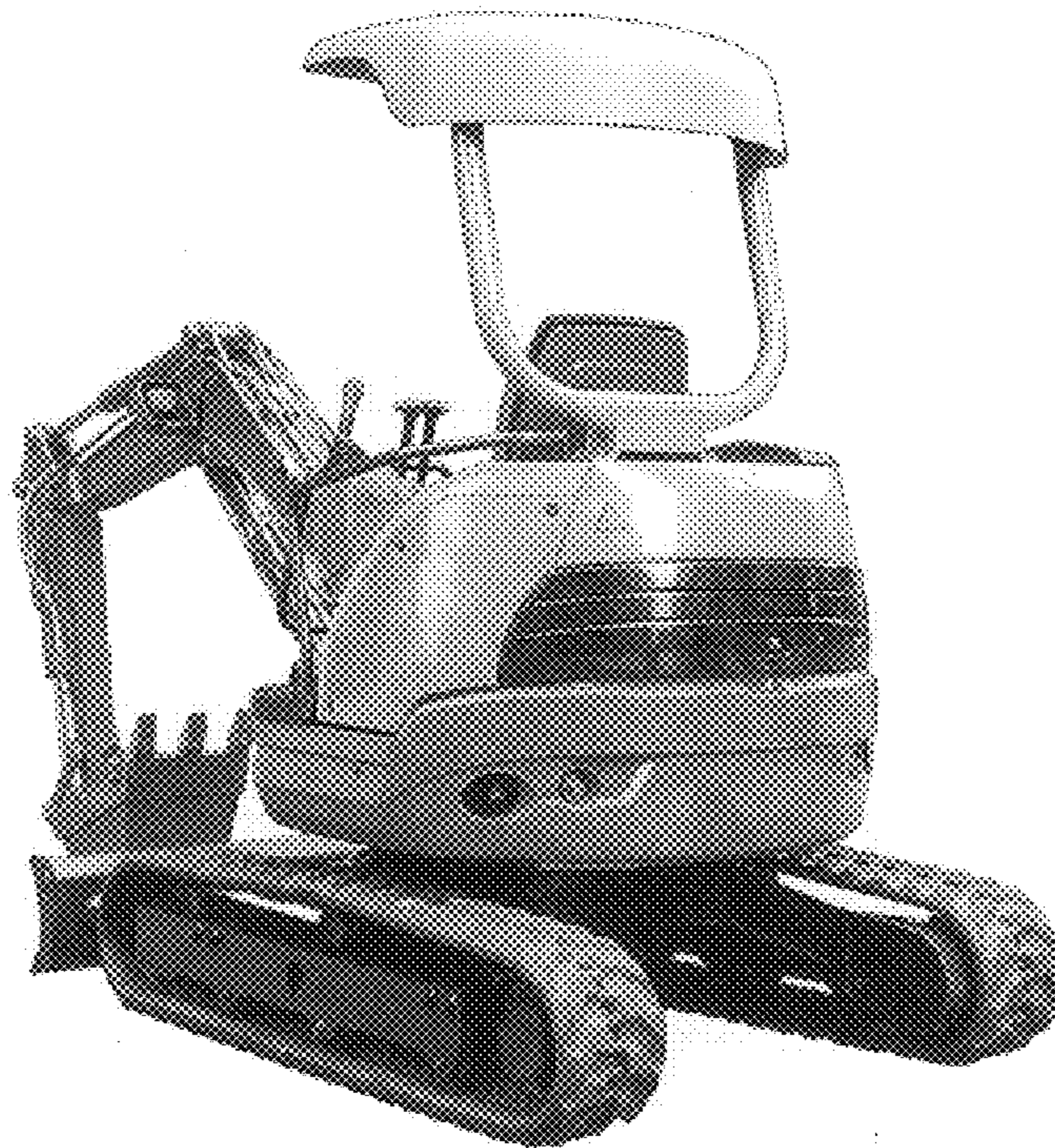


Fig. 8

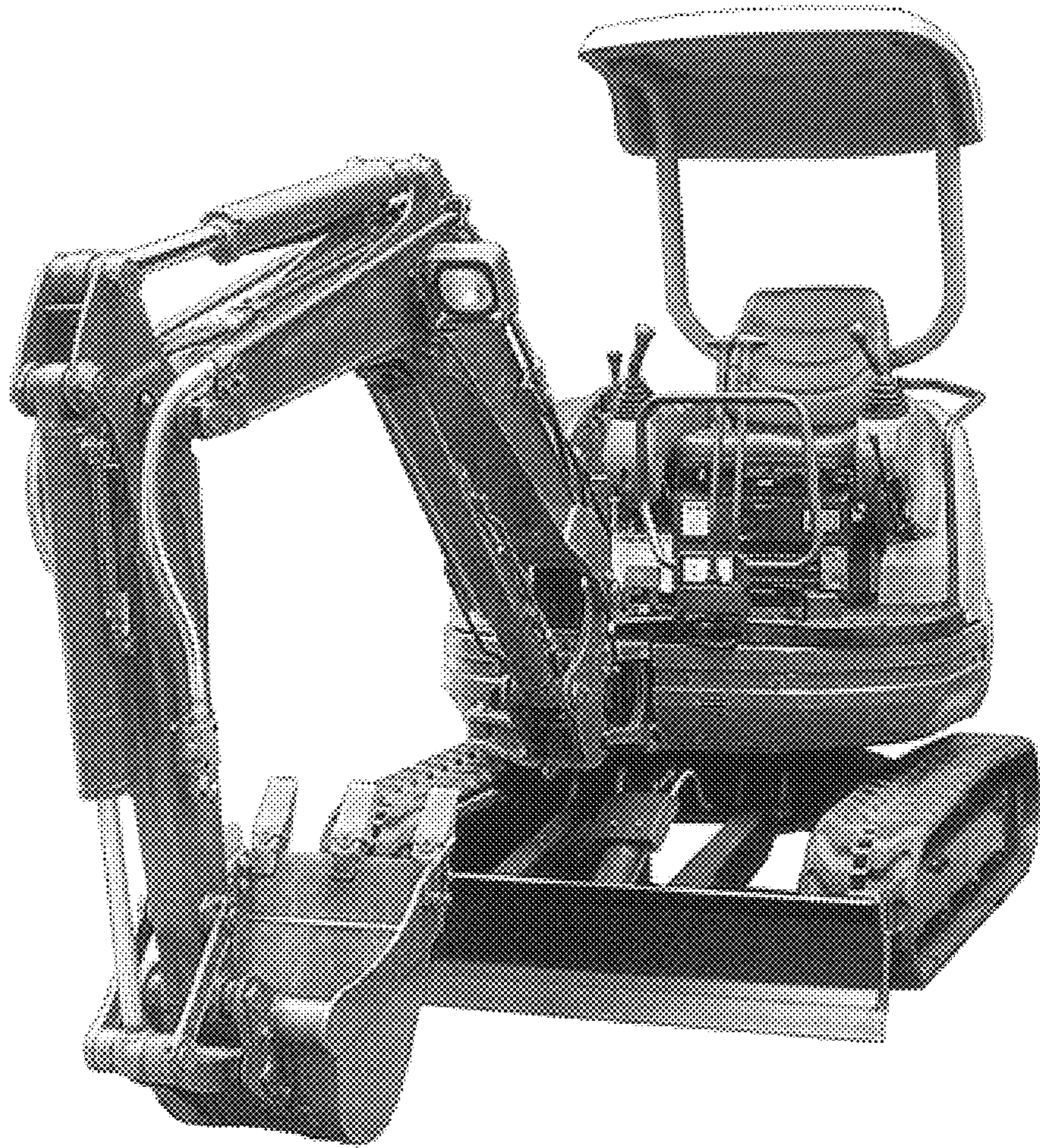


Fig. 9