



US00D473562S

(12) **United States Design Patent**  
**Russell**

(10) **Patent No.:** **US D473,562 S**

(45) **Date of Patent:** **\*\* Apr. 22, 2003**

(54) **PORTABLE ELECTRONIC DEVICE  
PROTECTIVE PAD ATTACHMENTS**

D463,440 S \* 9/2002 Oba ..... D14/451  
D465,486 S \* 11/2002 Lee ..... D14/341  
D465,510 S \* 11/2002 Edwards et al. .... D17/22  
D465,785 S \* 11/2002 Goto ..... D14/447

(75) **Inventor:** **Paul Grady Russell, Campbell, CA  
(US)**

\* cited by examiner

(73) **Assignee:** **Hewlett-Packard Development  
Company, LLP, Houston, TX (US)**

*Primary Examiner*—Kay H. Chin

(\*\*) **Term:** **14 Years**

(57) **CLAIM**

(21) **Appl. No.:** **29/162,430**

The ornamental design for a portable electronic device protective pad attachments, as shown and described.

(22) **Filed:** **Jun. 14, 2002**

**DESCRIPTION**

(51) **LOC (7) Cl.** ..... **14-02**

FIG. 1 is a top perspective view of a portable electronic device protective pad attachments showing my new design, the broken lines are for illustrative purposes only and form no part of the claimed design;

(52) **U.S. Cl.** ..... **D14/447; D14/451**

FIG. 2 is a top plan view thereof;

(58) **Field of Search** ..... D14/432, 439,  
D14/440, 447, 448, 451, 457; D17/22;  
150/154, 158; 248/125.1, 127, 133, 177.1,  
178.1, 179.1, 183.1, 346.1, 346.2, 917-924

FIG. 3 is a bottom plan view thereof;

(56) **References Cited**

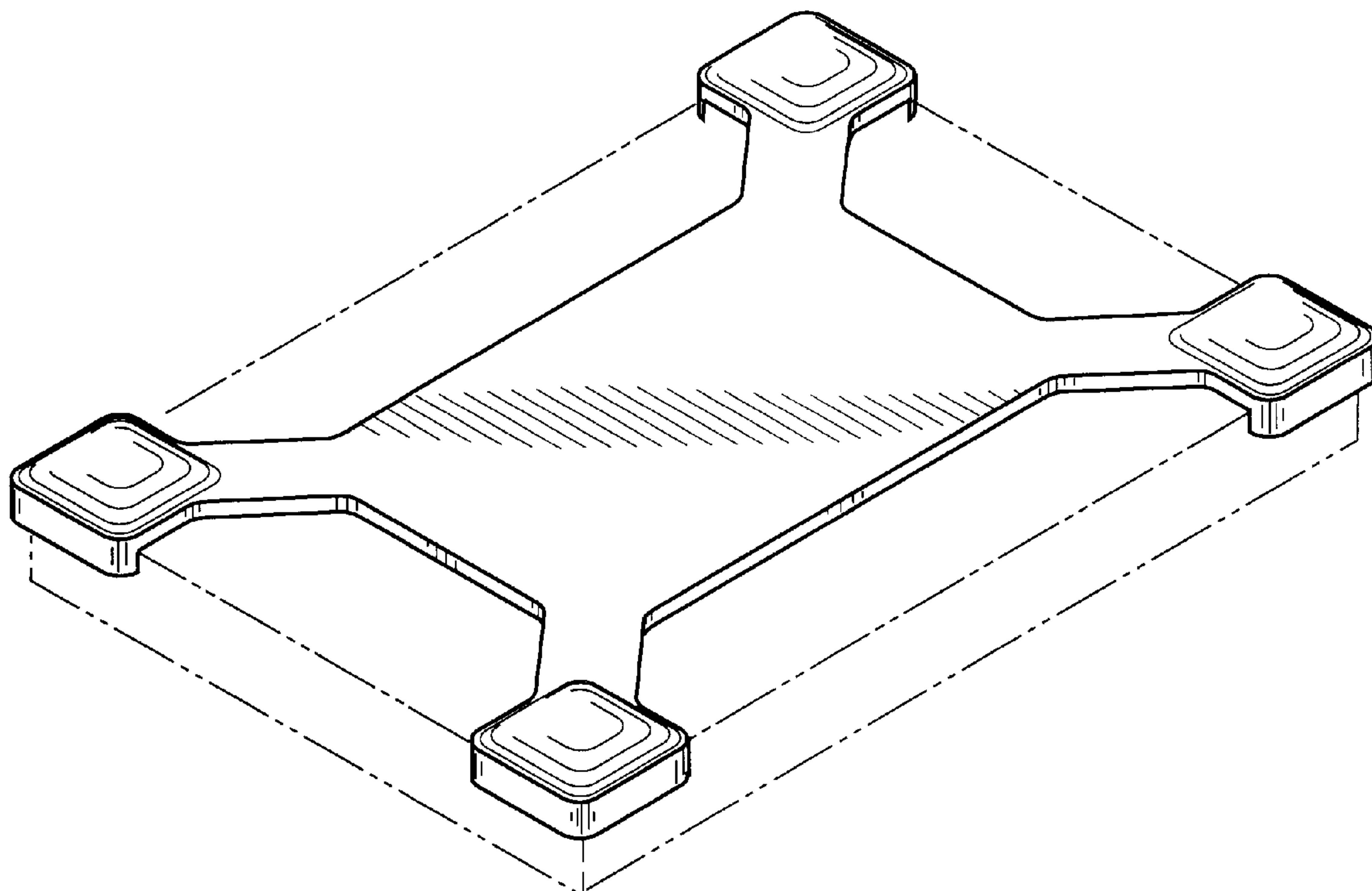
FIG. 4 is a side elevation view thereof, the opposite side view being a mirror image of that shown; and,

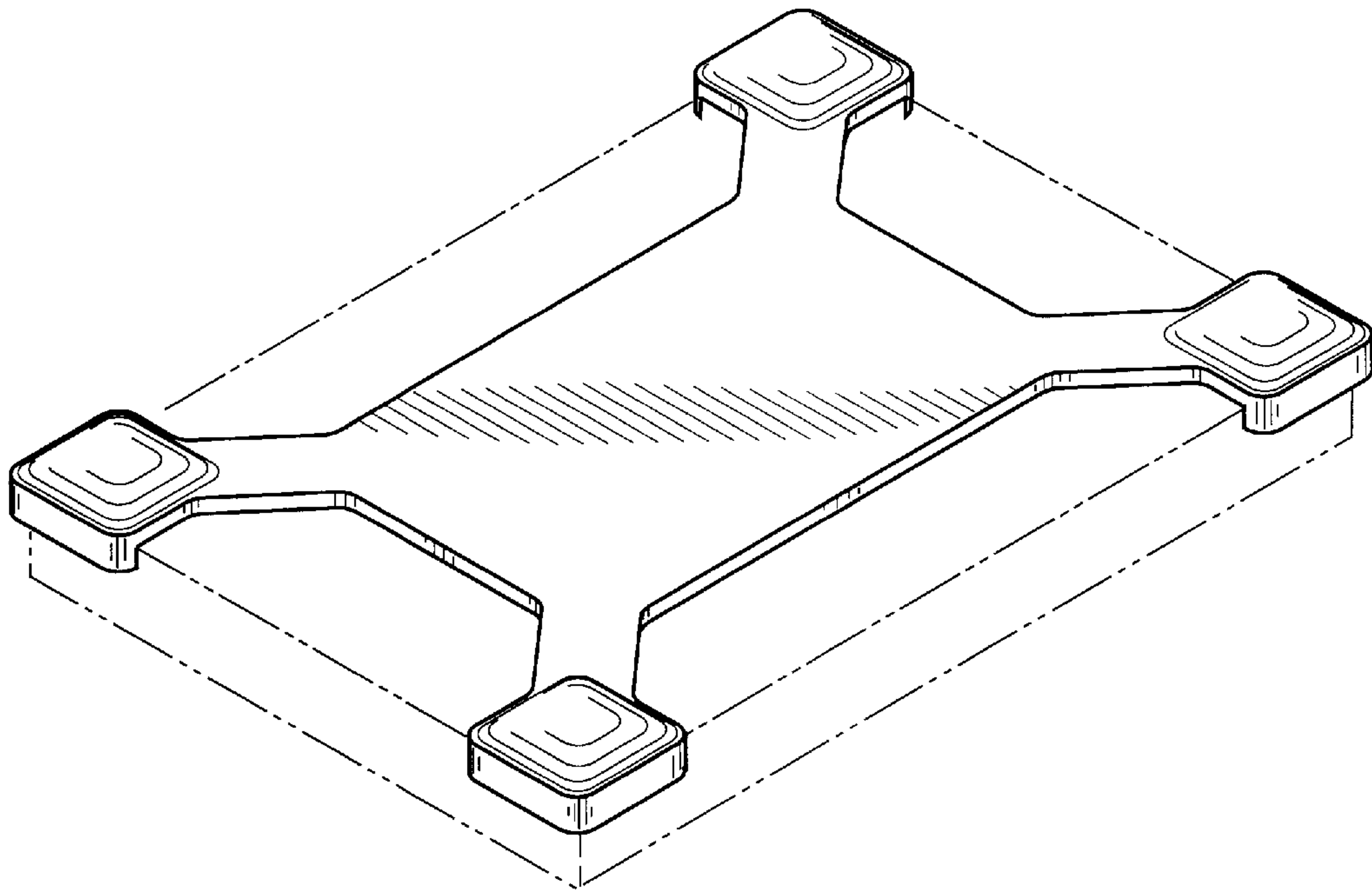
**U.S. PATENT DOCUMENTS**

FIG. 5 is a front elevation view thereof, the rear elevation view being a mirror image of that shown.

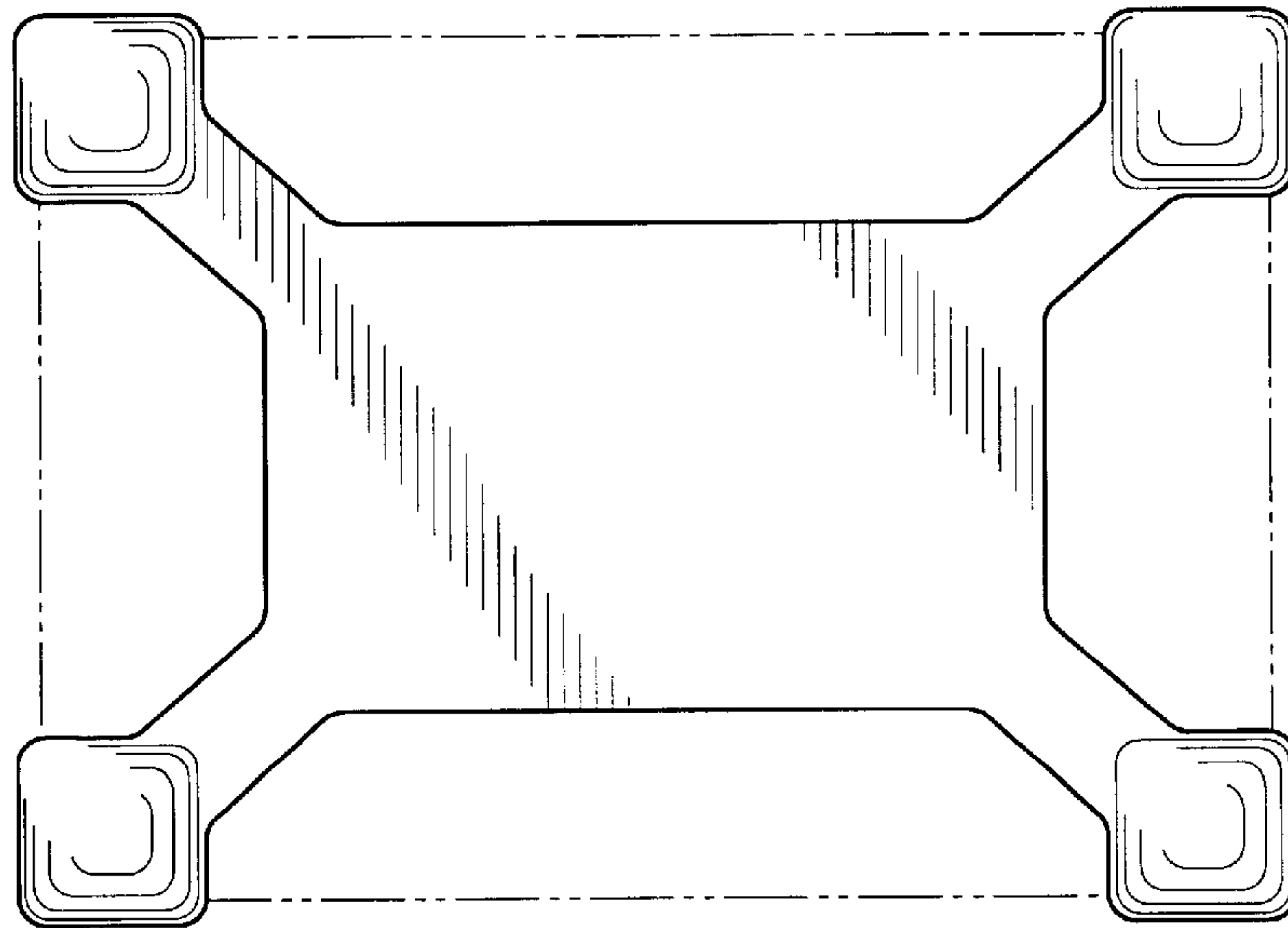
D441,759 S \* 5/2001 Goto ..... D14/447  
D458,269 S \* 6/2002 Goto ..... D14/447

**1 Claim, 2 Drawing Sheets**

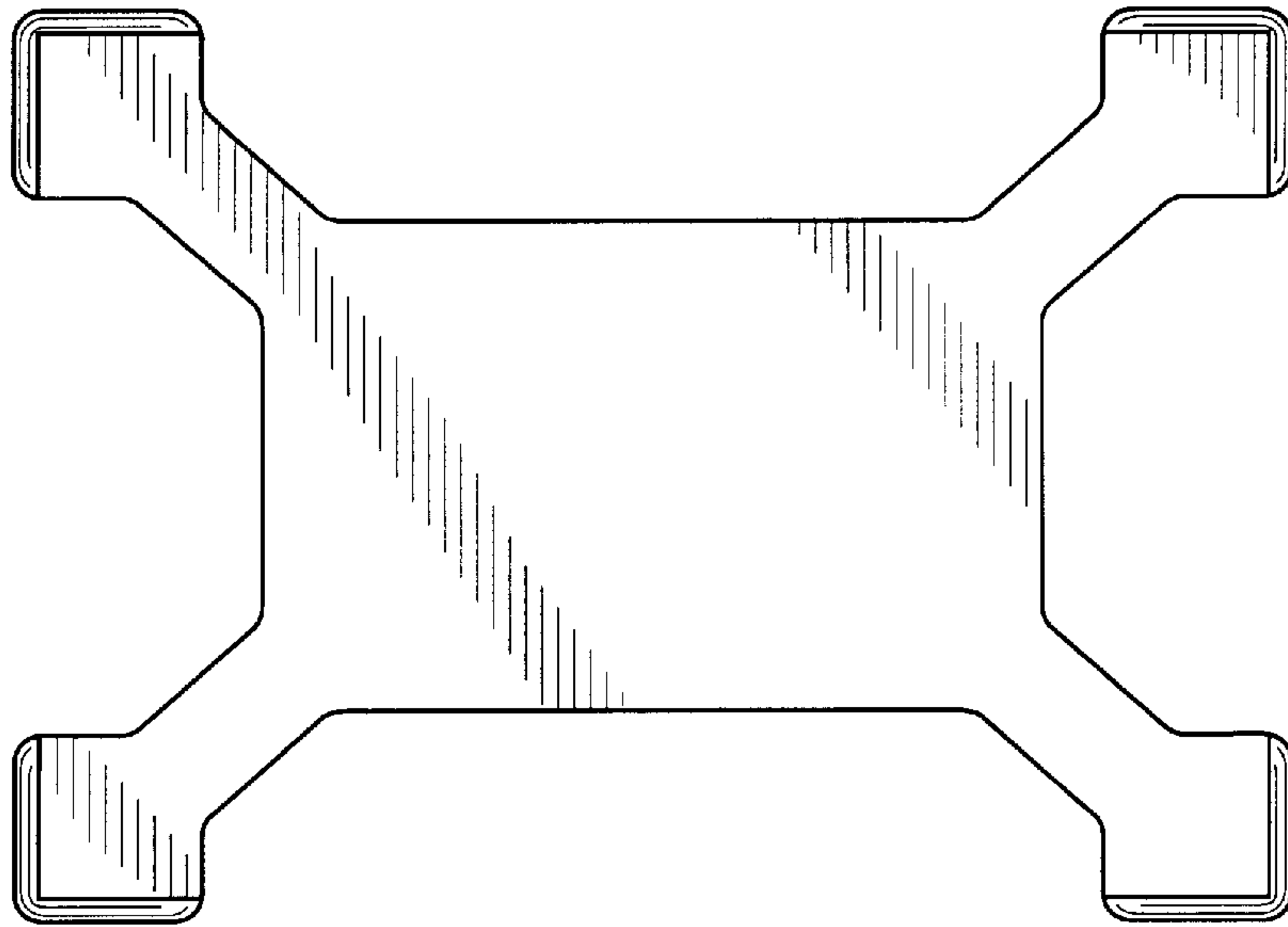




**Fig. 1**



**Fig. 2**



**Fig. 3**



**Fig. 4**



**Fig. 5**