



US00D473560S

(12) **United States Design Patent**  
**Bianco**

(10) **Patent No.:** **US D473,560 S**

(45) **Date of Patent:** **\*\* Apr. 22, 2003**

(54) **HAND-HELD OPTICAL INDICIA SCANNER**

\* cited by examiner

(76) Inventor: **James S. Bianco**, 217 Brainard Rd.,  
Enfield, CT (US) 06082

*Primary Examiner*—Kay H. Chin  
(74) *Attorney, Agent, or Firm*—John H. Crozier

(\*\*) Term: **14 Years**

(57) **CLAIM**

(21) Appl. No.: **29/161,461**

The ornamental design for a hand-held optical indicia scanner, as shown and described.

(22) Filed: **May 31, 2002**

**DESCRIPTION**

(51) **LOC (7) Cl.** ..... **14-02**

(52) **U.S. Cl.** ..... **D14/428; D14/420**

(58) **Field of Search** ..... D14/420, 426-431;  
235/375, 378, 385, 454, 462.15, 472.02,  
486; 382/312-315, 318, 319, 321; 250/203.1;  
D26/37, 45, 50

FIG. 1 is a left side/top/front perspective view of a hand-held optical indicia scanner of my new design; FIG. 2 is a front elevational view thereof; FIG. 3 is a rear elevational view thereof; FIG. 4 is a right side elevational view thereof; FIG. 5 is a left side elevational view thereof; FIG. 6 is a top plan view thereof; and, FIG. 7 is a bottom plan view thereof.

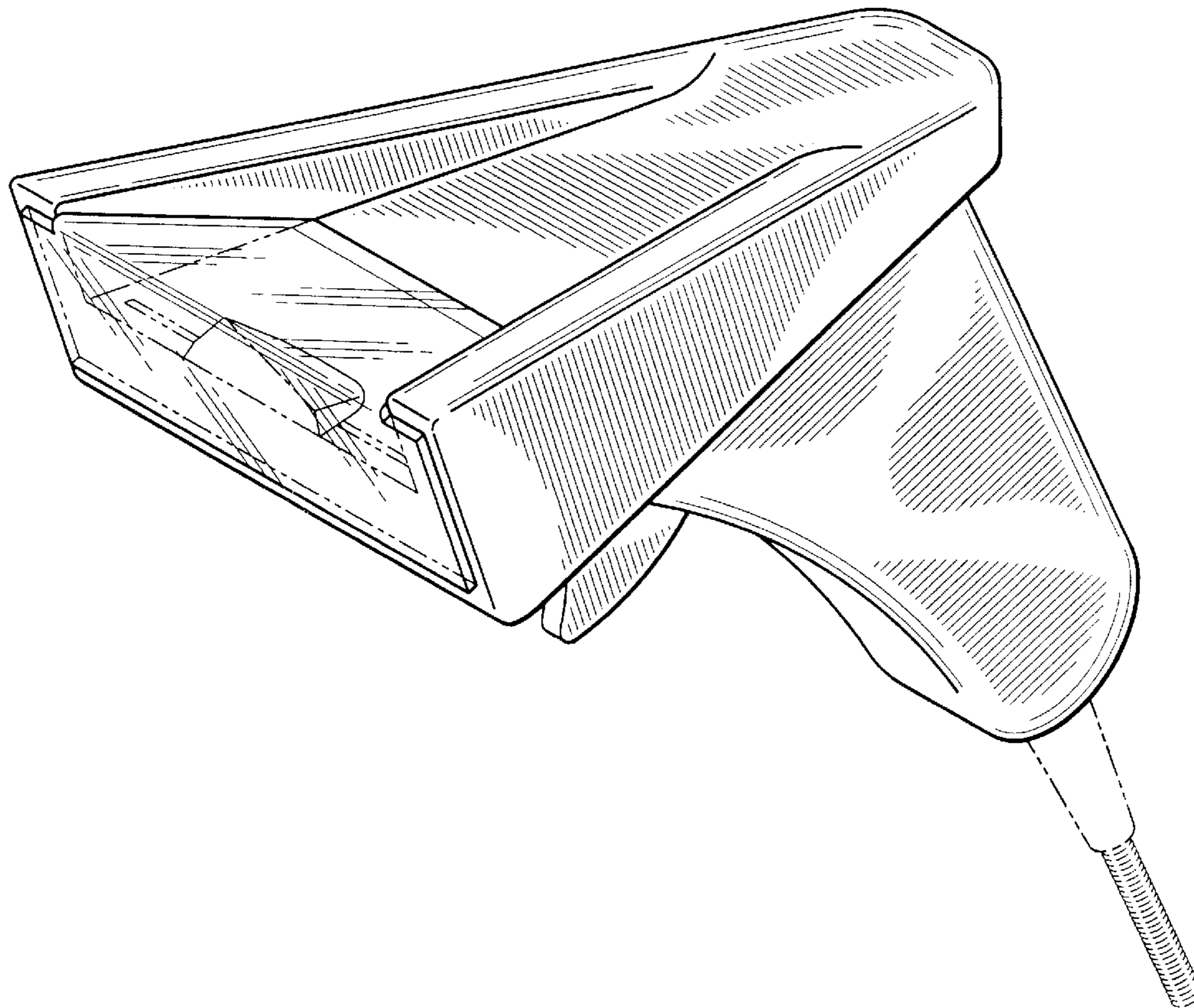
(56) **References Cited**

**U.S. PATENT DOCUMENTS**

D330,708 S	*	11/1992	LaManna et al.	.....	D14/428
D344,501 S	*	2/1994	Gong et al.	.....	D14/428
D374,869 S	*	10/1996	Karlin	.....	D14/428

The material shown in broken lines on the lower right of FIG. 1 comprises no part of the claimed invention.

**1 Claim, 4 Drawing Sheets**



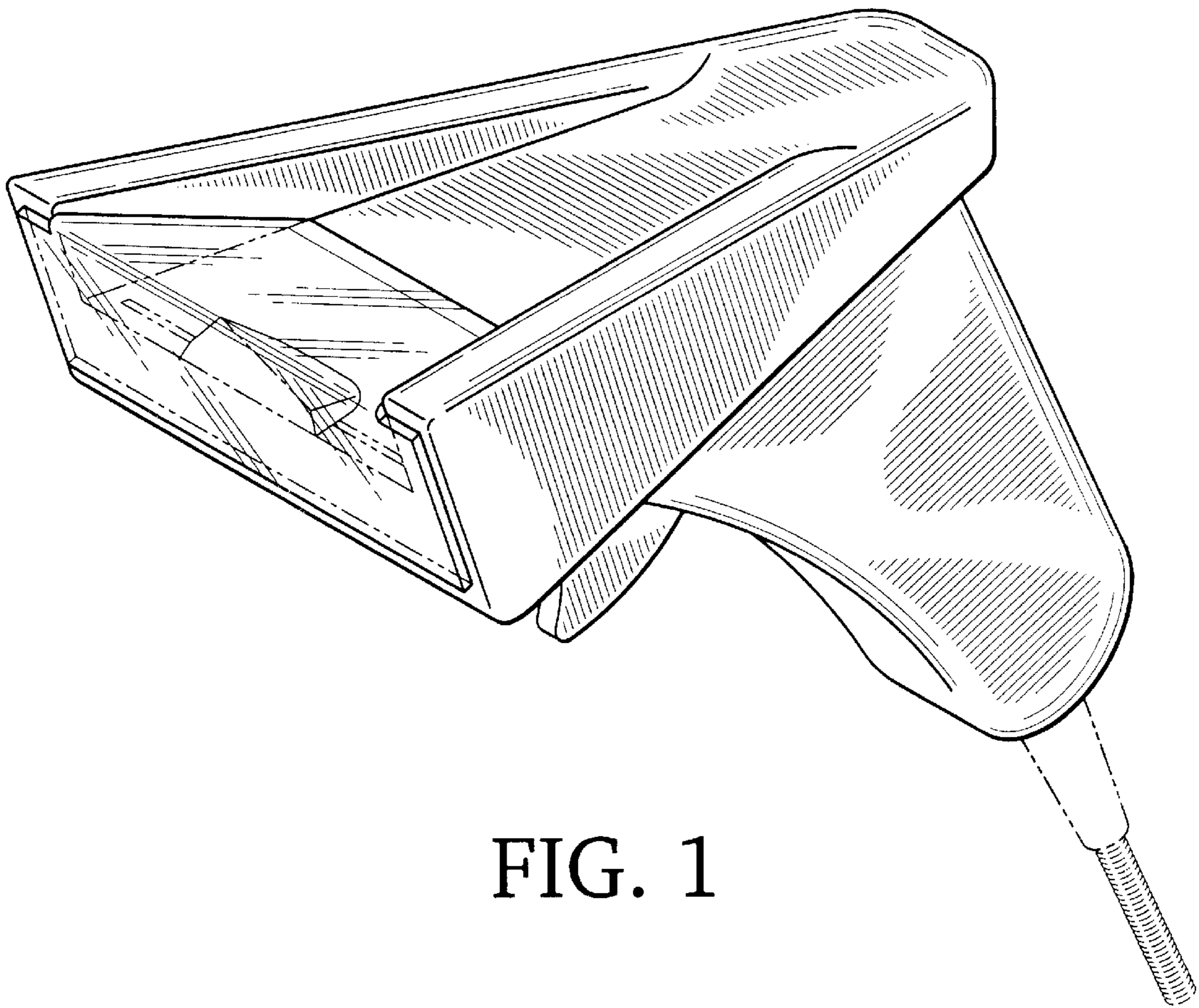


FIG. 1

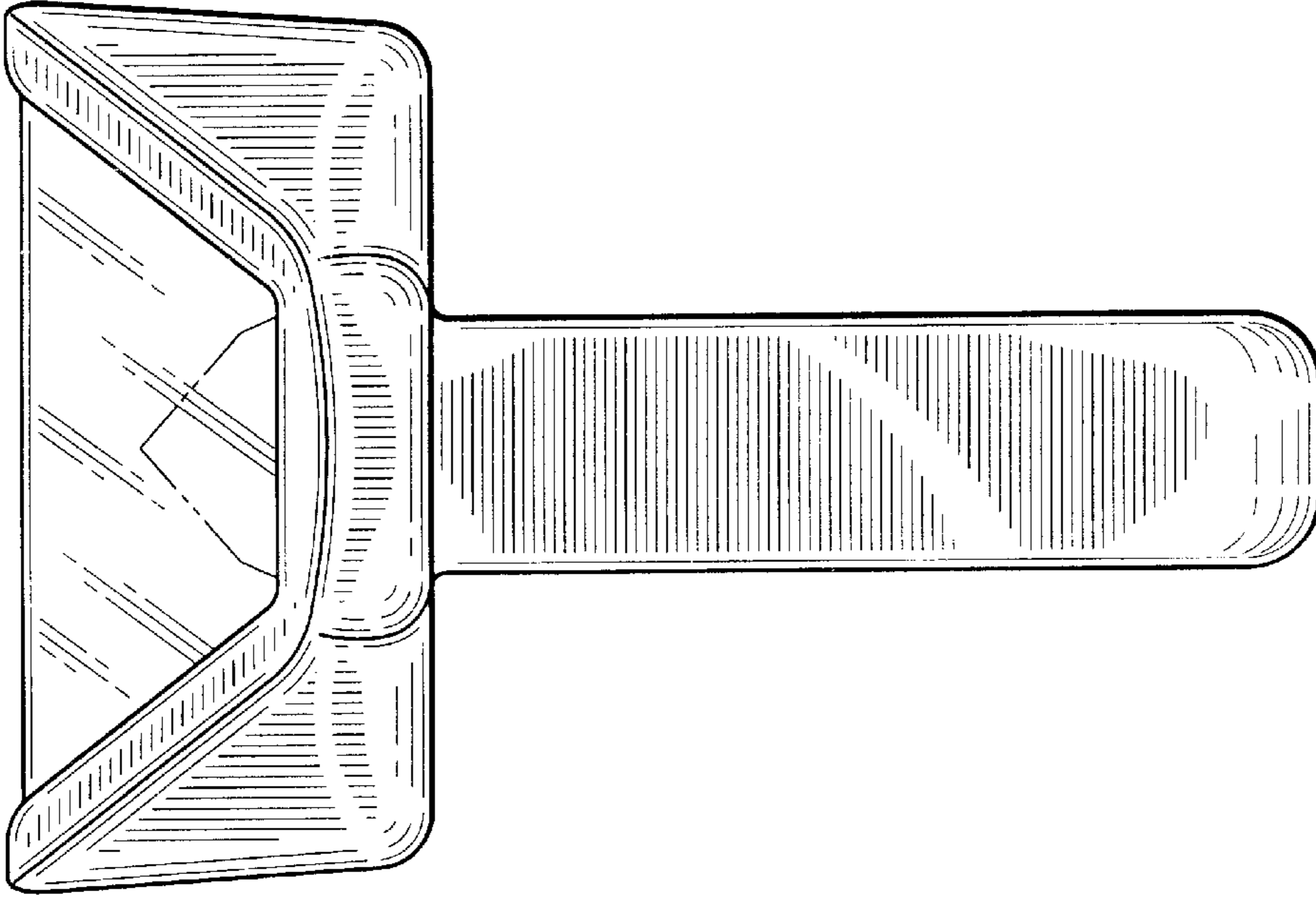


FIG. 3

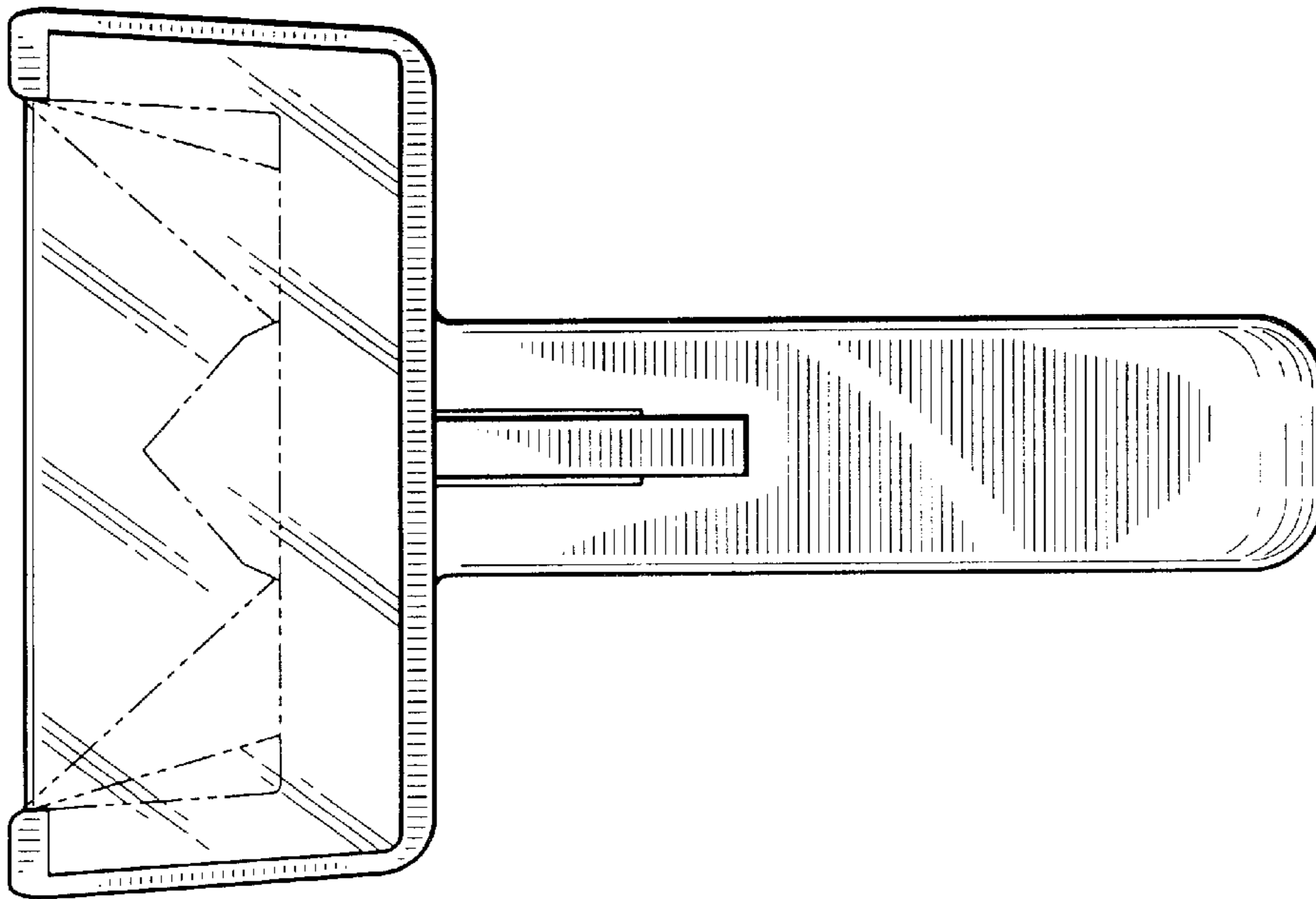


FIG. 2



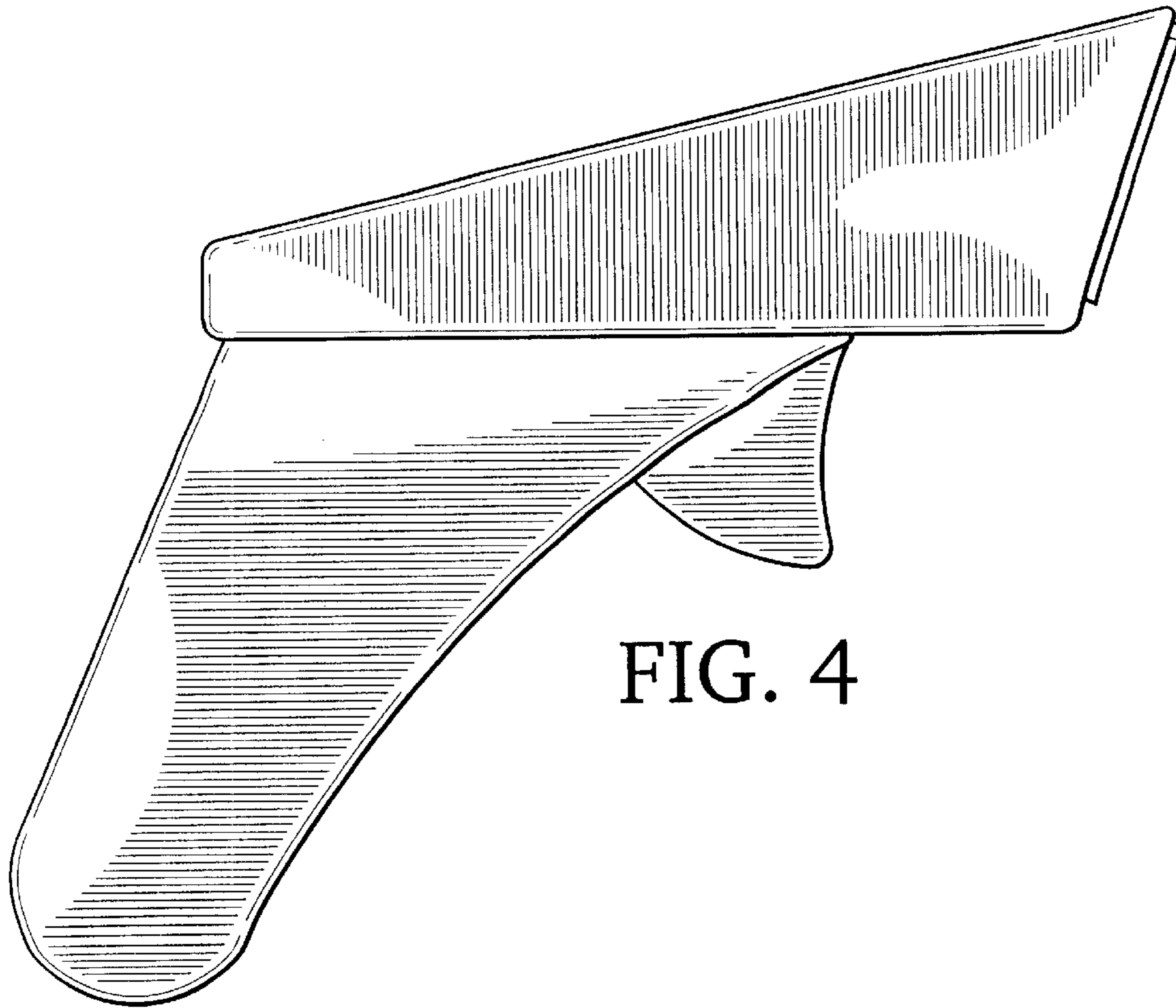


FIG. 4

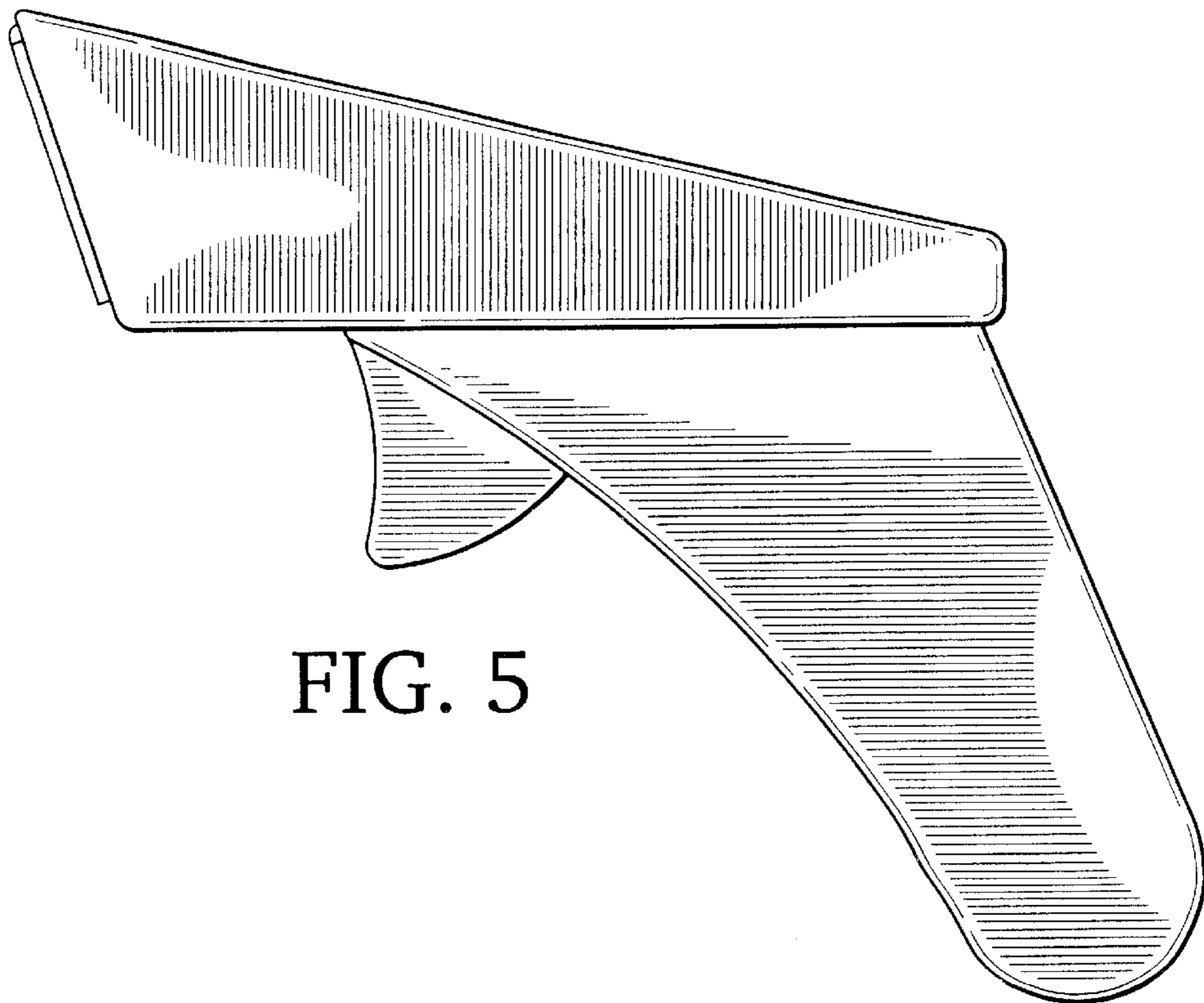


FIG. 5

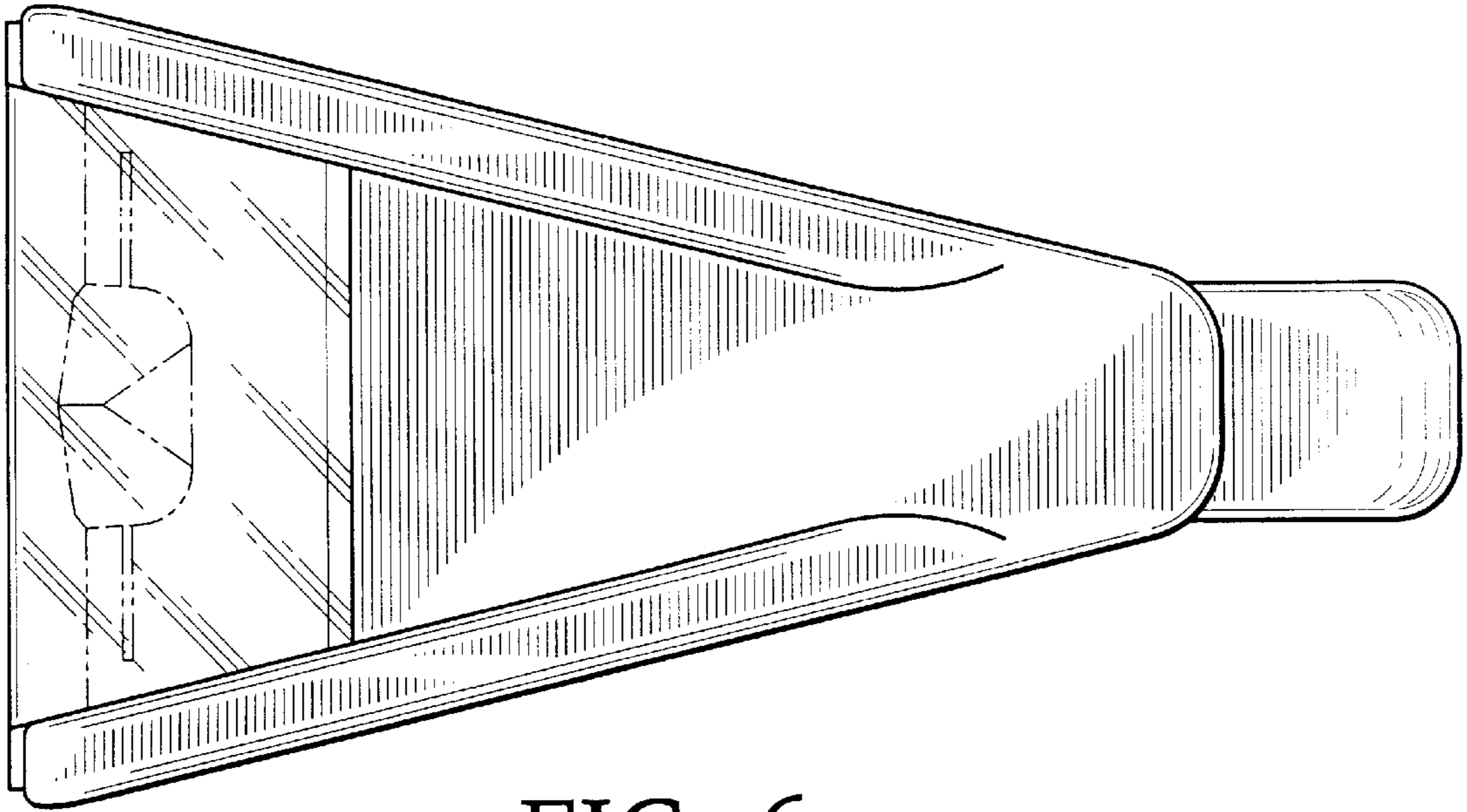


FIG. 6

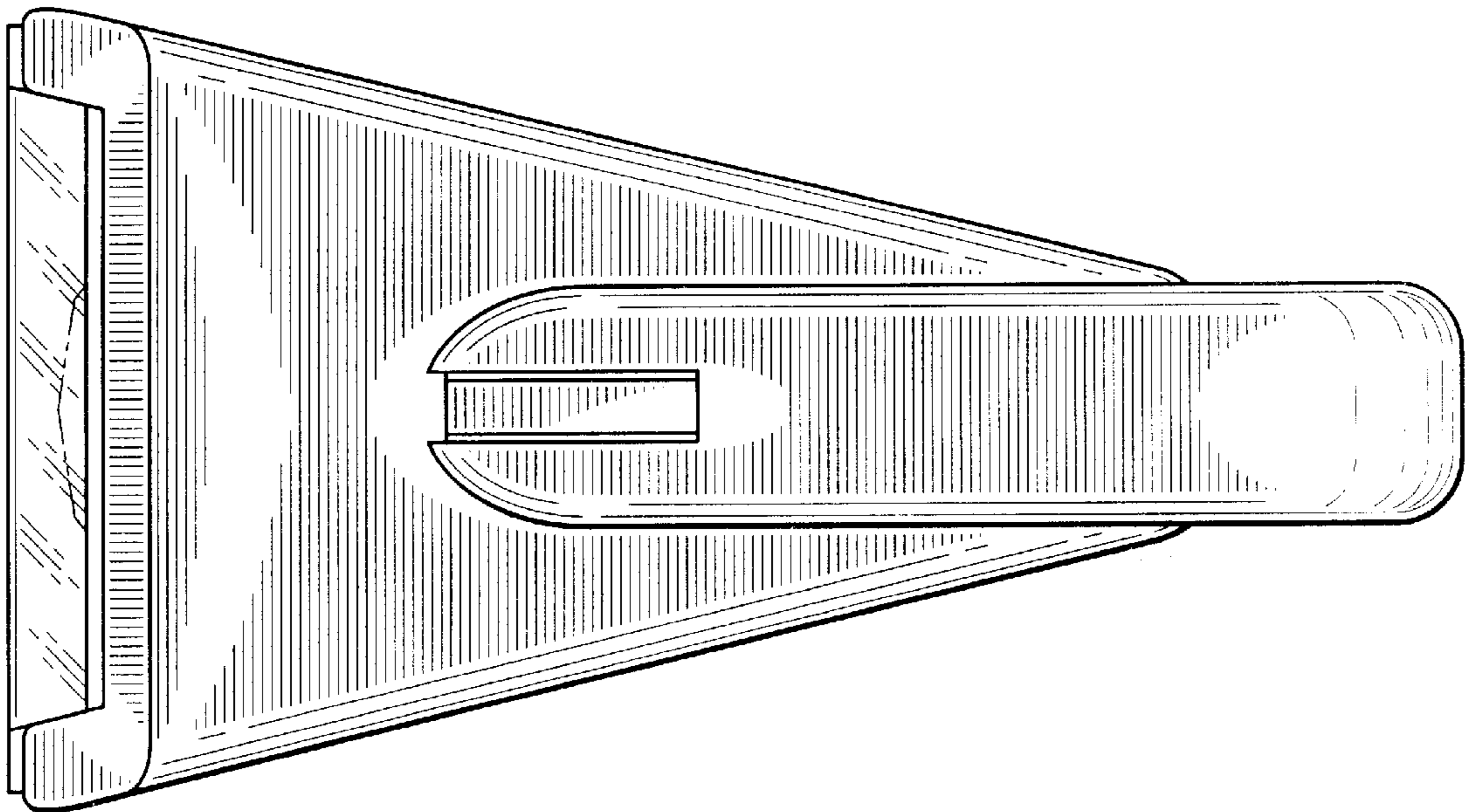


FIG. 7