



US00D473559S

(12) **United States Design Patent**  
**Borsboom et al.**

(10) **Patent No.: US D473,559 S**

(45) **Date of Patent: \*\* Apr. 22, 2003**

(54) **LCD DISPLAY**

(75) Inventors: **Antonious M. Borsboom**, Singapore (SG); **Edwin Lord Beck**, Singapore (SG); **Zheng Tang**, Singapore (SG); **Lawrence Kok Chian Leong**, Singapore (SG); **Daniel Tiong Hai Toh**, Singapore (SG); **Brian Liong Ein Ling**, Singapore (SG); **Kam Wayne Young**, Singapore (SG); **Kok Keong Goh**, Singapore (SG); **Yann Mabile**, Singapore (SG); **Shi-Kuan Chen**, Taipei (TW); **Markus Wierzoch**, Taipei (TW); **Jason Ching-Hsin Yang**, Taipei (TW)

(73) Assignee: **HannStar Display Corp.**, Taipei (TW)

(\*\*) Term: **14 Years**

(21) Appl. No.: **29/160,859**

(22) Filed: **May 16, 2002**

(51) **LOC (7) Cl. .... 14-02**

(52) **U.S. Cl. .... D14/375**

(58) **Field of Search** ..... D14/371, 374-376, D14/125-129, 341, 336, 240, 343, 345; 248/917-924; 345/104, 156, 168, 173; 348/180, 184; 349/1, 2, 11, 62; 361/680, 681; 708/110

(56) **References Cited**

**U.S. PATENT DOCUMENTS**

4,918,632 A \* 4/1990 York ..... 361/680

5,109,354 A \* 4/1992 Yamashita et al. .... 708/110  
D391,987 S \* 3/1998 Jambhekar et al. .... D14/345  
D417,201 S \* 11/1999 Davis ..... D14/343  
D430,117 S \* 8/2000 Sachs et al. .... D14/345  
D442,953 S \* 5/2001 Lassen ..... D14/345  
D449,606 S \* 10/2001 Lee et al. .... D14/345

\* cited by examiner

*Primary Examiner*—Freda Nunn

(74) *Attorney, Agent, or Firm*—Merchant & Gould; Tim Tingkang Xia

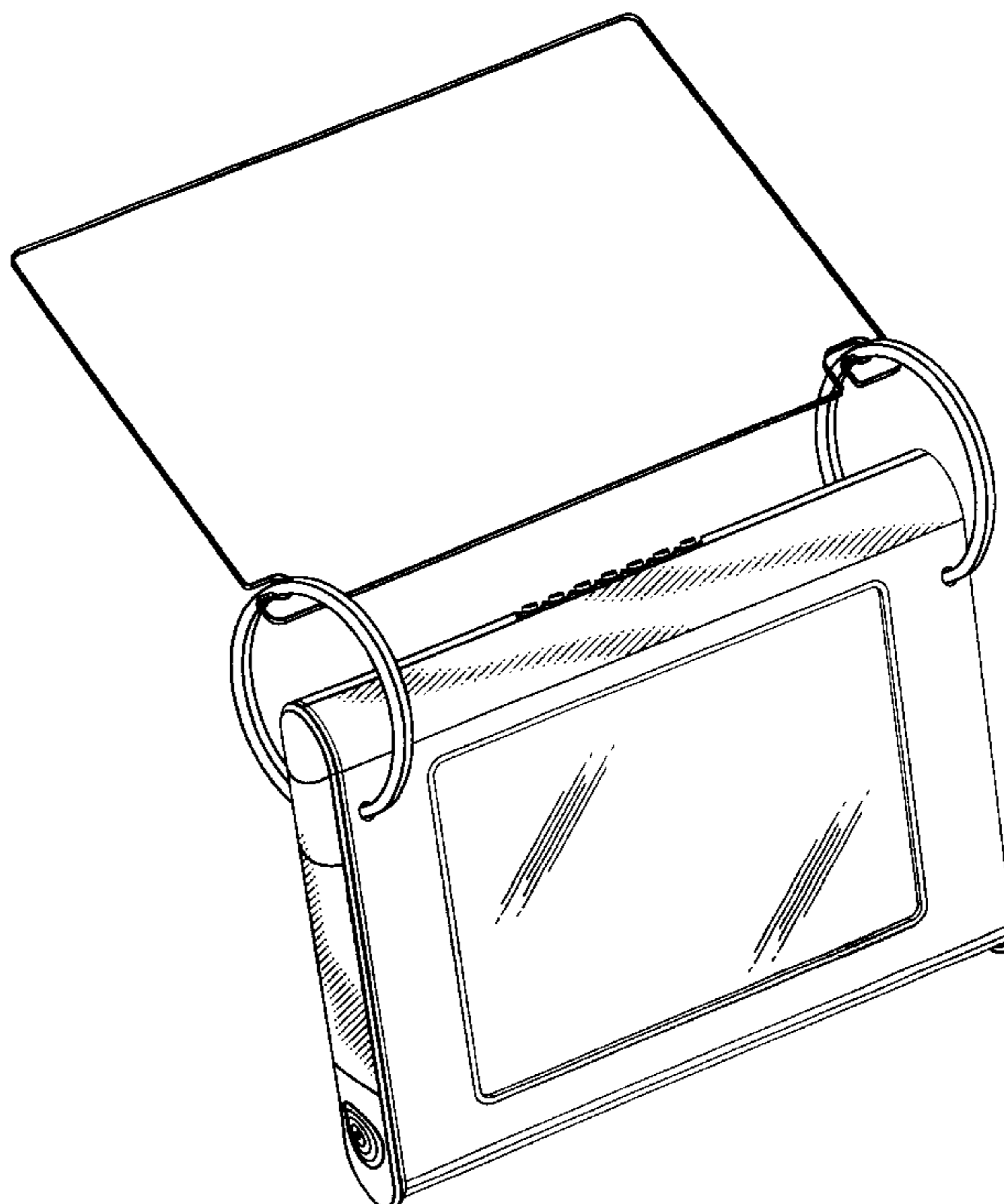
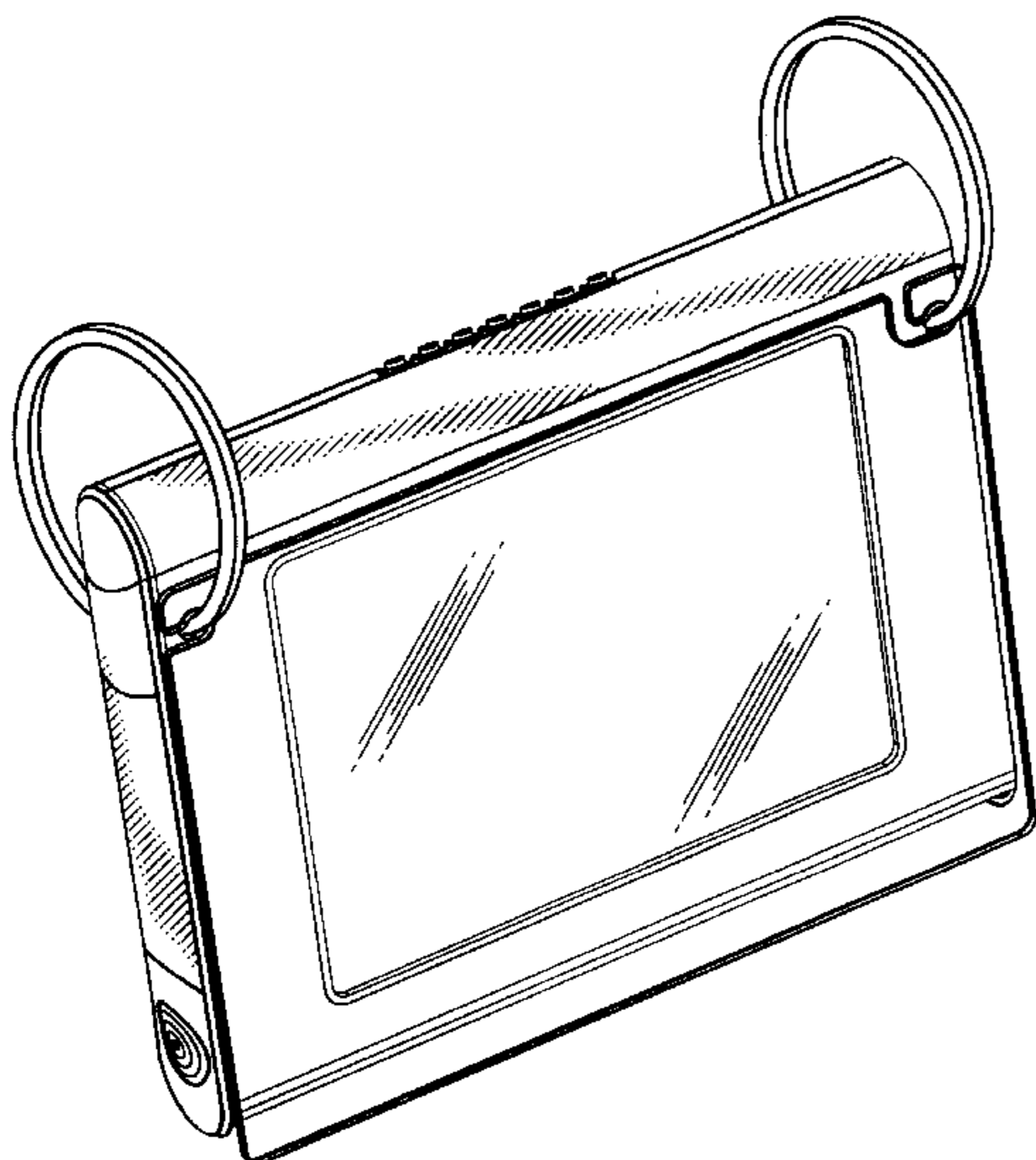
(57) **CLAIM**

The ornamental design for an LCD display, as shown and described.

**DESCRIPTION**

FIG. 1 is a front perspective view thereof;  
FIG. 2 is a right side elevational view thereof;  
FIG. 3 is a top plane view thereof;  
FIG. 4 is a front elevational view thereof;  
FIG. 5 is a bottom plane view thereof;  
FIG. 6 is a left side elevational view thereof;  
FIG. 7 is a rear elevational view thereof;  
FIG. 8 is a right side elevational view with the legs in an elevated situation thereof; and,  
FIG. 9 is front perspective view with the frame in an opened state thereof.

**1 Claim, 9 Drawing Sheets**



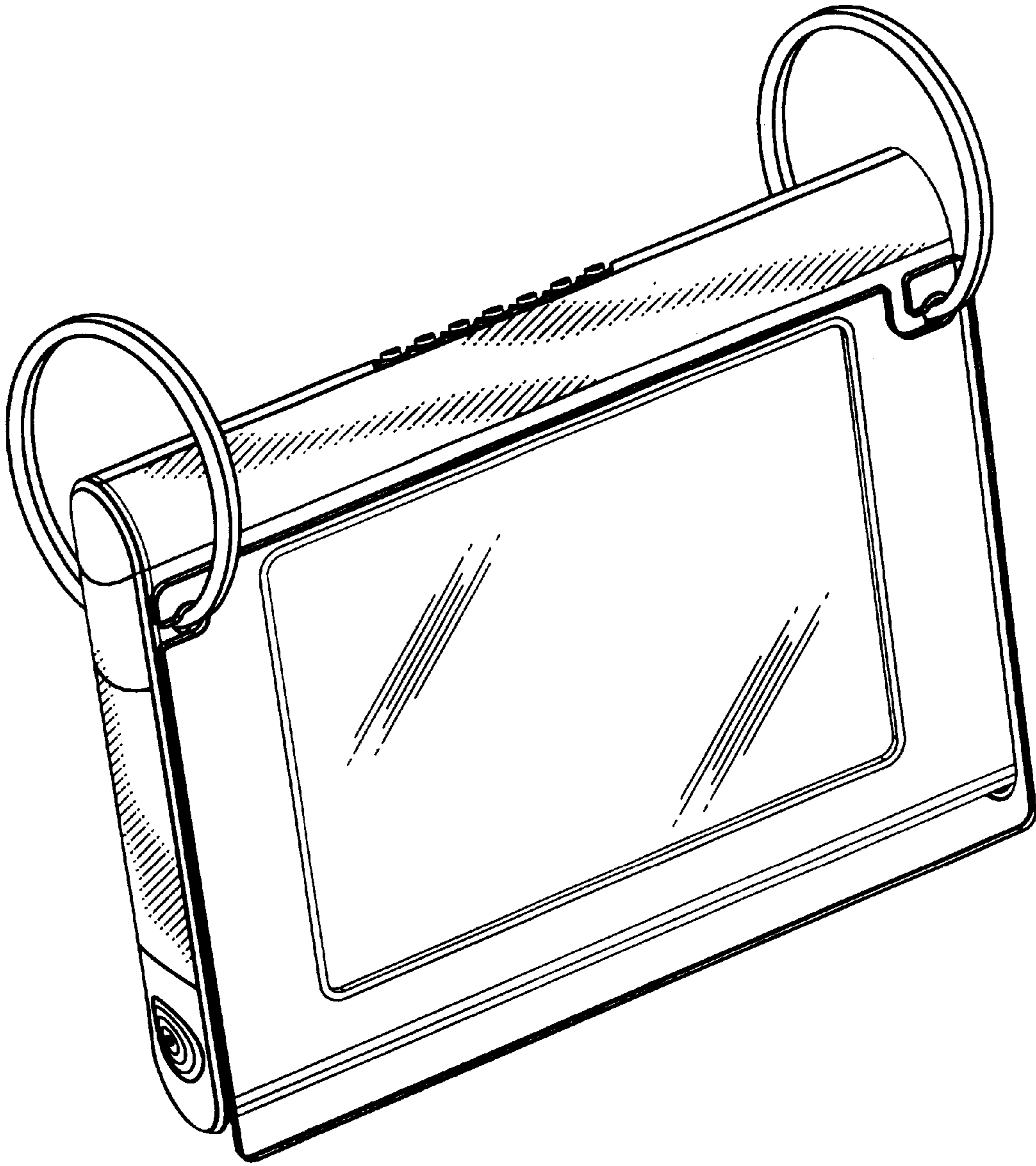


FIG. 1

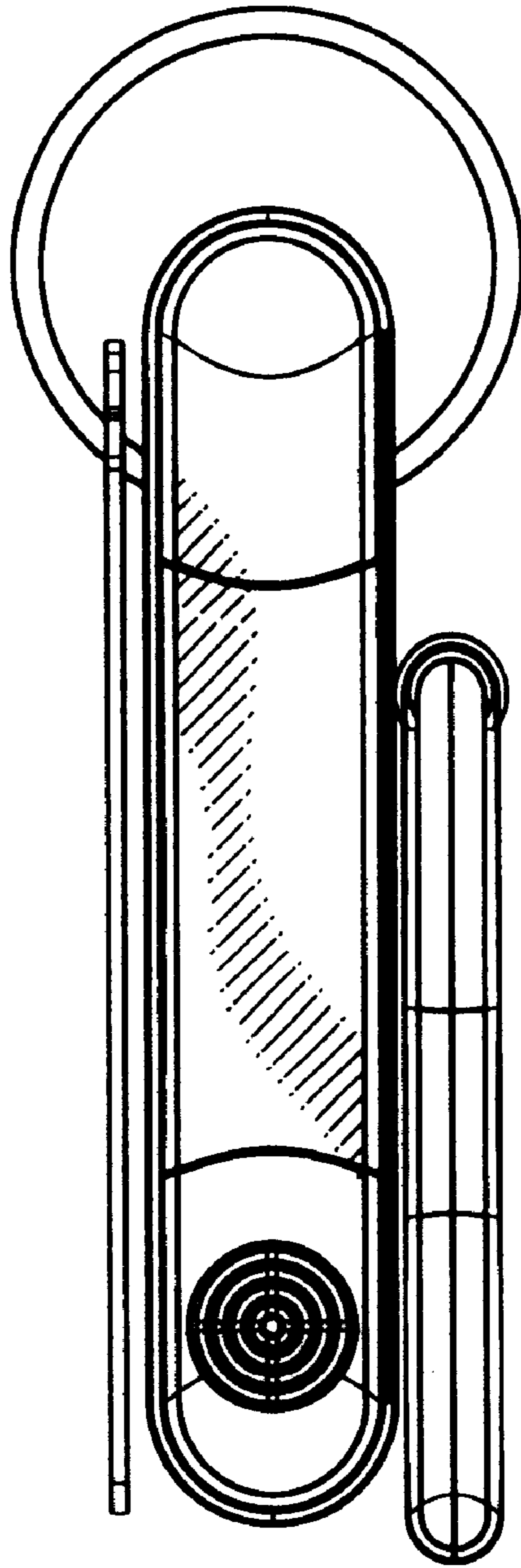


FIG. 2

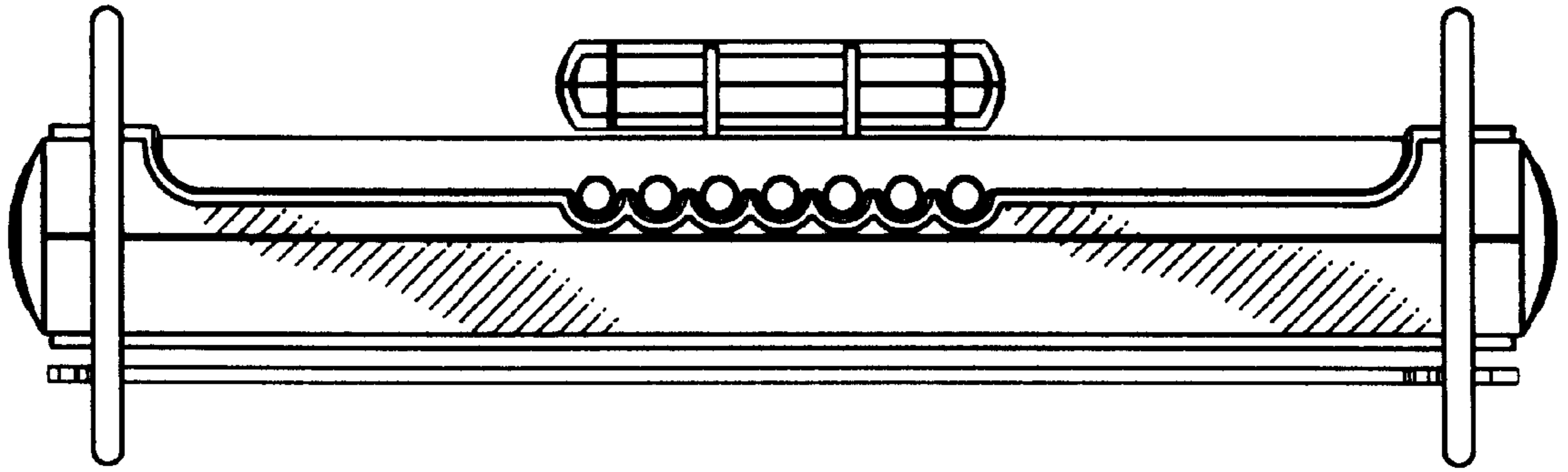


FIG. 3

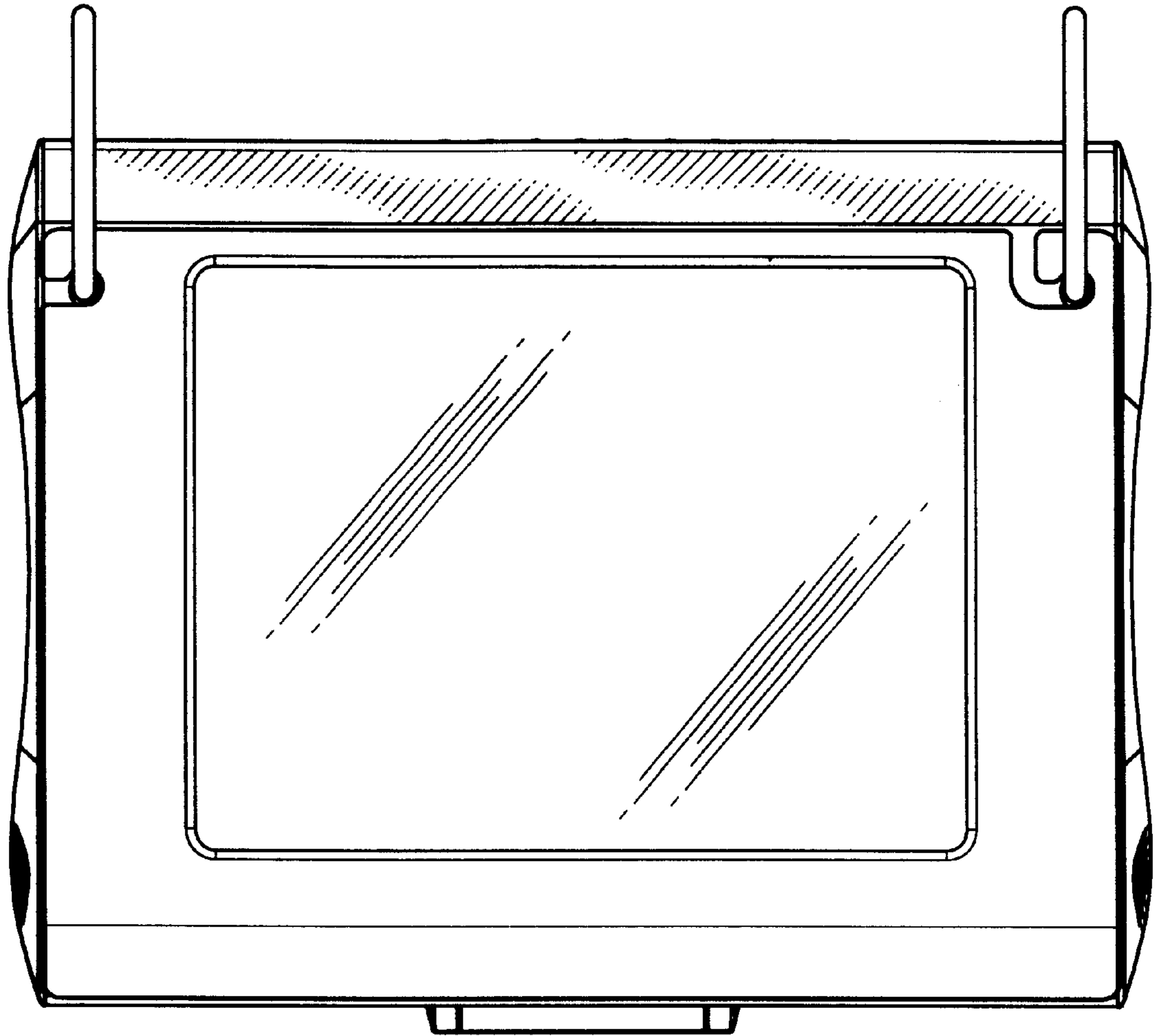


FIG. 4

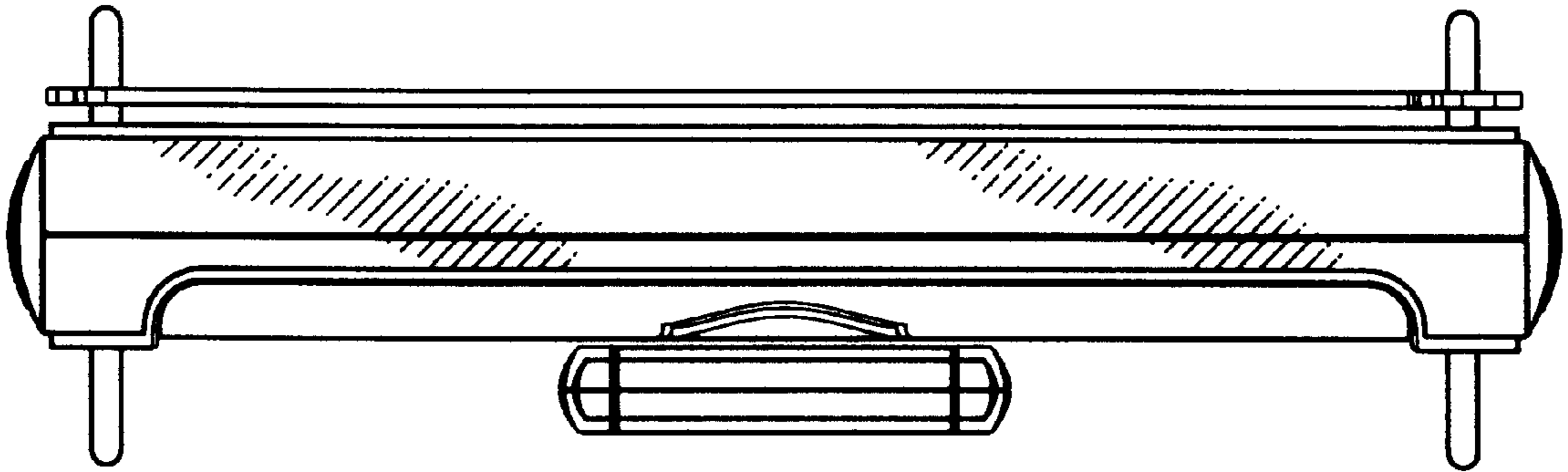


FIG. 5

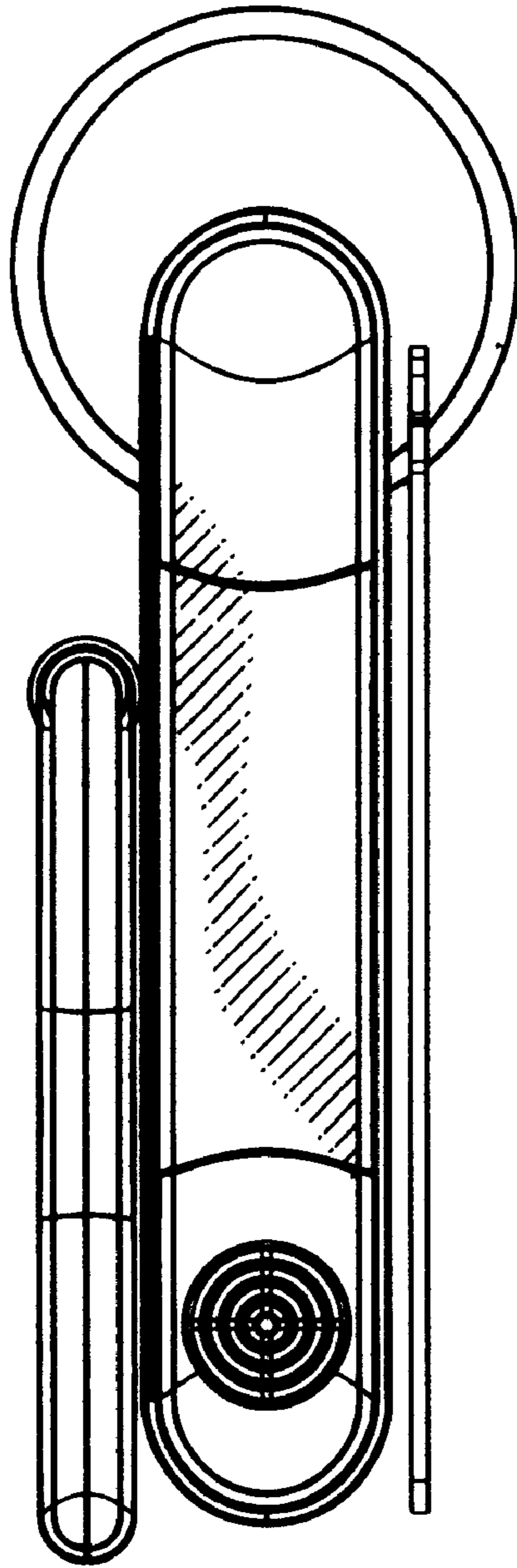


FIG. 6

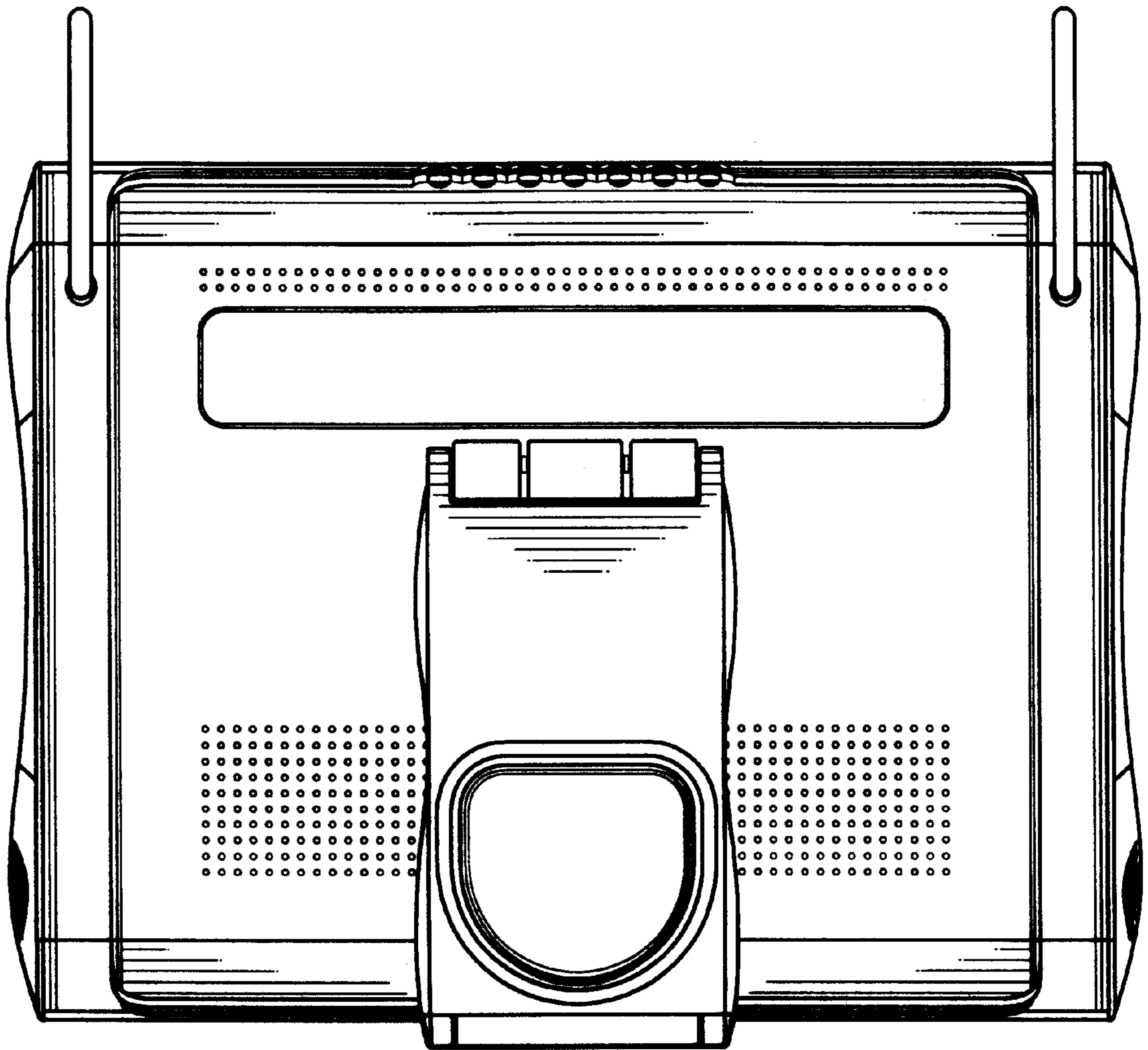


FIG. 7



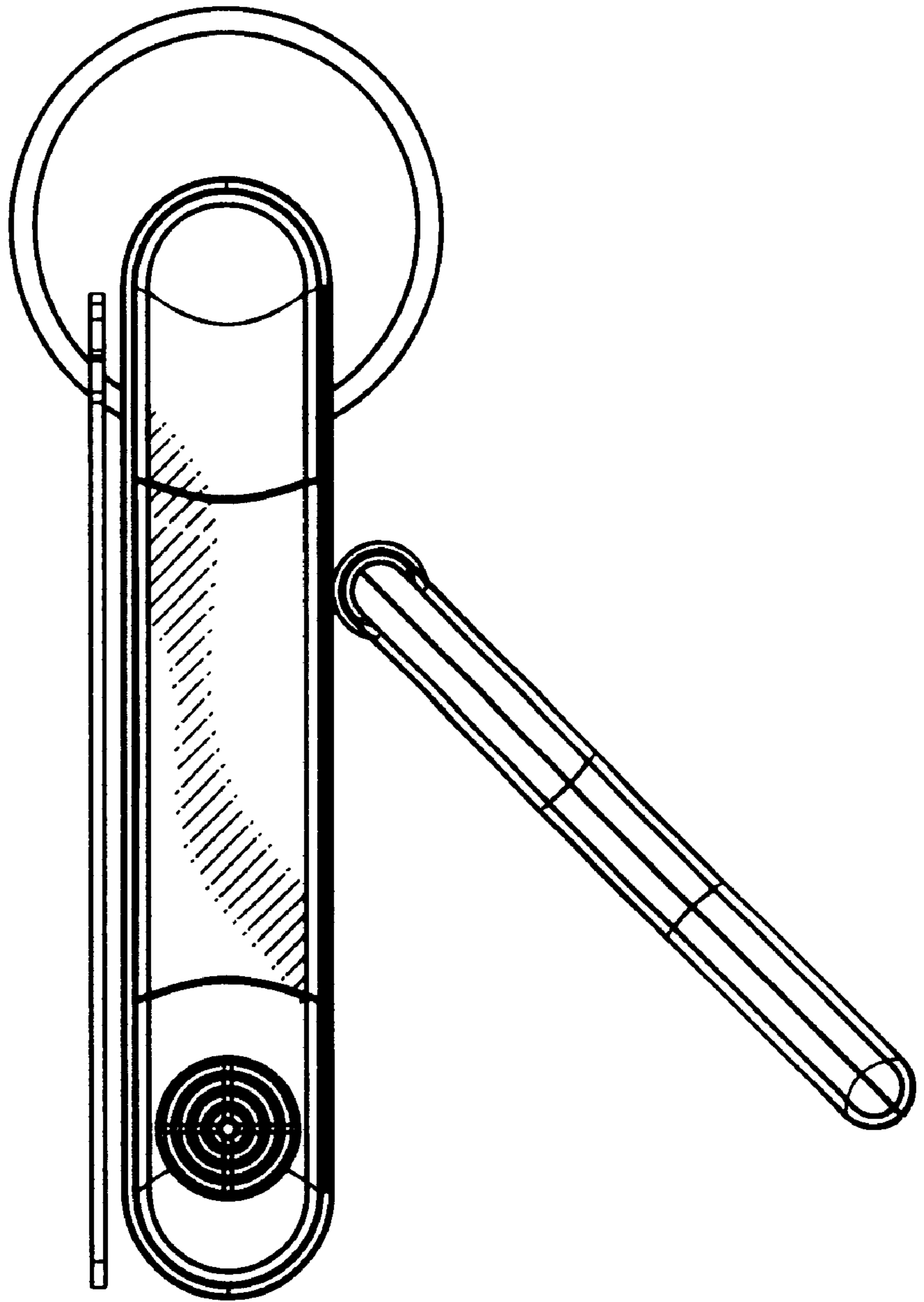


FIG. 8

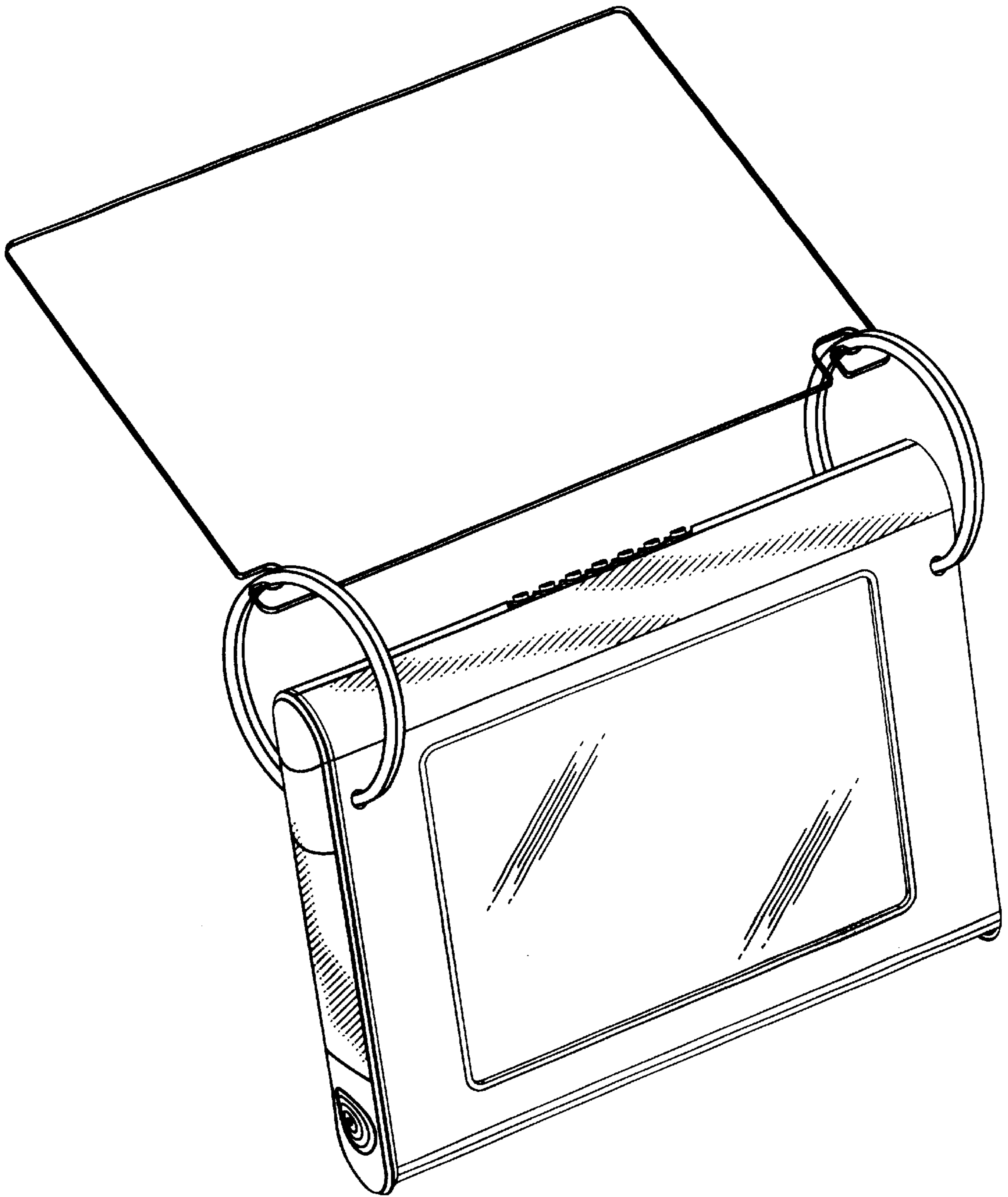


FIG. 9