



US00D47355S

(12) **United States Design Patent**  
**Chien et al.**

(10) **Patent No.:** **US D473,555 S**

(45) **Date of Patent:** **\*\* Apr. 22, 2003**

(54) **COMPUTER CASING**

D433,681 S \* 11/2000 Jean et al. .... D14/349  
D434,035 S \* 11/2000 Jean et al. .... D14/349

(75) Inventors: **Chieh-Nan Chien**, Tu-Chen (TW);  
**Yin-Sheng Yeh**, Tu-Chen (TW);  
**Fu-Ming Chen**, Tu-Chen (TW)

\* cited by examiner

(73) Assignee: **Hon Hai Precision Ind. Co., Ltd.**,  
Taipei Hsien (TW)

*Primary Examiner*—Freda Nunn  
(74) *Attorney, Agent, or Firm*—Wei Te Chung

(\*\*) Term: **14 Years**

(57) **CLAIM**

(21) Appl. No.: **29/158,002**

The ornamental design for a computer casing, as shown.

(22) Filed: **Mar. 26, 2002**

**DESCRIPTION**

(30) **Foreign Application Priority Data**

Nov. 28, 2001 (TW) ..... 90307620

(51) **LOC (7) Cl.** ..... **14-02**

(52) **U.S. Cl.** ..... **D14/349**

(58) **Field of Search** ..... D14/348–356,  
D14/361; D13/162, 184, 199; 312/223.1–223.3;  
360/99.01–99.12; 361/690–696; 369/34.01,  
36.01

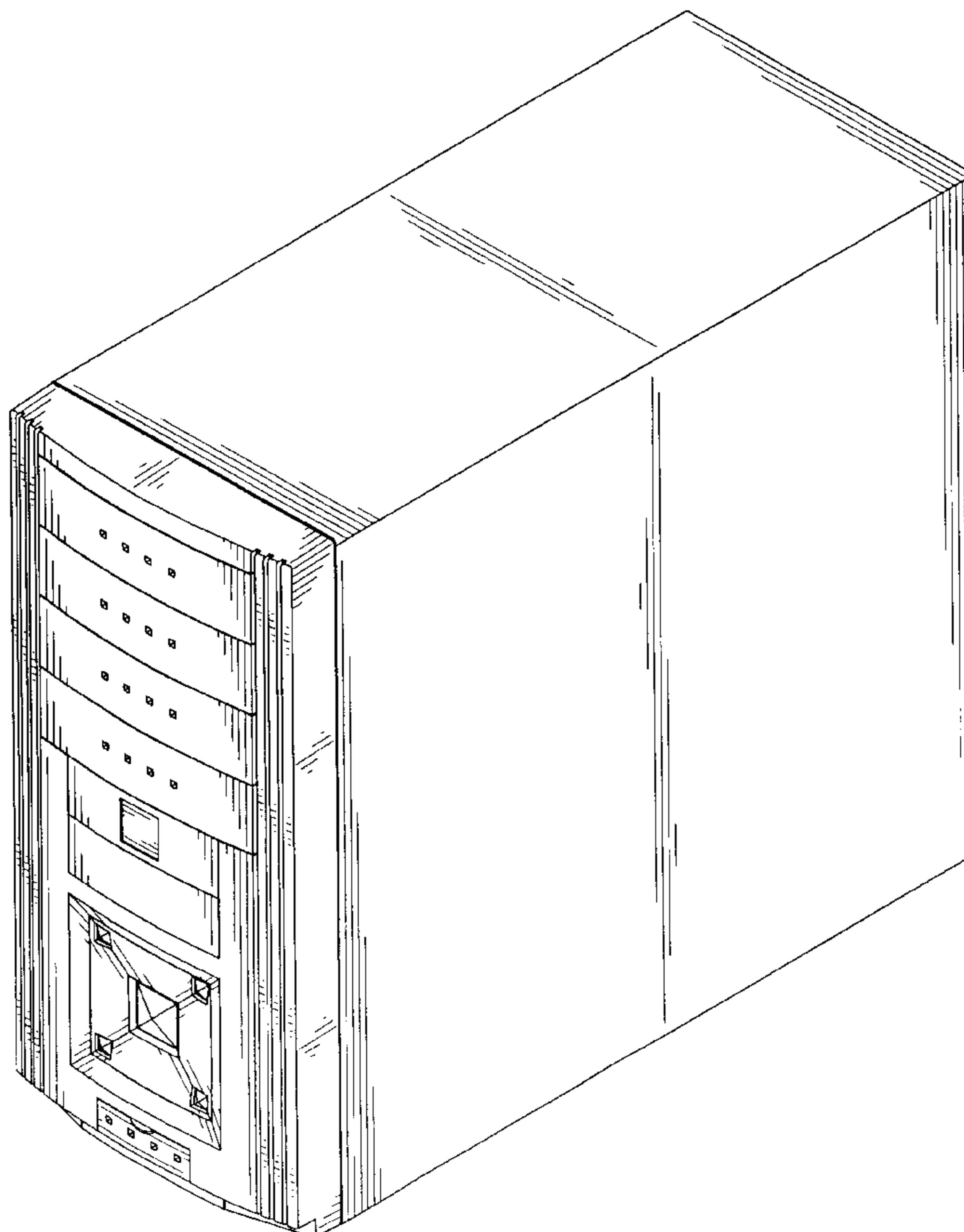
FIG. 1 is a perspective view of a computer casing of our new design;  
FIG. 2 is a front elevational view thereof;  
FIG. 3 is a rear elevational view thereof;  
FIG. 4 is a left side elevational view thereof;  
FIG. 5 is a right side elevational view thereof;  
FIG. 6 is a top plan view thereof; and,  
FIG. 7 is a bottom plan view thereof.

(56) **References Cited**

**U.S. PATENT DOCUMENTS**

D408,797 S \* 4/1999 Yeh et al. .... D14/349

**1 Claim, 7 Drawing Sheets**



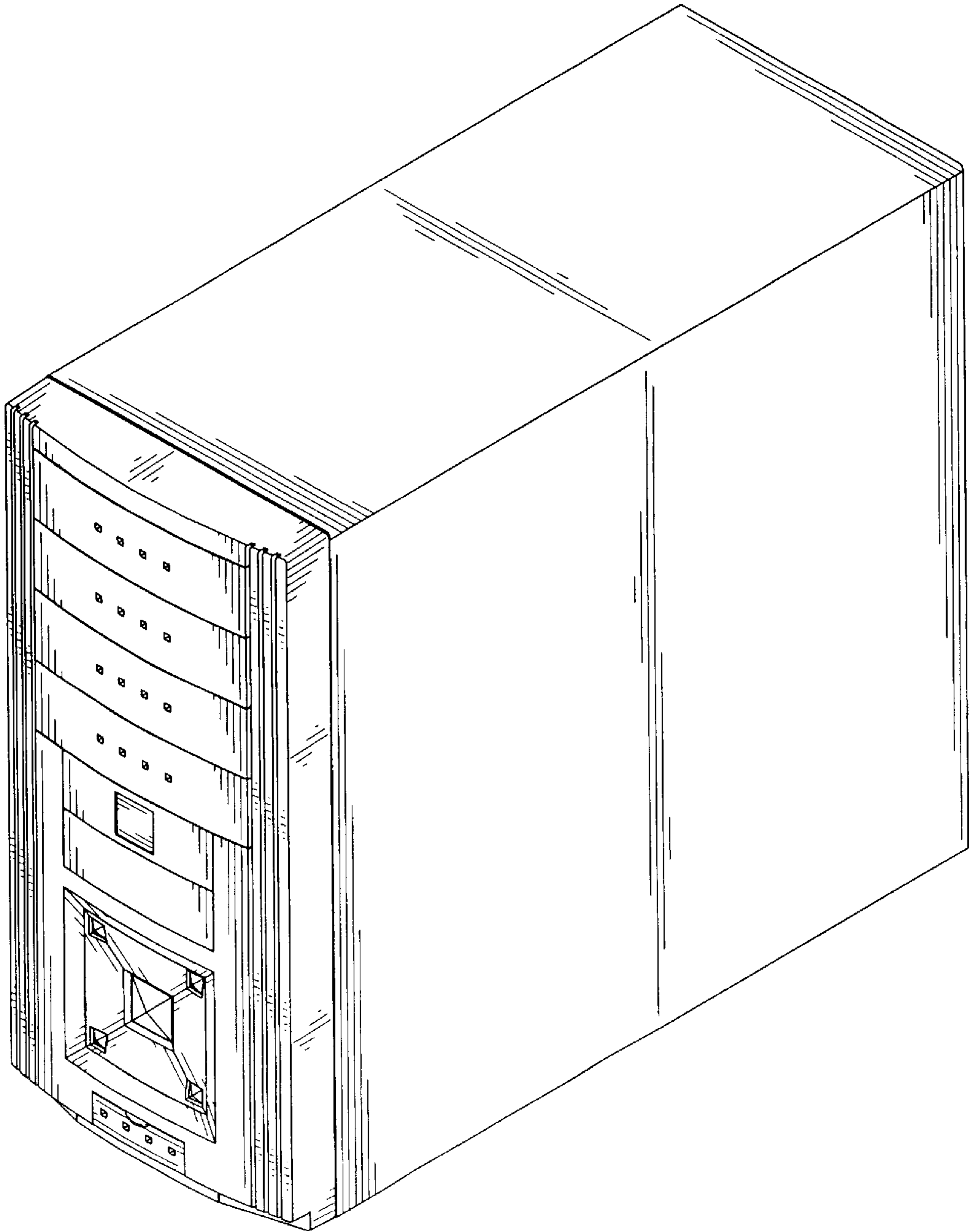


FIG. 1

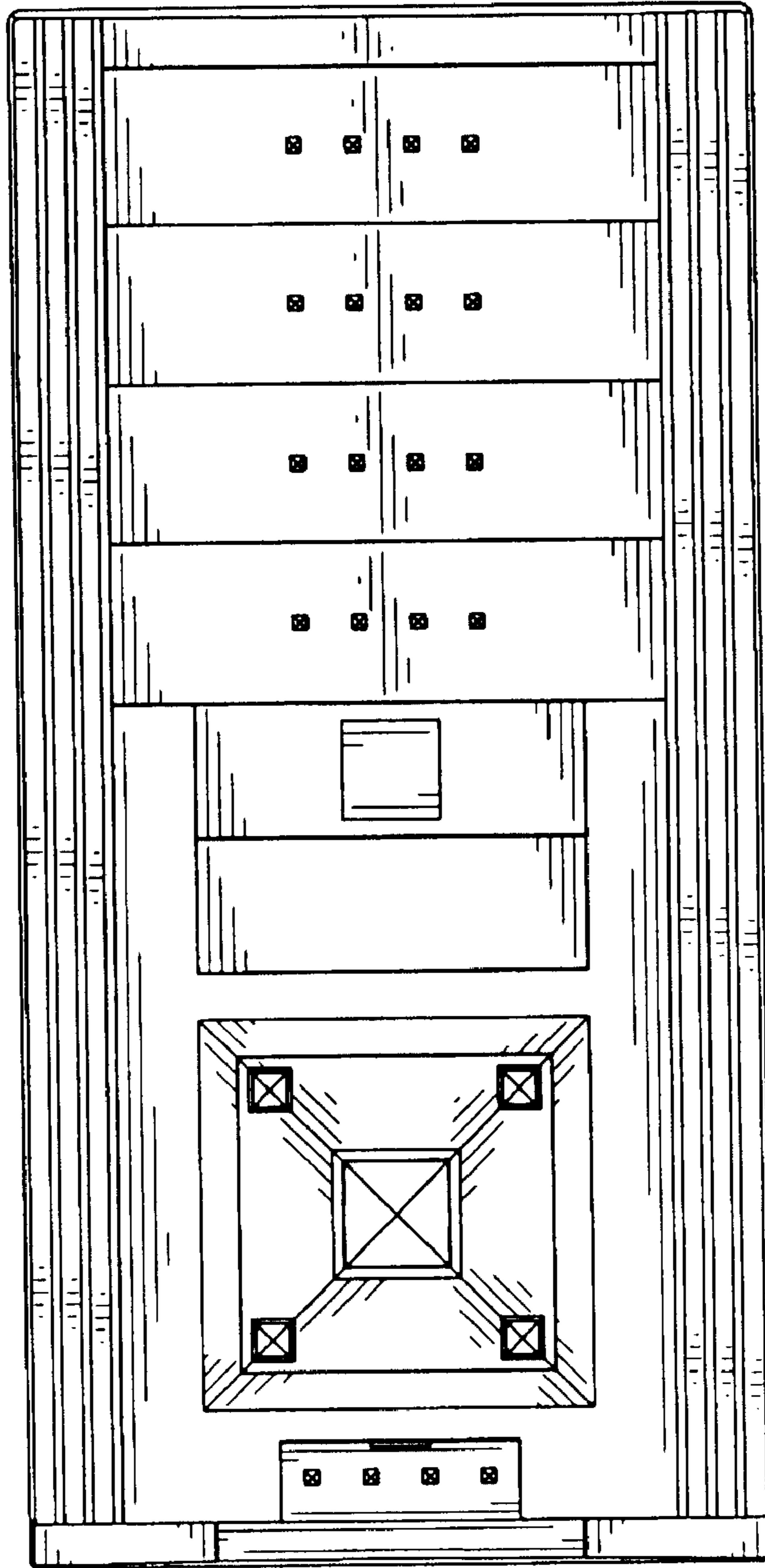


FIG. 2

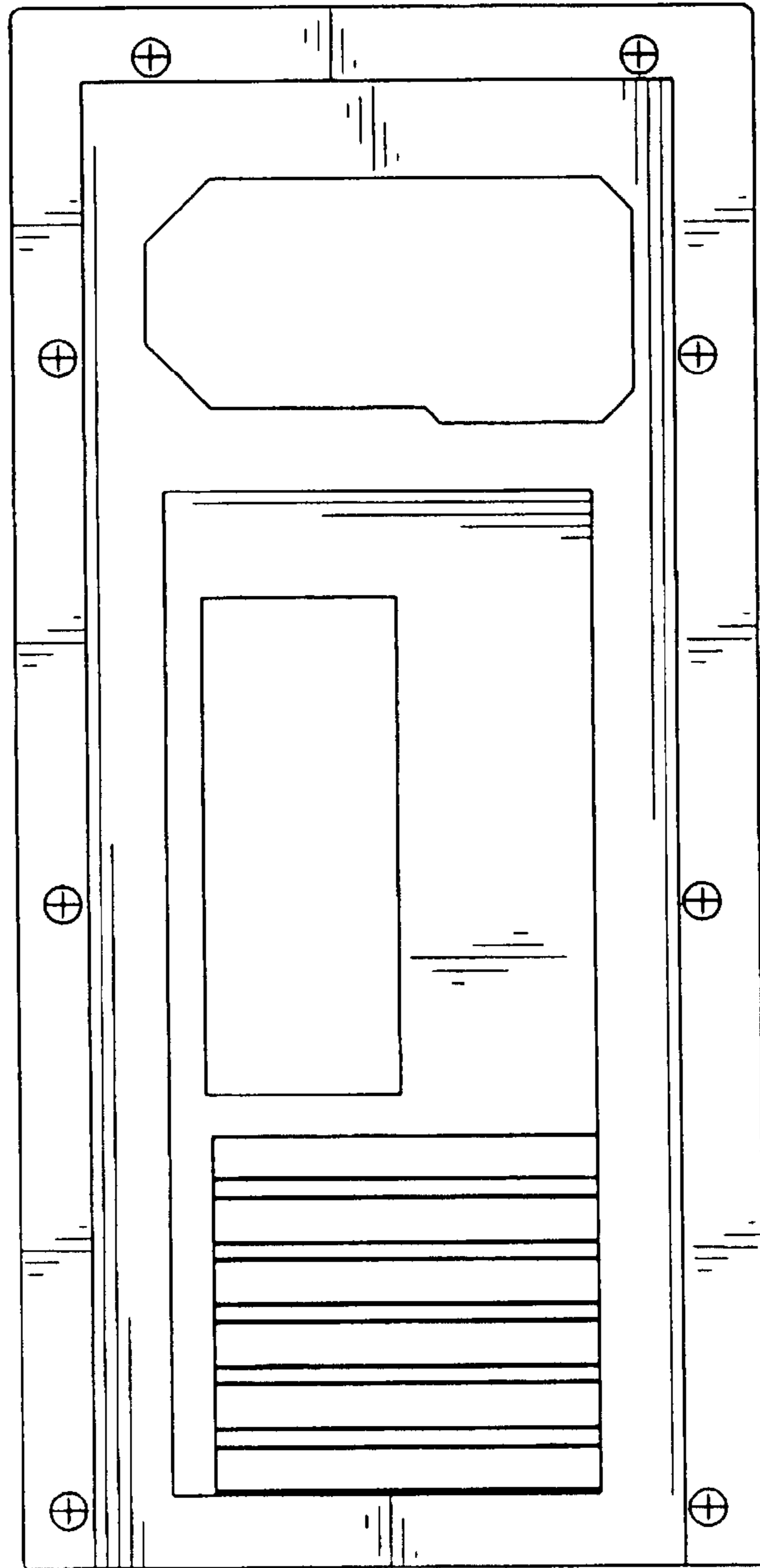


FIG. 3

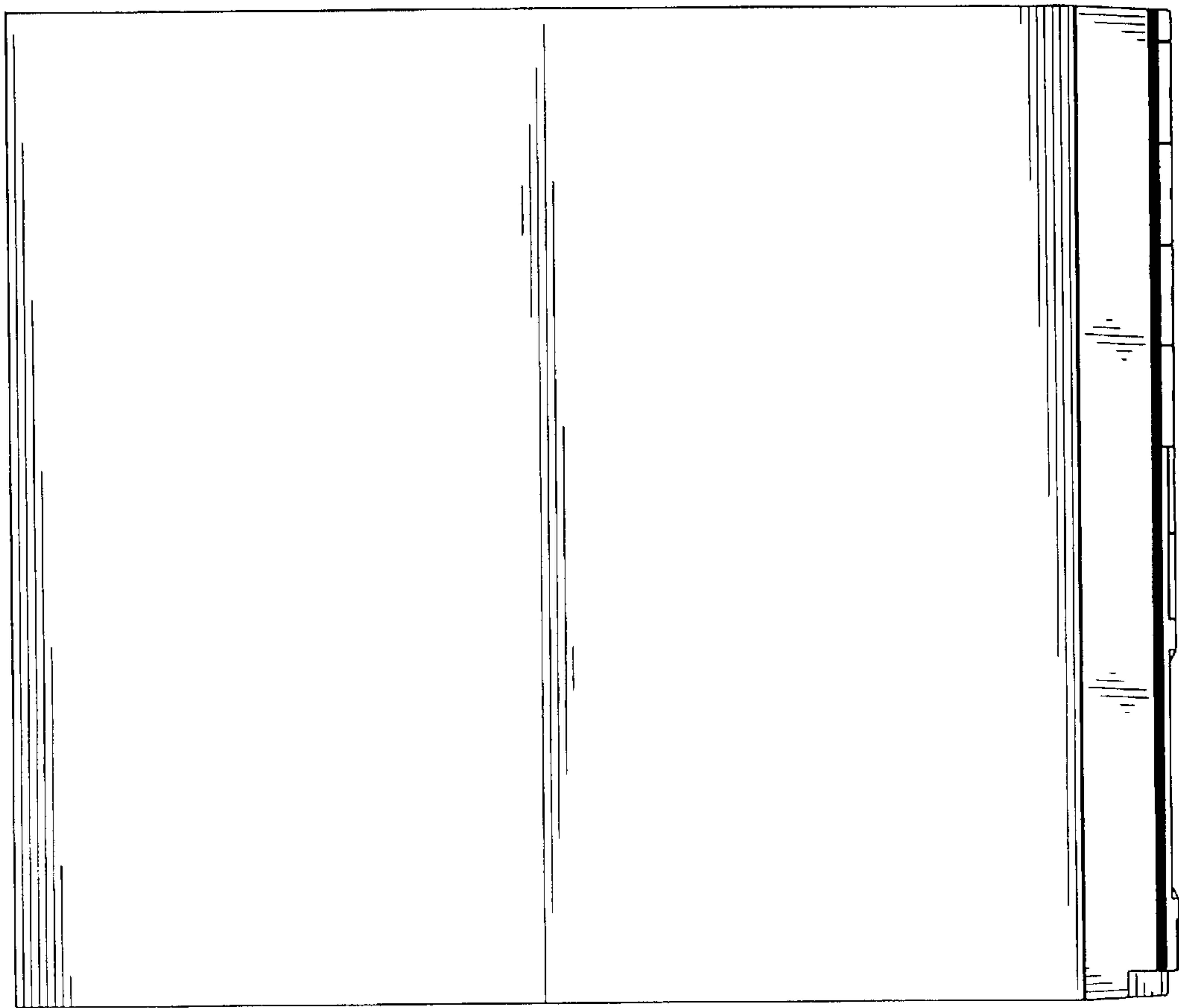


FIG. 4

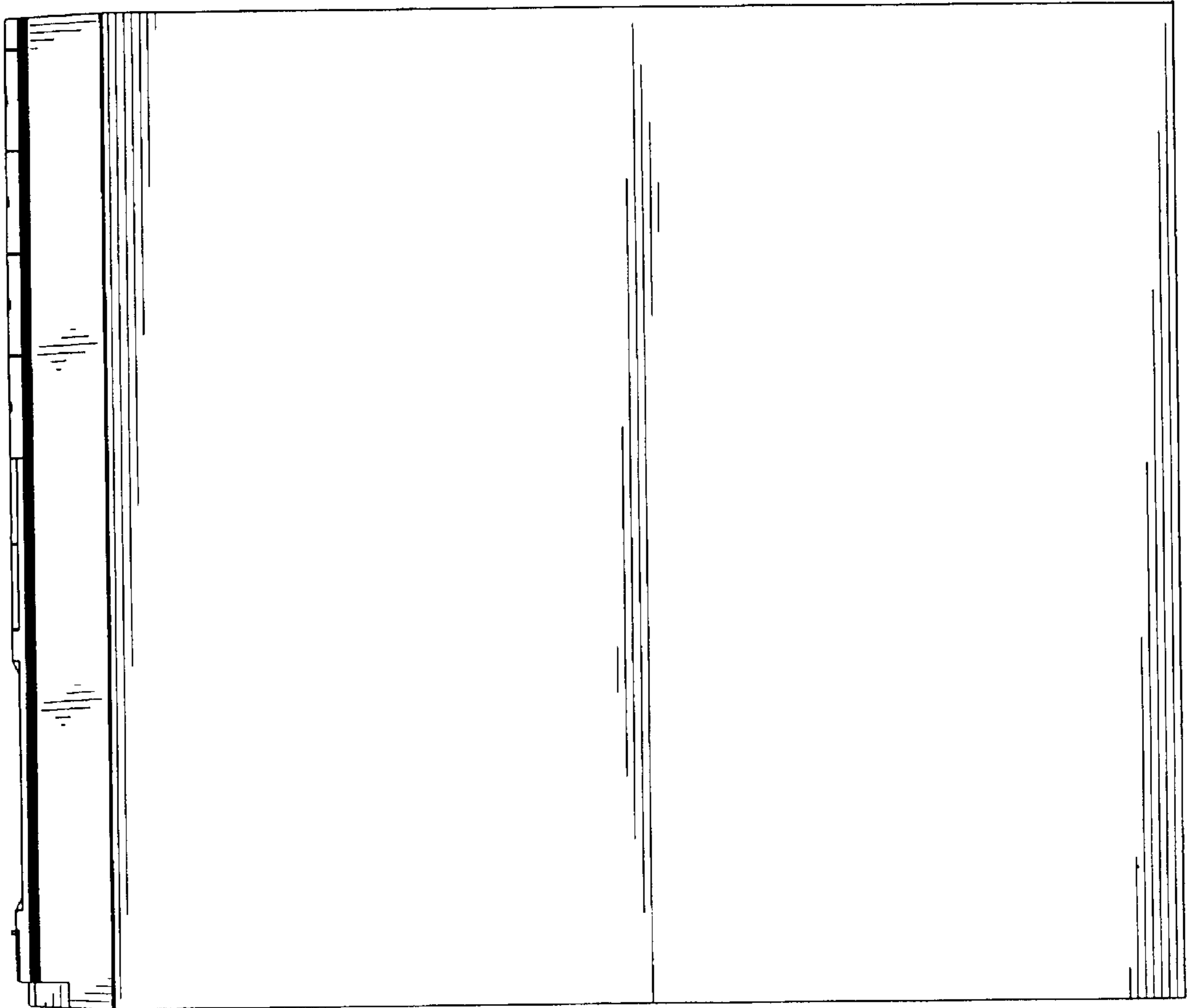


FIG. 5

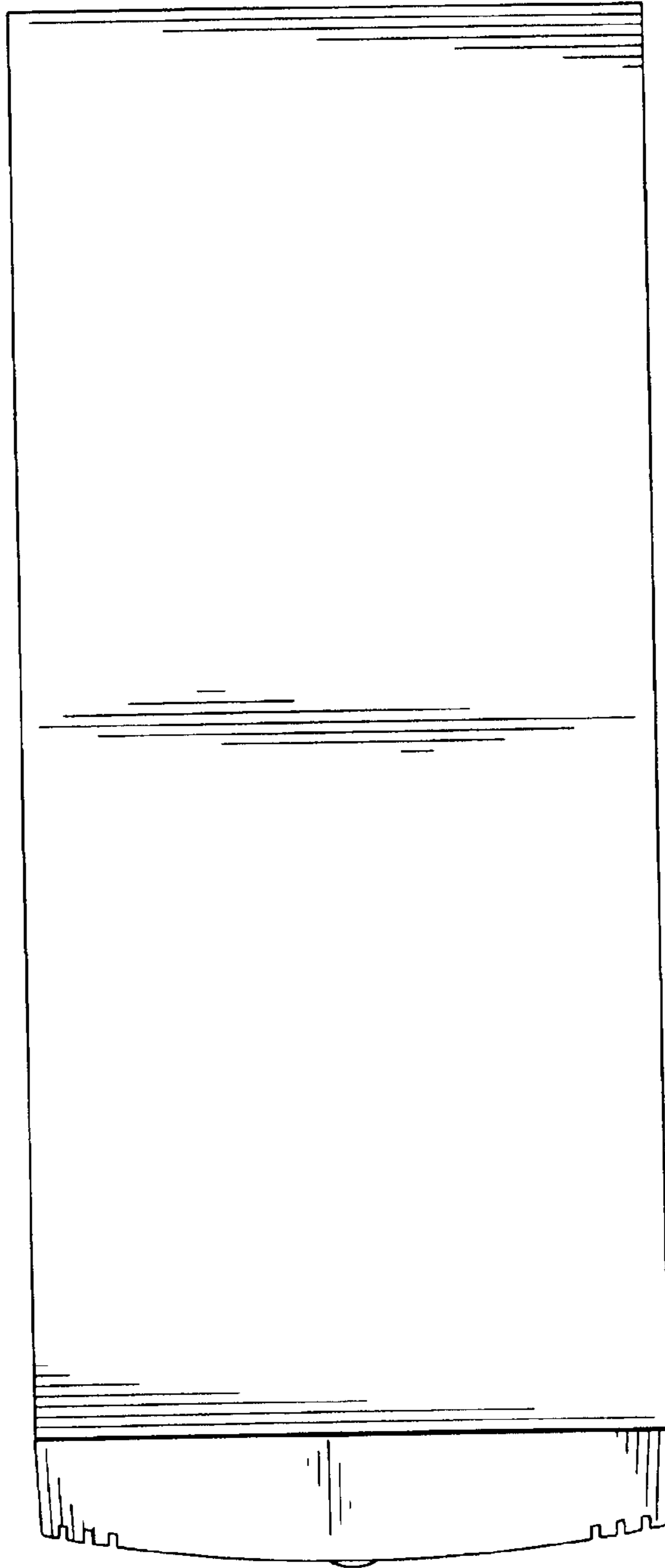


FIG. 6

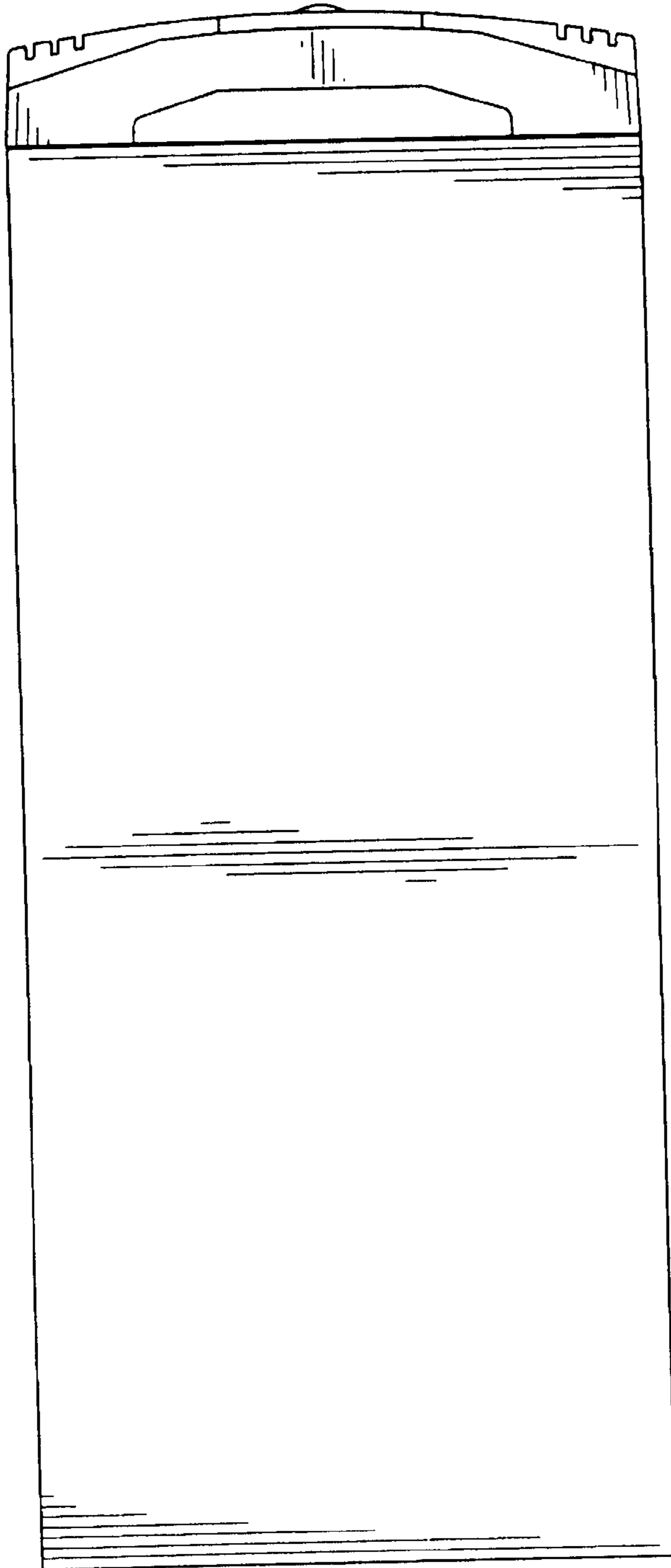


FIG. 7