



US00D473554S

(12) **United States Design Patent**
Landerholm et al.

(10) **Patent No.:** **US D473,554 S**

(45) **Date of Patent:** **** Apr. 22, 2003**

(54) **INFORMATION TERMINAL**

(75) Inventors: **John Landerholm**, Risskov (DK);
Peter Lund, Aarhus (DK)

(73) Assignee: **Ceboline Danmark ApS**, Silkeborg
(DK)

(**) Term: **14 Years**

(21) Appl. No.: **29/146,682**

(22) Filed: **Aug. 13, 2001**

(30) **Foreign Application Priority Data**

Feb. 12, 2001 (DK) MA 2001 00173

(51) **LOC (7) Cl.** **14-02**

(52) **U.S. Cl.** **D14/302**

(58) **Field of Search** D14/130, 146,
D14/302, 305, 374, 900; D13/163; D20/10;
D25/1; D99/28; 194/205, 206; 361/687

(56) **References Cited**

U.S. PATENT DOCUMENTS

- D364,382 S * 11/1995 Yamamoto D13/163
- D377,784 S * 2/1997 Wilson D14/302
- D378,082 S * 2/1997 Wilson D14/302

- D391,565 S * 3/1998 Nanjo D14/130
- D408,458 S * 4/1999 Hempel D20/10
- D417,440 S * 12/1999 Wilson D14/374
- D422,568 S * 4/2000 Brunetti D14/302
- D434,078 S * 11/2000 Matsumoto D20/10
- D436,999 S * 1/2001 Cronley D20/10

OTHER PUBLICATIONS

Rittal Interaktive Terminal-System Jan. 2001.*

* cited by examiner

Primary Examiner—Freda Nunn

(74) *Attorney, Agent, or Firm*—Pitney, Hardin, Kipp & Szuch LLP

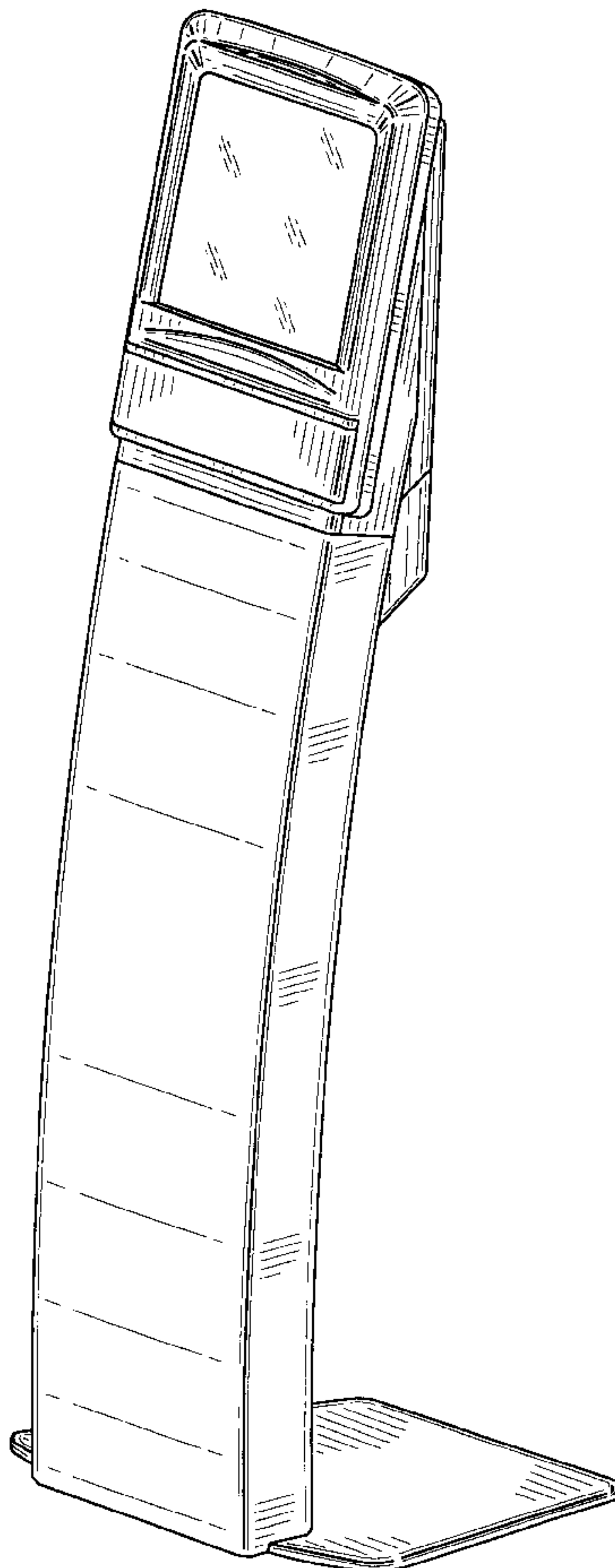
(57) **CLAIM**

The ornamental design for an information terminal, as shown and described.

DESCRIPTION

FIG. 1 is a perspective view of an information terminal in accordance with the ornamental design of the present invention depicting the front and right side thereof; and, FIG. 2 is a perspective view of the information terminal depicting the top, rear and left side thereof. The left side is identical with the right side.

1 Claim, 2 Drawing Sheets



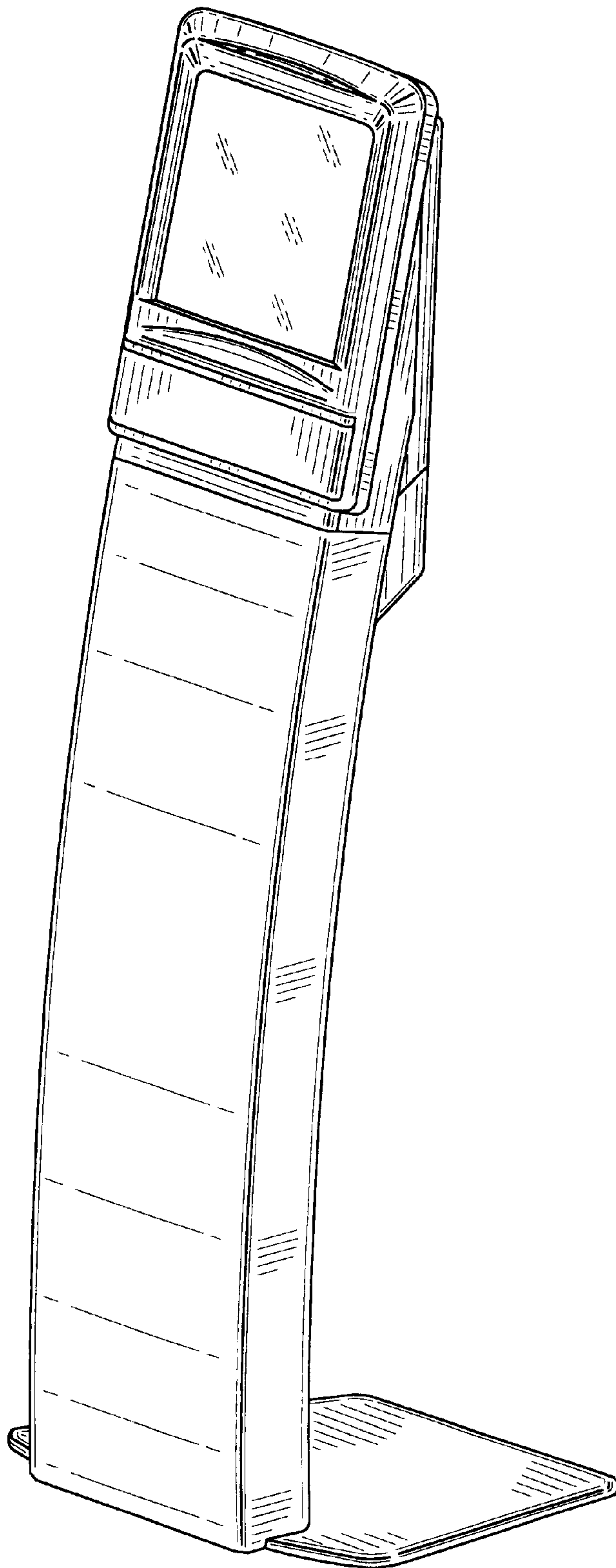


FIG. 1

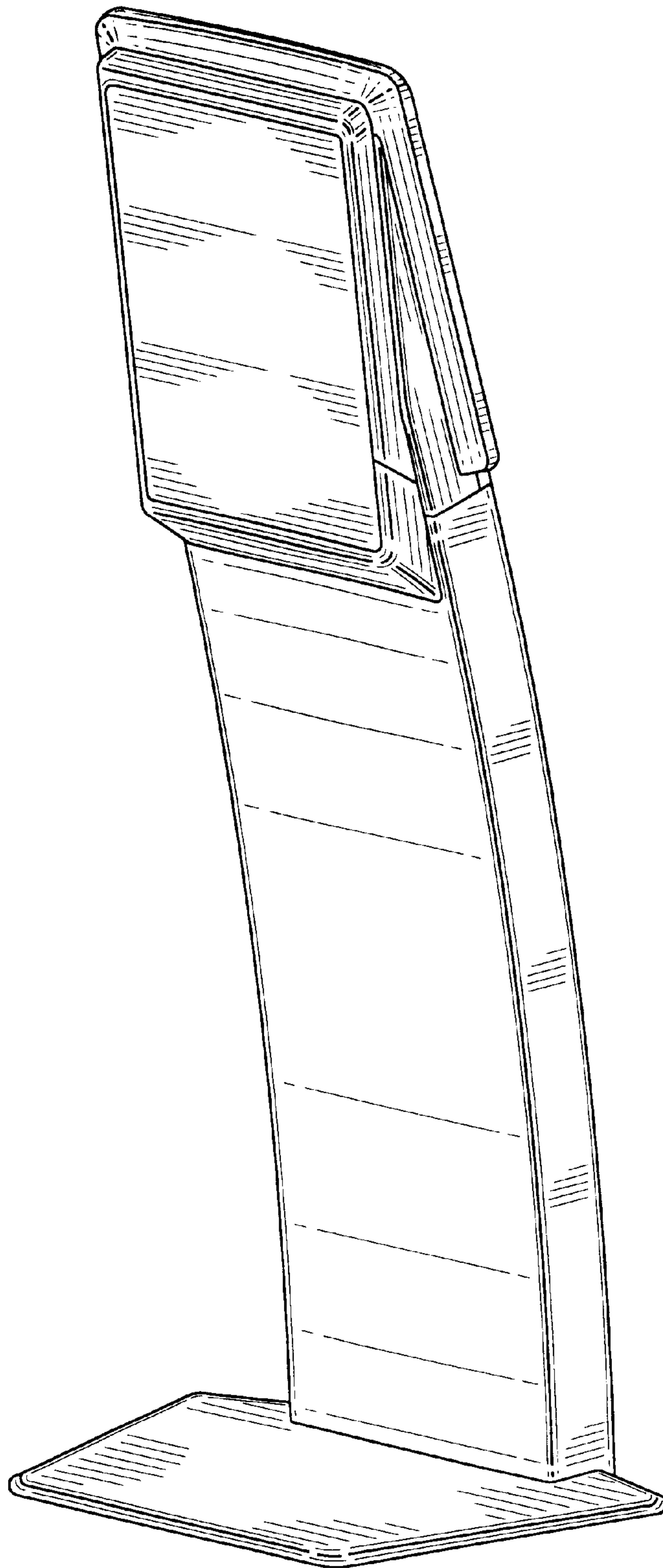


FIG. 2