



US00D473553S

(12) **United States Design Patent**  
**Powell et al.**

(10) **Patent No.: US D473,553 S**

(45) **Date of Patent: \*\* Apr. 22, 2003**

(54) **REAR PANEL OF RACK MOUNTED AUDIO EQUIPMENT**

(75) Inventors: **Mark H. Powell**, Marina del Rey, CA (US); **Etienne H. Iliffe-Moon**, Los Angeles, CA (US); **Saro Nalbandian**, Glendale, CA (US); **Daniel W. Ashcraft**, Torrance, CA (US); **David Wathen**, Los Angeles, CA (US)

(73) Assignee: **Gibson Guitar Corp.**, Nashville, TN (US)

(\*\*) Term: **14 Years**

(21) Appl. No.: **29/158,382**

(22) Filed: **Apr. 3, 2002**

(51) **LOC (7) Cl. .... 14-03**

(52) **U.S. Cl. .... D14/265**

(58) **Field of Search** ..... D14/188, 193-198,  
D14/217-224, 265, 257; 455/344, 347-353,  
90

(56) **References Cited**

**U.S. PATENT DOCUMENTS**

1,477,785 A \* 12/1923 Szukalski, Jr. .... D14/265 X  
D144,074 S \* 3/1946 Scull et al. .... D14/188

D315,160 S \* 3/1991 Azulos ..... D14/188  
5,523,531 A \* 6/1996 Ozaki ..... 455/347  
D394,858 S \* 6/1998 Wordinger et al. .... D14/188  
D416,264 S \* 11/1999 Althans et al. .... D14/217  
6,049,290 A \* 4/2000 Halstead ..... 455/344  
D443,602 S \* 6/2001 Acorrano ..... D14/194  
D445,099 S \* 7/2001 Benders ..... D14/217  
D455,728 S \* 4/2002 Kobayashi ..... D14/217  
D468,734 S \* 1/2003 Schmitt ..... D14/217

\* cited by examiner

*Primary Examiner*—Prabhakar Deshmukh

(74) *Attorney, Agent, or Firm*—Waddey & Patterson;  
Lucian Wayne Beavers

(57) **CLAIM**

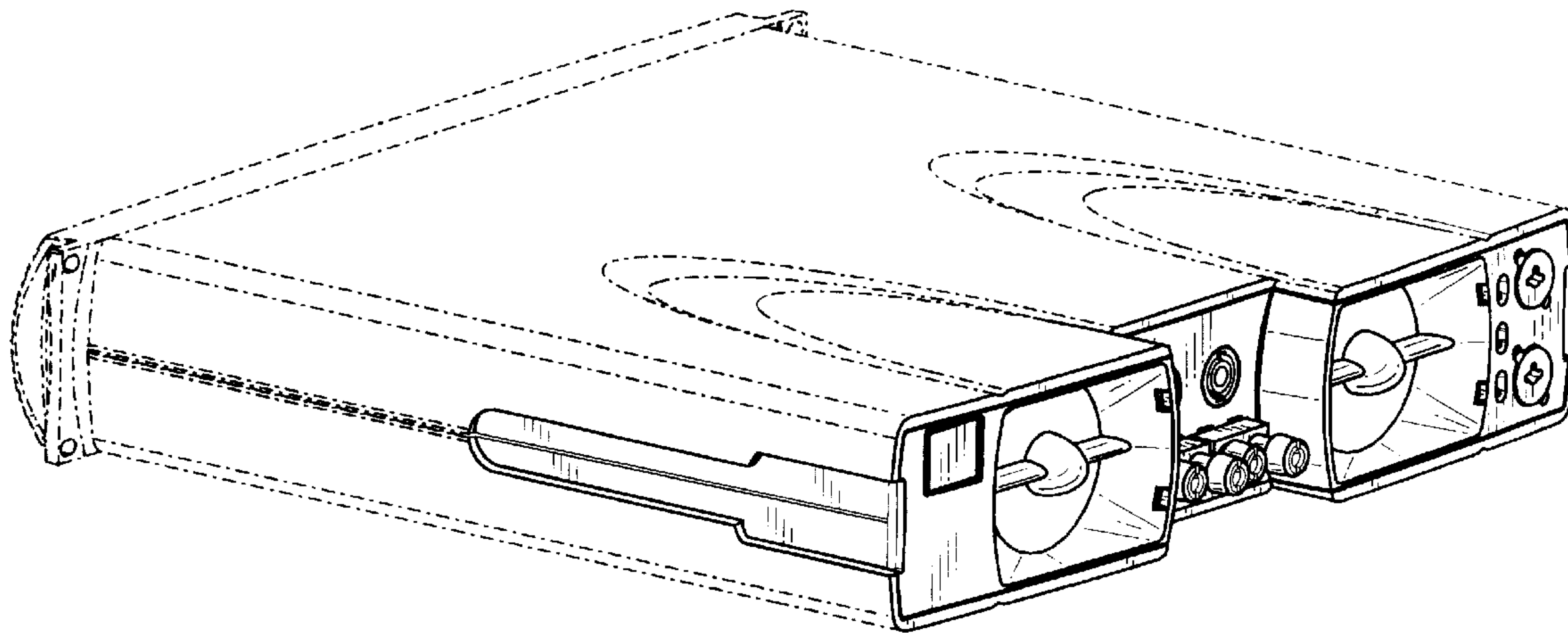
The ornamental design for a rear panel of rack mounted audio equipment, as shown and described.

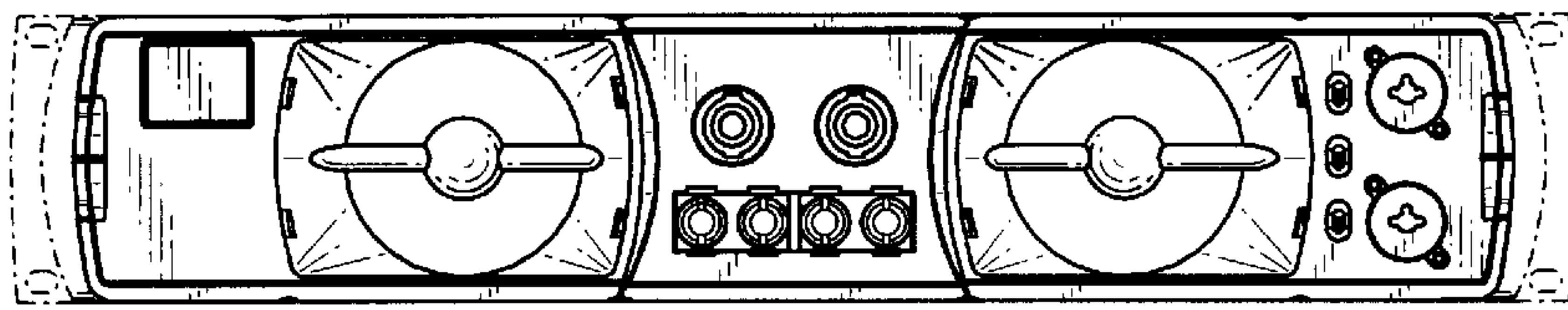
**DESCRIPTION**

FIG. 1 is a rear elevation of the rear panel of rack mounted audio equipment of Applicants' invention; and, FIG. 2 is an upper rear perspective view showing the rear panel of rack mounted audio equipment of Applicants' invention.

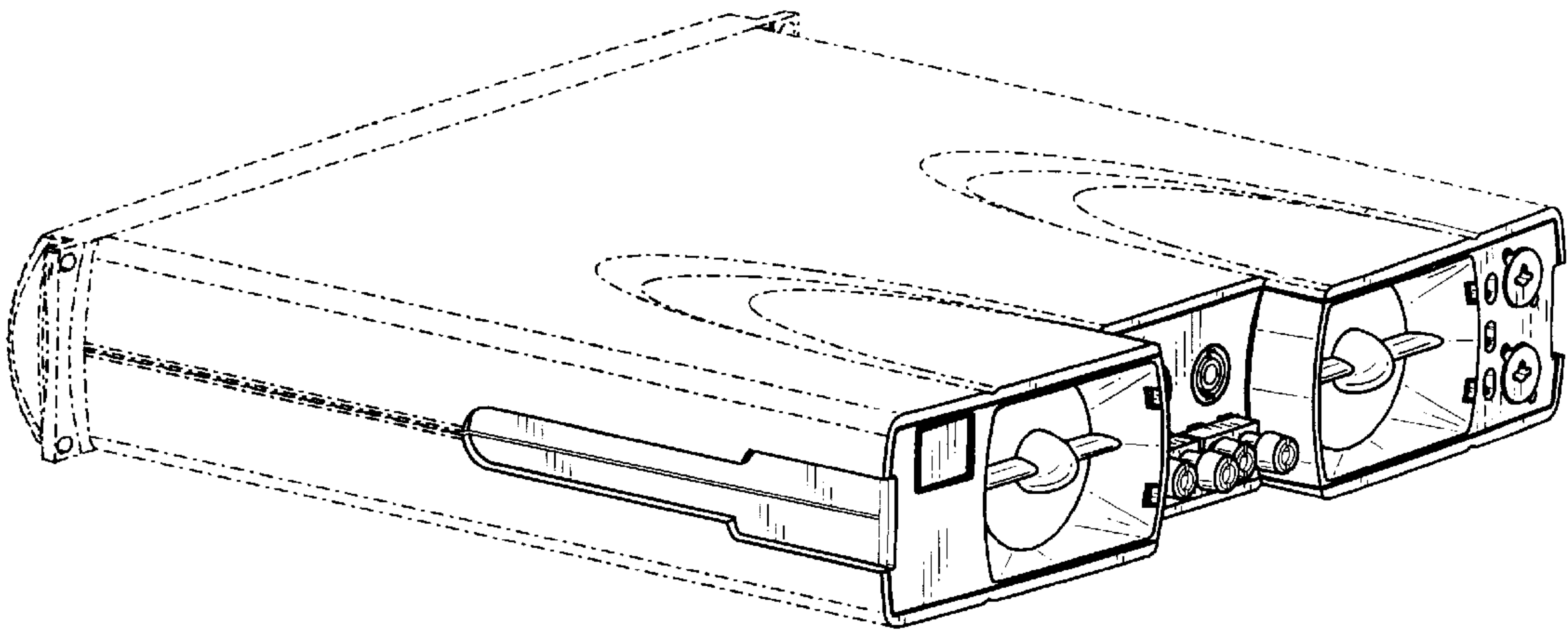
The broken lines are shown for environmental purpose only and form no part of the claimed design.

**1 Claim, 1 Drawing Sheet**





*FIG. 1*



*FIG. 2*