



US00D473550S

(12) **United States Design Patent** (10) **Patent No.:** **US D473,550 S**
Ribeiro et al. (45) **Date of Patent:** **** Apr. 22, 2003**

(54) **HOUSING FOR A COMMUNICATION DEVICE OR SIMILAR ARTICLES**

(75) Inventors: **Claudio S. Ribeiro**, Evanston, IL (US); **Christopher Arnholt**, Highland Park, IL (US); **Paul Pierce**, Grayslake, IL (US); **Daniel Berg**, Antioch, IL (US)

(73) Assignee: **Motorola Inc.**, Schaumburg, IL (US)

(**) Term: **14 Years**

(21) Appl. No.: **29/155,358**

(22) Filed: **Feb. 5, 2002**

(51) **LOC (7) Cl.** **14-03**

(52) **U.S. Cl.** **D14/247**

(58) **Field of Search** D14/137, 138, D14/218, 147-148, 247-249, 144, 455, 456, 341-347, 338-340, 399, 426, 387, 429, 453; 379/433.01-433.13, 434, 419, 420.01-420.04, 428.01-428.02, 440, 368-370; 455/550-575, 90; D13/168; D18/2, 7

(56) **References Cited**

U.S. PATENT DOCUMENTS

D341,829 S	*	11/1993	Baur	D14/138
D375,732 S	*	11/1996	Lindeman et al.	D14/138
D377,351 S	*	1/1997	Toki et al.	D14/138
5,717,753 A	*	2/1998	Birmanns	379/419
D408,032 S	*	4/1999	Nagano et al.	D14/138
D416,016 S	*	11/1999	Hughes et al.	D14/147
D416,252 S	*	11/1999	Haase et al.	D14/137
D424,556 S	*	5/2000	Meyer	D14/138

D426,531 S	*	6/2000	Chikaraishi et al.	D14/138
D431,819 S	*	10/2000	Nakahara et al.	D14/247
D434,754 S	*	12/2000	Banryu	D14/248
D440,955 S	*	4/2001	Tanaka et al.	D14/138
D448,757 S	*	10/2001	Okubo	D14/218
D456,794 S	*	5/2002	Laverick et al.	D14/138
D458,595 S	*	6/2002	Yin et al.	D14/138
D459,327 S	*	6/2002	Ali	D14/138
D459,329 S	*	6/2002	Suzuki et al.	D14/138
2002/0006809 A1	*	1/2002	Kubo et al.	455/550
2002/0009192 A1	*	1/2002	Nakamura	379/433.01
2002/0081997 A1	*	6/2002	Morishima	455/566

FOREIGN PATENT DOCUMENTS

JP 1086844 * 10/2000

* cited by examiner

Primary Examiner—Jeffrey Asch

(74) *Attorney, Agent, or Firm*—Roland K. Bowler, II

(57) **CLAIM**

The ornamental design for a housing for a communication device and similar articles, substantially as shown.

DESCRIPTION

FIG. 1 is a perspective view of an ornamental design of a housing for communication device and similar articles.

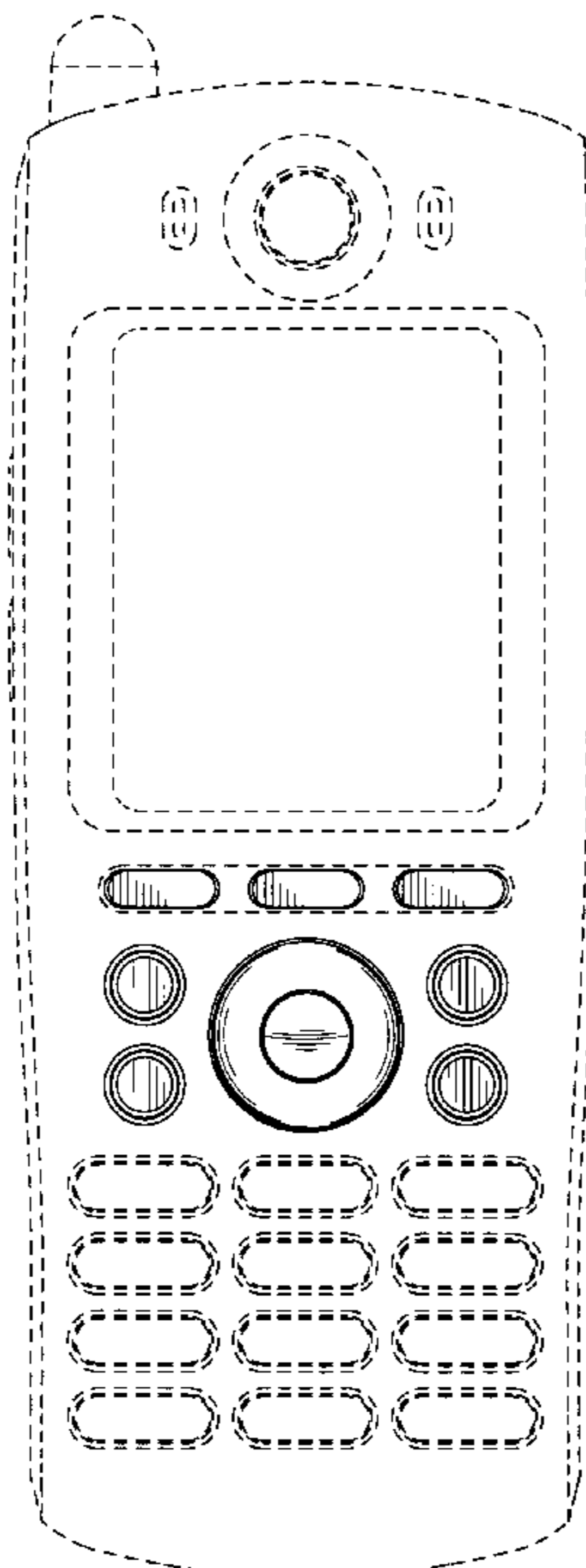
FIG. 2 is a side view thereof.

FIG. 3 is a front view thereof; and,

FIG. 4 is a bottom view thereof.

The broken line portions of the drawings form no part of the claimed design or a specified embodiment thereof.

1 Claim, 2 Drawing Sheets



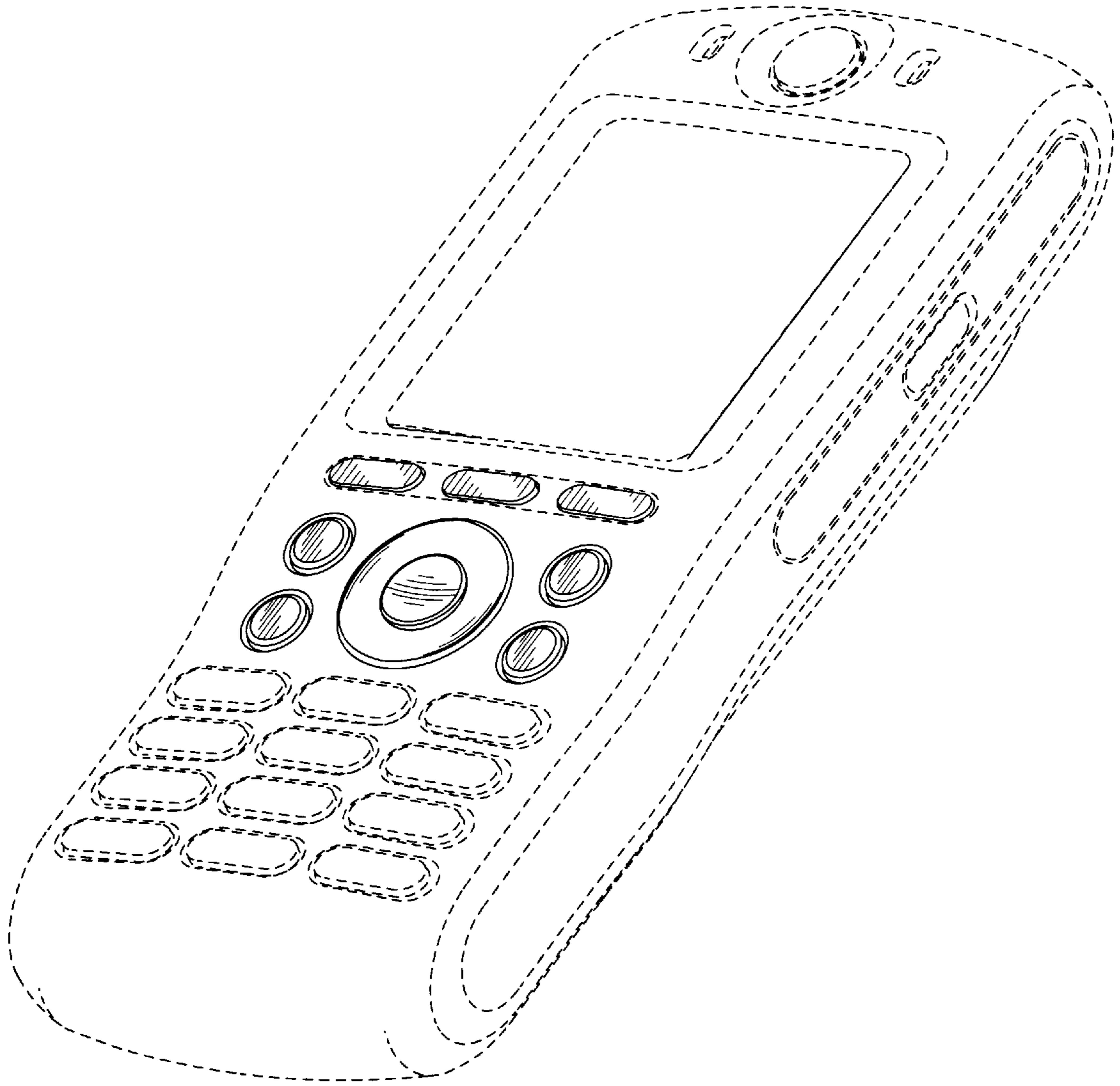


FIG. 1

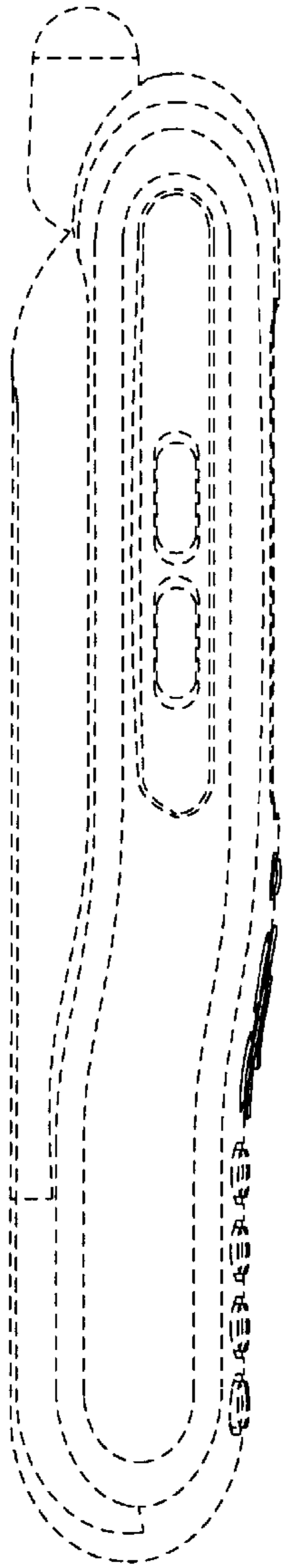


FIG. 2

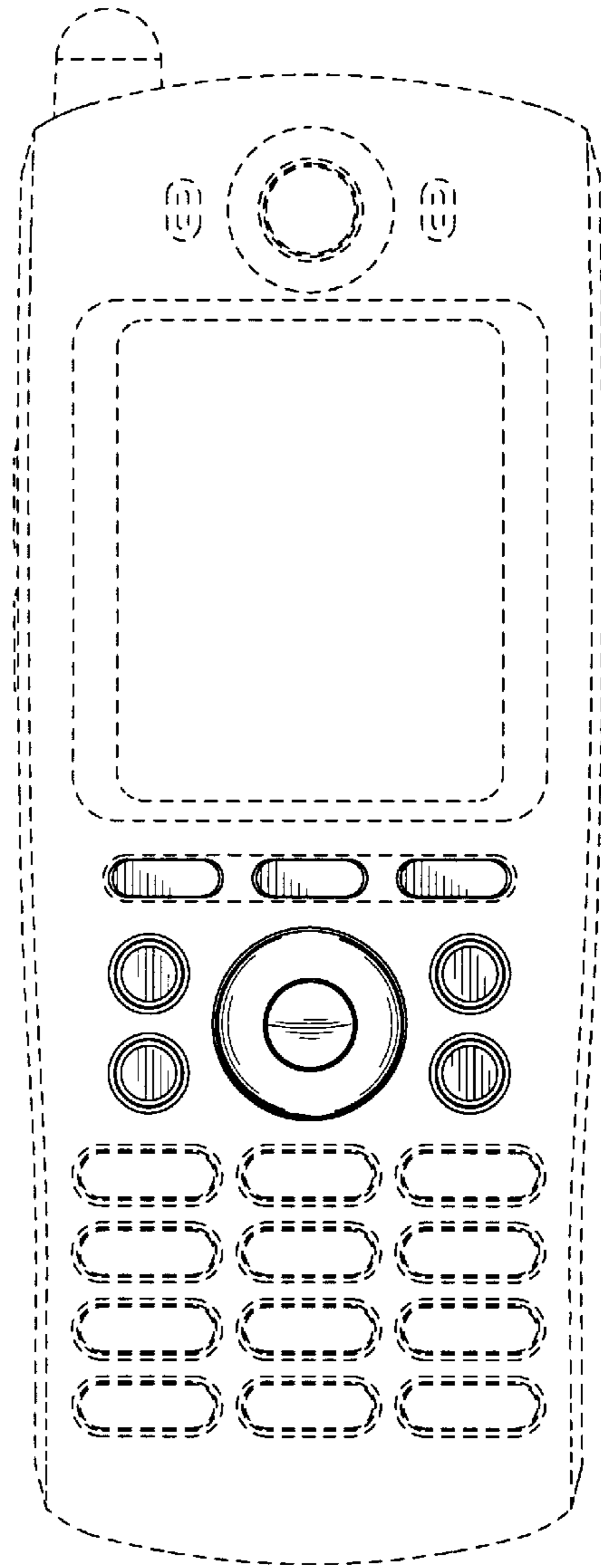


FIG. 3

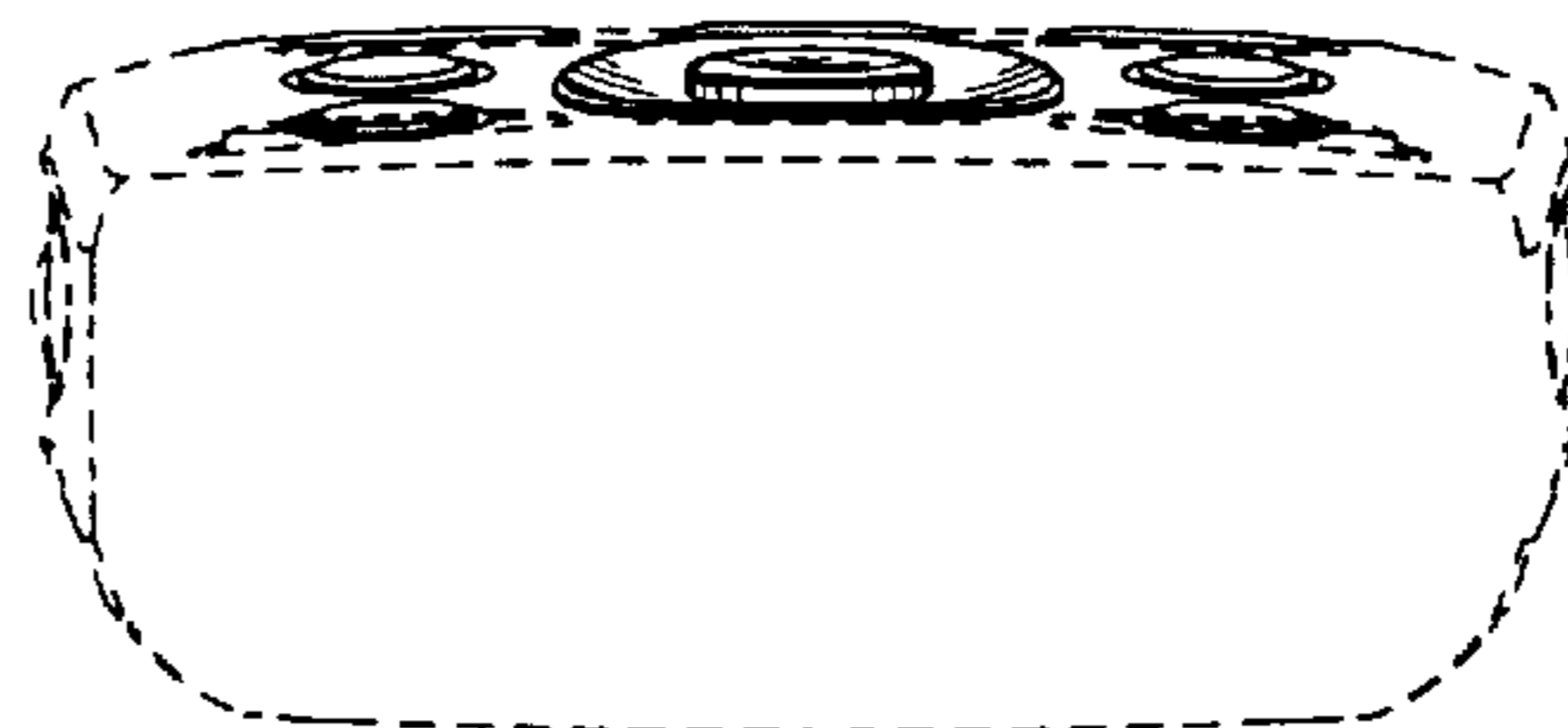


FIG. 4