



US00D473549S

(12) **United States Design Patent**
Nishi

(10) **Patent No.:** **US D473,549 S**

(45) **Date of Patent:** **** Apr. 22, 2003**

(54) **MODEM FOR DATA TRANSFER**
(75) Inventor: **Joji Nishi**, Tokorozawa (JP)
(73) Assignee: **Kabushiki Kaisha Toshiba**, Tokyo (JP)
(**) Term: **14 Years**

(21) Appl. No.: **29/162,719**
(22) Filed: **Jun. 21, 2002**

(30) **Foreign Application Priority Data**
Jan. 28, 2002 (JP) 2002-001784

(51) **LOC (7) Cl.** **14-03**
(52) **U.S. Cl.** **D14/242**
(58) **Field of Search** D14/137, 240,
D14/138, 242, 356, 357, 358, 241, 243,
245, 144, 370, 341-347, 125, 432-438,
155, 299, 257, 439, 140, 188, 230; 379/433.01-433.13,
419, 434, 93.01, 93.28, 428.01-428.04,
420.01-420.04, 440, 441, 442; 455/550-575,
90; D13/184, 123, 182, 147, 110, 164;
361/600, 622, 684, 724-728, 702; 375/220-225

(56) **References Cited**
U.S. PATENT DOCUMENTS
D337,995 S * 8/1993 Barbera et al. D14/352
D338,453 S * 8/1993 Martin D14/351
D339,115 S * 9/1993 Eilertsen D14/242
D365,808 S * 1/1996 Alden et al. D14/432
D366,455 S * 1/1996 Cheng D13/147
D370,211 S * 5/1996 Lee D14/349
5,697,809 A * 12/1997 Chung 439/501
D396,043 S * 7/1998 Liao D14/242
D406,849 S * 3/1999 Tanaka D14/242
D411,185 S * 6/1999 Isshiki D14/358
D413,333 S * 8/1999 Kitajima et al. D14/242
D413,894 S * 9/1999 Matthews et al. D14/240
D414,188 S * 9/1999 Matthews et al. D14/240
D417,203 S * 11/1999 Figueroa et al. D14/352

D417,223 S * 11/1999 Groves et al. D14/242
D417,453 S * 12/1999 Du D14/242
D417,864 S * 12/1999 Holtzman et al. D14/351
D431,243 S * 9/2000 Oba D14/351
D431,557 S * 10/2000 Lutz, Jr. et al. D14/242
D431,822 S * 10/2000 Armstrong et al. D14/349
D433,020 S * 10/2000 Silbermann et al. D14/356
D433,381 S * 11/2000 Talesfore D13/123
D434,411 S * 11/2000 Chen D14/301
6,259,598 B1 * 7/2001 Beaman et al. 361/683
D447,139 S * 8/2001 Mache et al. D14/351
D453,507 S * 2/2002 Probasco et al. D14/240
D454,557 S * 3/2002 Do et al. D14/242
D463,792 S * 10/2002 Stokes et al. D14/240

FOREIGN PATENT DOCUMENTS

JP 1119398 8/2001
TW 431848 4/2001

OTHER PUBLICATIONS

Soho Router Phone, Pacsia, Dec. 27, 2000.
Logitech Products Guide, SJA-31, vol. 61, Feb. 1999.

* cited by examiner

Primary Examiner—Jeffrey Asch
(74) *Attorney, Agent, or Firm*—Banner & Witcoff, Ltd.

(57) **CLAIM**

The ornamental design for a modem for data transfer, as shown and described.

DESCRIPTION

FIG. 1 is a top, front and left side perspective view of a modem for data transfer showing my new design, FIG. 2 is a front elevational view thereof, FIG. 3 is a rear elevational view thereof, FIG. 4 is a top plan view thereof, FIG. 5 is a bottom plan view thereof, FIG. 6 is a right side elevational view thereof; and, FIG. 7 is a left side elevational view thereof.

1 Claim, 4 Drawing Sheets

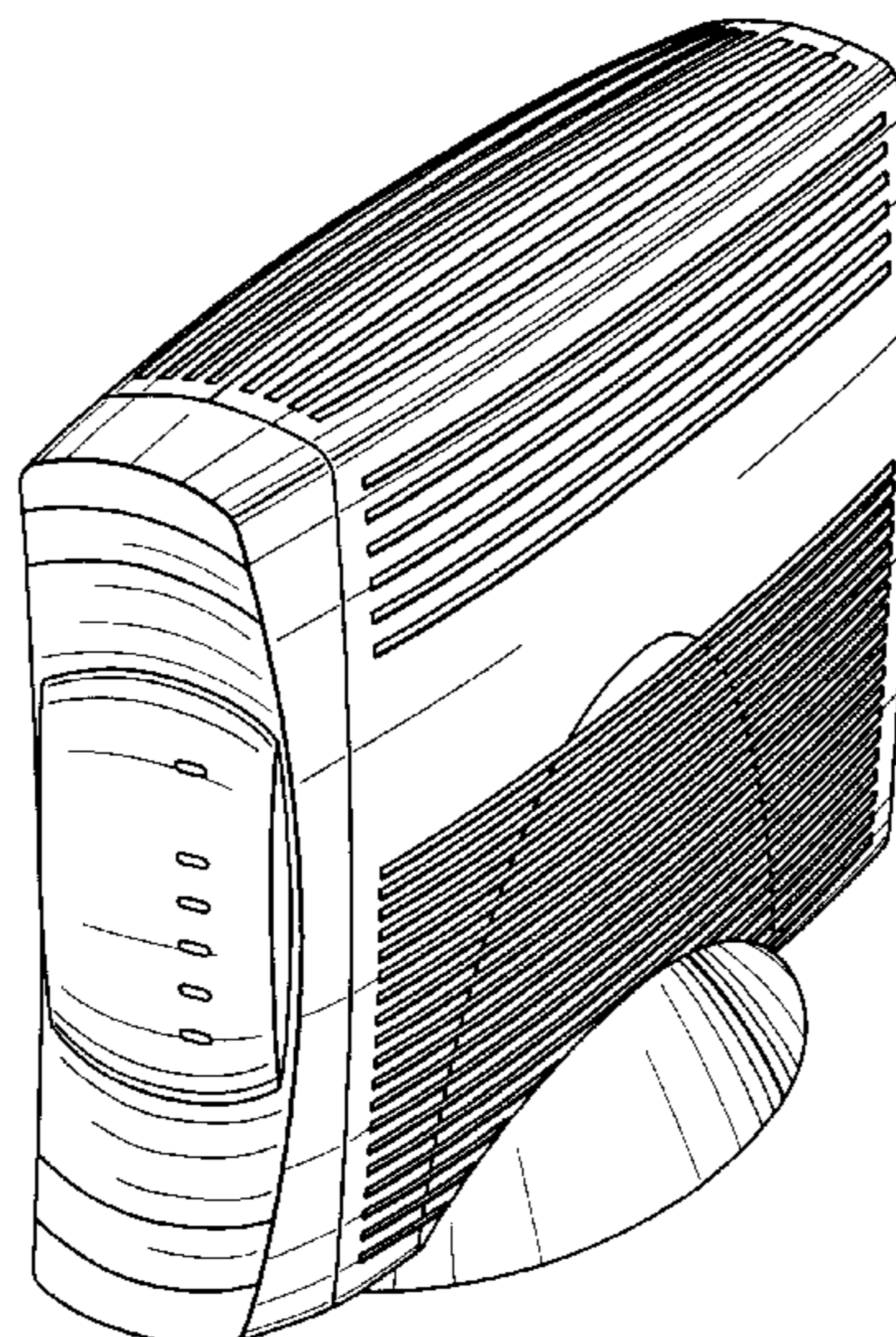


FIG. 1

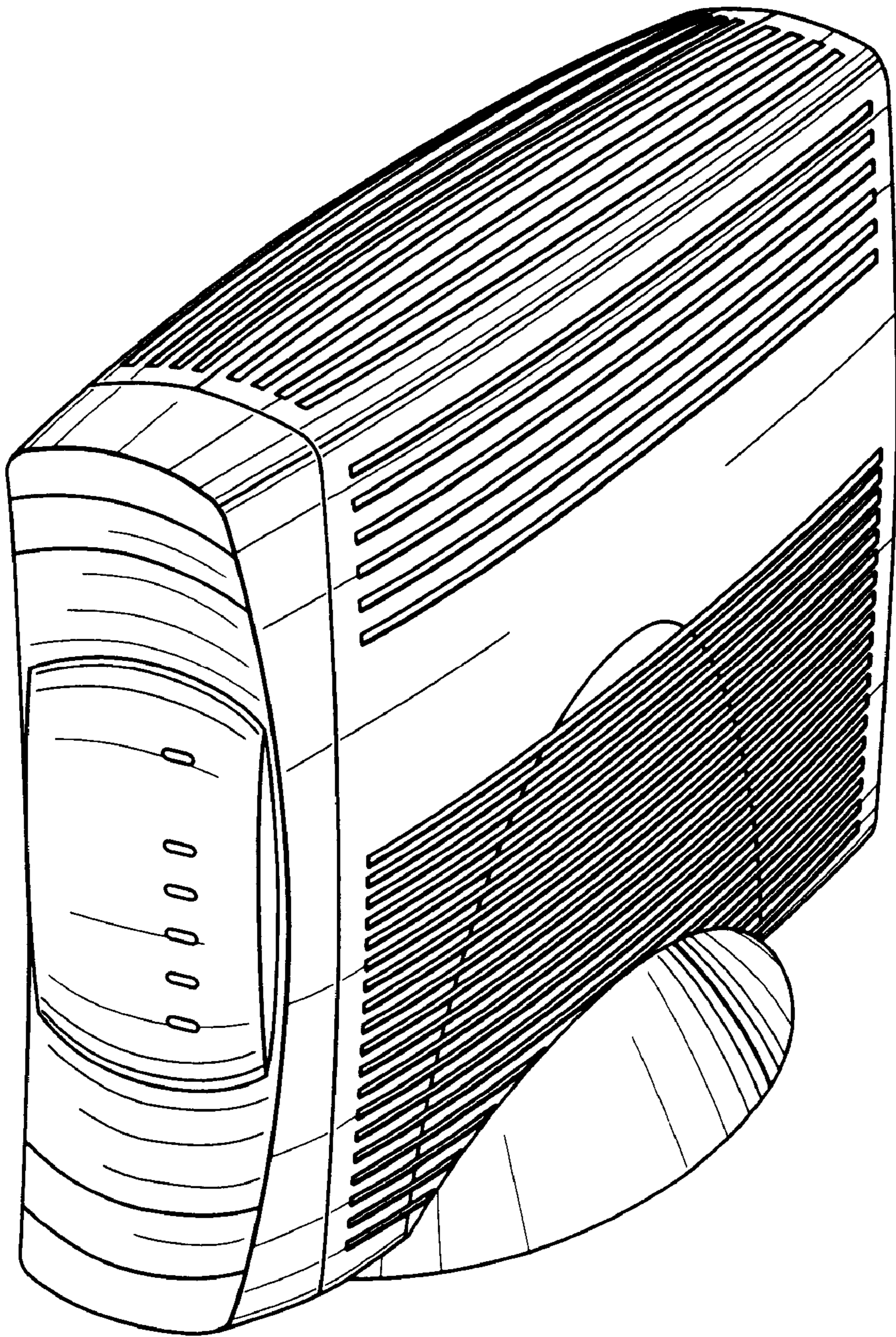


FIG. 2

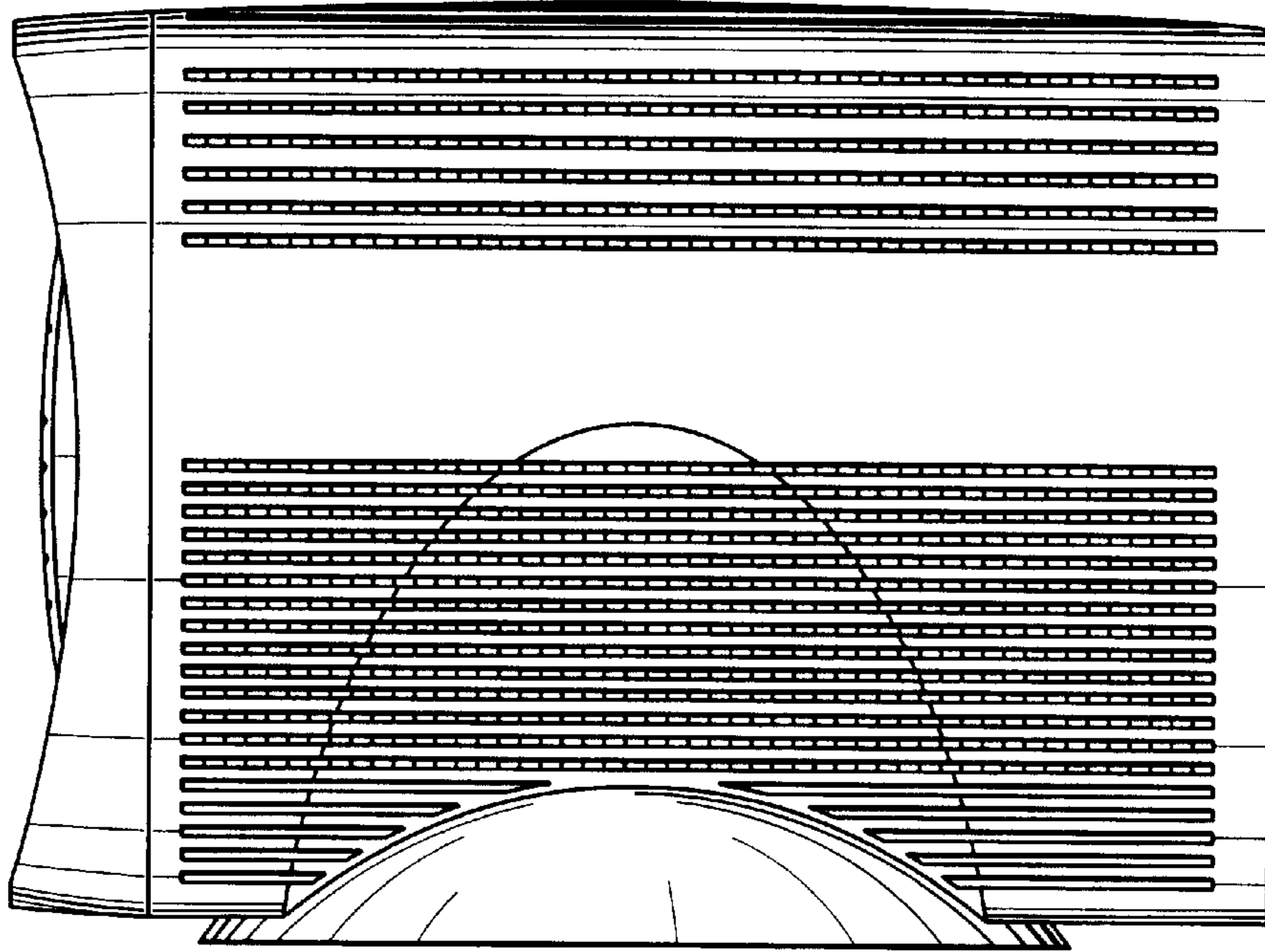


FIG. 3

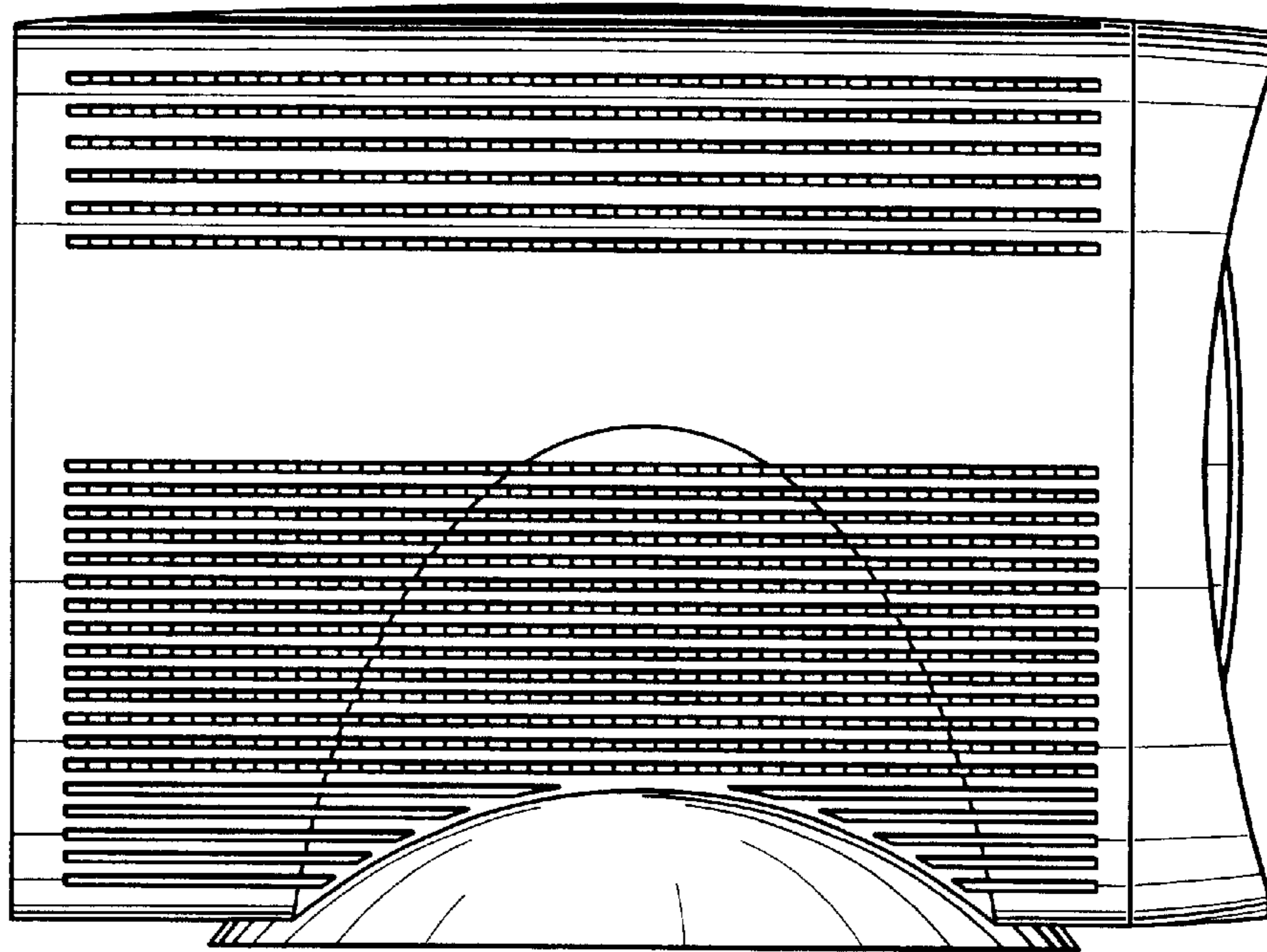


FIG. 4

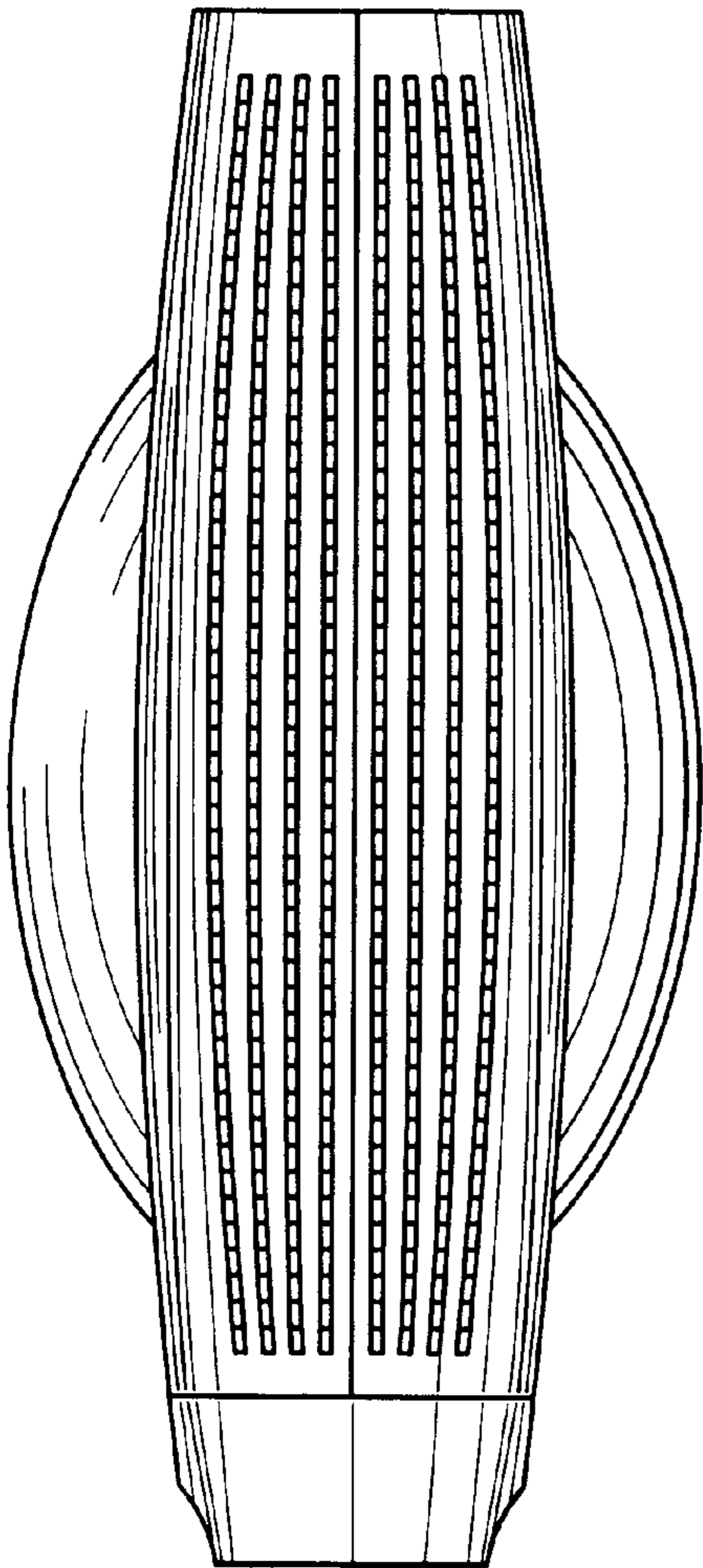


FIG. 5

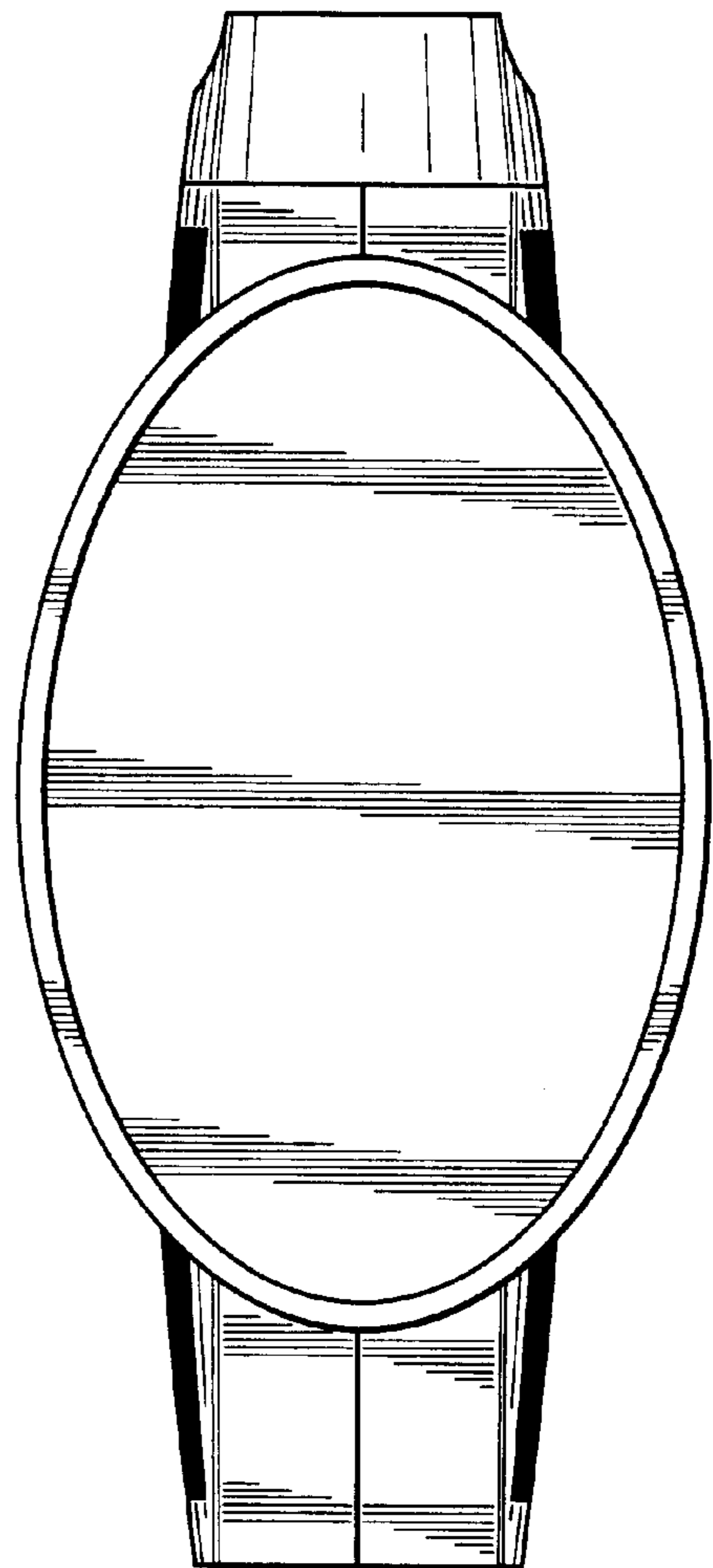


FIG. 6

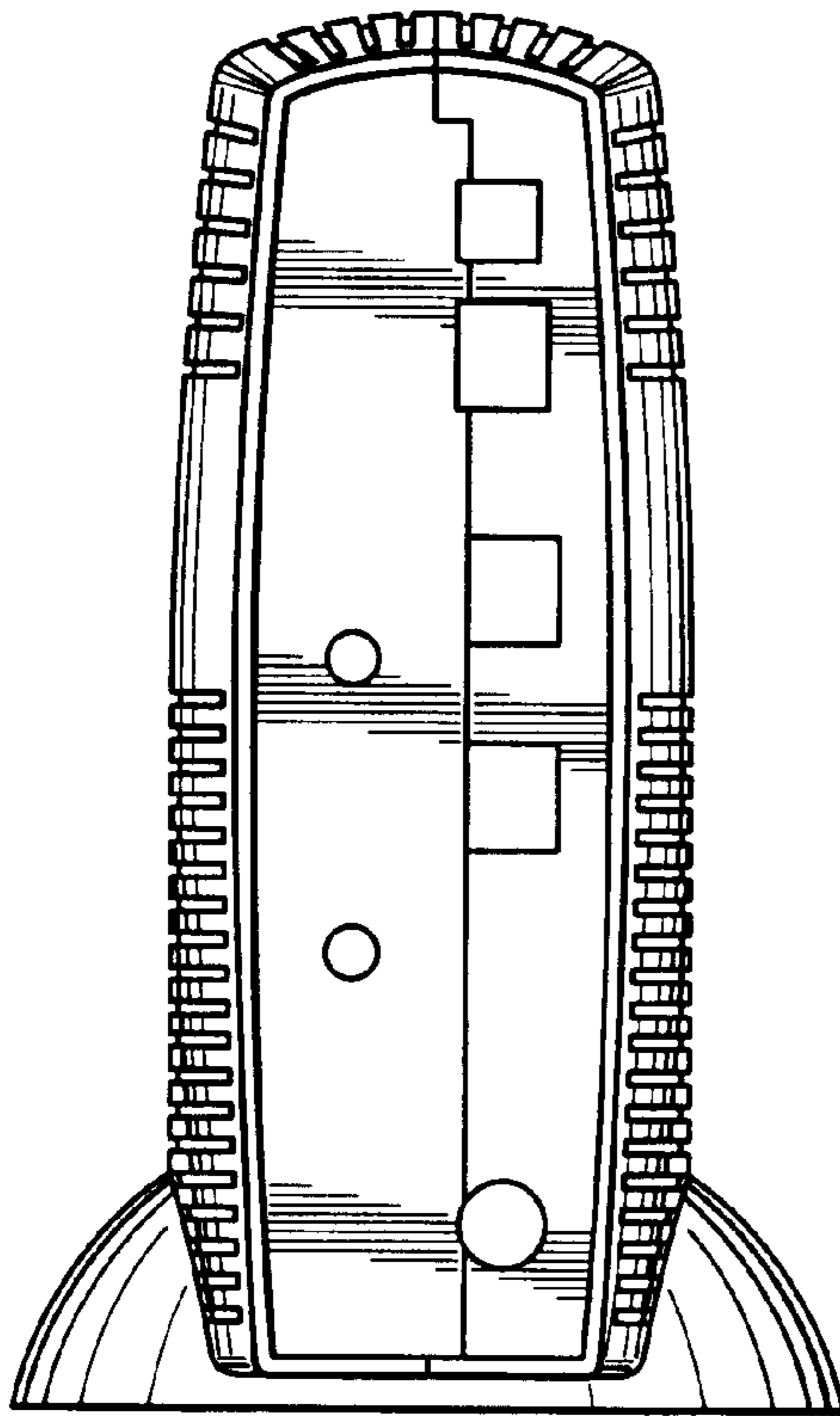


FIG. 7

