



US00D473543S

(12) **United States Design Patent**
Powell et al.

(10) **Patent No.:** **US D473,543 S**

(45) **Date of Patent:** **** Apr. 22, 2003**

- (54) **ACCESS DOOR OF RACK MOUNTED AUDIO EQUIPMENT**
- (75) Inventors: **Mark H. Powell**, Marina del Rey, CA (US); **Etienne H. Iliffe-Moon**, Los Angeles, CA (US); **Saro Nalbandian**, Glendale, CA (US); **Daniel W. Ashcraft**, Torrance, CA (US); **David Wathen**, Los Angeles, CA (US)

D394,858 S	*	6/1998	Wordinger et al.	D14/188
D416,264 S	*	11/1999	Althans et al.	D14/217
6,049,290 A	*	4/2000	Hulstead	455/344
D443,602 S	*	6/2001	Acorrano	D14/194
D445,099 S	*	7/2001	Benders	D14/217
D455,728 S	*	4/2002	Kobayashi	D14/217
D468,734 S	*	1/2003	Schmitt	D14/217

(73) Assignee: **Gibson Guitar Corp.**, Nashville, TN (US)

* cited by examiner

Primary Examiner—Prabhakar Deshmukh
(74) *Attorney, Agent, or Firm*—Wadley & Patterson; Lucian Wayne Beavers

(**) Term: **14 Years**

(57) **CLAIM**

(21) Appl. No.: **29/158,439**

The ornamental design for a access door of rack mounted audio equipment, as shown and described.

(22) Filed: **Apr. 3, 2002**

DESCRIPTION

- (51) **LOC (7) Cl.** **14-03**
- (52) **U.S. Cl.** **D14/217**
- (58) **Field of Search** D14/188, 193–198, D14/217–224, 265, 257; 455/344, 347–353, 90

FIG. 1 is a front upper perspective view showing the access door of rack mounted audio equipment of Applicants' invention.

FIG. 2 is a front elevation of the access door of rack mounted audio equipment of Applicants' invention; and,

FIG. 3 is a front lower perspective view showing the access door of rack mounted audio equipment of Applicants' invention.

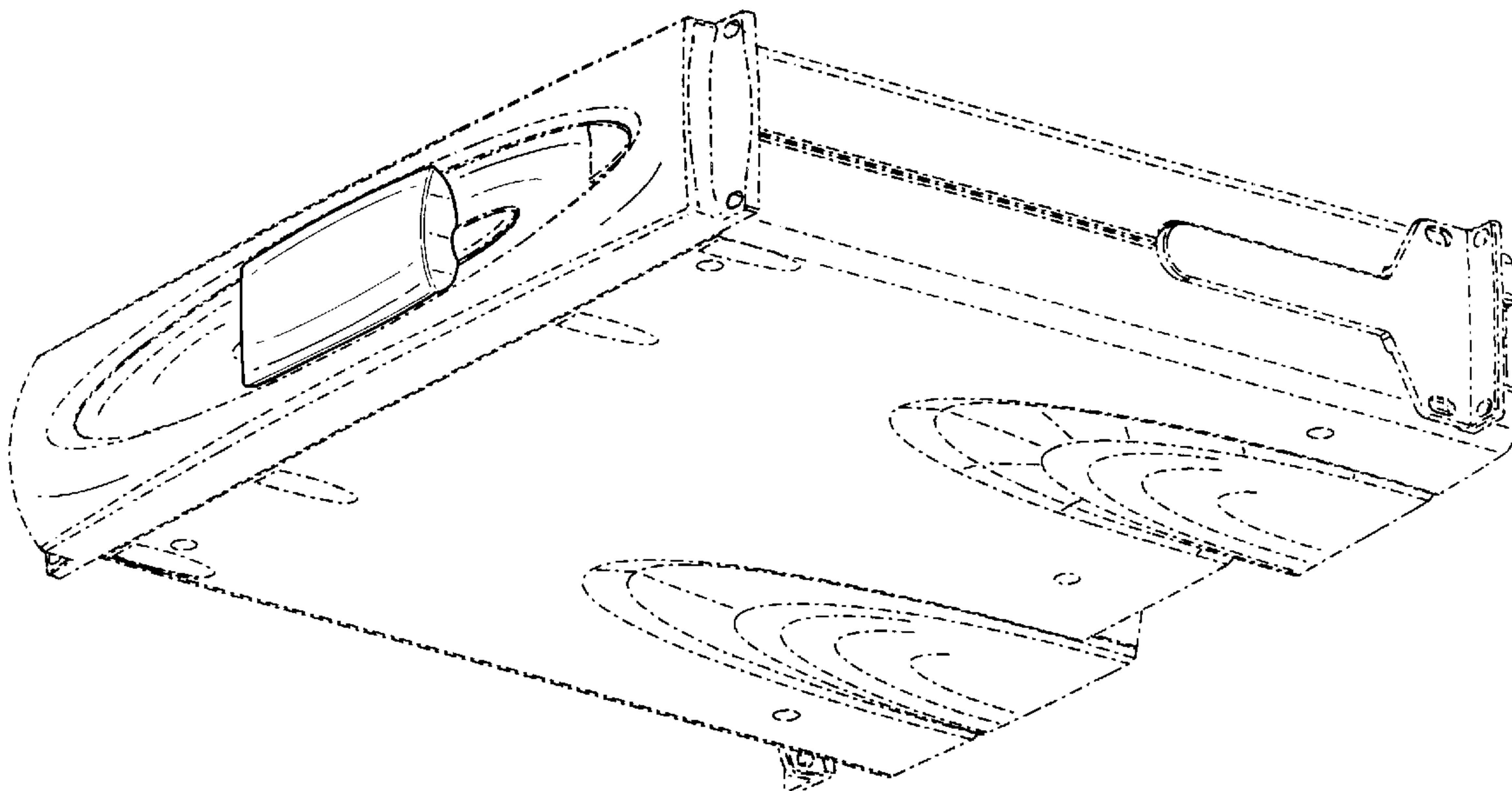
(56) **References Cited**

U.S. PATENT DOCUMENTS

1,477,785 A	*	12/1923	Szukalski, Jr.	D14/265 X
D144,074 S	*	3/1946	Scull et al.	D14/188
D315,160 S	*	3/1991	Azulos	D14/188
5,523,531 A	*	6/1996	Ozaki	455/347

The broken lines are shown for environmental purpose only and form no part of the claimed design.

1 Claim, 1 Drawing Sheet



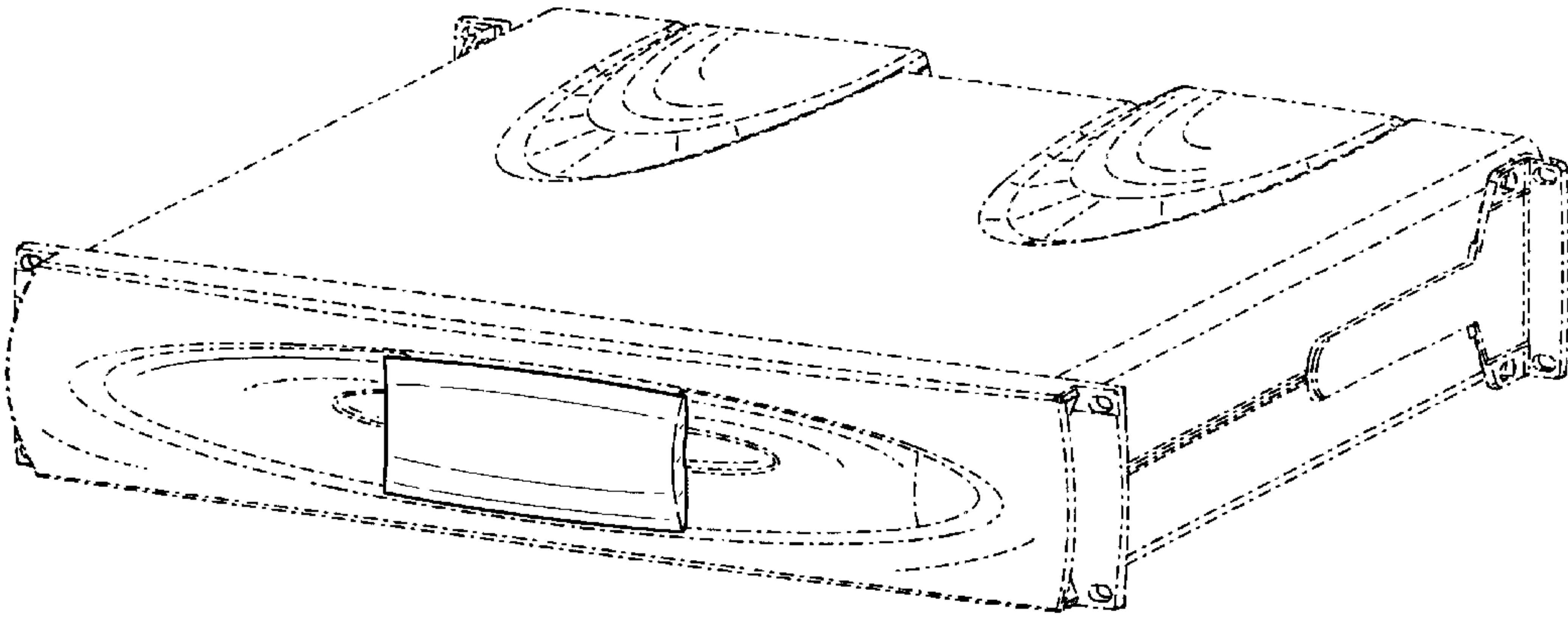


FIG. 1

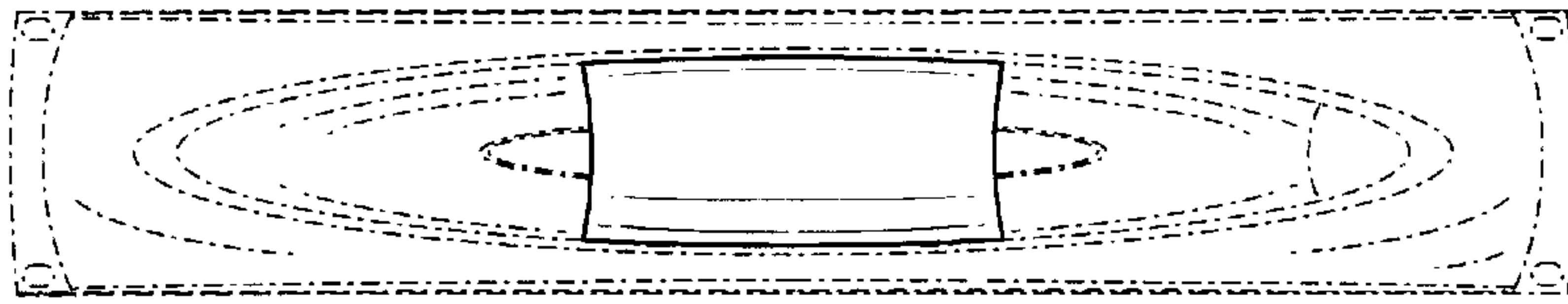


FIG. 2

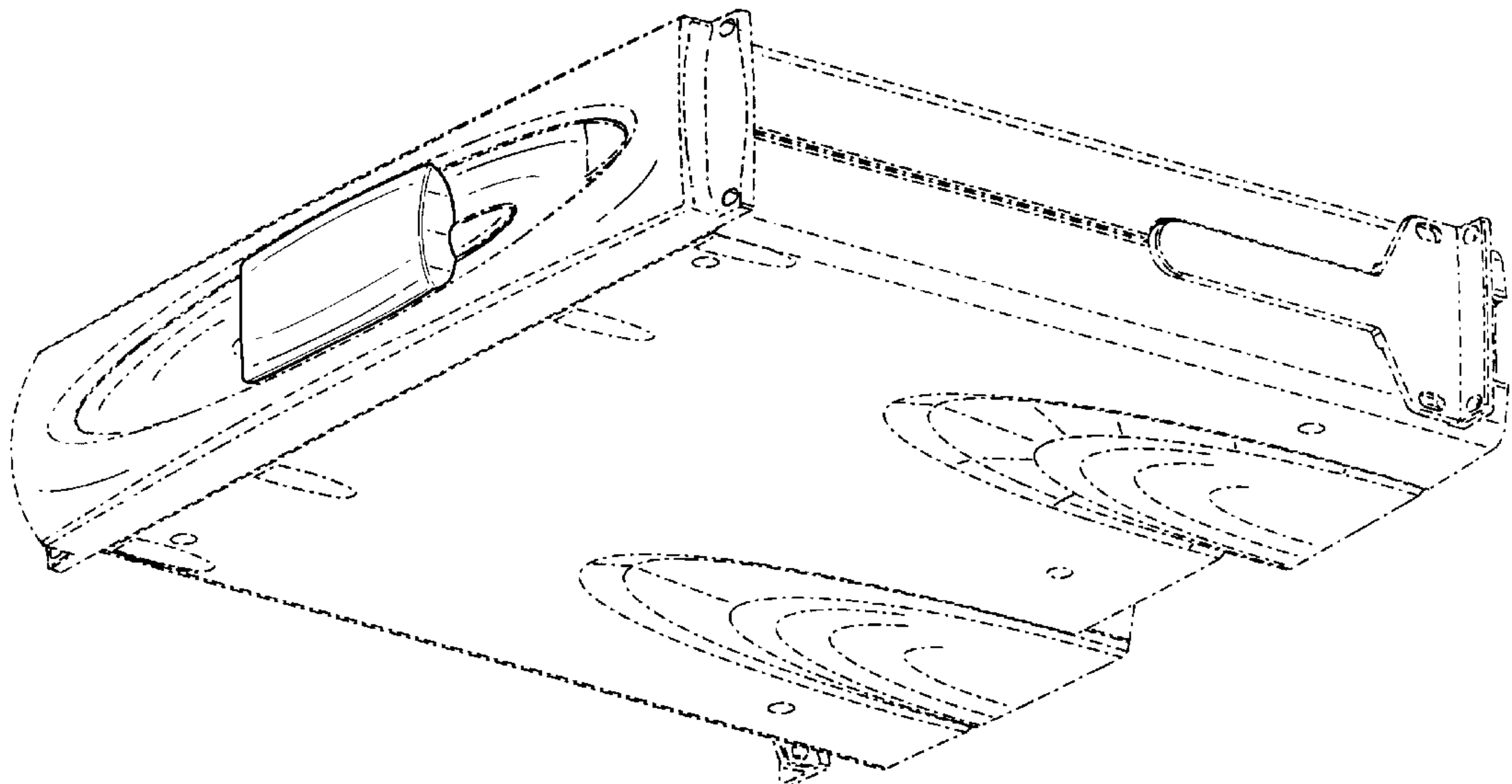


FIG. 3