



US00D473542S

(12) **United States Design Patent**
Powell et al.

(10) **Patent No.: US D473,542 S**

(45) **Date of Patent: ** Apr. 22, 2003**

(54) **AIR INLET OF RACK MOUNTED AUDIO EQUIPMENT**

(75) Inventors: **Mark H. Powell**, Marina del Rey, CA (US); **Etienne H. Iliffe-Moon**, Los Angeles, CA (US); **Saro Nalbandian**, Glendale, CA (US); **Daniel W. Ashcraft**, Torrance, CA (US); **David Wathen**, Los Angeles, CA (US)

(73) Assignee: **Gibson Guitar Corp.**, Nashville, TN (US)

(**) Term: **14 Years**

(21) Appl. No.: **29/158,436**

(22) Filed: **Apr. 3, 2002**

(51) **LOC (7) Cl. 14-03**

(52) **U.S. Cl. D14/217**

(58) **Field of Search** D14/188, 193-198, D14/217-224, 265, 257; 455/344, 347-353, 90

(56) **References Cited**

U.S. PATENT DOCUMENTS

1,477,785 A * 12/1923 Szukalski, Jr. D14/265 X

D144,074 S	*	3/1946	Scull et al.	D14/188
D315,160 S	*	3/1991	Azulos	D14/188
5,523,531 A	*	6/1996	Ozaki	455/347
D394,858 S	*	6/1998	Wordinger et al.	D14/188
D416,264 S	*	11/1999	Althans et al.	D14/217
6,049,290 A	*	4/2000	Hulstead	455/344
D443,602 S	*	6/2001	Acorrano	D14/194
D445,099 S	*	7/2001	Benders	D14/217
D455,728 S	*	4/2002	Kobayashi	D14/217
D468,734	*	1/2003	Schmitt	D14/217

* cited by examiner

Primary Examiner—Prabhakar Deshmukh

(74) *Attorney, Agent, or Firm*—Waddey & Patterson; Lucian Wayne Beavers

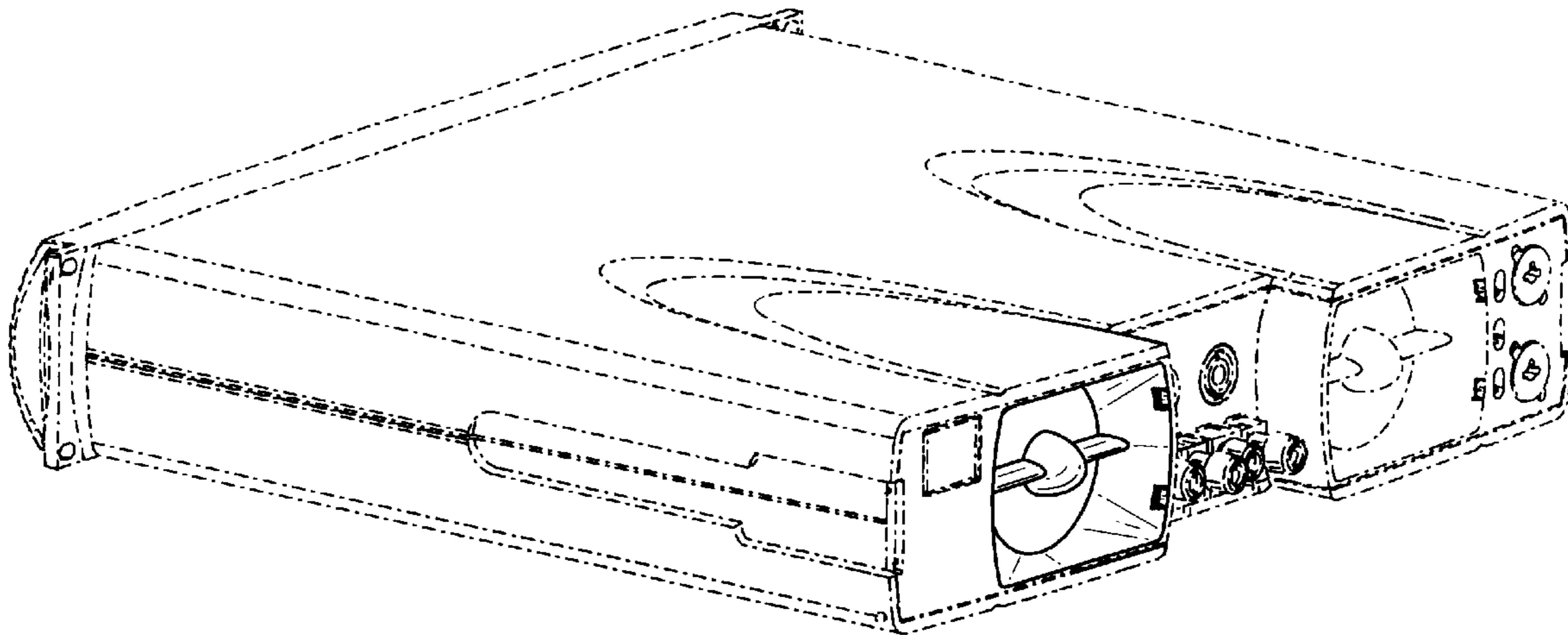
(57) **CLAIM**

The ornamental design for a air inlet of rack mounted audio equipment, as shown and described.

DESCRIPTION

FIG. 1 is a rear elevation of the air inlet of rack mounted audio equipment of Applicants' invention; and, FIG. 2 is an upper rear perspective view showing the air inlet of rack mounted audio equipment of Applicants' invention. The broken lines are shown for environmental purpose only and form no part of the claimed design.

1 Claim, 1 Drawing Sheet



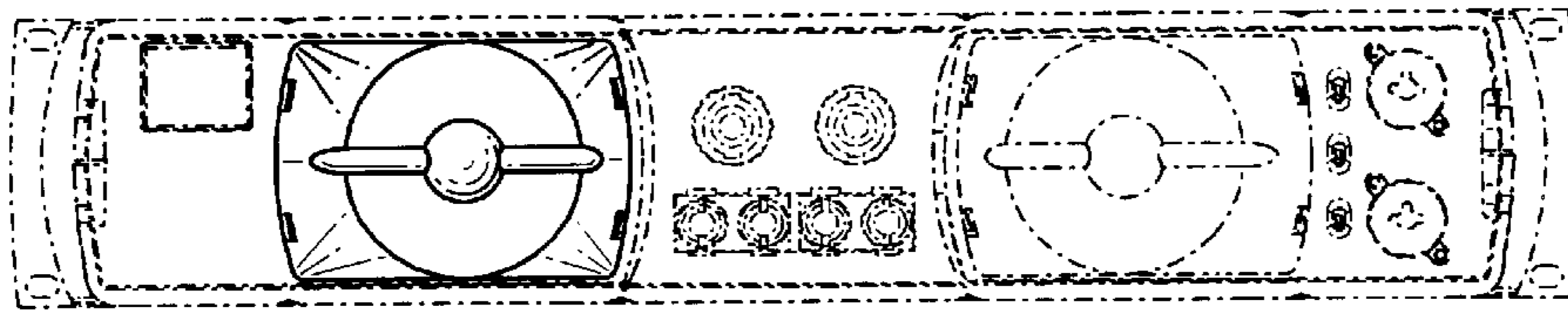


FIG. 1

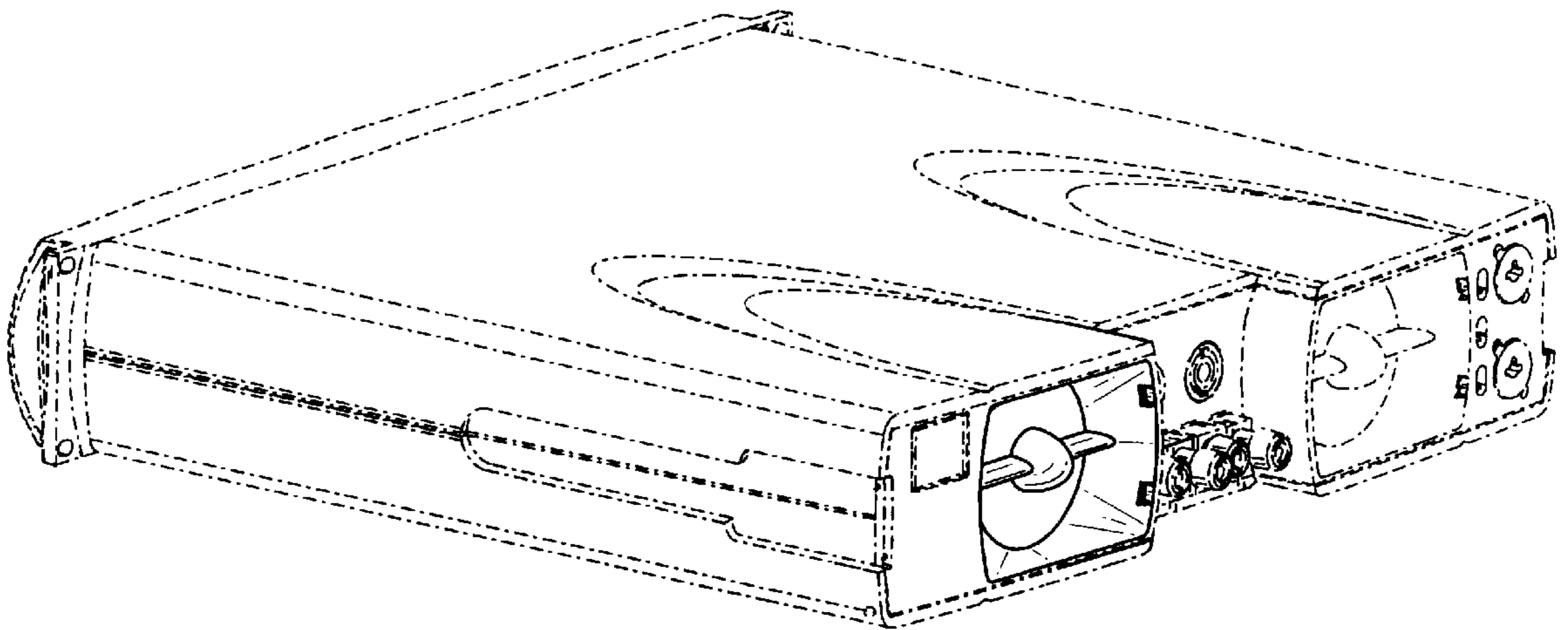


FIG. 2