



US00D473538S

(12) **United States Design Patent**
Powell et al.

(10) **Patent No.:** **US D473,538 S**

(45) **Date of Patent:** **** Apr. 22, 2003**

(54) **LOUVERED FRONT PANEL OF RACK MOUNTED AUDIO EQUIPMENT**

(75) Inventors: **Mark H. Powell**, Marina del Rey, CA (US); **Etienne H. Iliffe-Moon**, Los Angeles, CA (US); **Saro Nalbandian**, Glendale, CA (US); **Daniel W. Ashcraft**, Torrance, CA (US); **David Wathen**, Los Angeles, CA (US)

(73) Assignee: **Gibson Guitar Corp.**, Nashville, TN (US)

(**) Term: **14 Years**

(21) Appl. No.: **29/168,407**

(22) Filed: **Oct. 1, 2002**

(51) **LOC (7) Cl.** **14-03**

(52) **U.S. Cl.** **D14/188; D14/257**

(58) **Field of Search** D14/188, 193-198, D14/217-224, 265, 257; 455/344, 347-353, 90

(56) **References Cited**

U.S. PATENT DOCUMENTS

1,477,785 A * 12/1923 Szukalski, Jr. D14/265 X
D144,074 S * 3/1946 Scull et al. D14/188

D315,160 S * 3/1991 Azuelos D14/188
5,523,531 A * 6/1996 Ozaki 455/347
D394,858 S * 6/1998 Wordinger et al. D14/188
D416,264 S * 11/1999 Althans et al. D14/217
6,049,290 A * 4/2000 Hulstead 455/344
D443,602 S * 6/2001 Acorrano D14/194
D445,099 S * 7/2001 Benders D14/217
D455,728 S * 4/2002 Kobayashi D14/217
D468,734 * 1/2003 Schmitt D14/217

* cited by examiner

Primary Examiner—Prabhakar Deshmukh

(74) *Attorney, Agent, or Firm*—Wadley & Patterson; Lucian Wayne Beavers

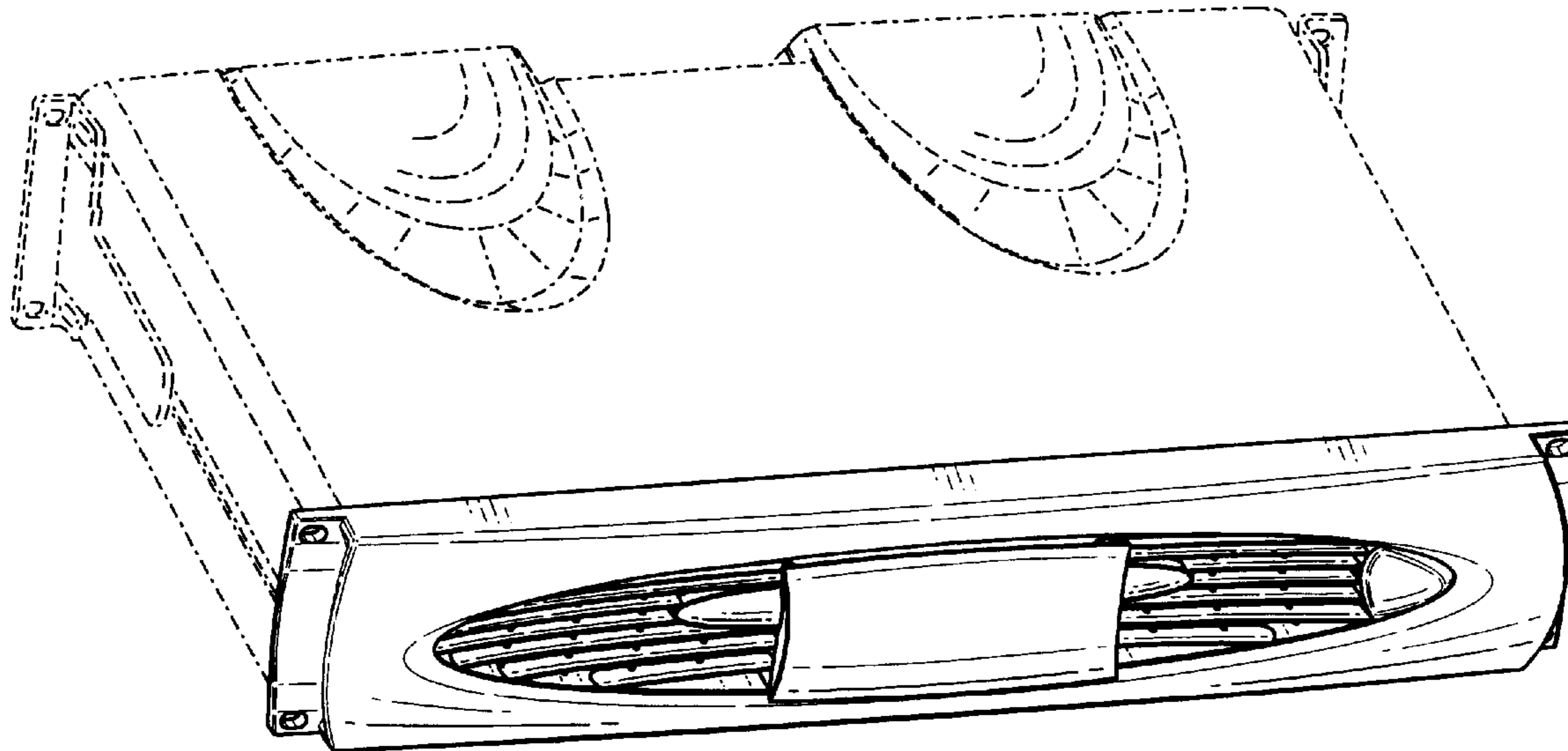
(57) **CLAIM**

The ornamental design for a louvered front panel of rack mounted audio equipment, as shown and described.

DESCRIPTION

FIG. 1 is a front upper perspective view showing the louvered front panel of rack mounted audio equipment of Applicants' invention; and, FIG. 2 is a front elevation of the louvered front panel of rack mounted audio equipment of Applicants' invention. The broken lines are shown for environmental purpose only and form no part of the claimed design.

1 Claim, 1 Drawing Sheet



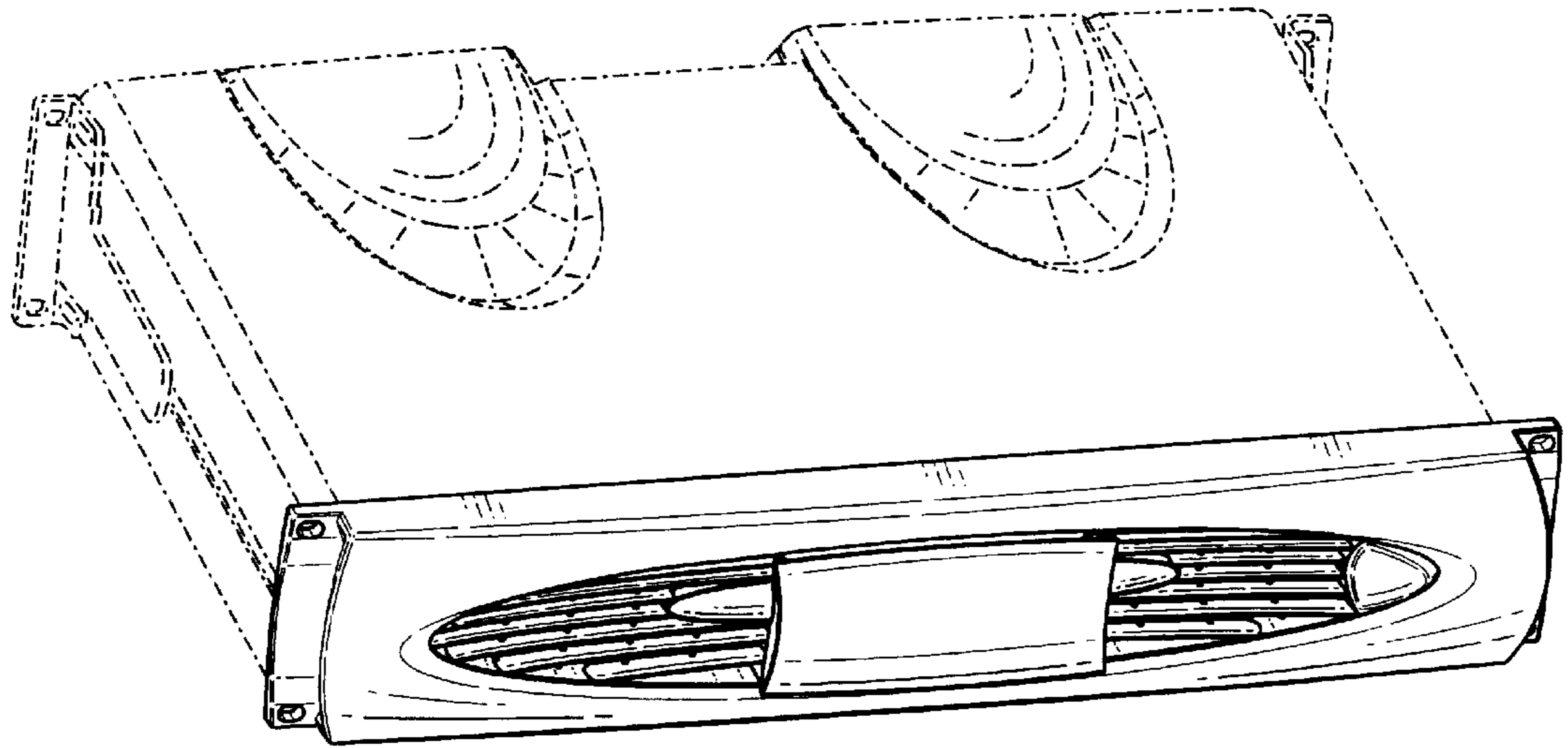


FIG. 1

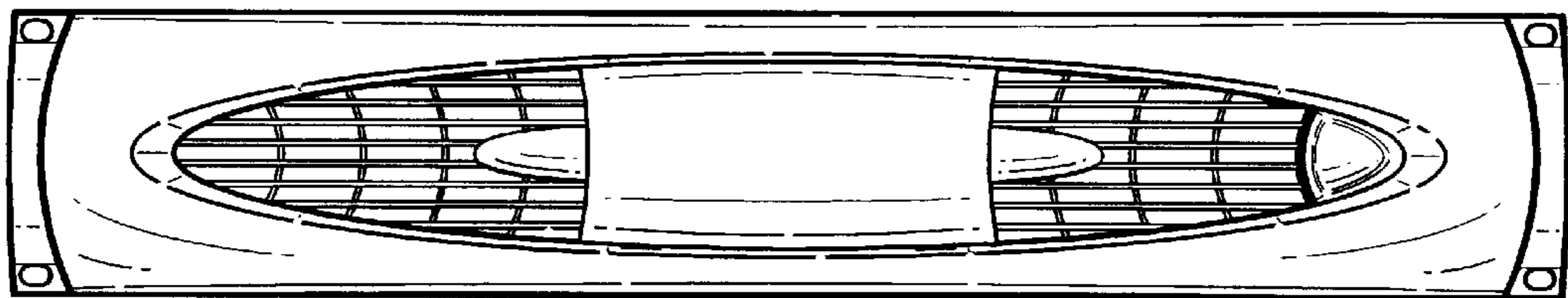


FIG. 2