



US00D473536S

(12) **United States Design Patent**  
**Powell et al.**

(10) **Patent No.:** **US D473,536 S**

(45) **Date of Patent:** **\*\* Apr. 22, 2003**

(54) **RACK MOUNTED AUDIO EQUIPMENT**

(75) Inventors: **Mark H. Powell**, Marina del Rey, CA (US); **Etienne H. Iliffe-Moon**, Los Angeles, CA (US); **Saro Nalbandian**, Glendale, CA (US); **Daniel W. Ashcraft**, Torrance, CA (US); **David Wathen**, Los Angeles, CA (US)

(73) Assignee: **Gibson Guitar Corp.**, Nashville, TN (US)

(\*\*) Term: **14 Years**

(21) Appl. No.: **29/158,320**

(22) Filed: **Apr. 3, 2002**

(51) **LOC (7) Cl.** ..... **14-03**

(52) **U.S. Cl.** ..... **D14/188**

(58) **Field of Search** ..... D14/188, 193-198,  
D14/217-224, 265, 257; 455/344, 347-353,  
90

(56) **References Cited**

**U.S. PATENT DOCUMENTS**

4,676,619	A	*	6/1987	Woolley	.....	455/344
5,523,531	A	*	6/1996	Ozaki	.....	455/347
D379,354	S	*	5/1997	Hippen	.....	D14/188
D379,984	S	*	6/1997	Funayama et al.	.....	D14/188
D422,590	S	*	4/2000	Kloss	.....	D14/194
6,049,290	A	*	4/2000	Halstead	.....	455/344
D436,942	S	*	1/2001	Oto et al.	.....	D14/188
D443,602	S	*	6/2001	Scorrano	.....	D14/194
D468,734		*	1/2003	Schmitt	.....	D14/217

\* cited by examiner

*Primary Examiner*—Prabhakar Deshmukh  
(74) *Attorney, Agent, or Firm*—Wadley & Patterson;  
Lucian Wayne Beavers

(57) **CLAIM**

The ornamental design for a rack mounted audio equipment, as shown and described.

**DESCRIPTION**

FIG. 1 is a front upper perspective view showing the rack mounted audio equipment of Applicants' invention.

FIG. 2 is a front elevation of the rack mounted audio equipment of Applicants' invention.

FIG. 3 is a right side elevation of the rack mounted audio equipment of Applicants' invention, the left side being a mirror image thereof.

FIG. 4 is a rear elevation of the rack mounted audio equipment of Applicants' invention.

FIG. 5 is a top view of the rack mounted audio equipment of Applicants' invention.

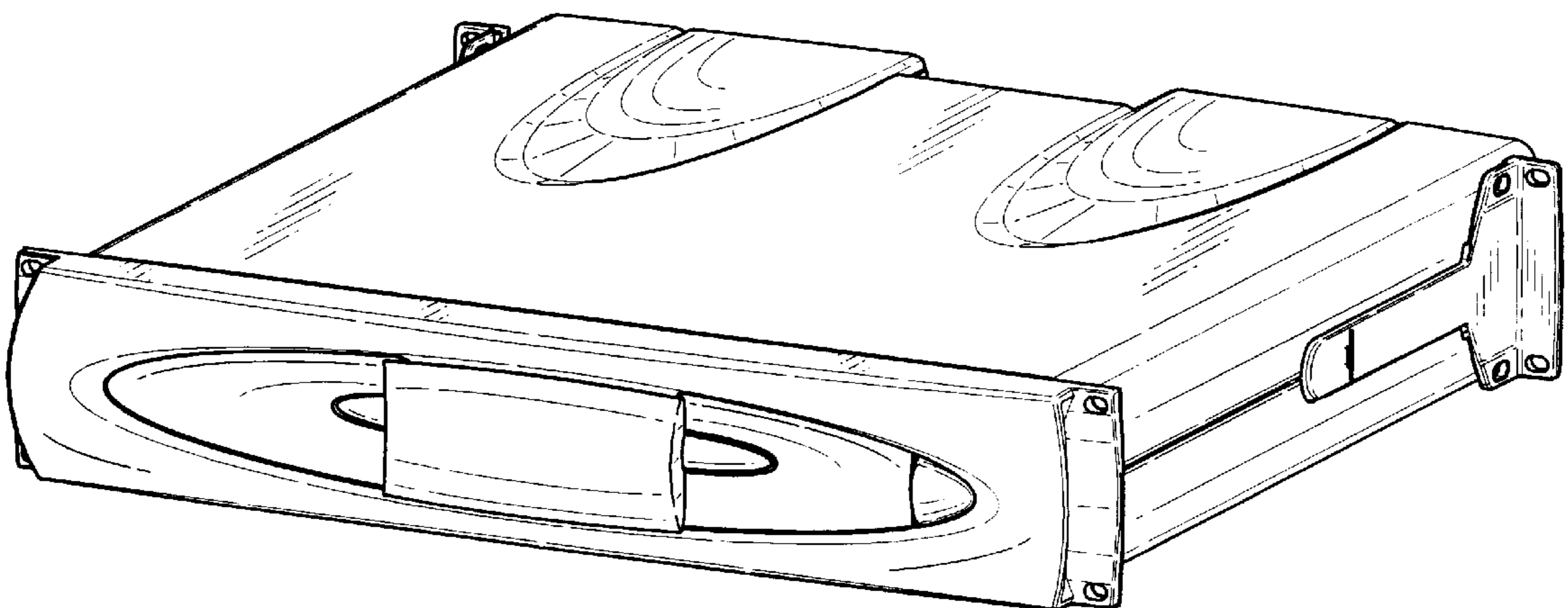
FIG. 6 is a bottom view of the rack mounted audio equipment of Applicants' invention.

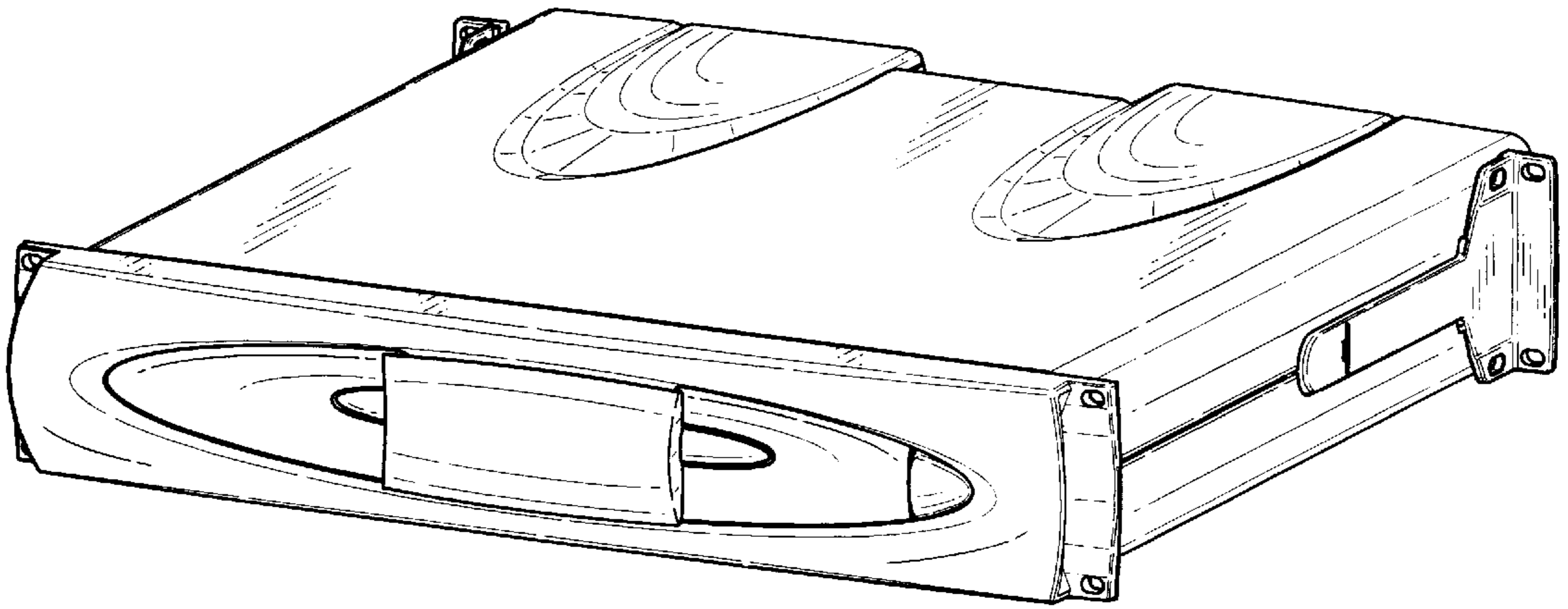
FIG. 7 is a front lower perspective view showing the rack mounted audio equipment of Applicants' invention.

FIG. 8 is a rear upper perspective view showing the rack mounted audio equipment of Applicants' invention; and,

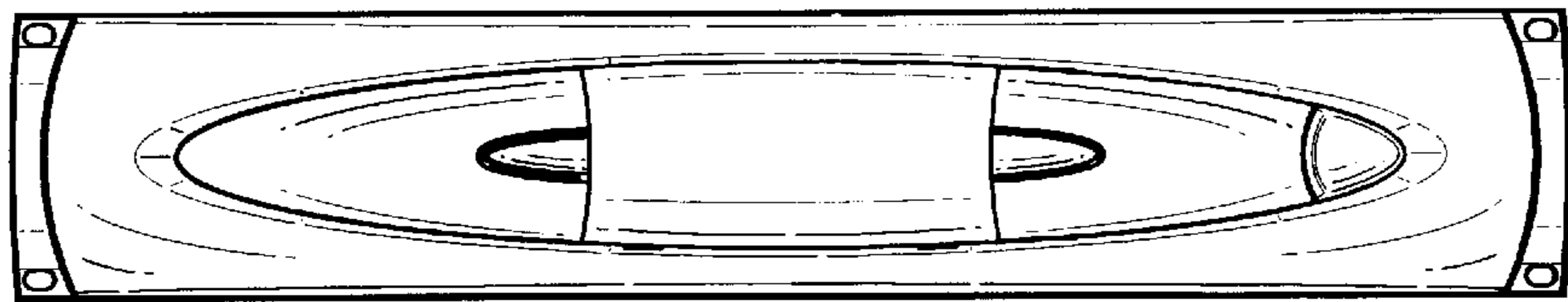
FIG. 9 is a partial front upper perspective view showing the rack mounted audio equipment of Applicants' invention, with an access door thereof in an open position.

**1 Claim, 3 Drawing Sheets**

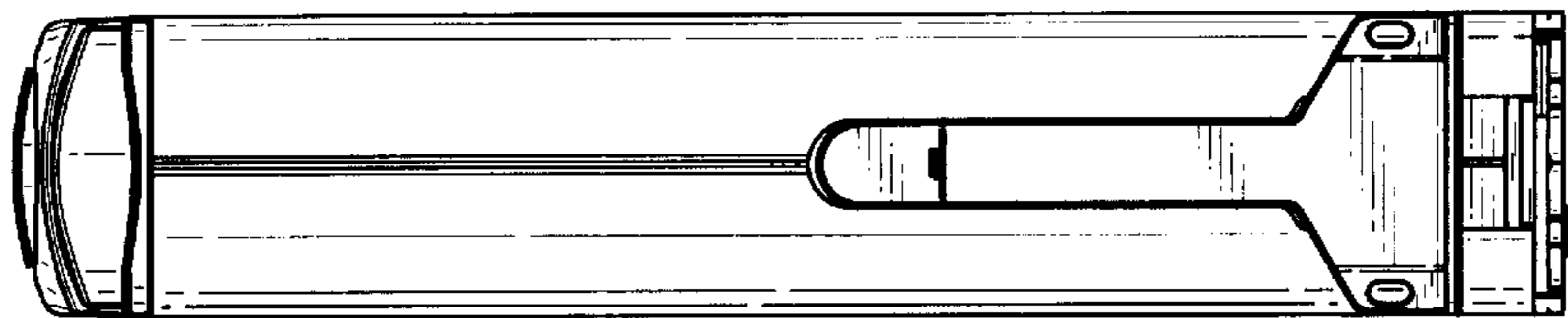




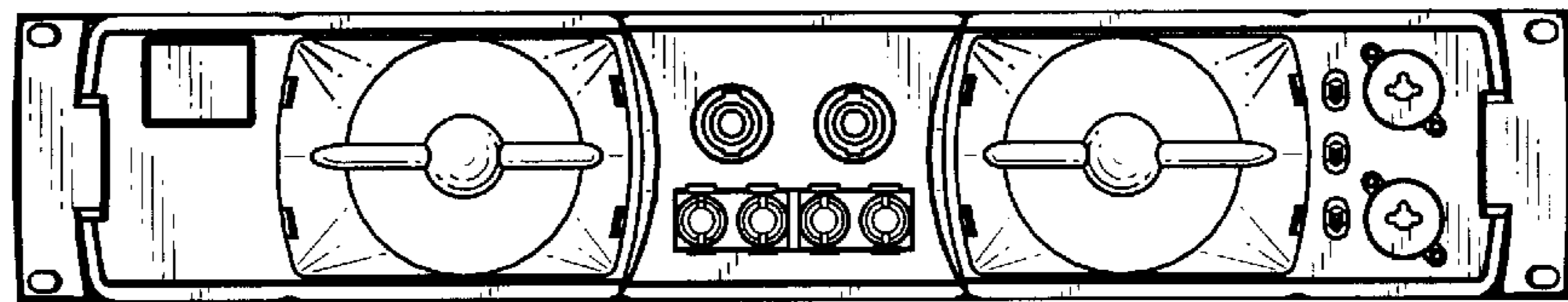
*FIG. 1*



*FIG. 2*

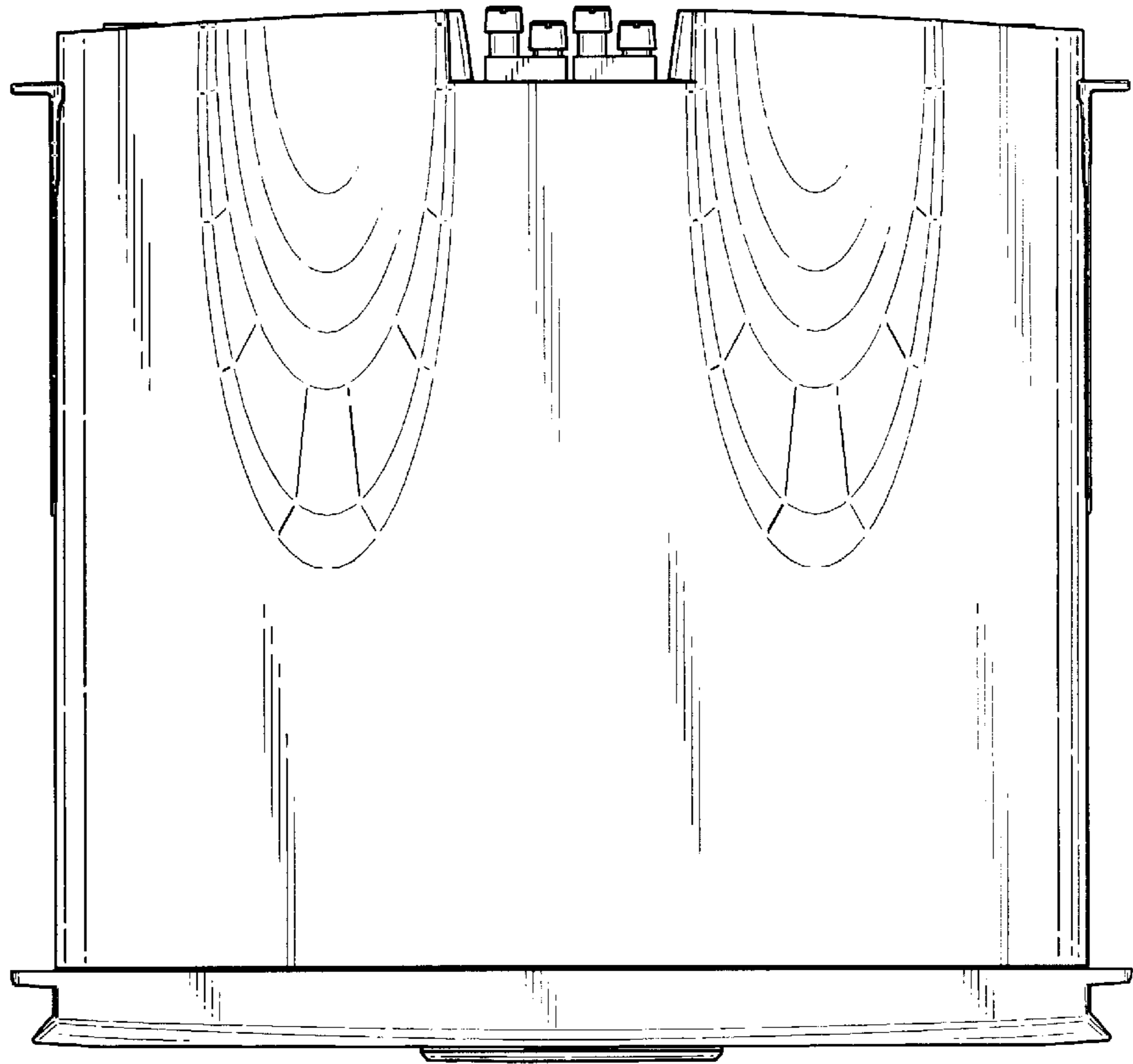


*FIG. 3*

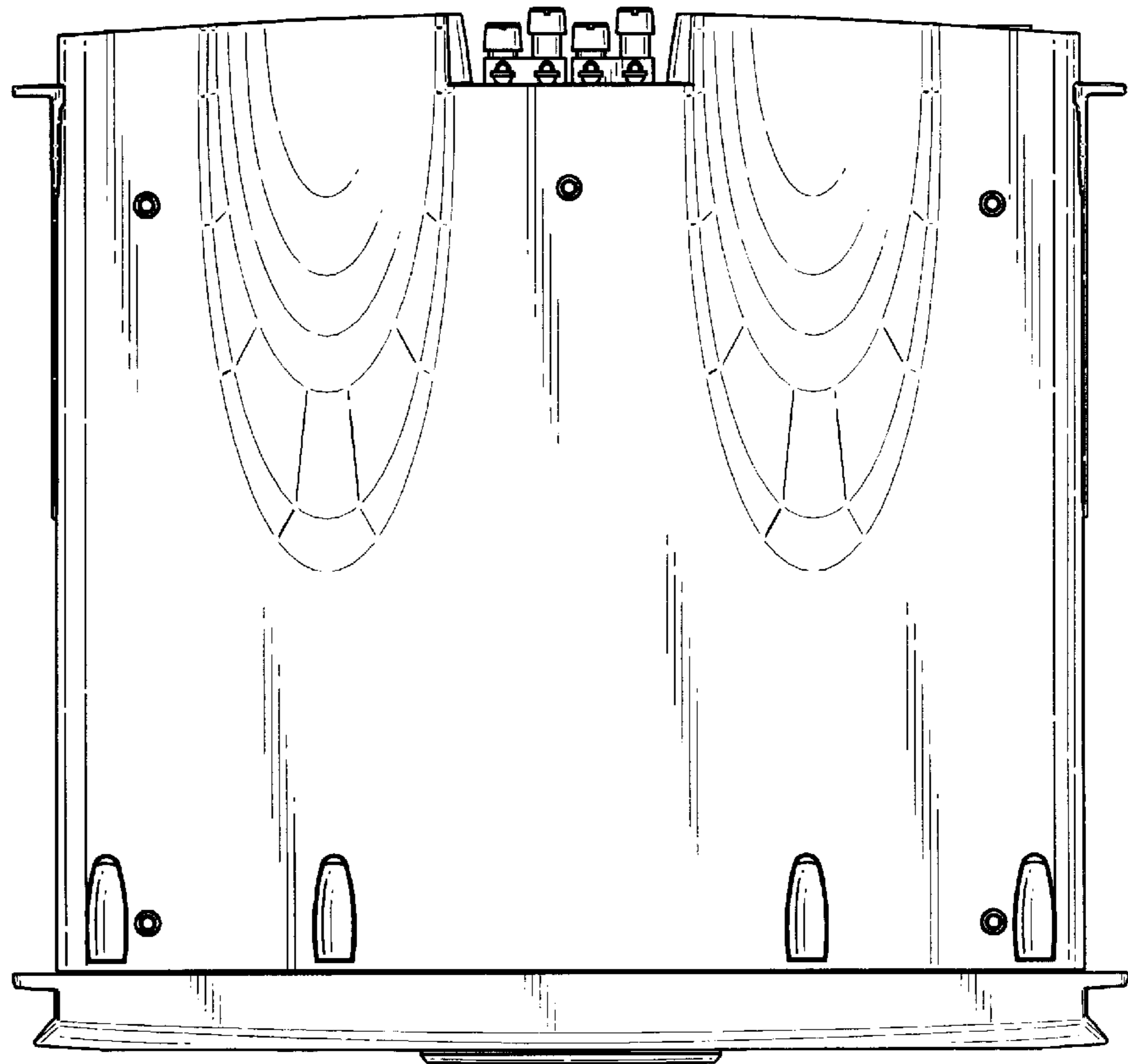


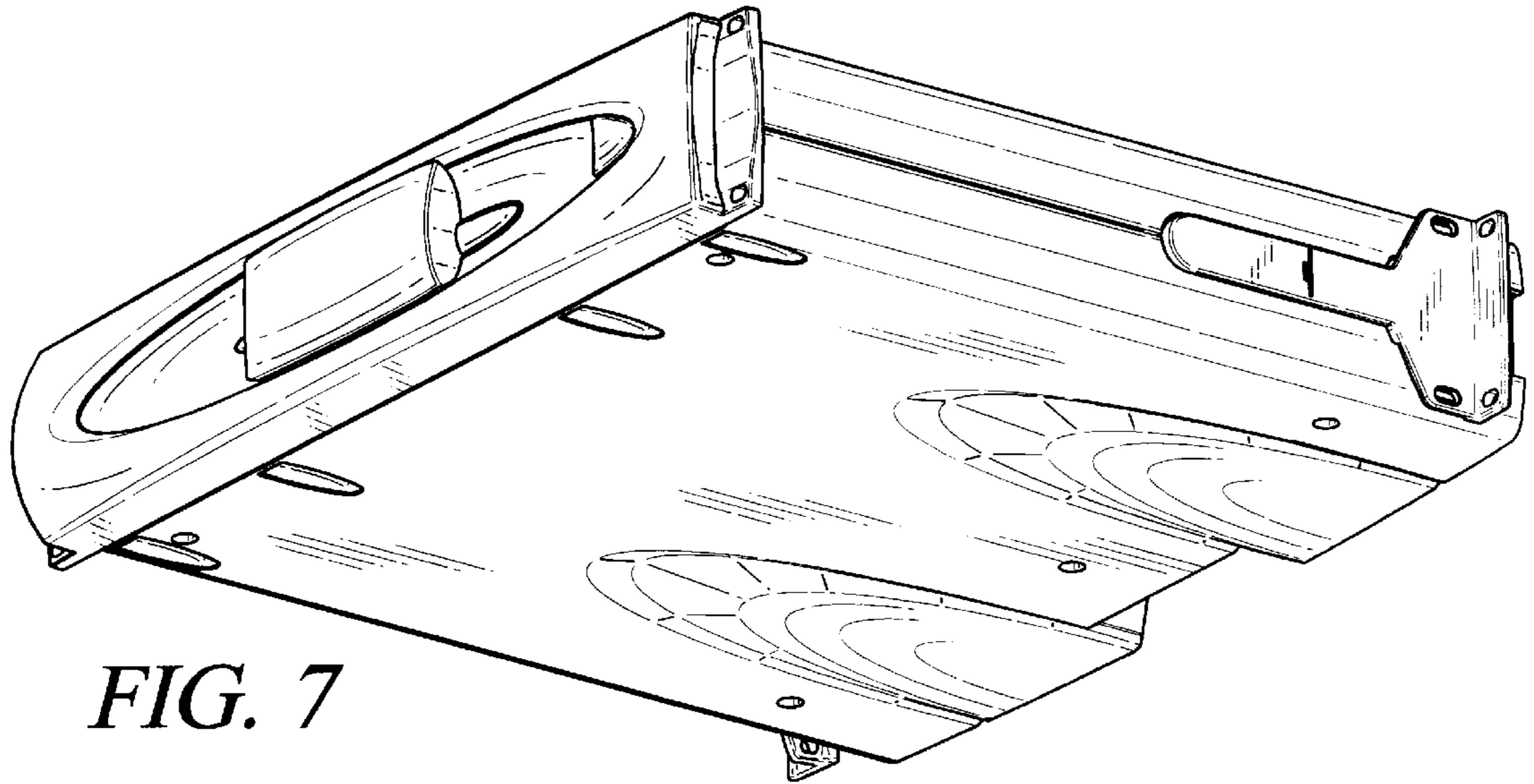
*FIG. 4*

*FIG. 5*

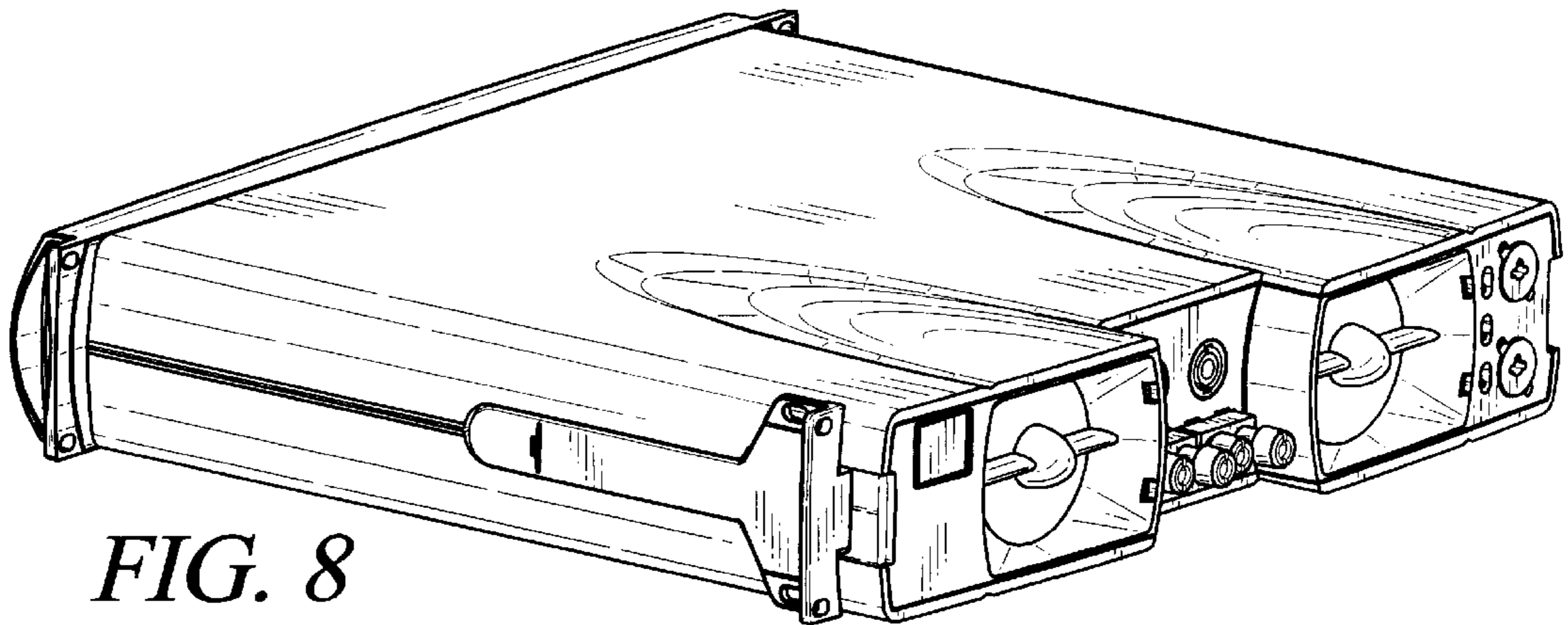


*FIG. 6*

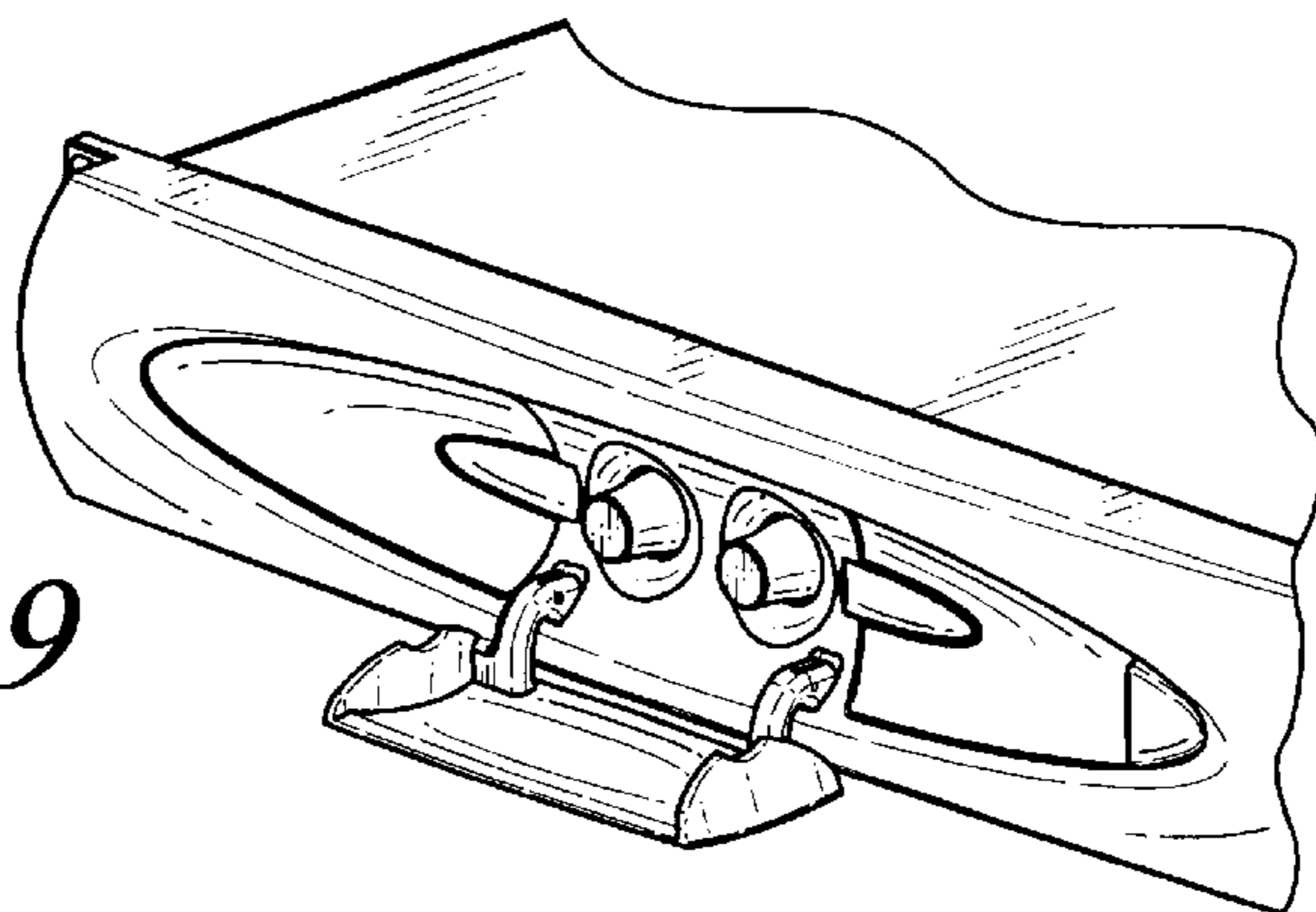




*FIG. 7*



*FIG. 8*



*FIG. 9*