



US00D473530S

(12) **United States Design Patent**
Lee et al.

(10) **Patent No.:** **US D473,530 S**

(45) **Date of Patent:** **** Apr. 22, 2003**

(54) **TELEVISION**

(75) Inventors: **Hyun Lee**, Seoul (KR); **Seung Ho Oh**, Seoul (KR)

(73) Assignee: **LG Electronics Inc.**, Seoul (KR)

(**) Term: **14 Years**

(21) Appl. No.: **29/164,435**

(22) Filed: **Jul. 25, 2002**

(30) **Foreign Application Priority Data**

Feb. 4, 2002 (KR) 02-3509

(51) **LOC (7) Cl.** **14-03**

(52) **U.S. Cl.** **D14/126**

(58) **Field of Search** D14/125-136,
D14/239, 371, 374-382; 312/7.2; 348/836,
838, 180, 184, 325, 739; 248/917-924;
341/12; 345/104, 133, 156, 168, 87, 173

(56) **References Cited**

U.S. PATENT DOCUMENTS

D362,848 S * 10/1995 Naito et al. D14/126

D367,478 S * 2/1996 Hara et al. D14/126
D400,524 S * 11/1998 Takami et al. D14/126
D415,754 S * 10/1999 Tanigawa et al. D14/126
D417,448 S * 12/1999 Takagi et al. D14/126
D438,181 S * 2/2001 Onoda et al. D14/126
D454,844 S * 3/2002 Wong D14/126

* cited by examiner

Primary Examiner—Raphael Barkai

(74) *Attorney, Agent, or Firm*—Birch, Stewart, Kolasch & Birch, LLP

(57) **CLAIM**

The ornamental design for television, as shown and described.

DESCRIPTION

FIG. 1 is a perspective view of the television;
FIG. 2 is a front view thereof;
FIG. 3 is a rear view thereof;
FIG. 4 is a left side view thereof where the right side view is a mirror image;
FIG. 5 is a top plan view thereof; and,
FIG. 6 is a bottom plan view thereof.

1 Claim, 4 Drawing Sheets

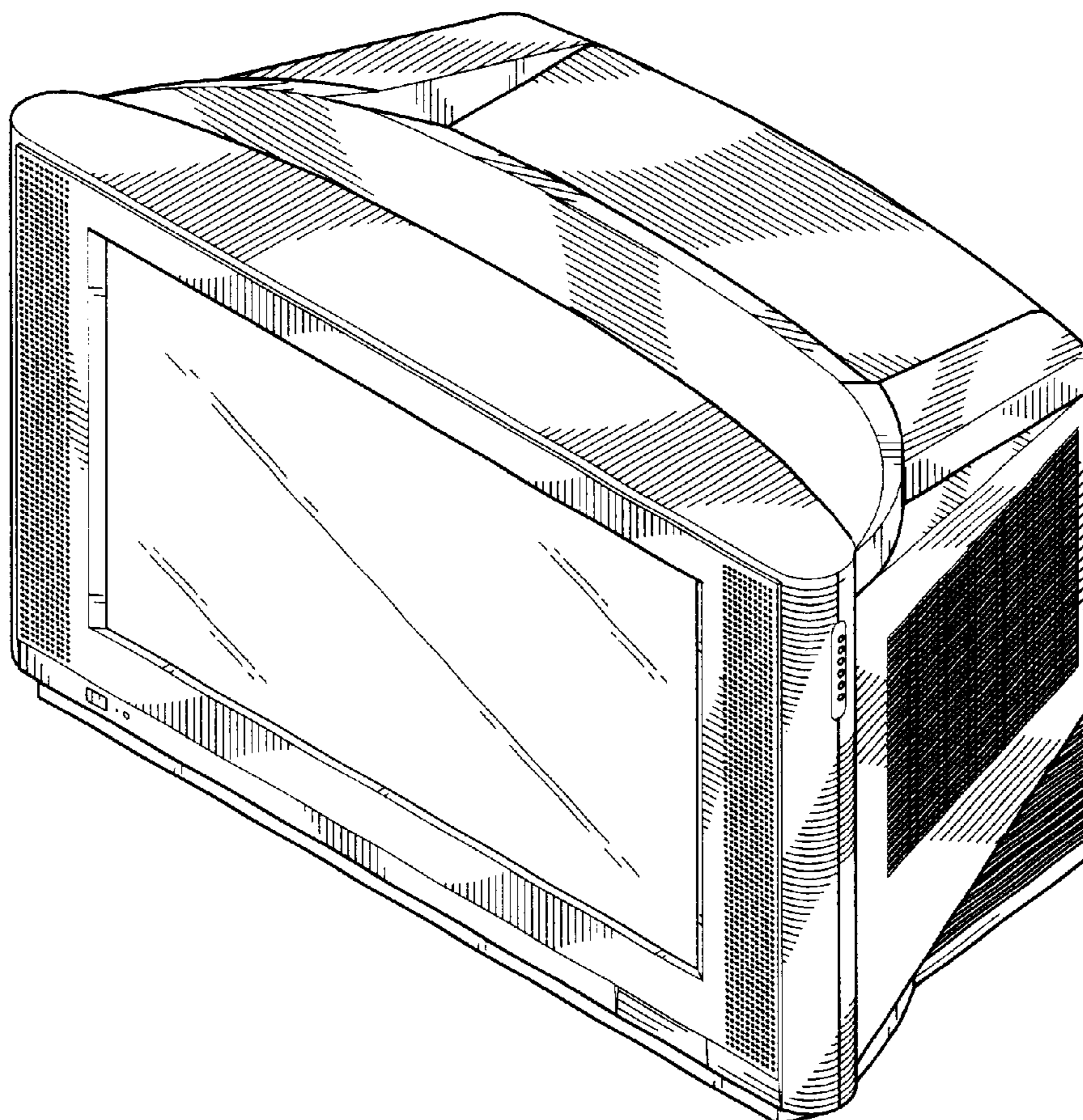


FIG. 1

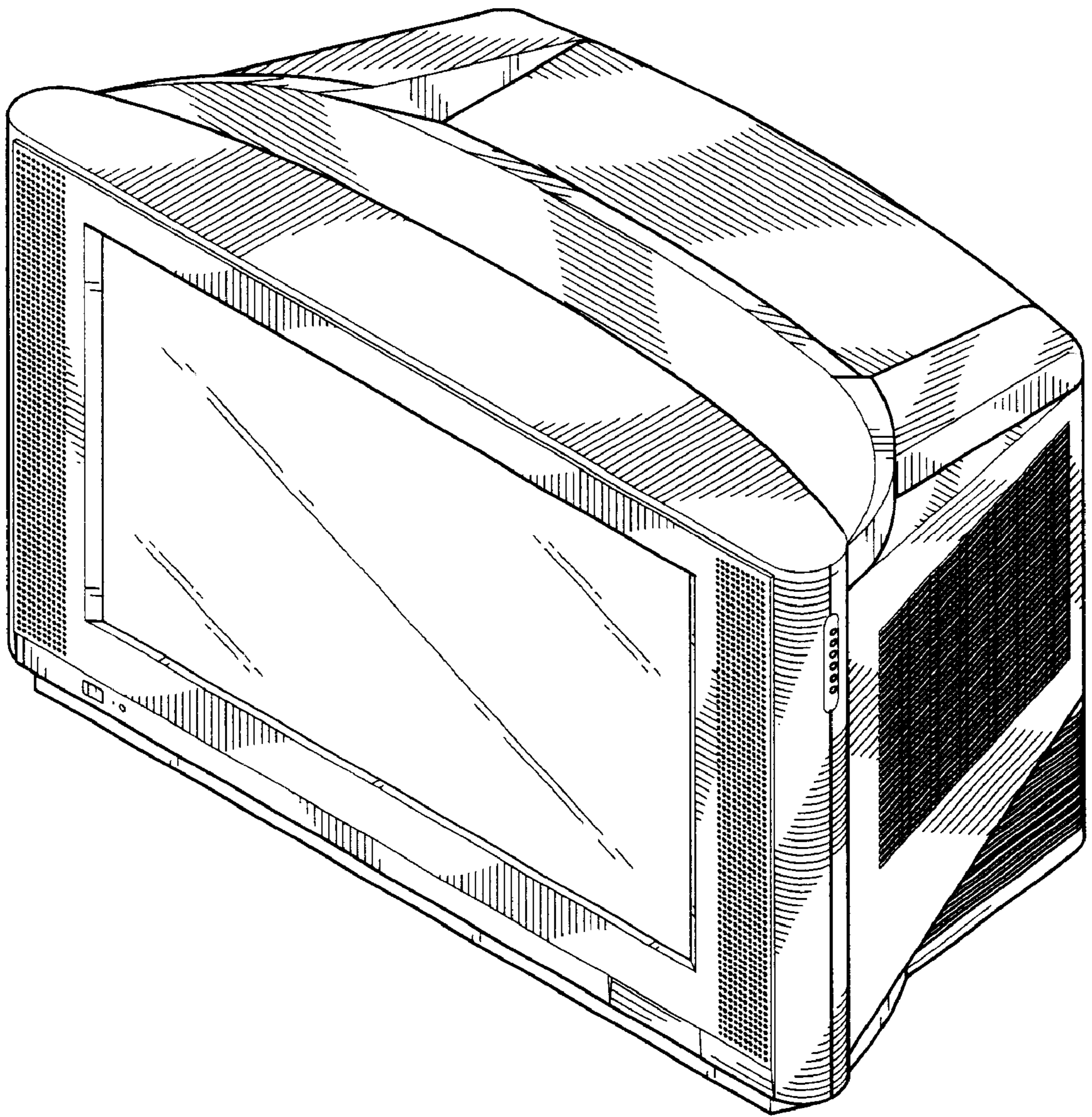


FIG. 2

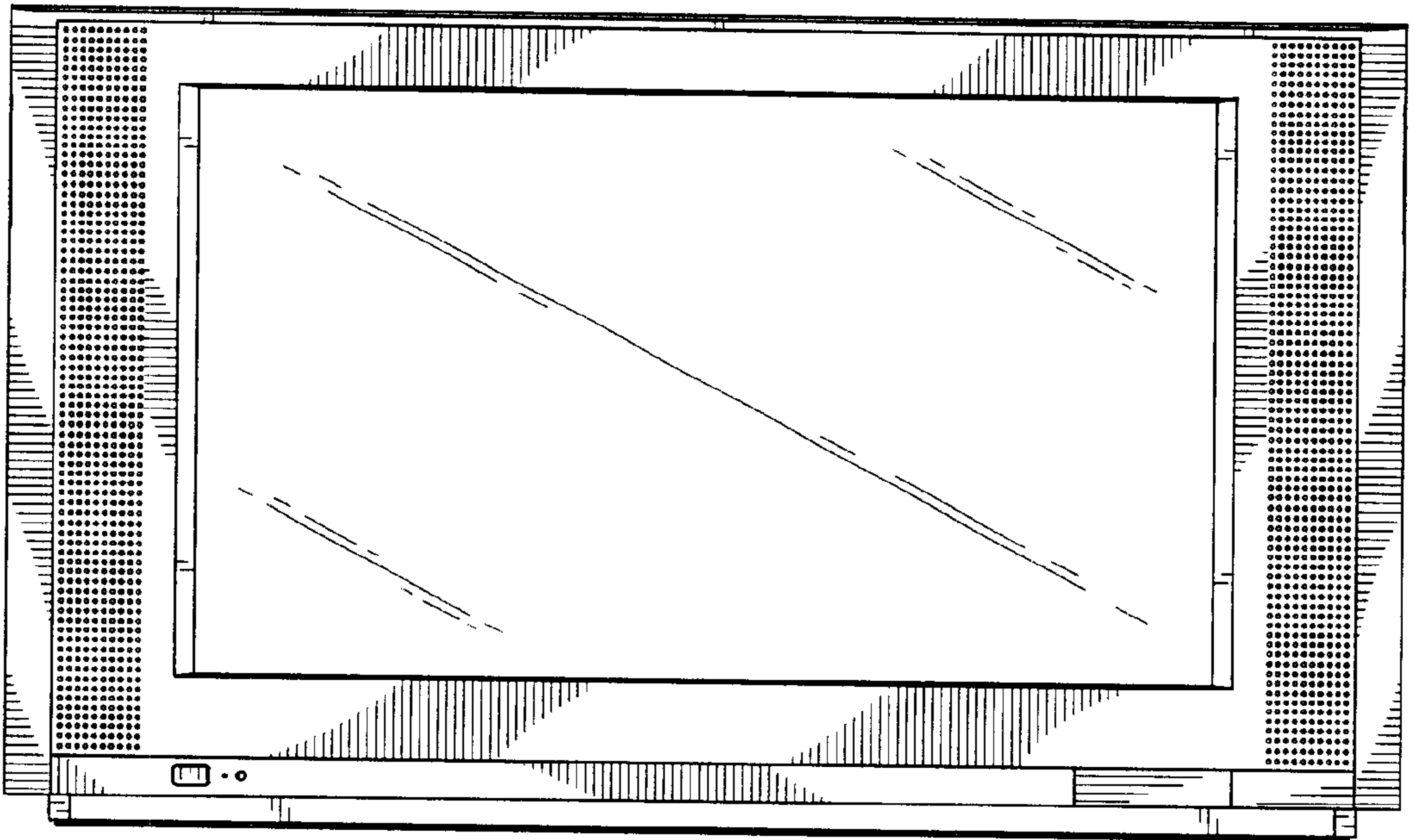


FIG. 3

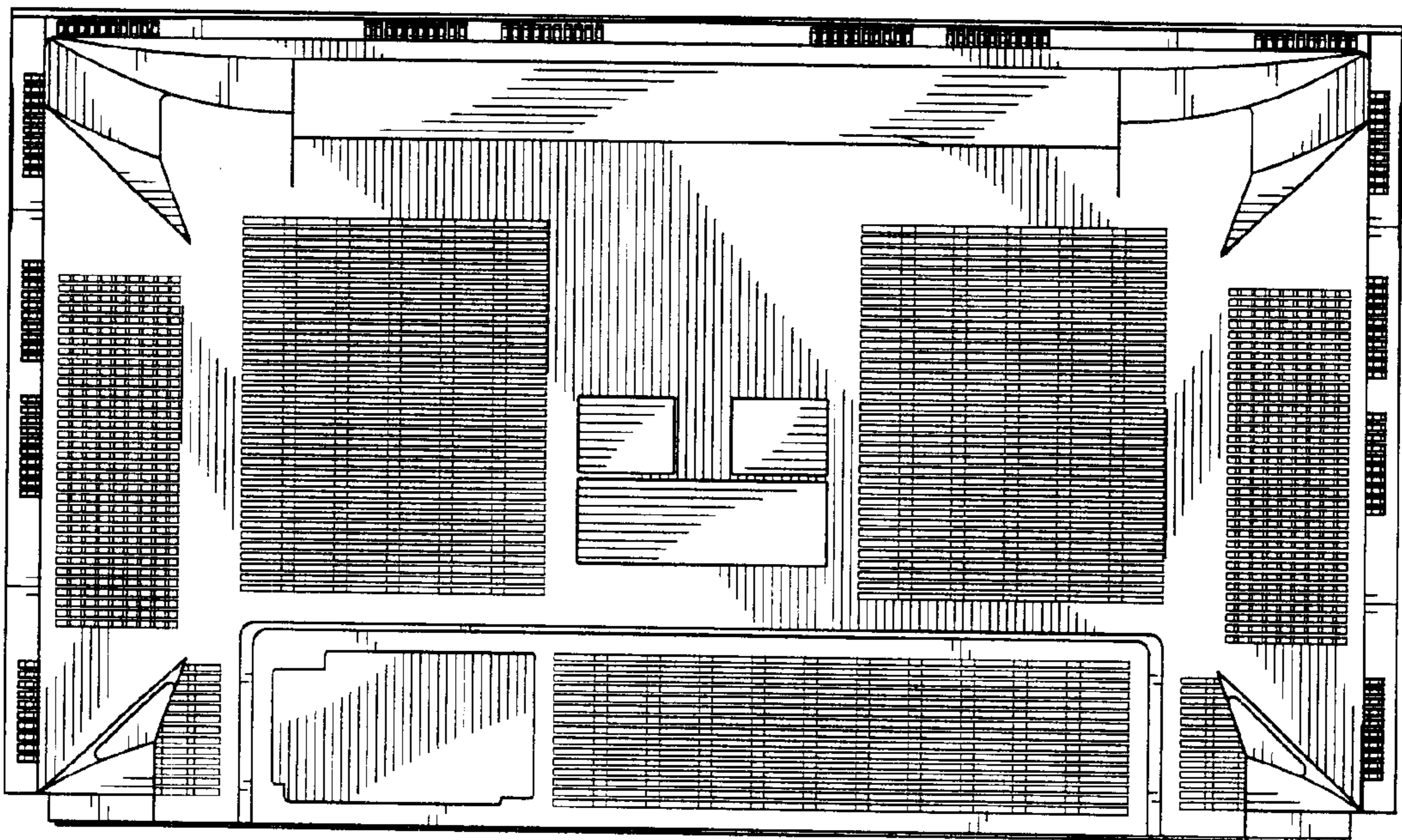


FIG. 4

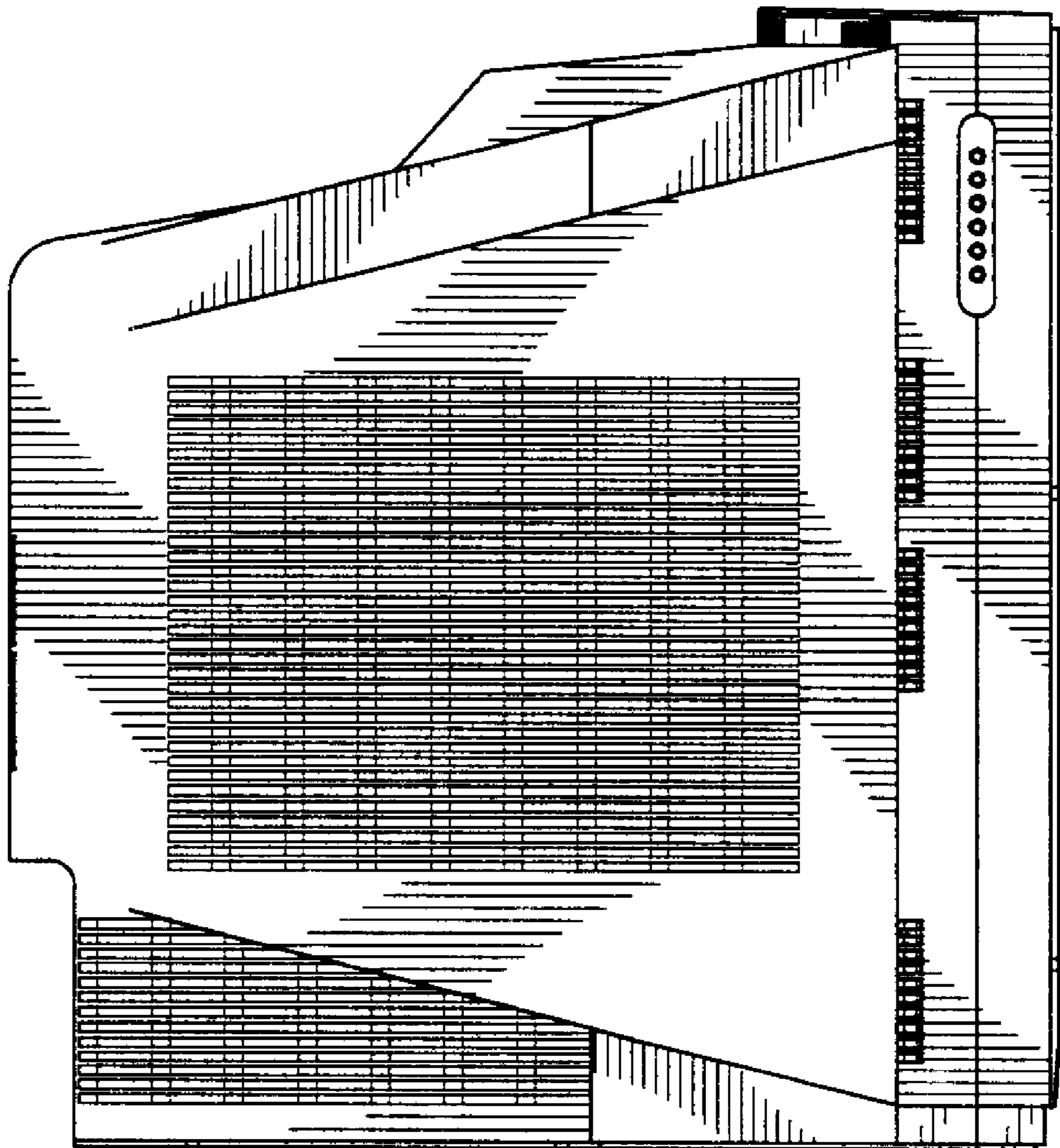


FIG. 5

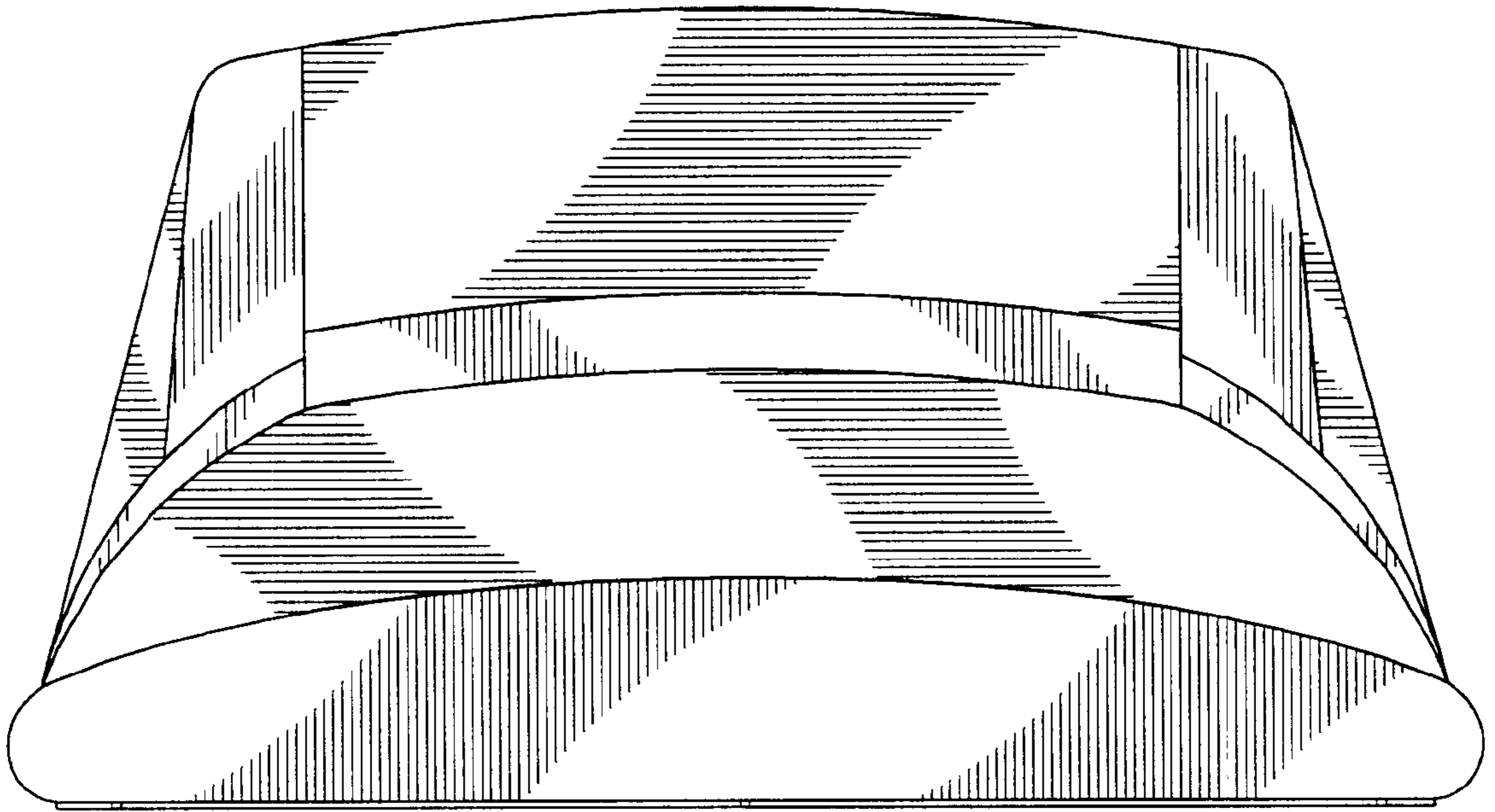


FIG. 6

